



US00D881692S

(12) **United States Design Patent**  
**Yang**

(10) **Patent No.:** **US D881,692 S**

(45) **Date of Patent:** **\*\* Apr. 21, 2020**

(54) **PACKING BOX FOR TRASH BAG**

(71) Applicant: **HUIZHOU HAOYUNBAO TRADING CO., LTD.**, Huizhou (CN)

(72) Inventor: **Wei-Hong Yang**, Huizhou (CN)

(73) Assignee: **Wei-Hong Yang**, Huizhou (CN)

(\*\*) Term: **15 Years**

(21) Appl. No.: **29/621,614**

(22) Filed: **Oct. 10, 2017**

(51) **LOC (12) Cl.** ..... **09-03**

(52) **U.S. Cl.**  
USPC ..... **D9/428; D34/10**

(58) **Field of Classification Search**  
USPC .... D34/1, 7, 10, 11; D9/424, 427, 428, 429, D9/430, 431, 432, 456, 501, 503, 504, D9/529, 721, 734, 745, 778; D7/391, D7/416, 586, 587, 629; D3/302  
CPC .. B65D 33/007; B65D 21/00; B65F 2230/134  
See application file for complete search history.

(56) **References Cited**

**U.S. PATENT DOCUMENTS**

D248,216 S *	6/1978	Allen	.....	D9/416
D286,844 S *	11/1986	Daenen	.....	D7/586
D459,225 S *	6/2002	Baxter	.....	D9/428
D472,808 S *	4/2003	Gelardi	.....	D9/418
D473,136 S *	4/2003	McLeish	.....	D9/418
D486,358 S *	2/2004	Dais	.....	D7/629
D491,024 S *	6/2004	Welsh	.....	D7/629
D601,022 S *	9/2009	Zamberlan	.....	D9/443
D665,252 S *	8/2012	Mulready	.....	D9/418
D674,666 S *	1/2013	Pallotto	.....	D7/629
D676,284 S *	2/2013	Pallotto	.....	D7/629
D702,555 S *	4/2014	Park	.....	D9/454
D703,055 S *	4/2014	Park	.....	D9/454
D723,339 S *	3/2015	Maxwell	.....	D7/629
D738,111 S *	9/2015	Otto	.....	D3/302

D740,029 S *	10/2015	Otto	.....	D3/302
D741,708 S *	10/2015	Thurin	.....	D9/503
D742,222 S *	11/2015	Liu	.....	D9/424
D742,224 S *	11/2015	Thurin	.....	D7/629
D763,039 S *	8/2016	Ionov	.....	D7/510

(Continued)

*Primary Examiner* — Sandra S Snapp

*Assistant Examiner* — Mehri F Bajoul

(74) *Attorney, Agent, or Firm* — Slater Matsil, LLP

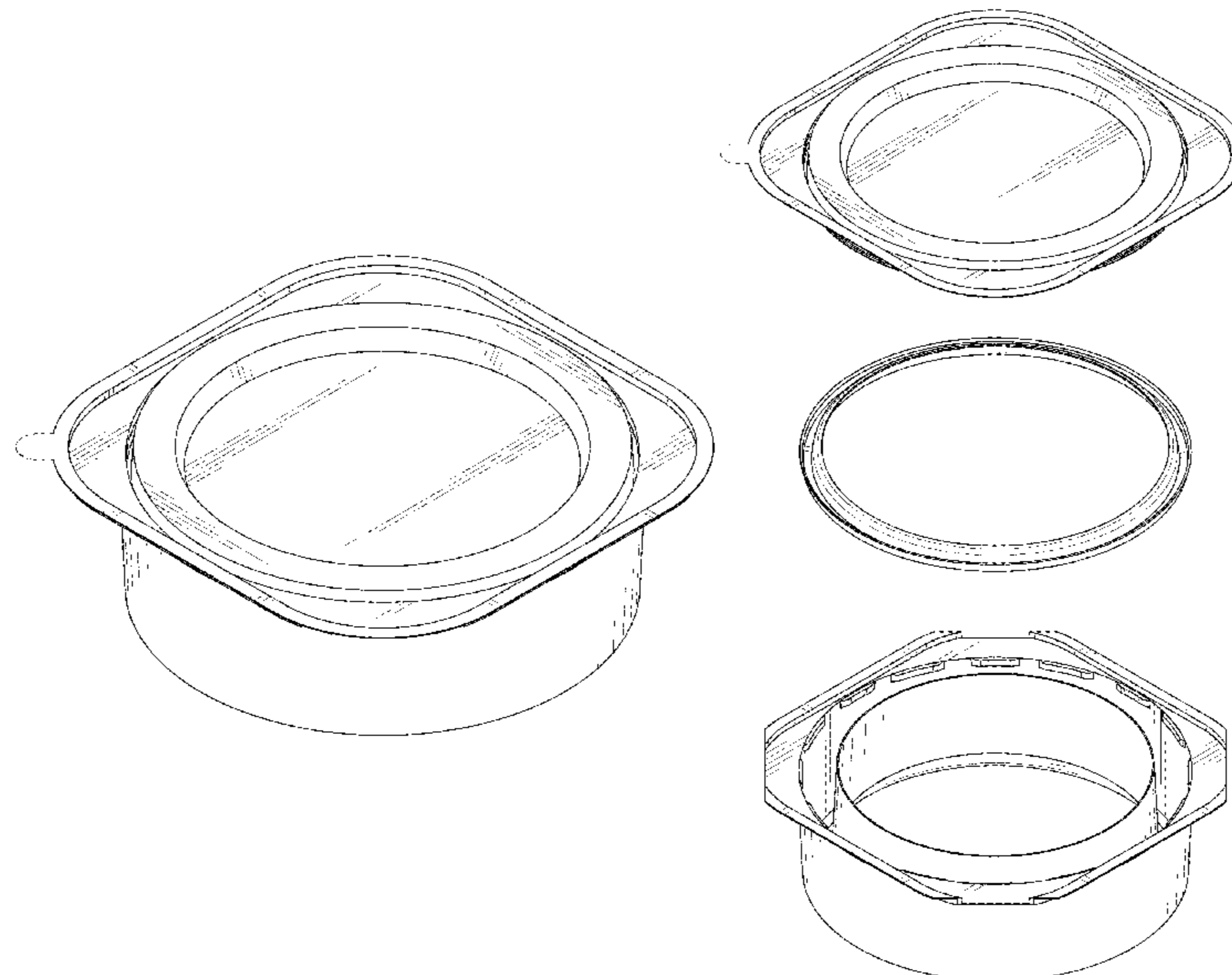
(57) **CLAIM**

The ornamental design for a packing box for a trash bag, substantially as shown and described.

**DESCRIPTION**

FIG. 1 is a perspective view of a packing box for trash bag with a lid showing my new design;  
 FIG. 2 is a bottom perspective view thereof;  
 FIG. 3 is a front elevation view thereof;  
 FIG. 4 is a rear elevation view thereof;  
 FIG. 5 is a left side elevation view thereof;  
 FIG. 6 is a right side elevation view thereof;  
 FIG. 7 is a top view thereof;  
 FIG. 8 is a bottom view thereof;  
 FIG. 9 is a top perspective view of the packing box for trash bag with the lid removed for ease of illustration;  
 FIG. 10 is a bottom perspective view thereof;  
 FIG. 11 is a front elevation view thereof;  
 FIG. 12 is a rear elevation view thereof;  
 FIG. 13 is a left side elevation view thereof;  
 FIG. 14 is a right side elevation view thereof;  
 FIG. 15 is a top plan view thereof;  
 FIG. 16 is a bottom plan view thereof;  
 FIG. 17 is an exploded top perspective view of the packing box for a trash bag of FIG. 1; and,  
 FIG. 18 is an exploded bottom perspective view thereof.  
 The broken lines in the drawings illustrate portions of the packing box that do not form part of the claimed design.

**1 Claim, 18 Drawing Sheets**



(56)

**References Cited**

U.S. PATENT DOCUMENTS

D769,072	S *	10/2016	Boytor, II	.....	D7/587
D772,002	S *	11/2016	Affatato	.....	D7/354
D783,920	S *	4/2017	Stravitz	.....	D34/10
D803,677	S *	11/2017	Yang	.....	D9/503
D803,681	S *	11/2017	Yang	.....	D9/432
D821,159	S *	6/2018	Wahl	.....	D7/629
D828,970	S *	9/2018	Harbhajan	.....	D34/10
D830,791	S *	10/2018	Lee	.....	D7/629
D850,251	S *	6/2019	Lin	.....	D9/428
D851,983	S *	6/2019	Vazin	.....	D7/391
D858,213	S *	9/2019	Wu	.....	D7/629
2002/0054943	A1 *	5/2002	Flynn	.....	B65B 25/04 426/396
2006/0000842	A1 *	1/2006	Maxwell	.....	B65D 43/0208 220/780
2010/0269712	A1 *	10/2010	Popeil	.....	A47J 37/1209 99/403

\* cited by examiner

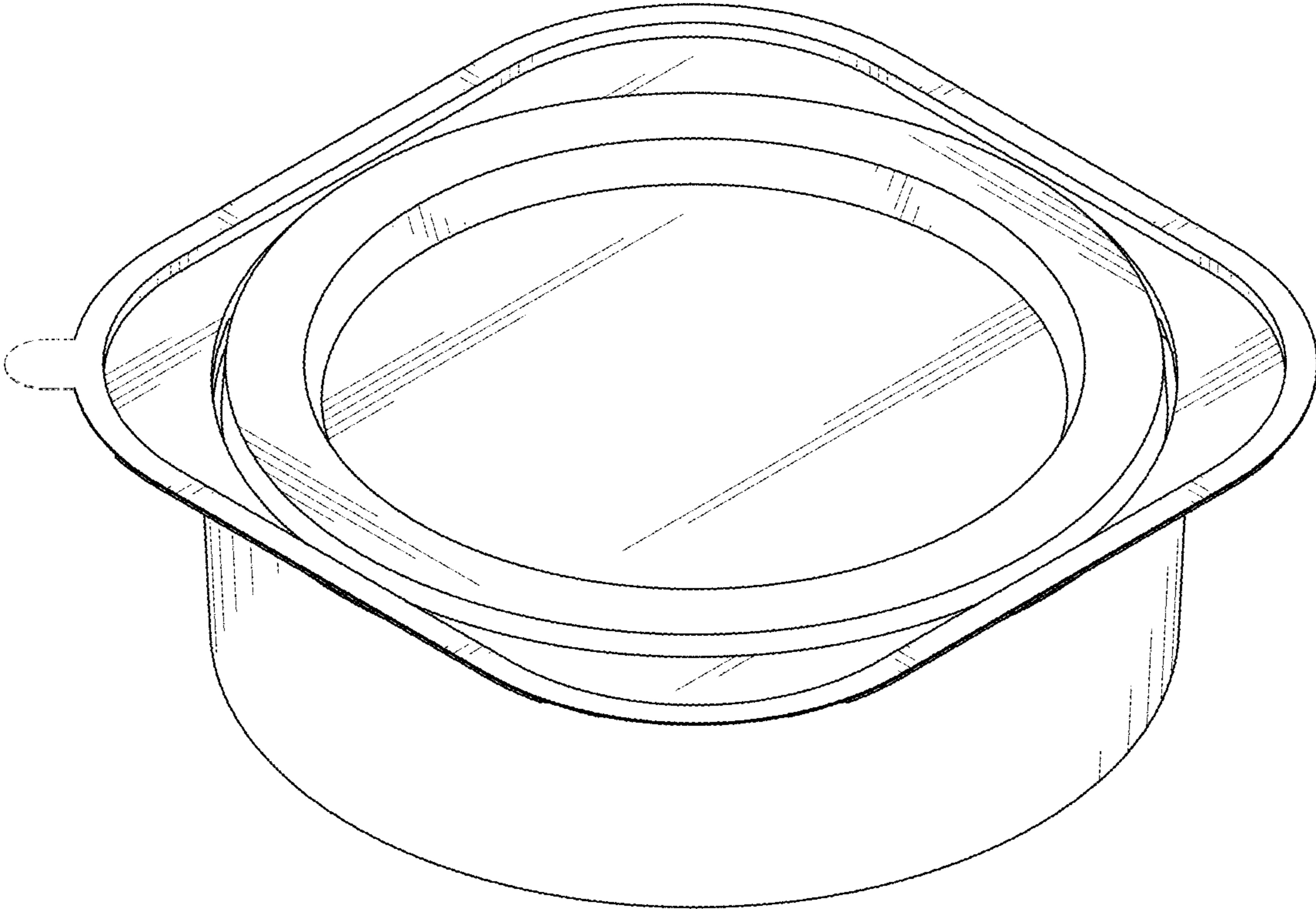


FIG. 1

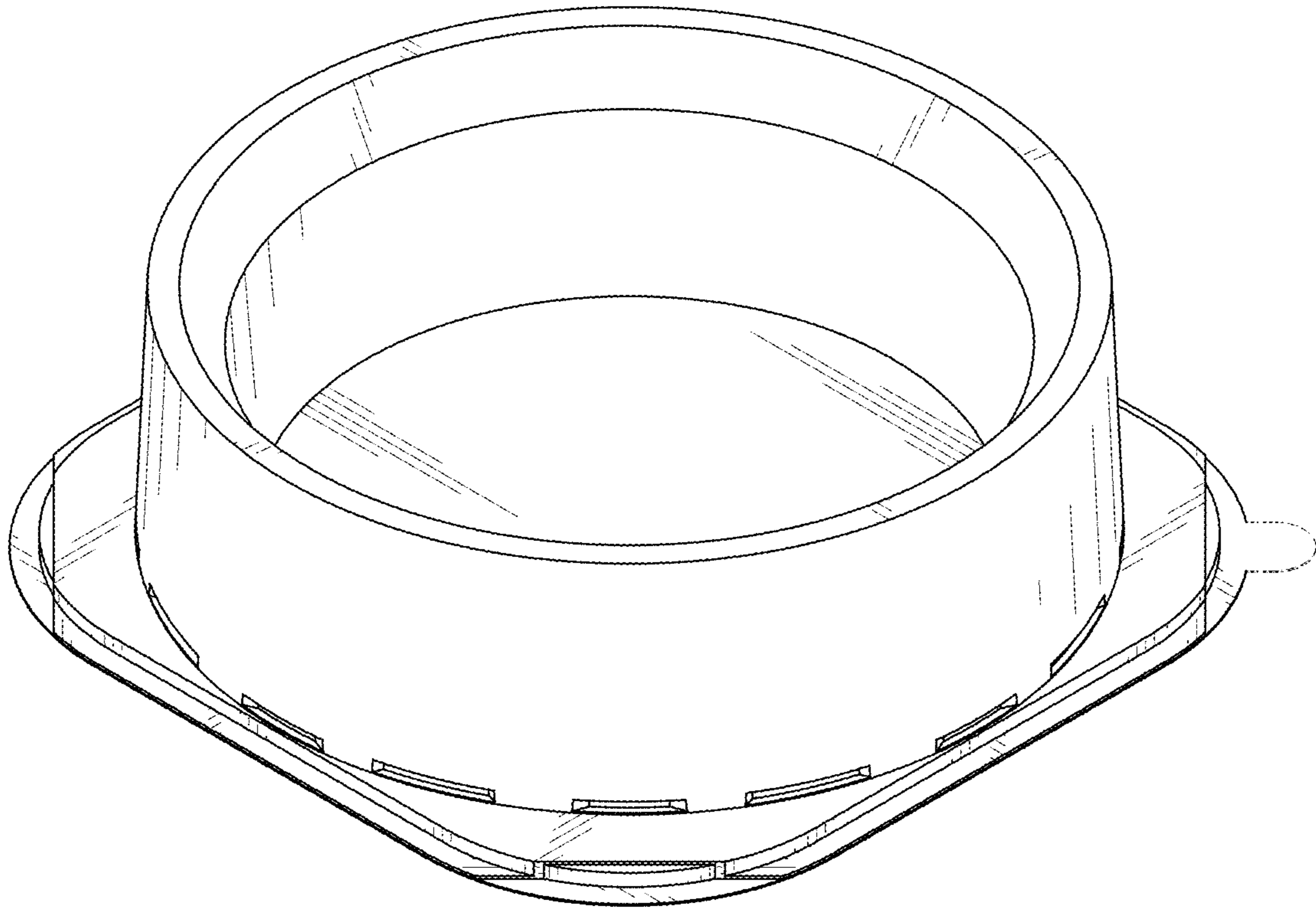


FIG. 2

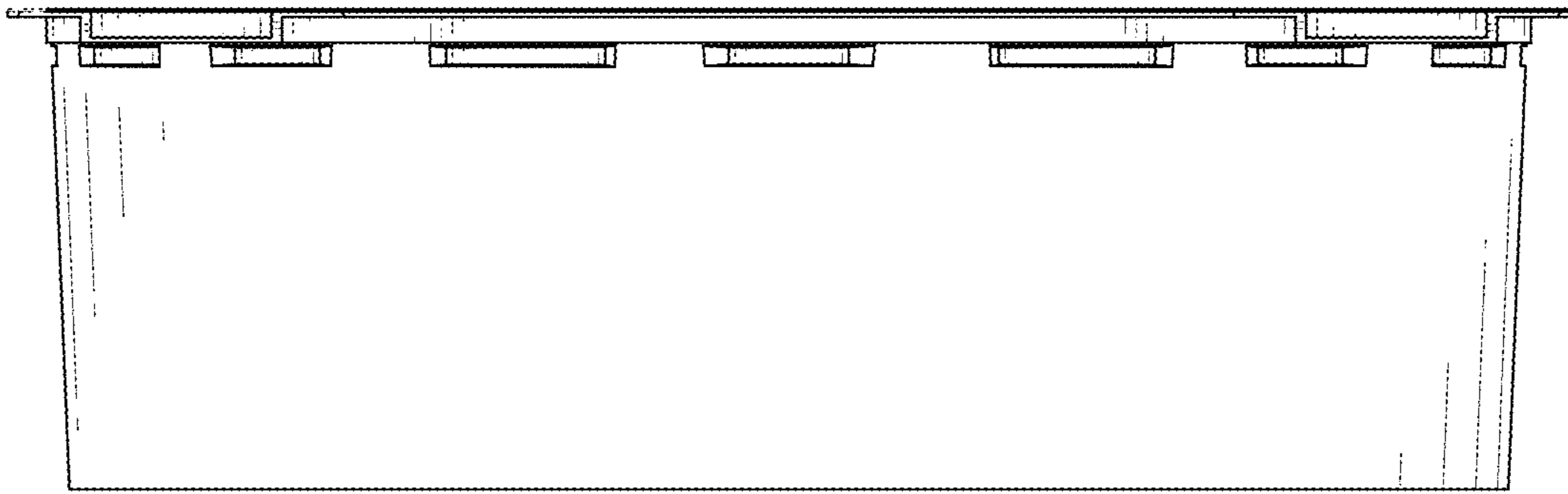


FIG. 3

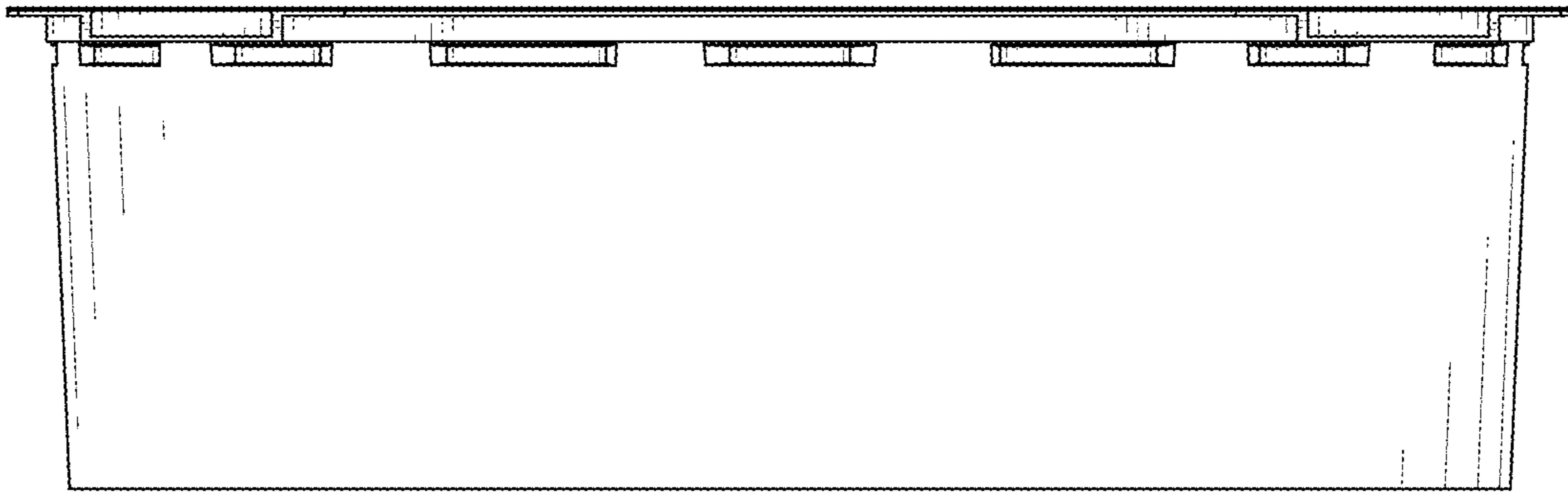


FIG. 4



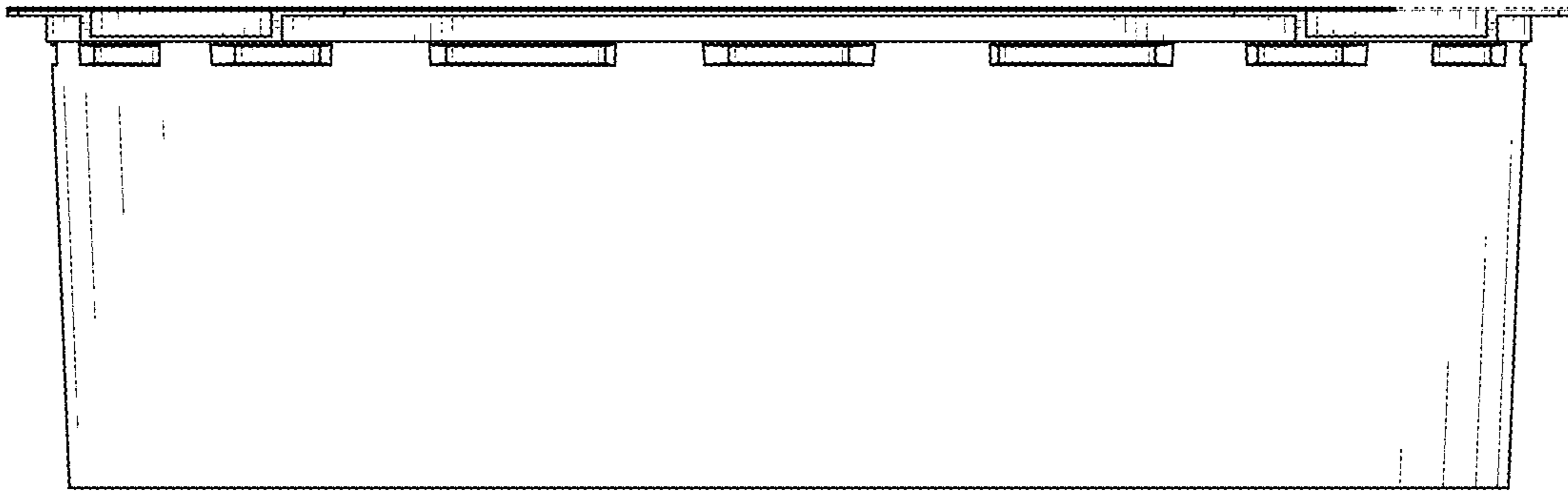


FIG. 5

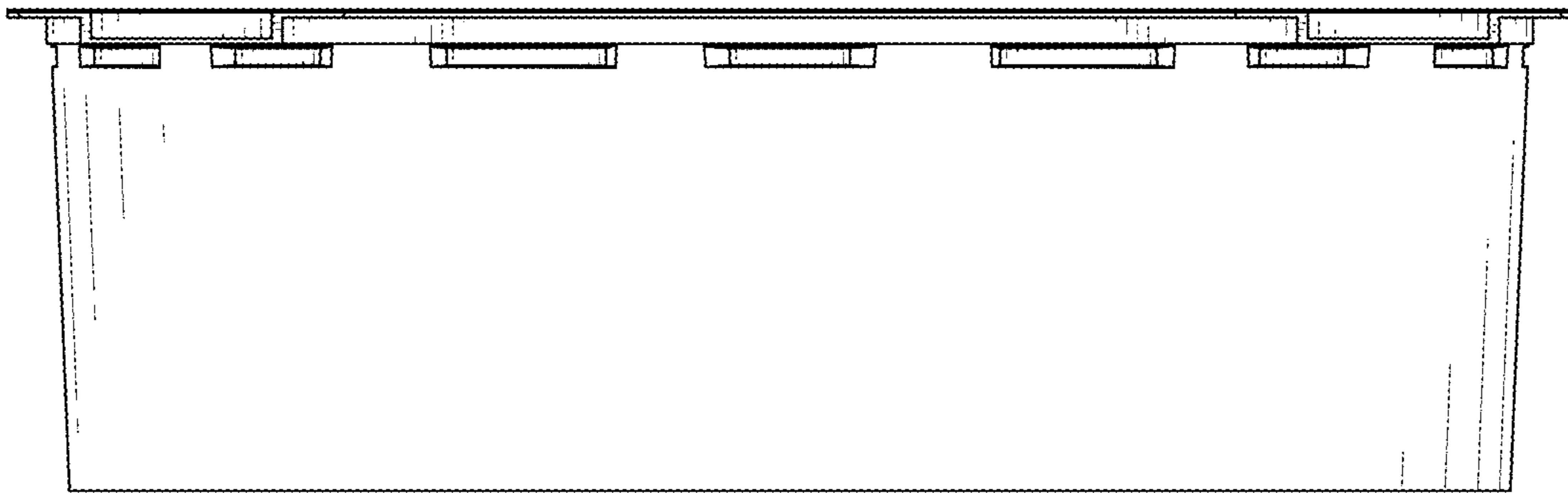


FIG. 6



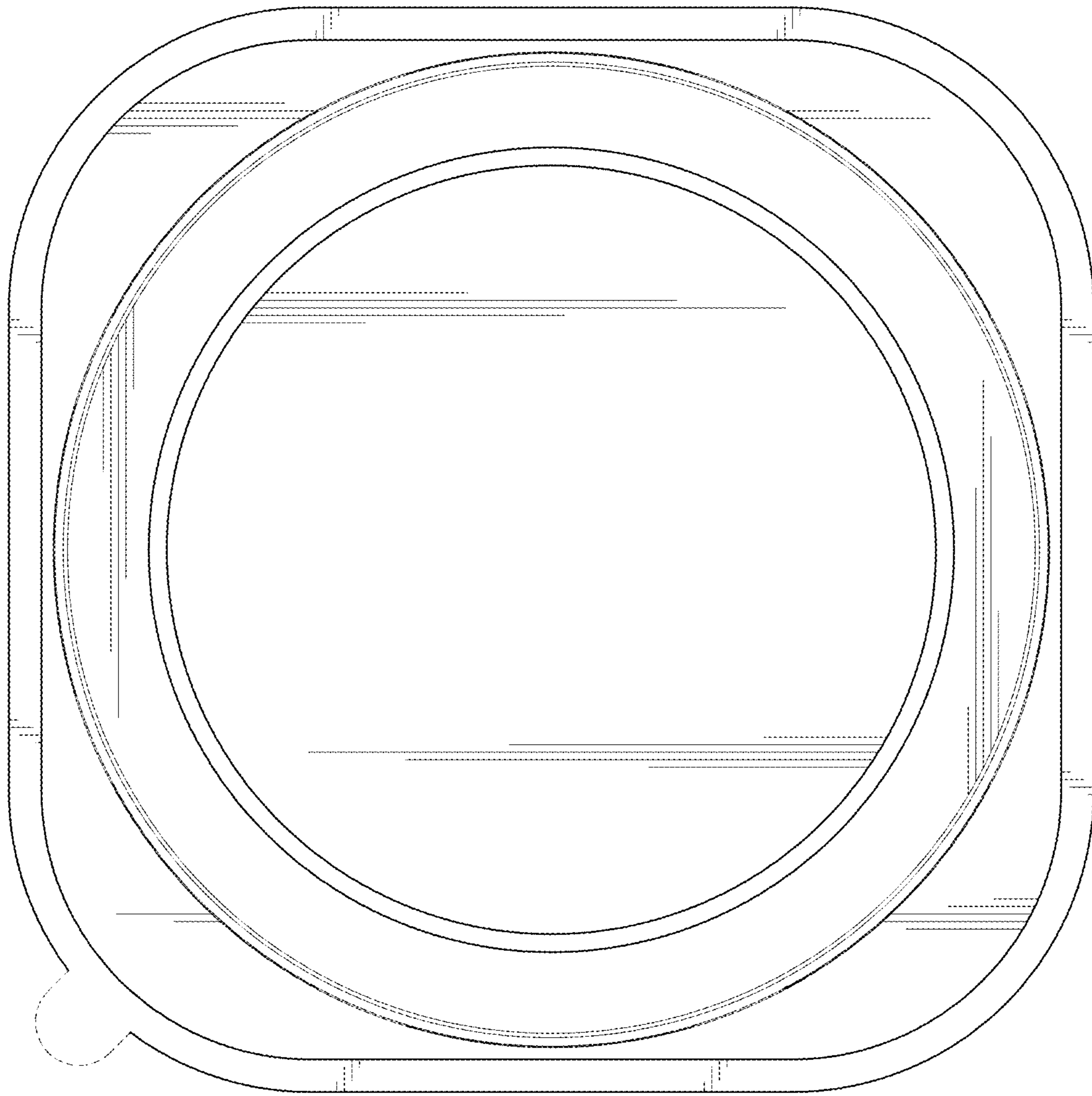


FIG. 7

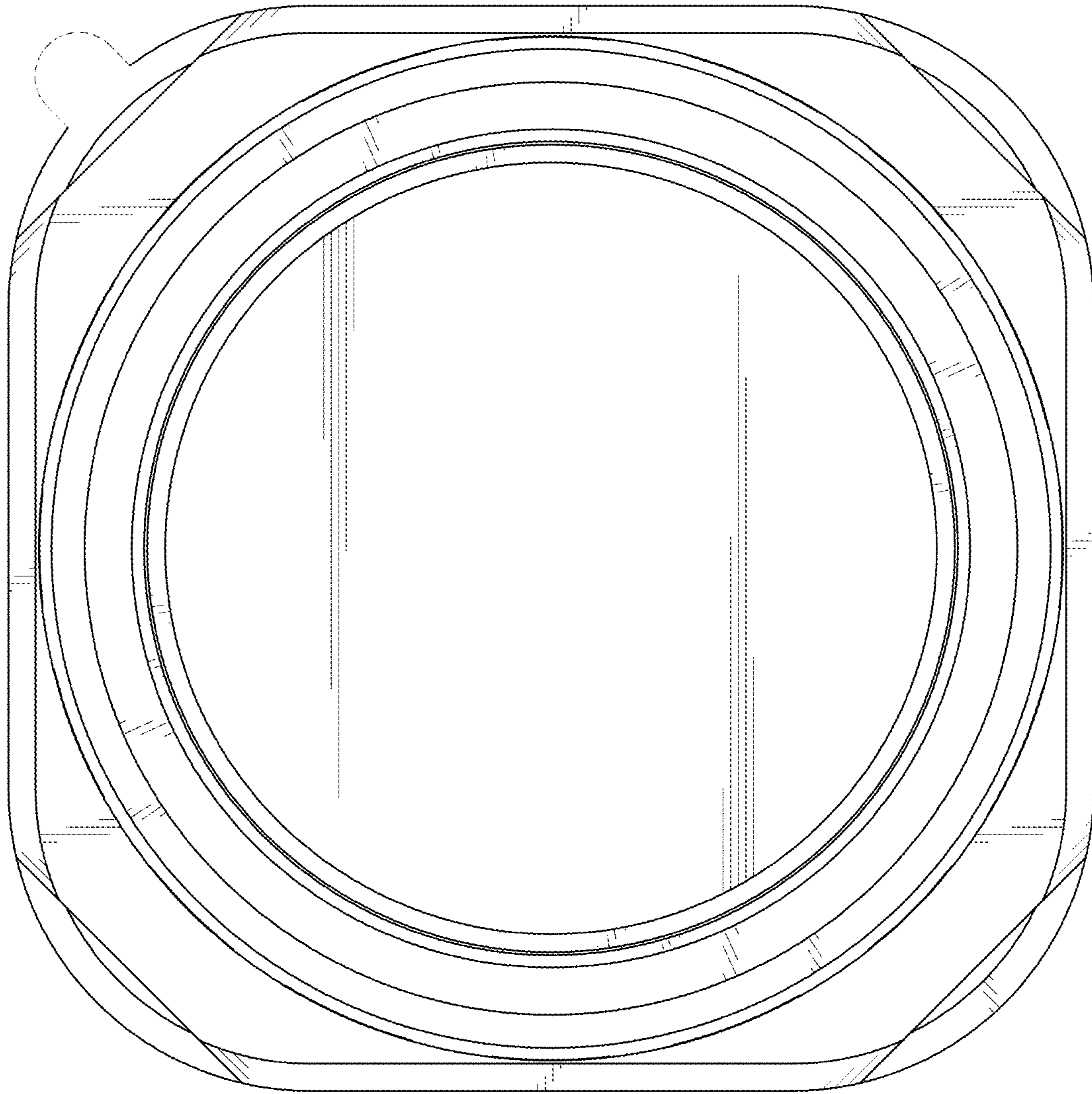


FIG. 8

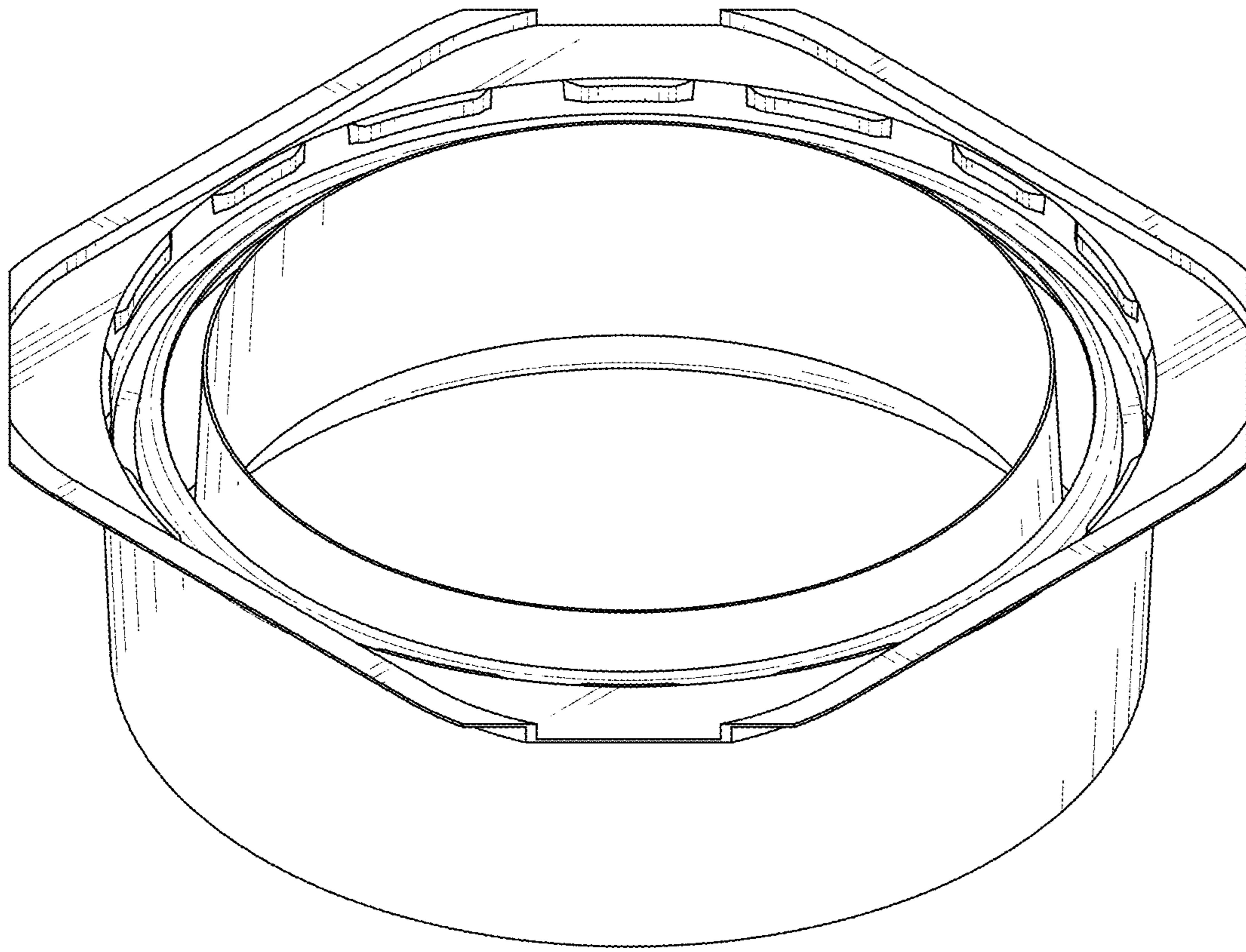


FIG. 9

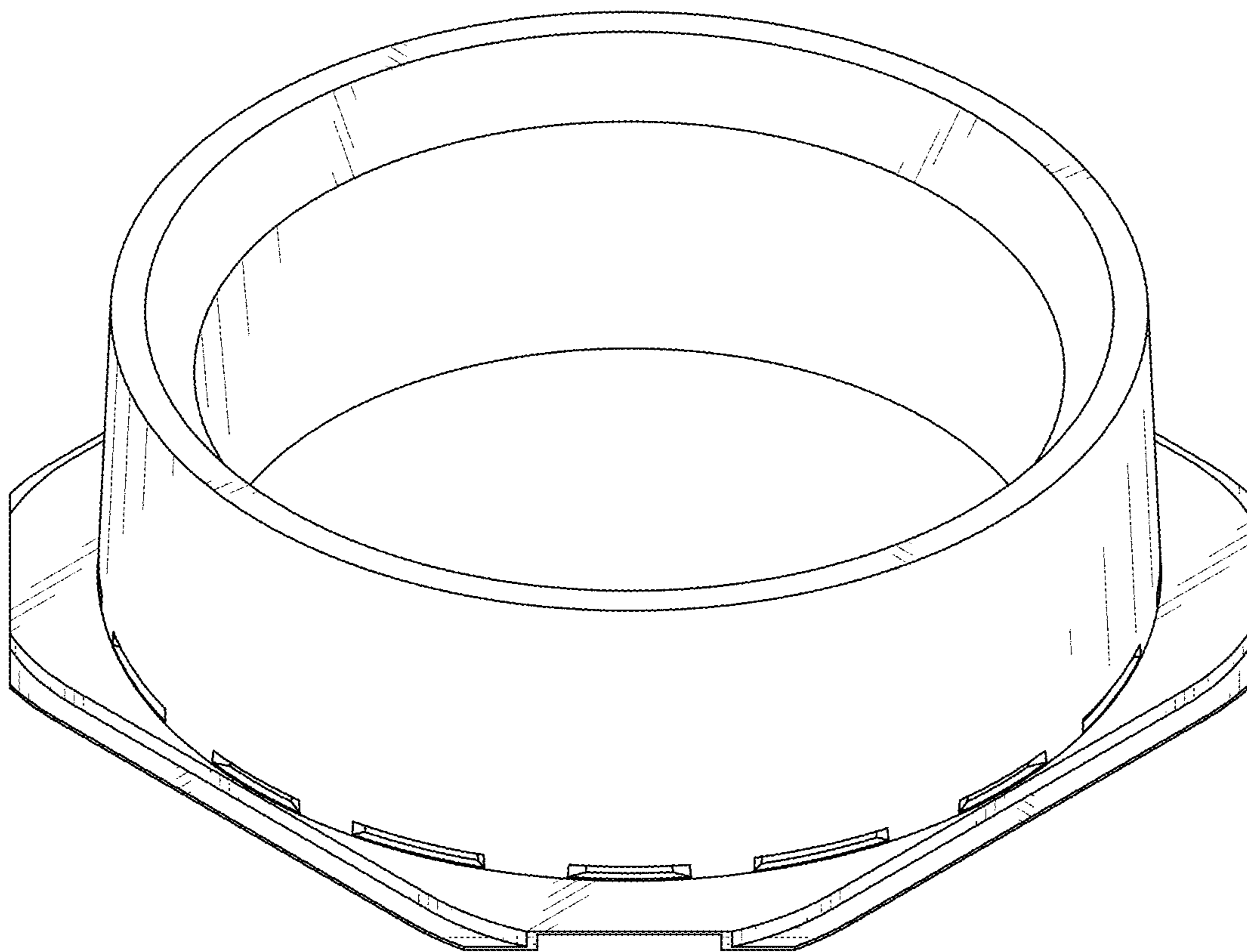


FIG. 10

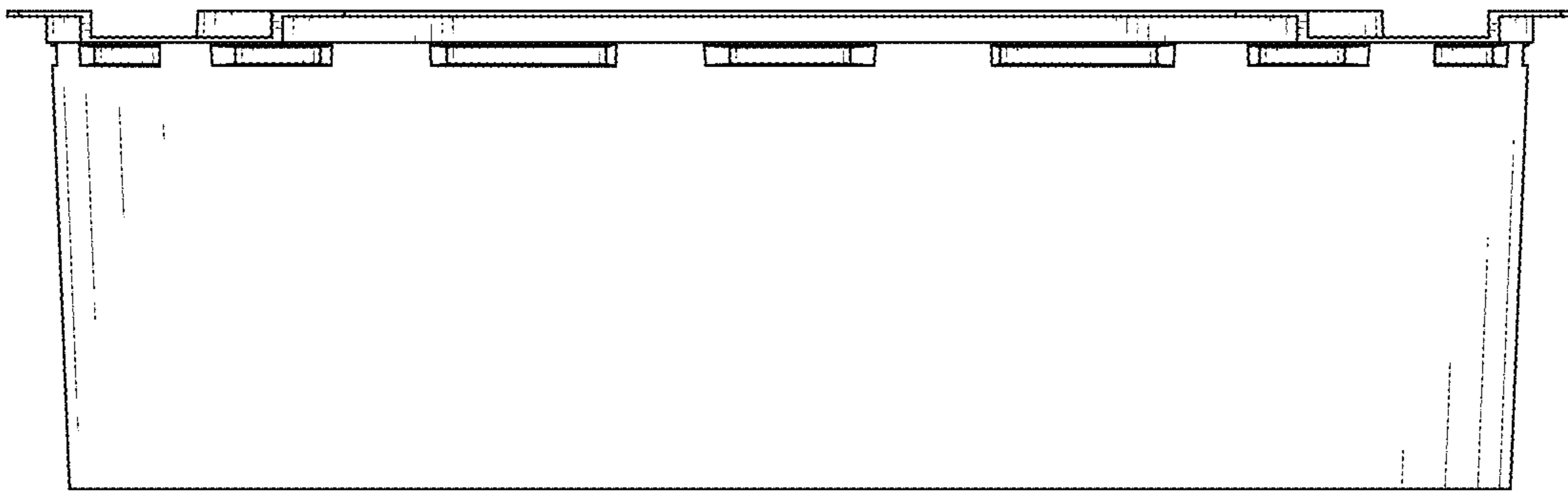


FIG. 11

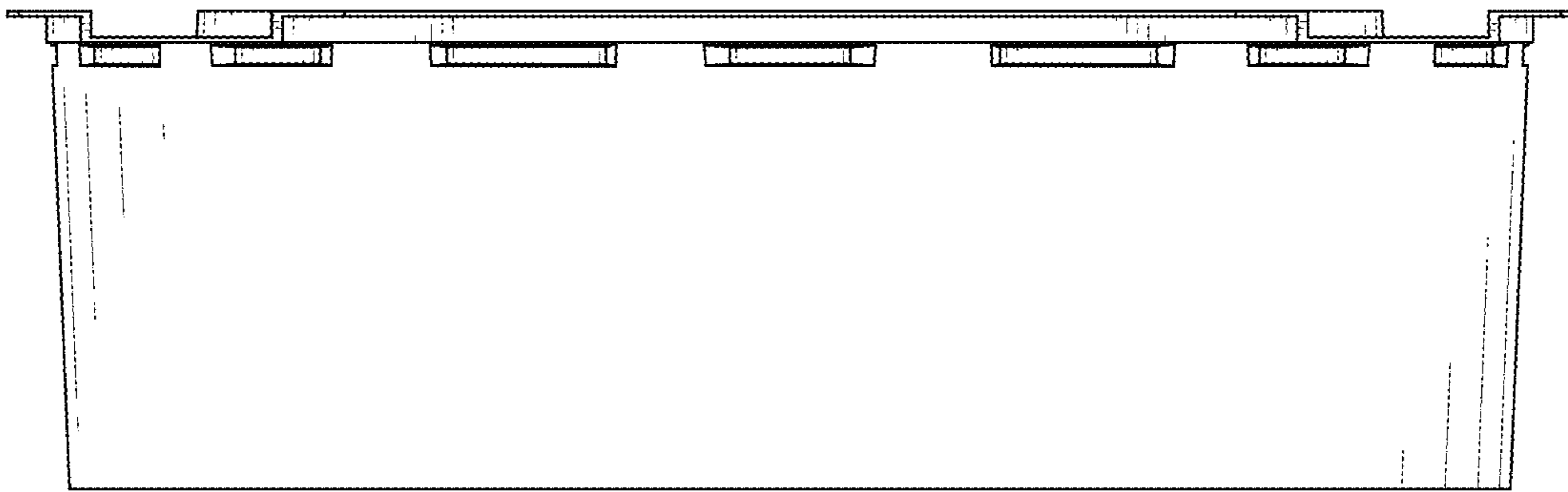


FIG. 12

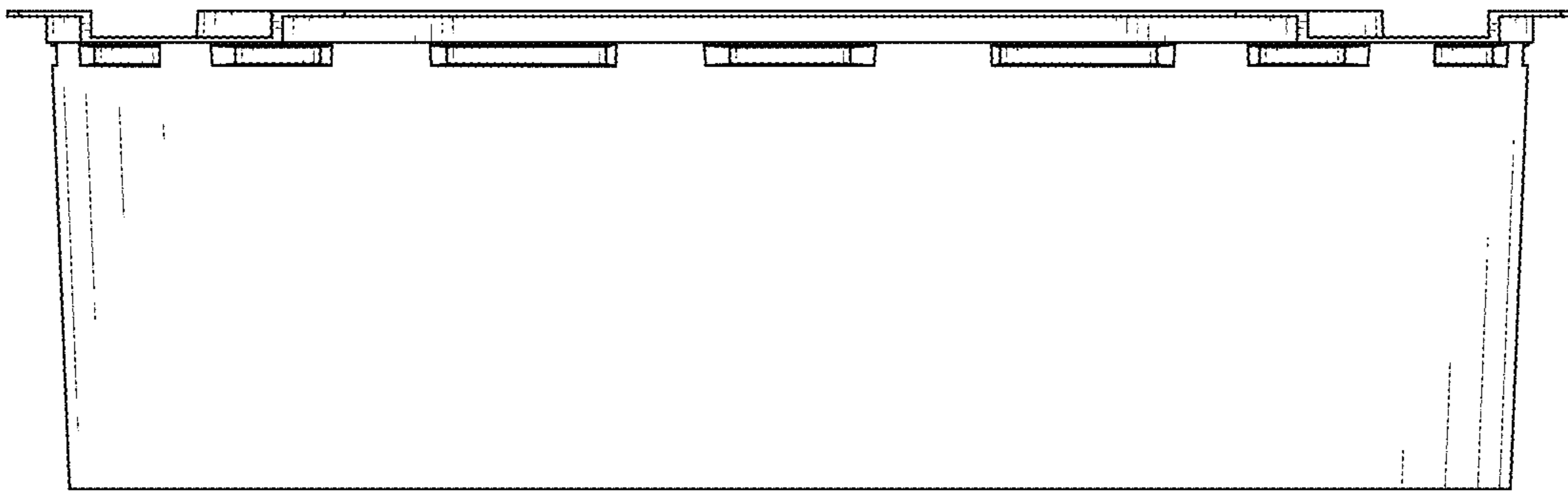


FIG. 13



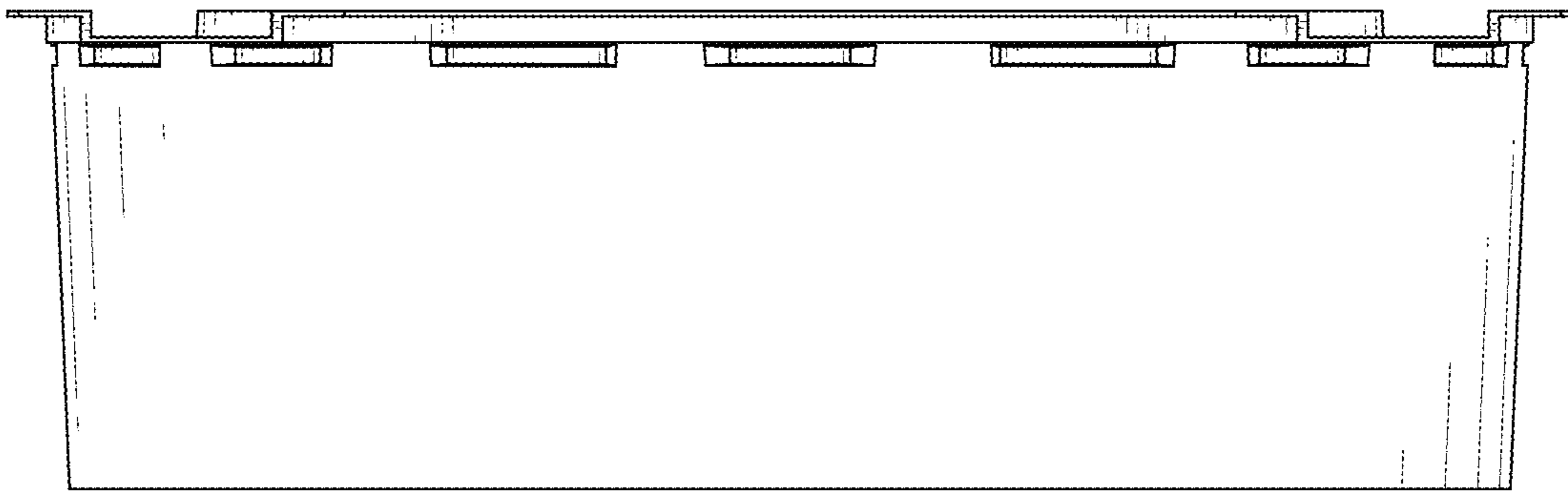


FIG. 14

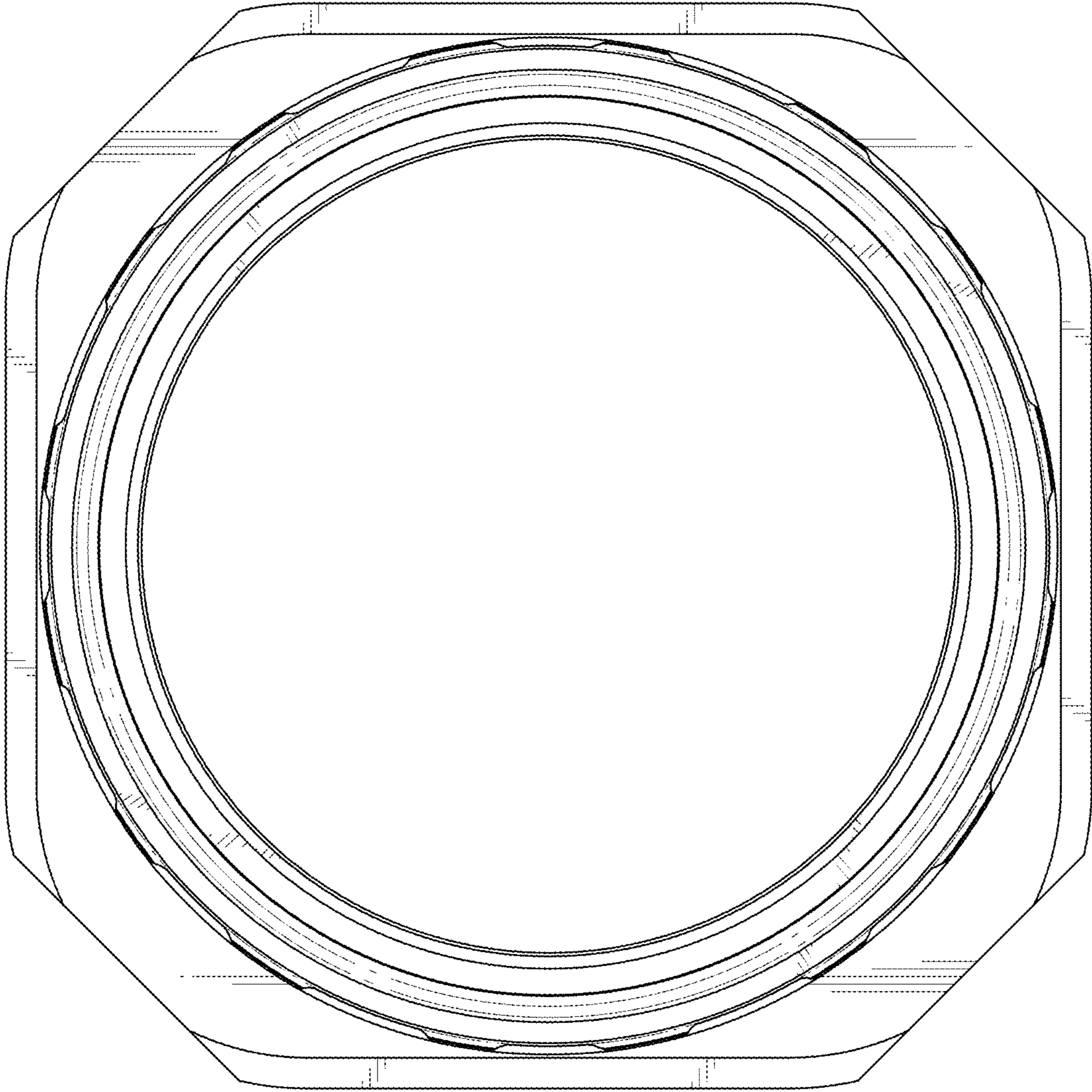


FIG. 15

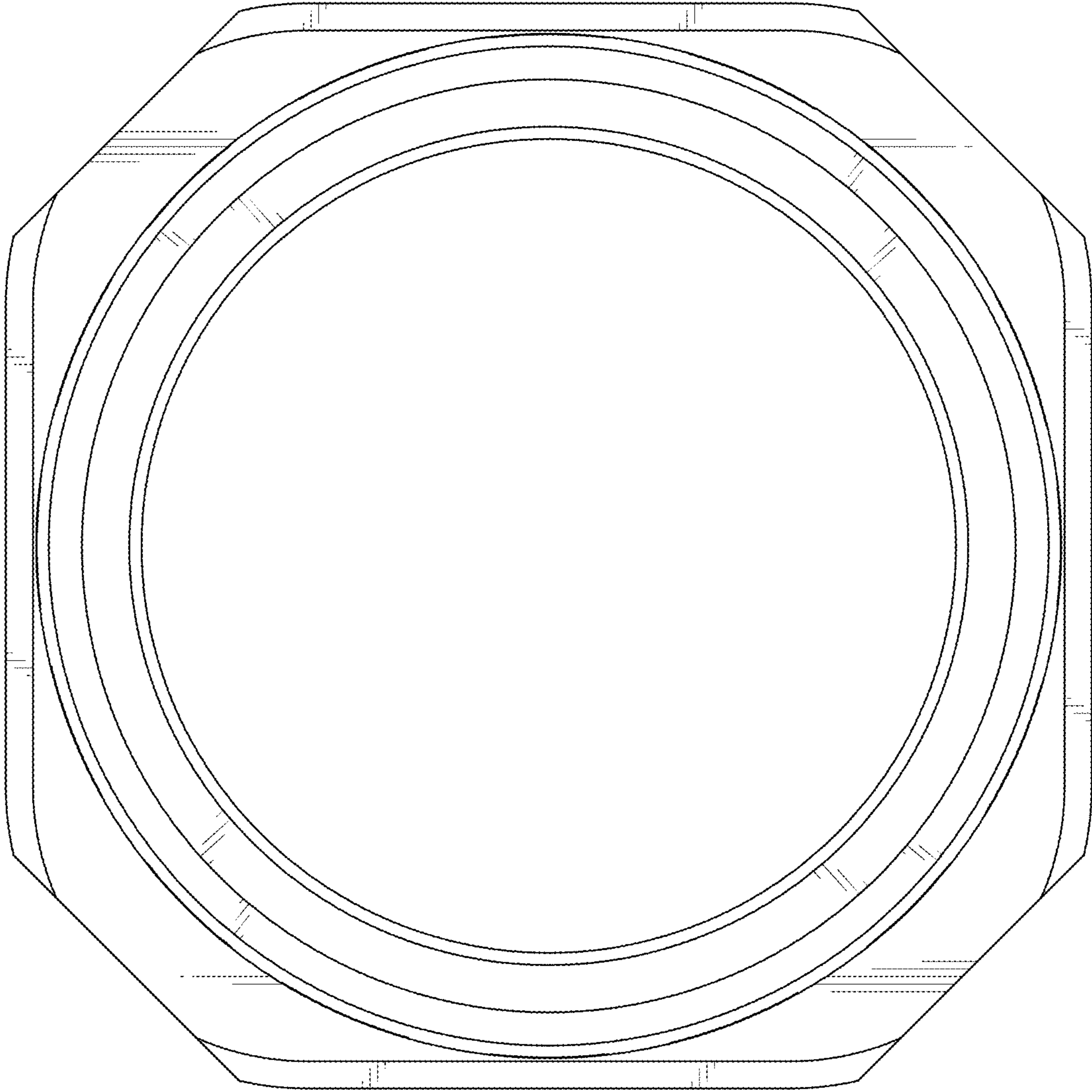


FIG. 16

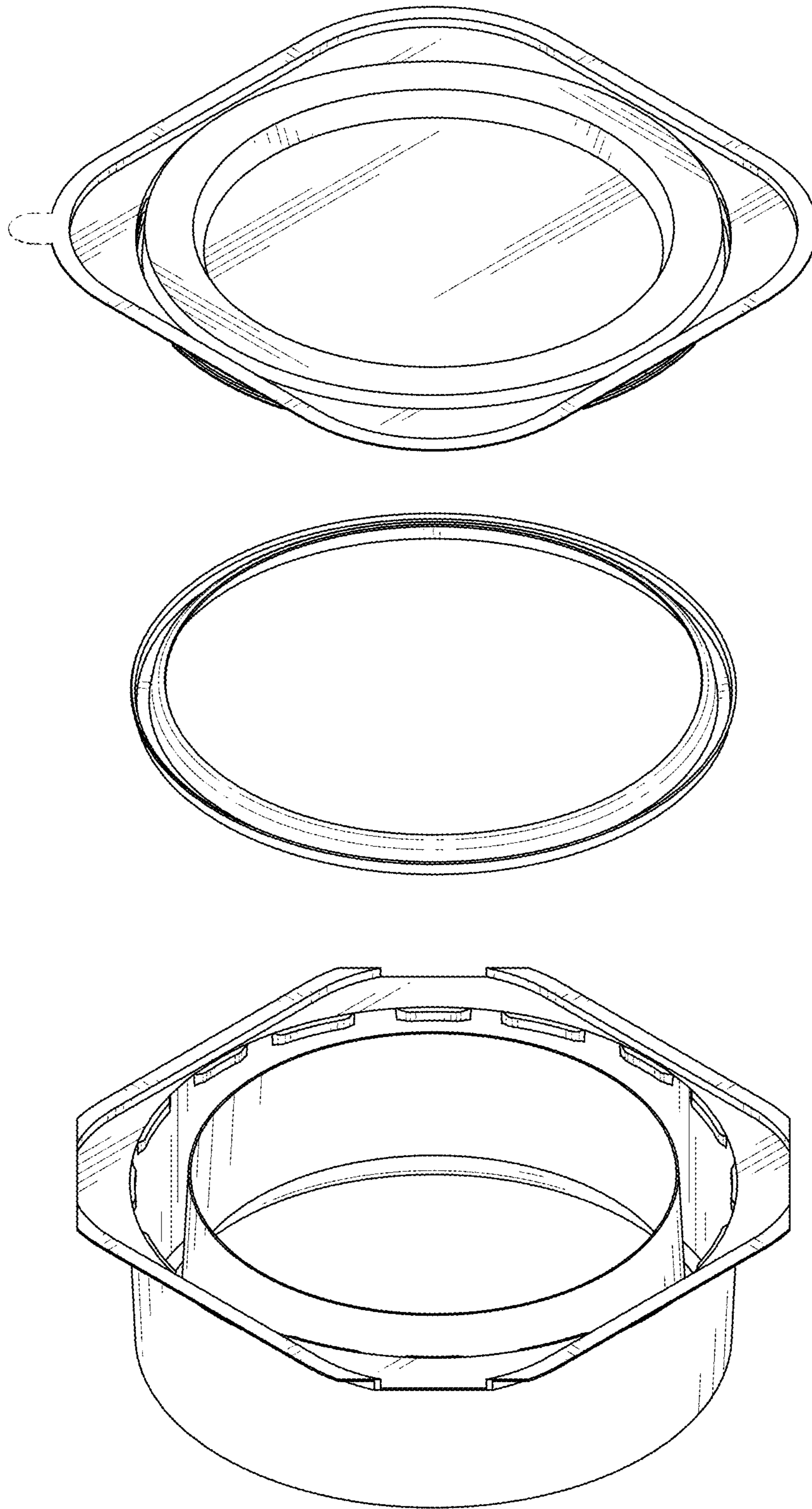


FIG. 17

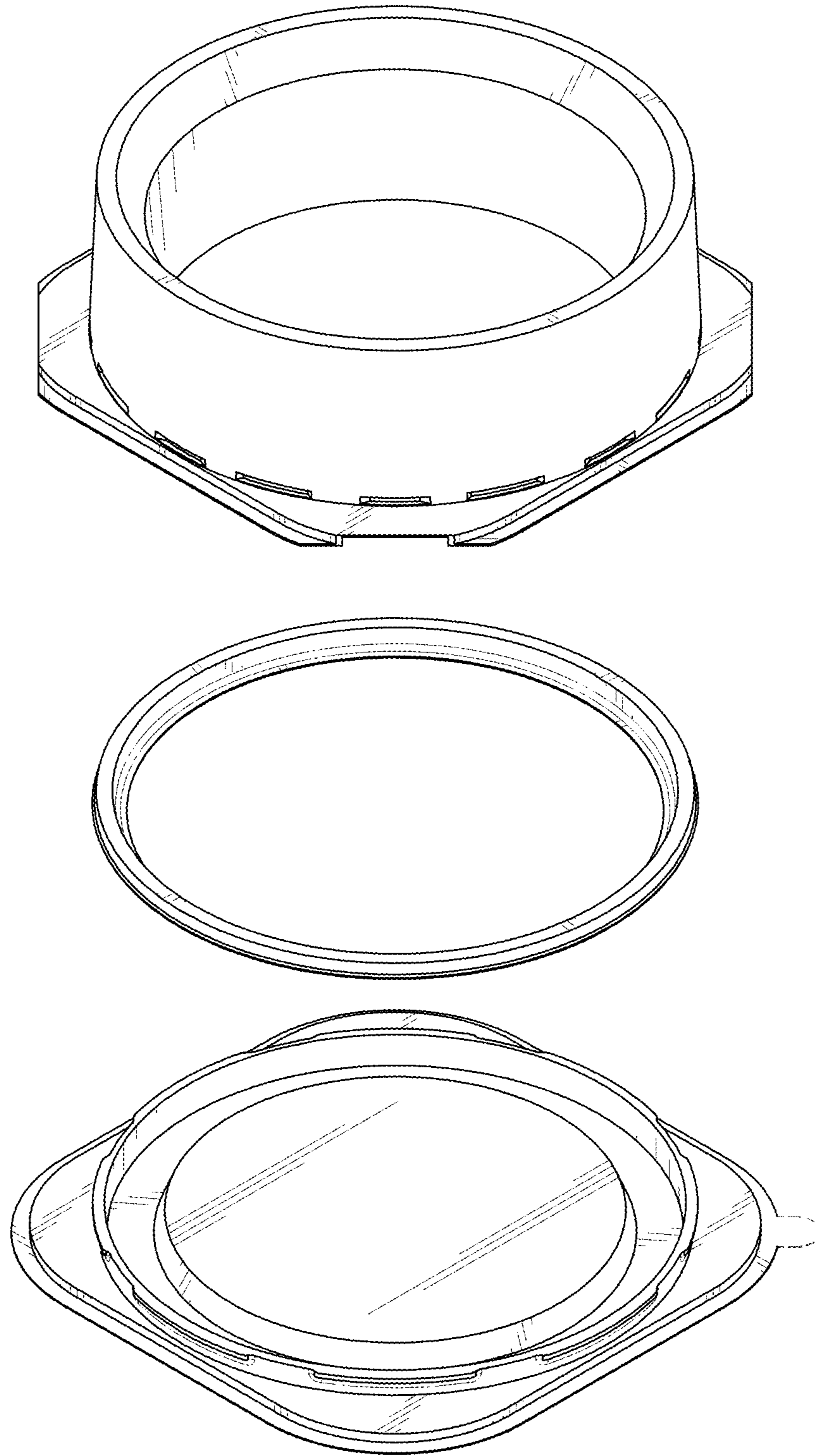


FIG. 18