



US00D881690S

(12) **United States Design Patent** (10) **Patent No.:** **US D881,690 S**
Smalley (45) **Date of Patent:** **** Apr. 21, 2020**

(54) **CARTON**
(71) Applicant: **Graphic Packaging International, LLC**, Atlanta, GA (US)
(72) Inventor: **Brian Smalley**, Bristol (GB)
(73) Assignee: **Graphic Packaging International, LLC**, Atlanta, GA (US)
(**) Term: **15 Years**
(21) Appl. No.: **29/675,323**
(22) Filed: **Dec. 31, 2018**
(51) **LOC (12) Cl.** **09-03**
(52) **U.S. Cl.**
USPC **D9/418**; D9/431; D9/433
(58) **Field of Classification Search**
USPC D9/414–423, 430–433, 434, 456, 457, D9/711, 713, 721–722; D20/10, 22, 27, D20/40, 42
CPC ... B65D 5/00; B65D 5/02; B65D 5/18; B65D 5/20
See application file for complete search history.

<URL:https://www.graphicpkgeurope.com/beverage/product-lines/fully-enclosed-carton-fec/>

(Continued)

Primary Examiner — Vy N Koenig
(74) *Attorney, Agent, or Firm* — Womble Bond Dickinson (US) LLP

(57) **CLAIM**

The ornamental design for a carton, as shown and described.

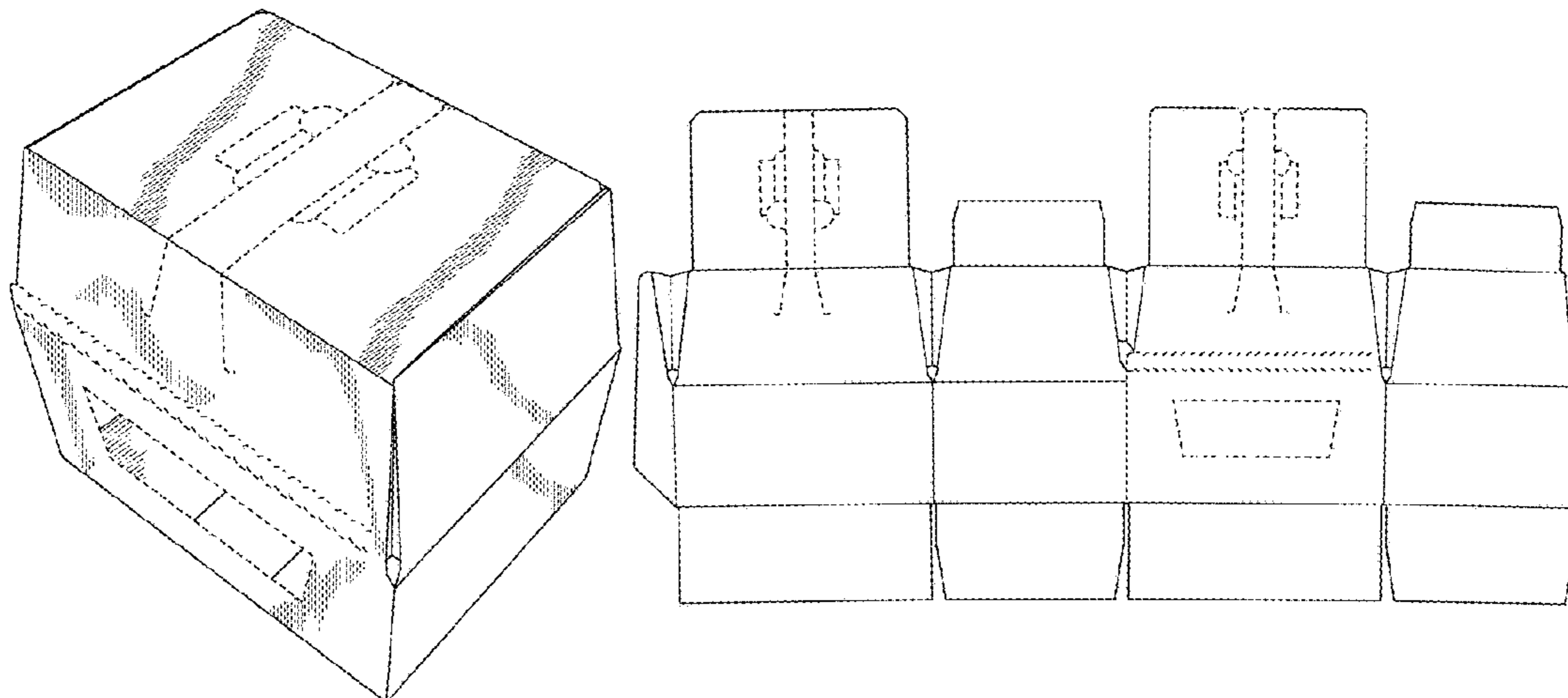
DESCRIPTION

FIG. 1 is a perspective view of a carton showing my new design.
FIG. 2 is a front elevation view of the carton of FIG. 1.
FIG. 3 is a left elevation view of the carton of FIG. 1.
FIG. 4 is a rear elevation view of the carton of FIG. 1.
FIG. 5 is a right elevation view of the carton of FIG. 1.
FIG. 6 is a bottom plan view of the carton of FIG. 1.
FIG. 7 is a top plan view of the carton of FIG. 1.
FIG. 8 is a perspective view of the carton of FIG. 1 in a loading configuration.
FIG. 9 is a front elevation view of the carton of FIG. 1 in the loading configuration.
FIG. 10 is a left elevation view of the carton of FIG. 1 in the loading configuration.
FIG. 11 is a rear elevation view of the carton of FIG. 1 in the loading configuration.
FIG. 12 is a right elevation view of the carton of FIG. 1 in the loading configuration.
FIG. 13 is a top plan view of the carton of FIG. 1 in the loading configuration; and,
FIG. 14 is a plan view of the carton of FIG. 1 shown in an unfolded configuration.
All evenly-spaced broken lines depict environmental subject matter and do not form part of the claimed design.

(56) **References Cited**
U.S. PATENT DOCUMENTS
926,758 A 7/1909 Miller
1,253,193 A 1/1918 Hill
2,115,673 A 4/1938 Stompe
2,382,368 A 8/1945 Mitchell, Jr.
(Continued)
FOREIGN PATENT DOCUMENTS
CA 27146 4/1965
CA 877792 8/1971
(Continued)
OTHER PUBLICATIONS

Graphic Packaging. Rounded Corner fridge pack. 2015 [earliest online date], [site visited Aug. 8, 2017]. Available from Internet,

1 Claim, 14 Drawing Sheets



(56)

References Cited

U.S. PATENT DOCUMENTS

2,383,183 A	8/1945	Fischer	4,830,267 A	5/1989	Wilson
2,586,301 A	2/1952	Castle	4,875,586 A	10/1989	Chaussadas
2,594,376 A	4/1952	Arneson	4,890,440 A	1/1990	Romagnoli
2,702,144 A	2/1955	Forrer	D306,402 S	3/1990	Colla
2,797,856 A	7/1957	Jaeschke	4,949,845 A	8/1990	Dixon
2,800,224 A	7/1957	Walter et al.	D311,339 S	10/1990	Weed
2,810,506 A	10/1957	Kessler	4,966,324 A	10/1990	Steel
2,819,506 A	10/1957	Kessler	4,974,771 A	12/1990	Lavery
2,868,433 A	1/1959	Anderson, Jr.	5,020,337 A	6/1991	Krieg
2,955,739 A	10/1960	Collura	D318,235 S	7/1991	Weed
3,112,856 A	12/1963	MacIntosh et al.	5,060,792 A	10/1991	Oloff
3,127,720 A	4/1964	Gentry et al.	5,071,062 A	12/1991	Bradley et al.
3,166,235 A	1/1965	Schroeder	5,072,876 A	12/1991	Wilson
3,178,242 A	4/1965	Ellis et al.	5,094,359 A	3/1992	DeMars et al.
3,204,814 A	9/1965	Mahon	5,106,014 A	4/1992	Miller
3,204,815 A	9/1965	Weis	5,118,032 A	6/1992	Geho
3,309,005 A	3/1967	Pilger	5,119,985 A	6/1992	Dawson et al.
3,334,767 A	8/1967	Cornelius et al.	5,137,211 A	8/1992	Summer et al.
3,355,012 A	11/1967	Weiss	5,197,598 A	3/1993	Stout et al.
3,356,279 A	12/1967	Root	5,221,041 A	6/1993	Stout et al.
3,381,881 A	5/1968	Granz et al.	5,222,658 A	6/1993	DeMaio et al.
3,638,851 A	2/1972	Offer et al.	5,234,102 A	8/1993	Schuster et al.
D230,955 S	3/1974	Katzenmeyer	5,246,112 A	9/1993	Stout et al.
3,807,624 A	4/1974	Funkhouser	5,263,634 A	11/1993	Korine
3,828,926 A	8/1974	Rossi	5,284,294 A	2/1994	Floyd
3,886,901 A	6/1975	Zeitter	5,292,058 A	3/1994	Zoss et al.
3,894,681 A	7/1975	Arneson et al.	5,297,725 A	3/1994	Sutherland
3,904,036 A	9/1975	Forrer	5,303,863 A	4/1994	Arasim
3,912,156 A	10/1975	May	5,307,932 A	5/1994	Stout et al.
3,933,303 A	1/1976	Kirby, Jr.	5,307,986 A	5/1994	Schuster
3,994,432 A	11/1976	Kirby, Jr.	5,320,277 A	6/1994	Stout et al.
4,029,204 A	6/1977	Manizza	5,328,030 A	7/1994	Sutherland
D244,993 S	7/1977	Drysdale	5,328,081 A	7/1994	Saulas
4,036,423 A	7/1977	Gordon	5,333,734 A	8/1994	Stout et al.
4,063,679 A	12/1977	Henry	D350,480 S	9/1994	Sutherland
4,096,985 A	6/1978	Wood	5,350,110 A	9/1994	Will
4,111,306 A	9/1978	Roccaforte	5,379,944 A	1/1995	Stout et al.
4,173,823 A	11/1979	Anderson et al.	5,381,891 A	1/1995	Harris
4,216,861 A	8/1980	Oloff	5,385,234 A	1/1995	Stout et al.
4,307,834 A	12/1981	Roccaforte	5,395,044 A	3/1995	Stout
4,318,474 A	3/1982	Hasegawa	5,427,241 A	6/1995	Sutherland
4,328,923 A	5/1982	Graser	5,458,234 A	10/1995	Harris
4,329,923 A	5/1982	Iida	D364,344 S	11/1995	Shaw
4,331,289 A	5/1982	Killy	5,472,090 A	12/1995	Sutherland
4,360,107 A	11/1982	Roccaforte	5,472,136 A	12/1995	Roccaforte
4,364,509 A	12/1982	Holley et al.	5,485,915 A	1/1996	Harris
4,375,258 A	3/1983	Crayne et al.	5,495,727 A	3/1996	Strong et al.
4,378,905 A	4/1983	Roccaforte	5,505,372 A	4/1996	Edson et al.
4,382,505 A	5/1983	Sutherland et al.	5,524,756 A	6/1996	Sutherland
4,396,143 A	8/1983	Killy	5,535,940 A	7/1996	Olds
4,417,655 A	11/1983	Forbes, Jr.	5,551,556 A	9/1996	Sutherland
4,418,864 A	12/1983	Nielsen	5,560,539 A	10/1996	Baxter
4,424,901 A	1/1984	Lanier	5,582,343 A	12/1996	Dalvey
4,436,244 A	3/1984	Morris	D377,861 S	2/1997	Jacober
4,440,340 A	4/1984	Bakx	5,605,279 A	2/1997	Adamek
4,470,503 A	9/1984	Stone	5,622,309 A	4/1997	Matsuda et al.
4,476,989 A	10/1984	Larsen	5,639,017 A	6/1997	Fogle
4,478,334 A	10/1984	Graser	5,647,483 A	7/1997	Harris
4,498,619 A	2/1985	Roccaforte	5,664,683 A	9/1997	Brody
4,508,258 A	4/1985	Graser	5,669,500 A	9/1997	Sutherland
4,538,759 A	9/1985	Dutcher	5,678,492 A	10/1997	Pinkstone et al.
4,545,485 A	10/1985	Oloff	5,690,213 A	11/1997	Matsumura
4,546,914 A	10/1985	Roccaforte	5,699,957 A	12/1997	Bin et al.
4,567,341 A	1/1986	Brown	5,704,470 A	1/1998	Sutherland
4,577,762 A	3/1986	Kuchenbecker	5,738,273 A	4/1998	Auclair
4,577,799 A	3/1986	Oloff	5,739,273 A	4/1998	Engelman et al.
4,588,084 A	5/1986	Holley, Jr.	5,794,778 A	8/1998	Harris
4,653,686 A	3/1987	Wood et al.	5,794,811 A	8/1998	Walsh
4,706,876 A	11/1987	Wilson	5,806,755 A	9/1998	Correll
4,747,487 A	5/1988	Wood	5,826,782 A	10/1998	Stout
4,747,534 A	5/1988	Marie	5,826,783 A	10/1998	Stout
4,765,534 A	8/1988	Zion et al.	5,833,130 A	11/1998	Correll
4,784,266 A	11/1988	Chaussadas	5,848,749 A	12/1998	Ljungstrom
4,784,316 A	11/1988	Crouch	5,860,587 A	1/1999	Young
4,802,583 A	2/1989	Calvert et al.	5,873,515 A	2/1999	Dunn et al.
			5,875,961 A	3/1999	Stone et al.
			5,878,946 A	3/1999	Frerot et al.
			5,906,313 A	5/1999	Oloff
			5,915,546 A	6/1999	Harrelson

(56)

References Cited

U.S. PATENT DOCUMENTS

5,921,398 A	7/1999	Carroll	7,757,933 B2	7/2010	Dunn
5,924,559 A	7/1999	Carrel et al.	7,762,450 B2	7/2010	Oliveira
5,992,733 A	11/1999	Gomes	7,766,219 B2	8/2010	Gomes et al.
6,019,276 A	2/2000	Auclair	7,793,779 B2	9/2010	Spivey, Sr. et al.
6,021,897 A	2/2000	Sutherland	7,806,314 B2	10/2010	Sutherland
6,065,590 A	5/2000	Spivey	7,832,621 B2	11/2010	Smalley
D426,154 S	6/2000	De Baschmakoff	8,070,052 B2	12/2011	Spivey, Sr. et al.
6,085,969 A	7/2000	Burgoyne	D657,239 S	4/2012	Gavrilenkov
6,105,853 A	8/2000	Lamare	8,191,761 B2	6/2012	Brand
6,105,854 A	8/2000	Spivey et al.	8,231,513 B2	7/2012	Smalley
6,109,512 A	8/2000	Morrison	D670,999 S	11/2012	Stowe
6,112,977 A	9/2000	Sutherland et al.	8,376,214 B2	2/2013	Spivey, Sr. et al.
6,129,266 A	10/2000	Oliff et al.	8,439,254 B2	5/2013	Smalley
6,131,803 A	10/2000	Oliff et al.	D684,042 S	6/2013	Betzig
6,155,480 A	12/2000	Botsford et al.	8,453,920 B2 *	6/2013	Schemmel B65D 71/36 206/427
6,164,526 A	12/2000	Dalvey	8,459,533 B2	6/2013	Requena et al.
6,170,741 B1	1/2001	Skolik et al.	8,740,051 B2	6/2014	Gonzalez
6,176,419 B1	1/2001	Holley, Jr.	8,955,736 B2	2/2015	Spivey, Sr. et al.
6,202,920 B1	3/2001	Auclair	D737,135 S	8/2015	Mizutani
6,206,277 B1	3/2001	Correll	D747,868 S	1/2016	Steka
6,227,367 B1	5/2001	Harrelson et al.	D762,468 S *	8/2016	Pantelleria D9/423
6,260,755 B1	7/2001	Bates et al.	9,415,914 B2	8/2016	Holley, Jr.
6,290,122 B1	9/2001	Correll	9,487,320 B2	11/2016	Holley, Jr.
6,302,320 B1	10/2001	Stout	9,499,319 B2	11/2016	Schmal et al.
D452,154 S	12/2001	Rhodes et al.	D781,143 S	3/2017	Holley, Jr.
6,364,199 B1	4/2002	Rose	D805,895 S	12/2017	Smalley et al.
6,371,365 B1	4/2002	Doucette et al.	D805,896 S	12/2017	Smalley
6,375,066 B1	4/2002	Ritter	9,963,262 B2	5/2018	Smalley
6,409,077 B1	6/2002	Telesca et al.	D826,711 S	8/2018	Boersma et al.
6,425,520 B1	7/2002	Peterson	10,059,485 B2 *	8/2018	Spivey, Sr. B65D 5/4266
D466,805 S *	12/2002	Radvansky D9/422	10,124,944 B2	11/2018	Smalley
6,523,739 B2	2/2003	Heeley et al.	10,202,228 B2	2/2019	Boersma et al.
6,536,656 B2	3/2003	Auclair et al.	D867,900 S *	11/2019	Thompson D9/754
6,571,539 B2	6/2003	Gendre et al.	2002/0070139 A1	6/2002	Bates
6,631,803 B2	10/2003	Rhodes et al.	2002/0088820 A1	7/2002	Spivey
6,715,639 B2	4/2004	Spivey	2002/0088821 A1	7/2002	Spivey et al.
D489,609 S	5/2004	Holthaus	2003/0192905 A1	10/2003	Spivey
6,752,262 B1	6/2004	Boriani et al.	2003/0213263 A1	11/2003	Woog
6,758,337 B2	7/2004	Chargueraud et al.	2004/0050917 A1	3/2004	Smalley
6,766,940 B2	7/2004	Negelen	2004/0060972 A1	4/2004	Harrelson
6,834,793 B2	12/2004	Sutherland	2004/0074954 A1	4/2004	Fogle et al.
6,848,573 B2	2/2005	Gould et al.	2004/0099558 A1	5/2004	Oliff et al.
6,866,186 B2	3/2005	Fogle et al.	2004/0164133 A1	8/2004	Harrelson
6,869,009 B2	3/2005	Sutherland et al.	2004/0188277 A1	9/2004	Auclair
6,899,221 B2	5/2005	Skolik et al.	2004/0188300 A1	9/2004	Sutherland
6,905,066 B2	6/2005	Holley	2004/0256445 A1	12/2004	Merzeau
6,926,193 B2	8/2005	Smalley	2004/0262374 A1	12/2004	Chargueraud
6,945,450 B2	9/2005	Rusnock	2005/0056658 A1	3/2005	Spivey
6,968,992 B2	11/2005	Schuster	2005/0087592 A1	4/2005	Schuster
D513,177 S	12/2005	Tachikawa	2005/0167292 A1	8/2005	Sutherland
6,971,572 B2	12/2005	Ikeda	2005/0167476 A1	8/2005	Ikeda
7,000,803 B2	2/2006	Miller	2005/0167478 A1	8/2005	Holley, Jr.
7,007,836 B2	3/2006	Smalley	2005/0178687 A1	8/2005	Spivey, Sr.
7,070,045 B2	7/2006	Theelen	2005/0178791 A1	8/2005	Miller
7,234,596 B2	6/2007	Lebras	2006/0000881 A1	1/2006	Sutherland
7,237,674 B2	7/2007	Auclair	2006/0071058 A1	4/2006	Spivey, Sr.
D549,575 S	8/2007	Pinkstone	2006/0108406 A1	5/2006	Stewart et al.
D553,496 S	10/2007	Martuch et al.	2006/0169755 A1	8/2006	Spivey, Sr.
7,296,731 B2	11/2007	Auclair et al.	2006/0169755 A1	8/2006	Spivey, Sr.
D558,047 S	12/2007	Pinkstone	2006/0254942 A1	11/2006	Cargile, Jr.
7,374,038 B2	5/2008	Smalley	2006/0273143 A1	12/2006	Finch
7,380,701 B2	6/2008	Fogle et al.	2007/0039846 A1	2/2007	Spivey, Sr.
7,416,109 B2	8/2008	Sutherland	2007/0051781 A1	3/2007	Holley, Jr.
7,427,010 B2	9/2008	Sutherland	2007/0108261 A1	5/2007	Schuster
D582,267 S	12/2008	Andre	2007/0137222 A1	6/2007	Kastanek et al.
7,472,791 B2	1/2009	Spivey, Sr.	2007/0164091 A1	7/2007	Fogle et al.
7,546,924 B2	6/2009	Oliveira	2007/0181658 A1	8/2007	Sutherland
7,571,807 B2	8/2009	DeBusk et al.	2007/0205255 A1	9/2007	Dunn
7,601,111 B2	10/2009	Sutherland et al.	2007/0284424 A1	12/2007	Holley
7,665,653 B2	2/2010	Fitzwater	2007/0295789 A1	12/2007	Ho Fung
7,699,215 B2	4/2010	Spivey, Sr.	2008/0083820 A1	4/2008	Walling et al.
7,703,666 B2	4/2010	Hand et al.	2008/0099544 A1	5/2008	Skolik
7,743,944 B2	6/2010	Ho Fung et al.	2008/0119344 A1	5/2008	Sutherland et al.
7,743,968 B2	6/2010	Theelen	2009/0236408 A1	9/2009	Spivey, Sr.
7,748,603 B2	7/2010	Fogle et al.	2009/0255983 A1	10/2009	De Paula et al.
			2010/0108747 A1	5/2010	Brand
			2010/0213249 A1	8/2010	Requena et al.
			2010/0270367 A1	10/2010	Brandenburger
			2011/0095075 A1	4/2011	Pinkstone

(56)

References Cited

U.S. PATENT DOCUMENTS

2012/0279897 A1 11/2012 Schmal et al.
 2013/0214036 A1 8/2013 Spivey, Sr. et al.
 2013/0220873 A1 8/2013 Holley, Jr.
 2013/0284628 A1 10/2013 Moncrief et al.
 2014/0260095 A1 9/2014 Oliveira
 2014/0305826 A1 10/2014 Holley, Jr.
 2015/0001116 A1 1/2015 Schmal et al.
 2015/0151888 A1 6/2015 Fitzwater et al.
 2017/0101240 A1 4/2017 Boersma
 2017/0233131 A1 8/2017 Nielsen et al.

FOREIGN PATENT DOCUMENTS

CA 2 160 145 9/1995
 CA 118620 12/2007
 CA 122012 7/2008
 CA 126100 12/2008
 CA 129892 12/2009
 CA 131063 3/2010
 CA 131481 3/2010
 CA 132220 5/2010
 CA 133757 9/2010
 CA 136756 9/2010
 CA 166826 10/2016
 CA 169768 3/2017
 CA 171618 7/2017
 DE 1 192 099 4/1965
 DE 85 14 718.4 6/1985
 DE 93 20 302 5/1994
 DE 295 04 256 5/1995
 DE 296 07 374 4/1996
 DE 201 12 228 11/2002
 DE 20 2004 018 649 4/2005
 EP 0 341 089 11/1989
 EP 0 412 226 2/1991
 EP 0 434 401 A1 6/1991
 EP 0 473 266 3/1992
 EP 0 475 147 3/1992
 EP 1 260 448 11/2002
 EP 1 262 417 12/2002

EP 1 518 792 3/2005
 EP 1 612 157 1/2006
 EP 1 661 813 5/2006
 FR 1 494 239 9/1967
 FR 2.163.317 7/1973
 FR 2 549 010 1/1985
 FR 2 579 175 9/1986
 FR 2 581 970 11/1986
 GB 1 317 667 5/1973
 JP 06-32320 4/1994
 JP 8-503187 4/1996
 JP 2005-507831 3/2005
 JP 3196109 2/2015
 KR 20-0356729 7/2004
 WO WO 94/10047 5/1994
 WO WO 96/27538 9/1996
 WO WO 96/29260 9/1996
 WO WO 98/39220 9/1998
 WO WO 99/28207 6/1999
 WO WO 99/64301 12/1999
 WO WO 00/78618 12/2000
 WO WO 01/66434 9/2001
 WO WO 02/30785 4/2002
 WO WO 03/037742 5/2003
 WO WO 03/082686 10/2003
 WO WO 2004/043790 5/2004
 WO WO 2005/080218 9/2005
 WO WO 2005/123532 12/2005
 WO WO 2007/089282 8/2007
 WO WO 2010/014438 2/2010
 WO WO 2013/177072 11/2013
 WO WO 2014/186259 11/2014
 WO WO 2016/069534 5/2016
 WO WO 2016/099969 6/2016

OTHER PUBLICATIONS

Deline Box and Display. Produce Packaging. 2017 [earliest online date], [site visited Aug. 9, 2017]. Available from Internet, <URL:http://www.delinebox.com/success-stories/produce>.
 International Search Report and Written Opinion for PCT/US2019/042350 dated Nov. 12, 2019.

* cited by examiner

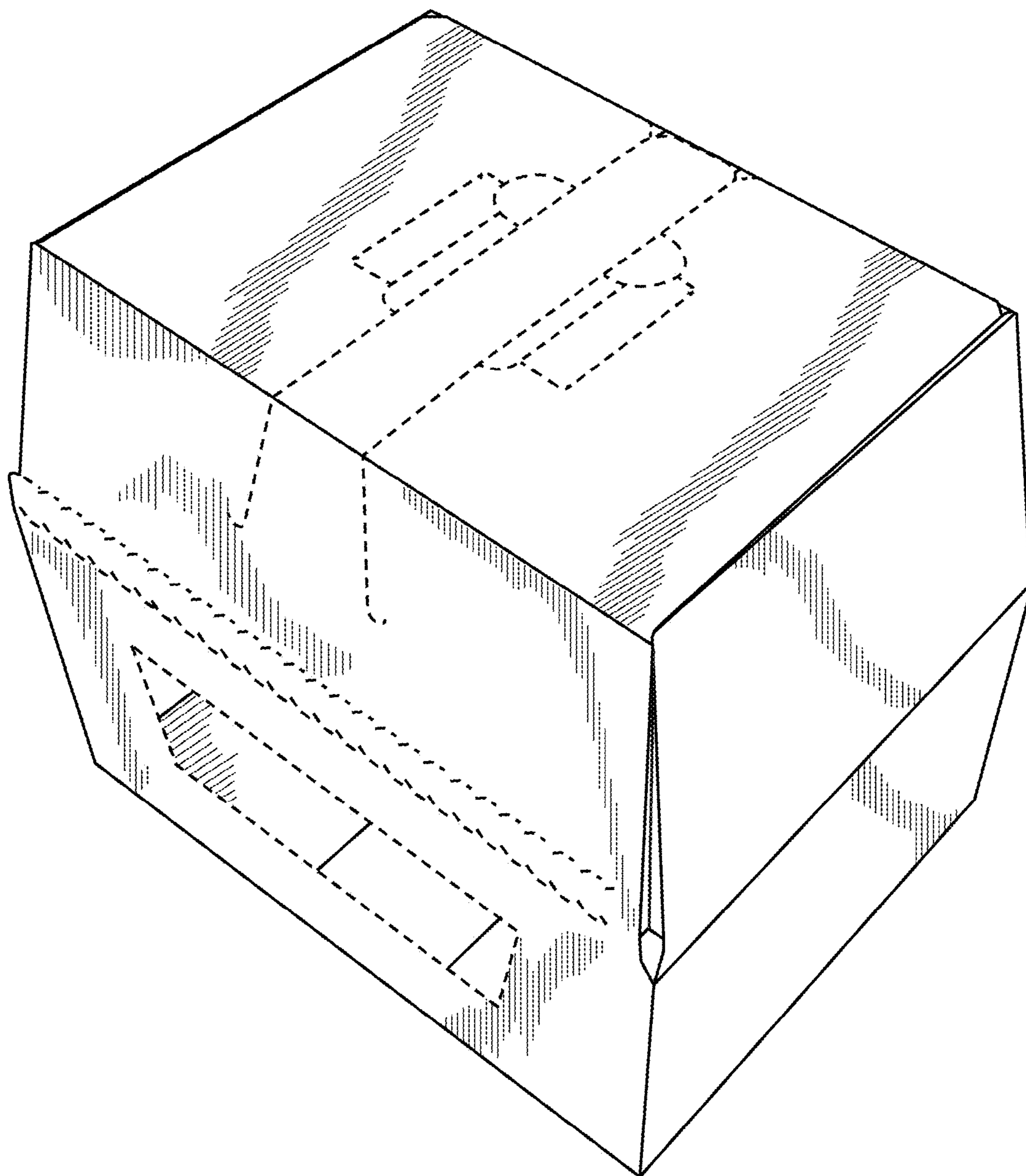


FIG. 1

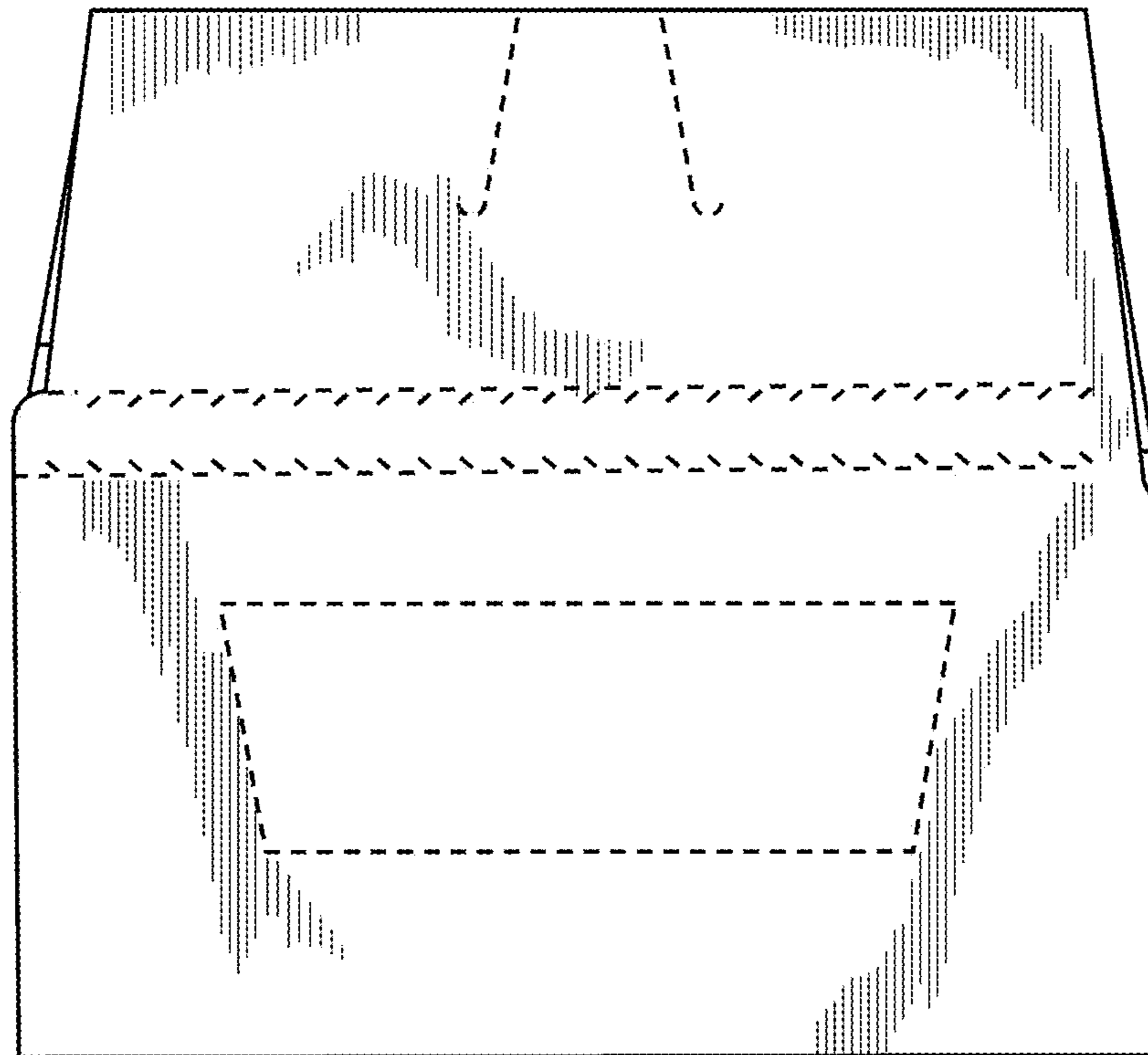


FIG. 2

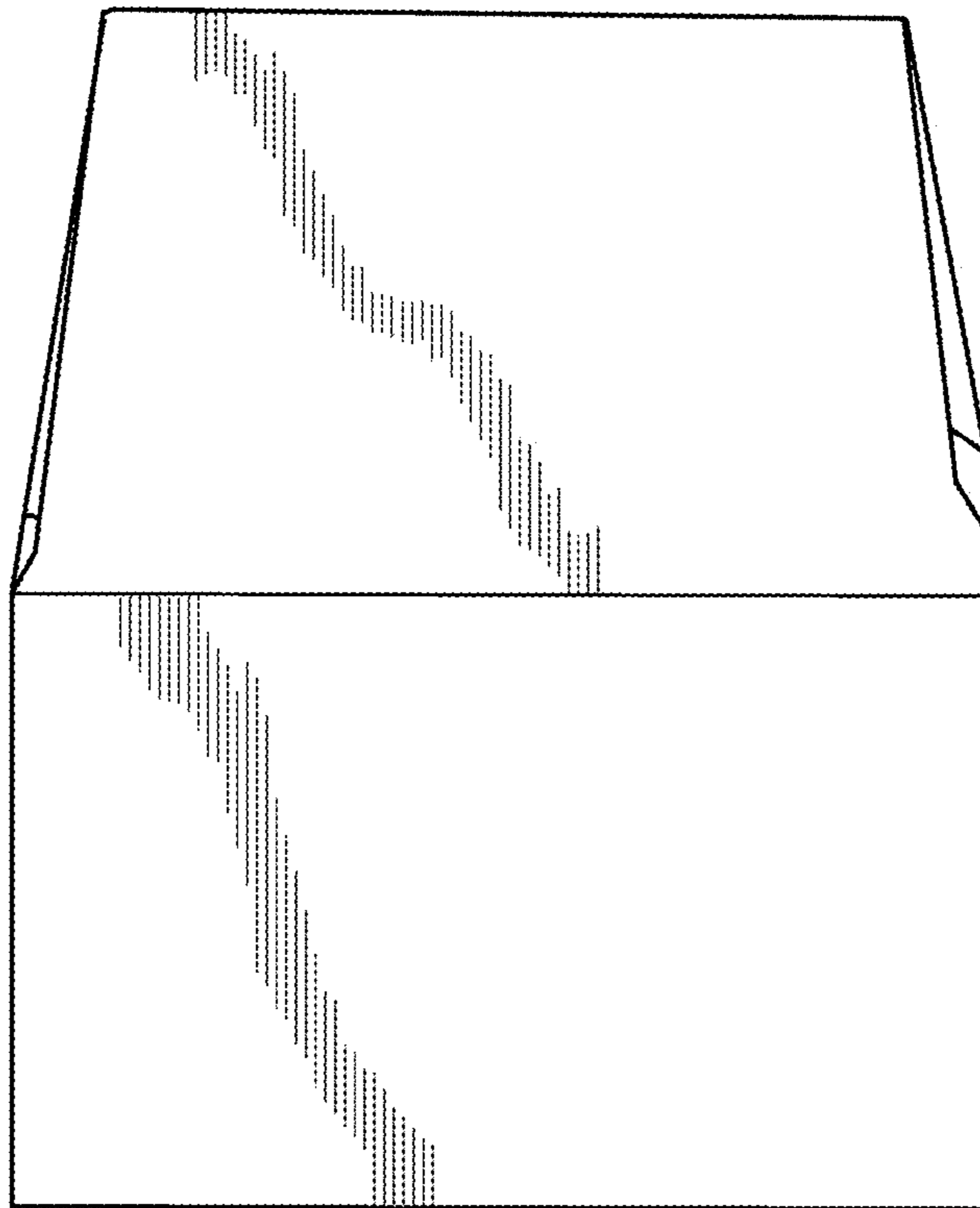


FIG. 3

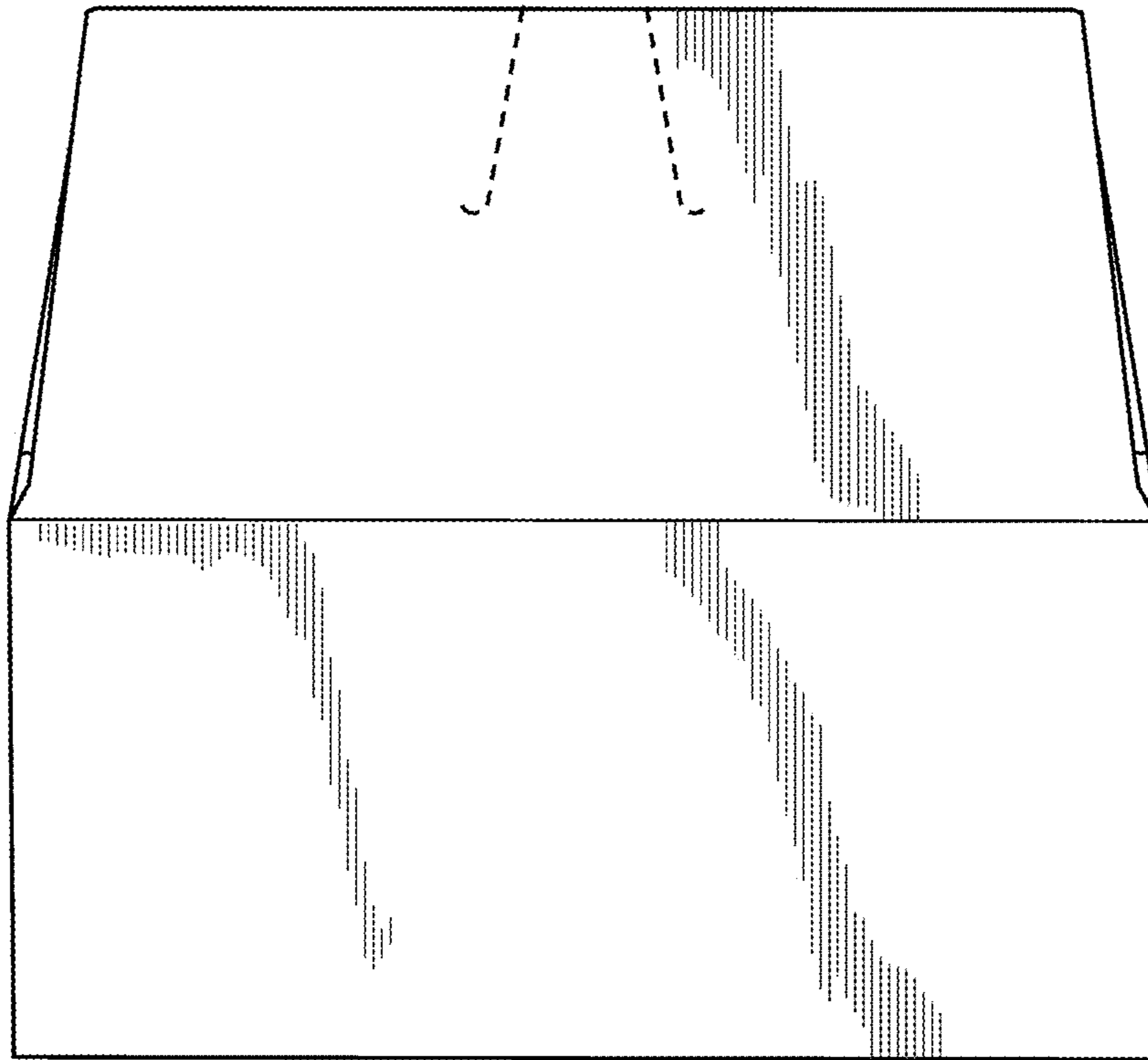


FIG. 4

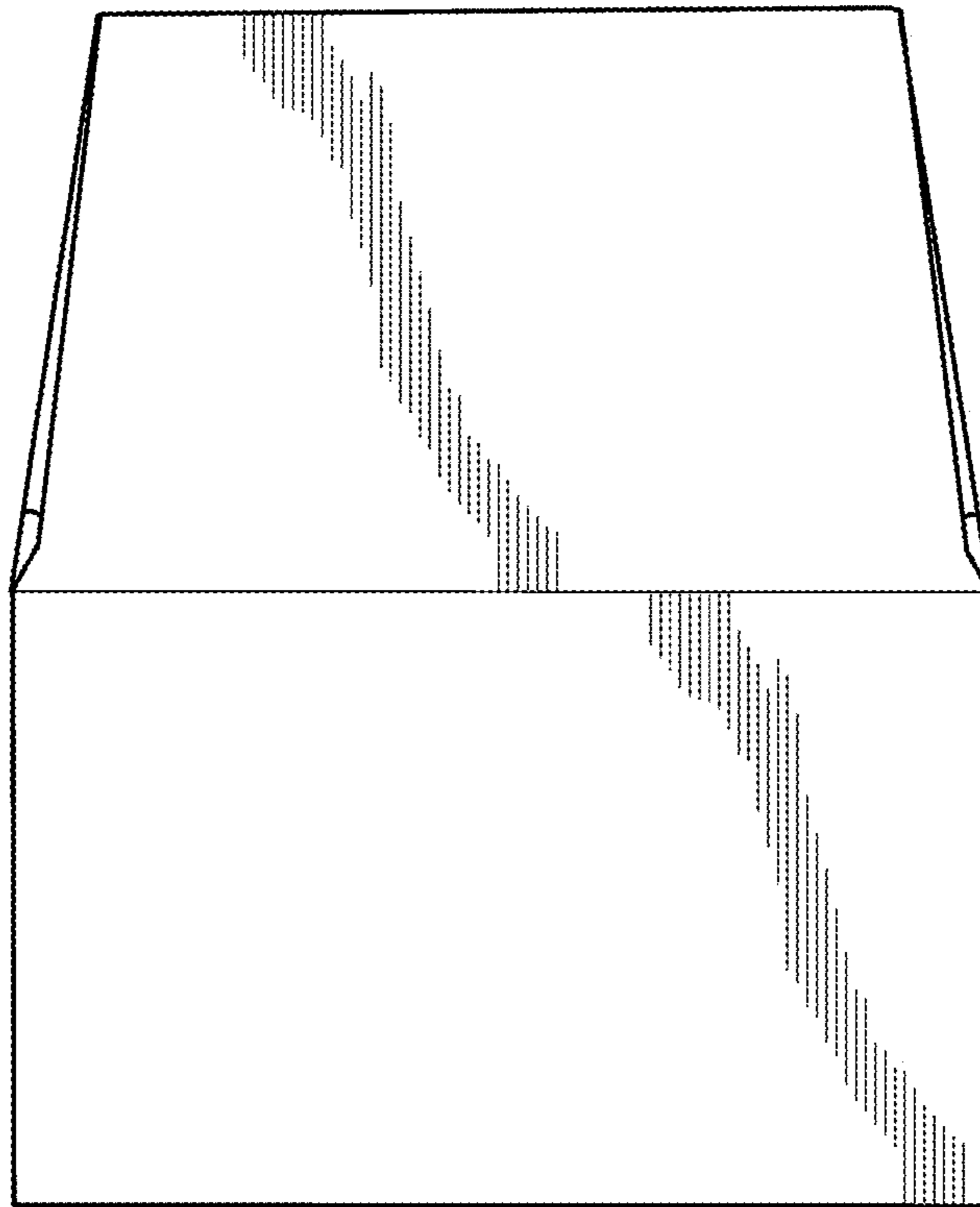


FIG. 5

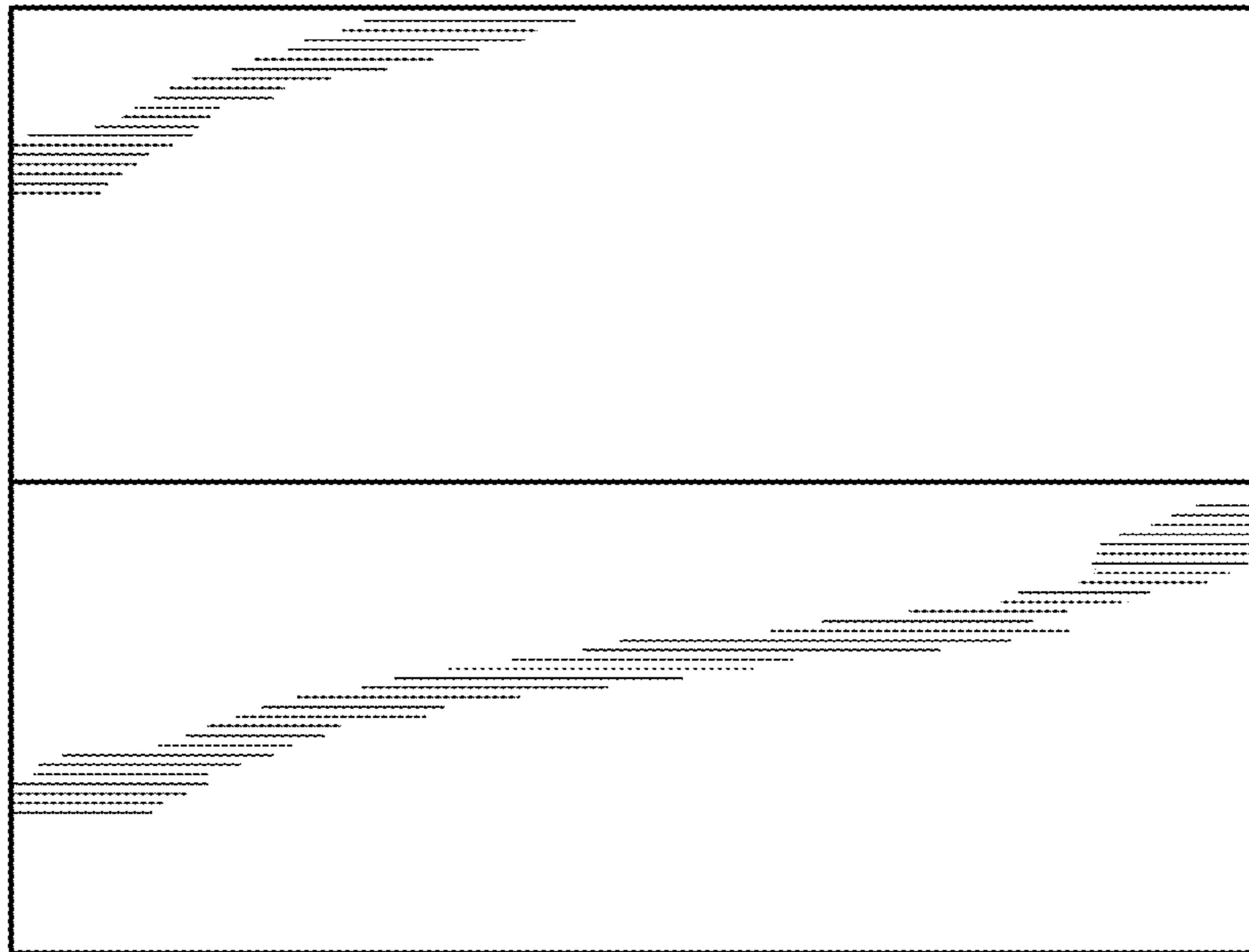


FIG. 6

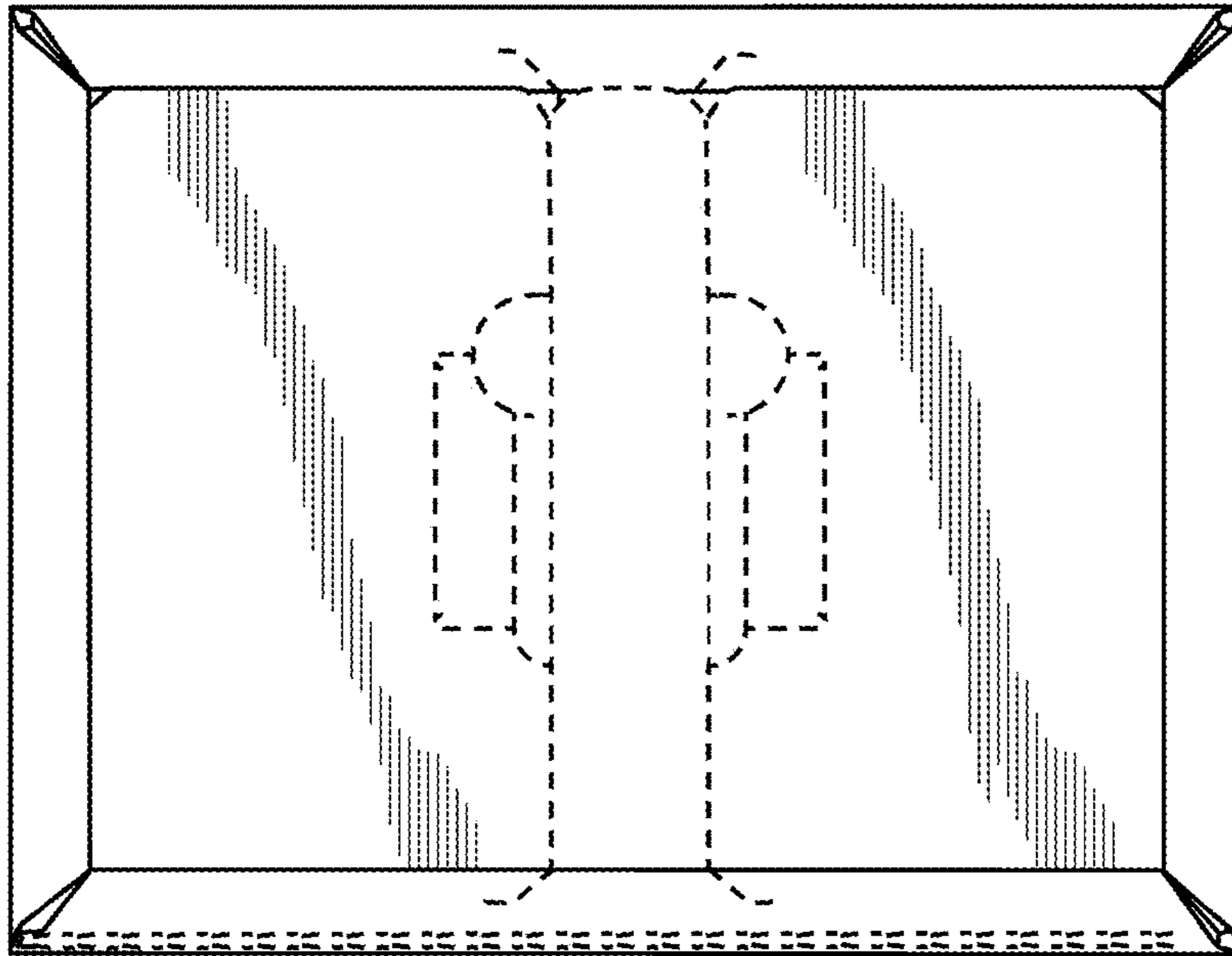


FIG. 7

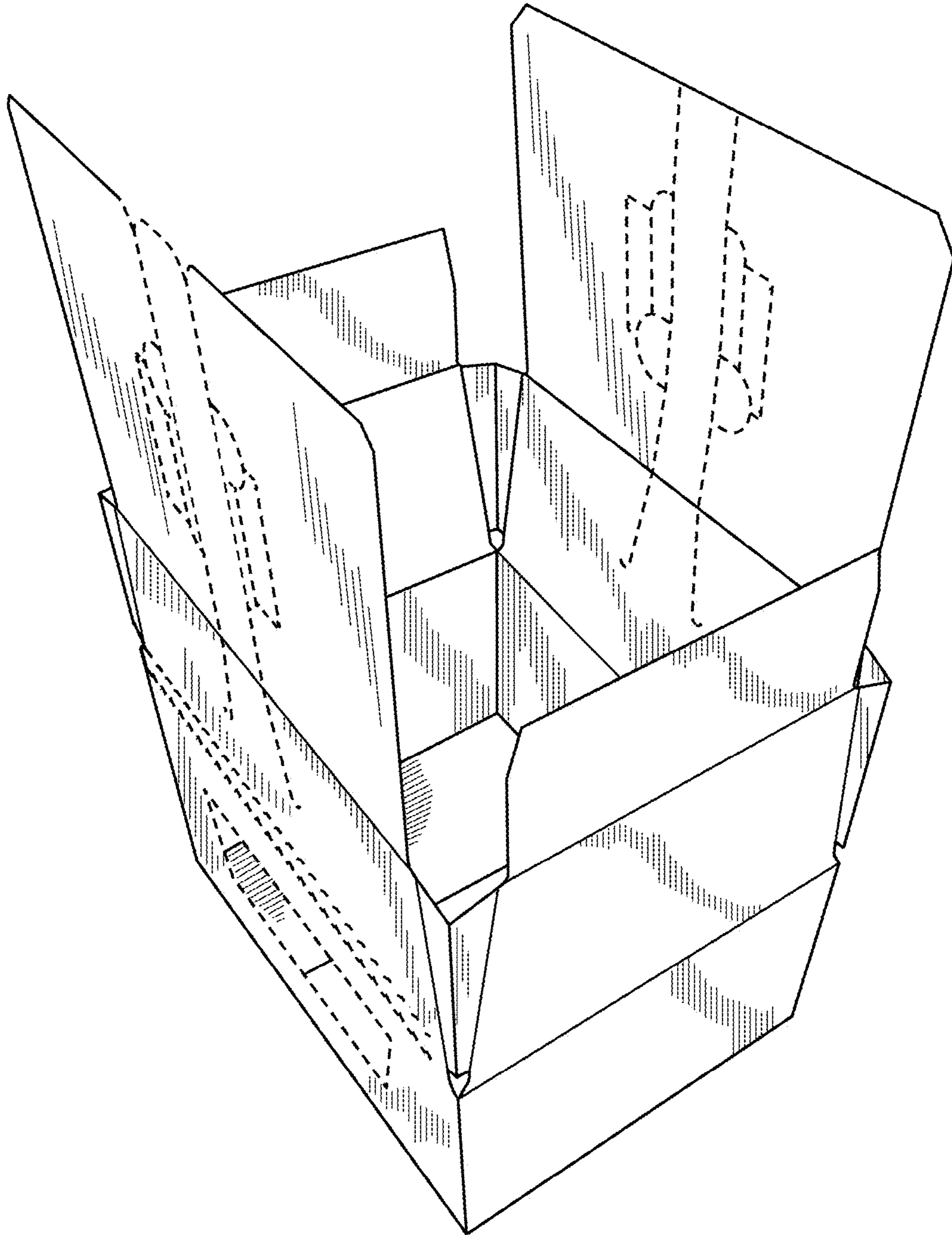


FIG. 8

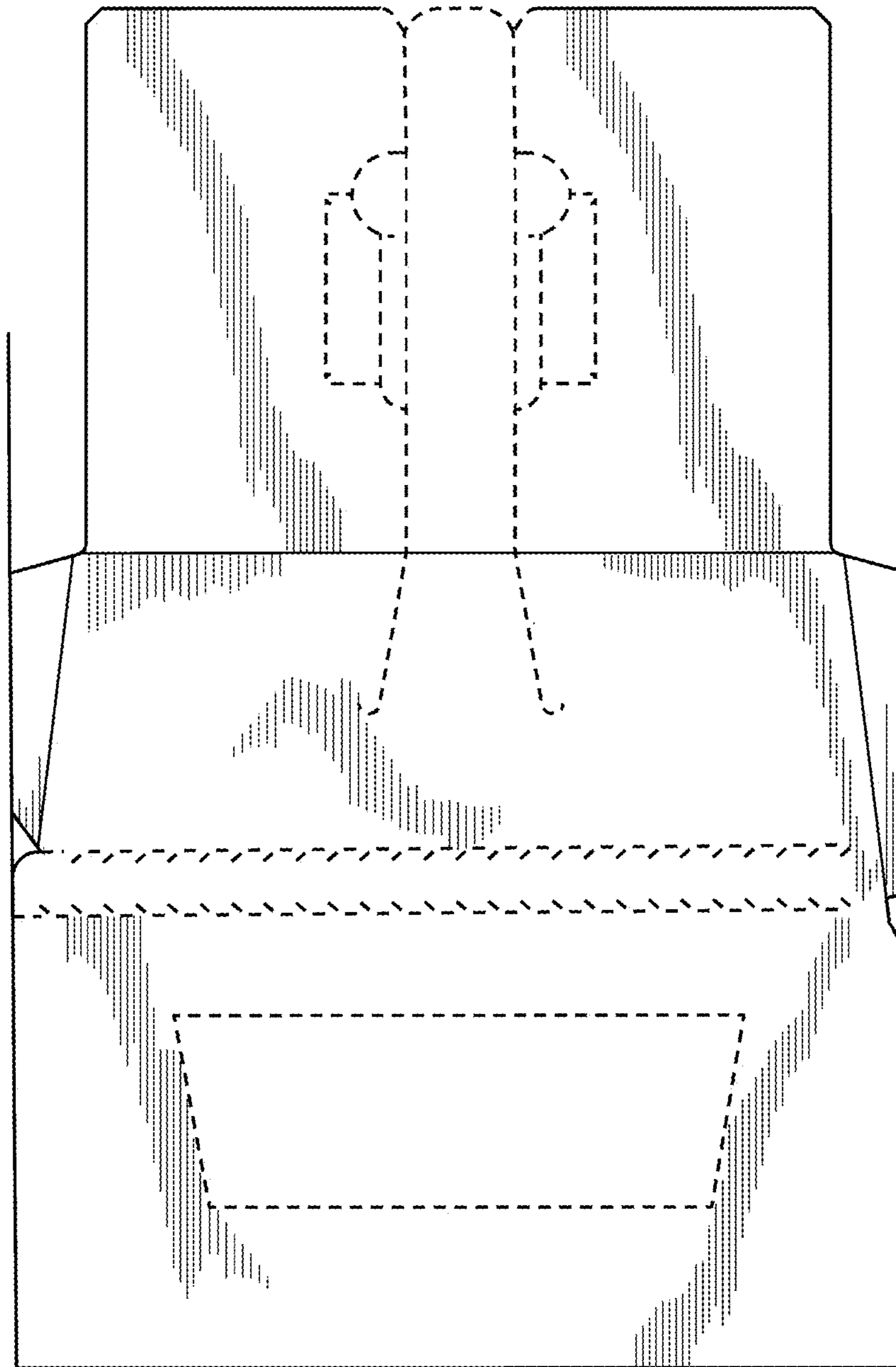


FIG. 9

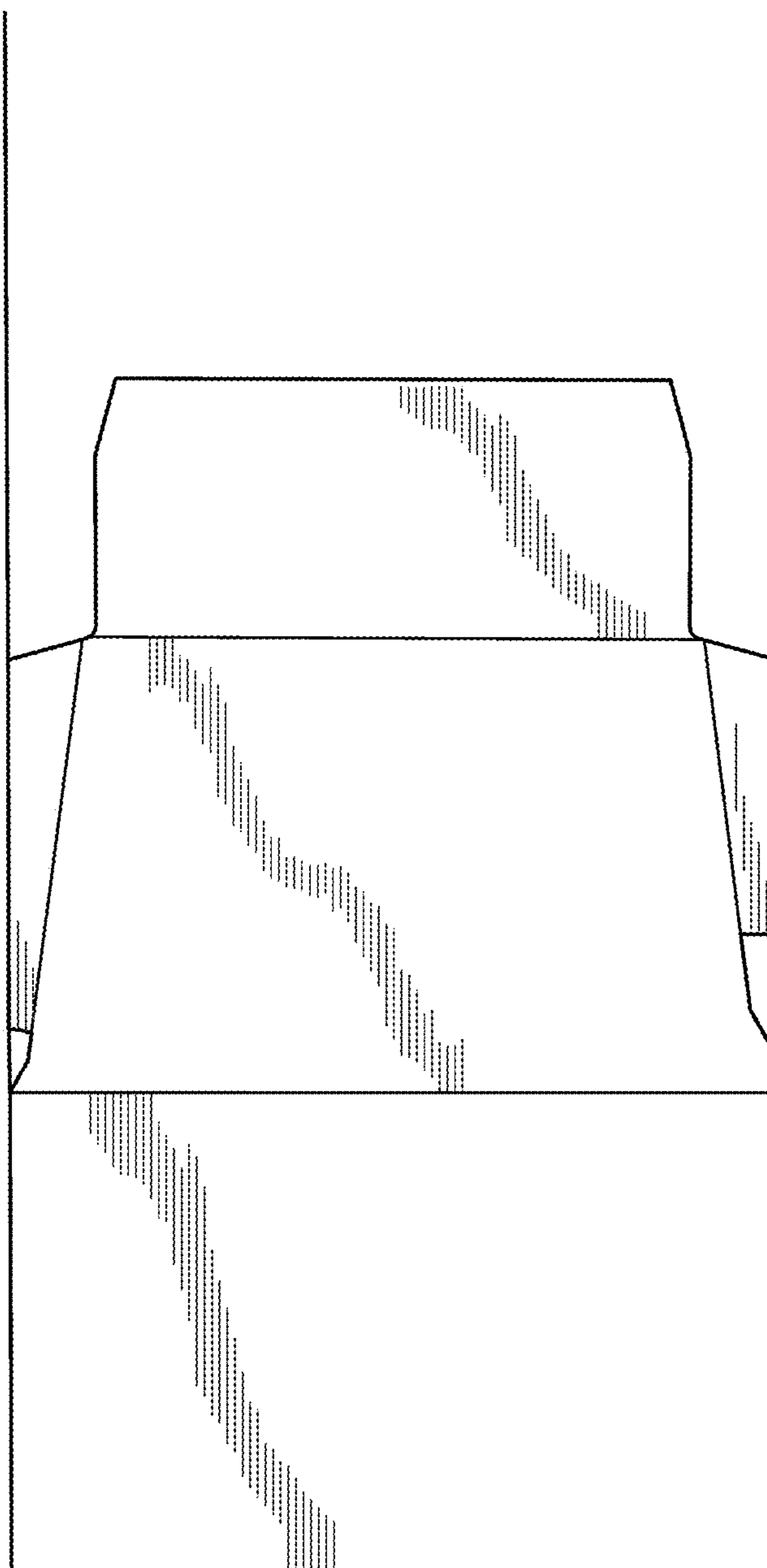


FIG. 10

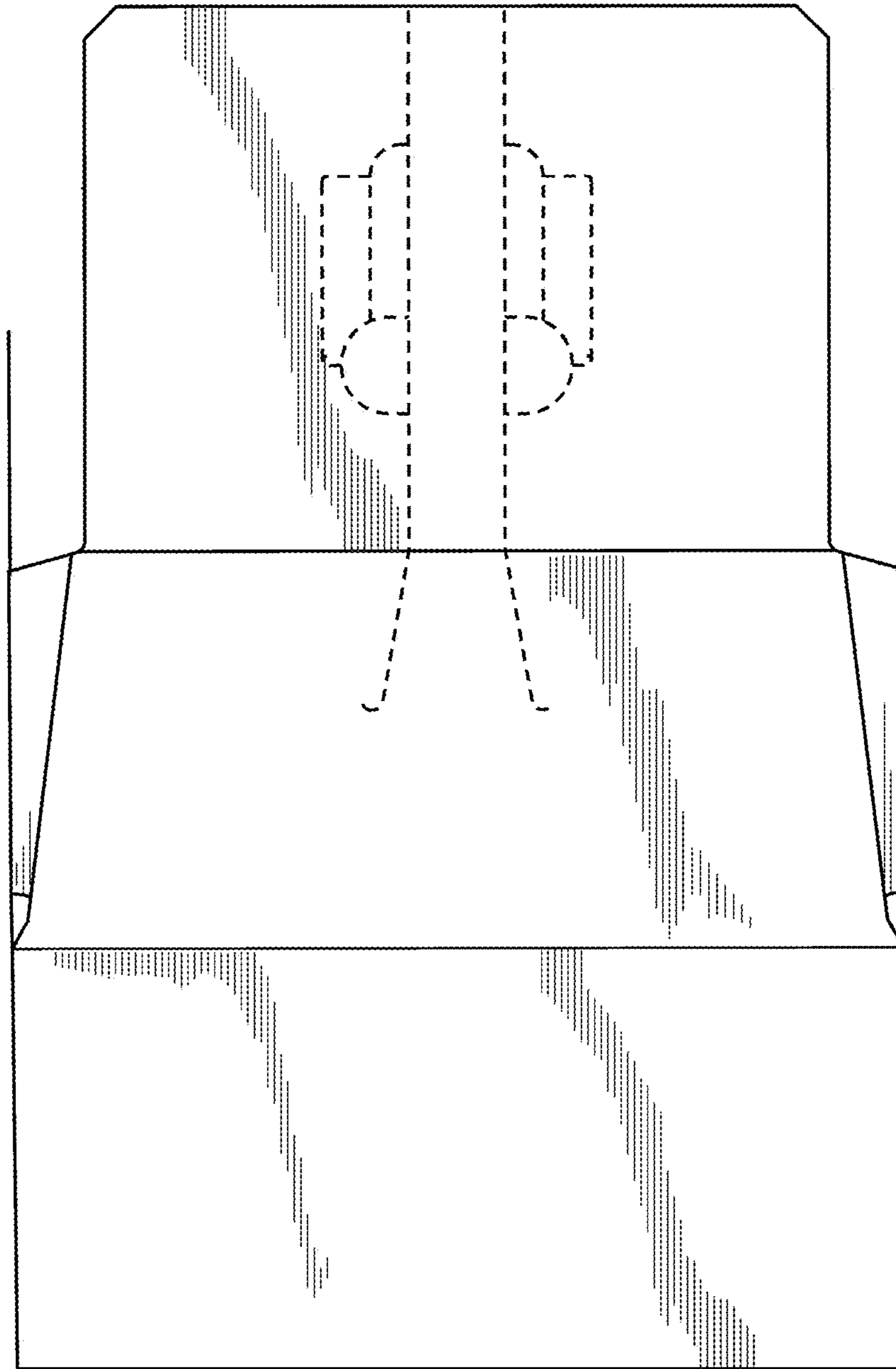


FIG. 11

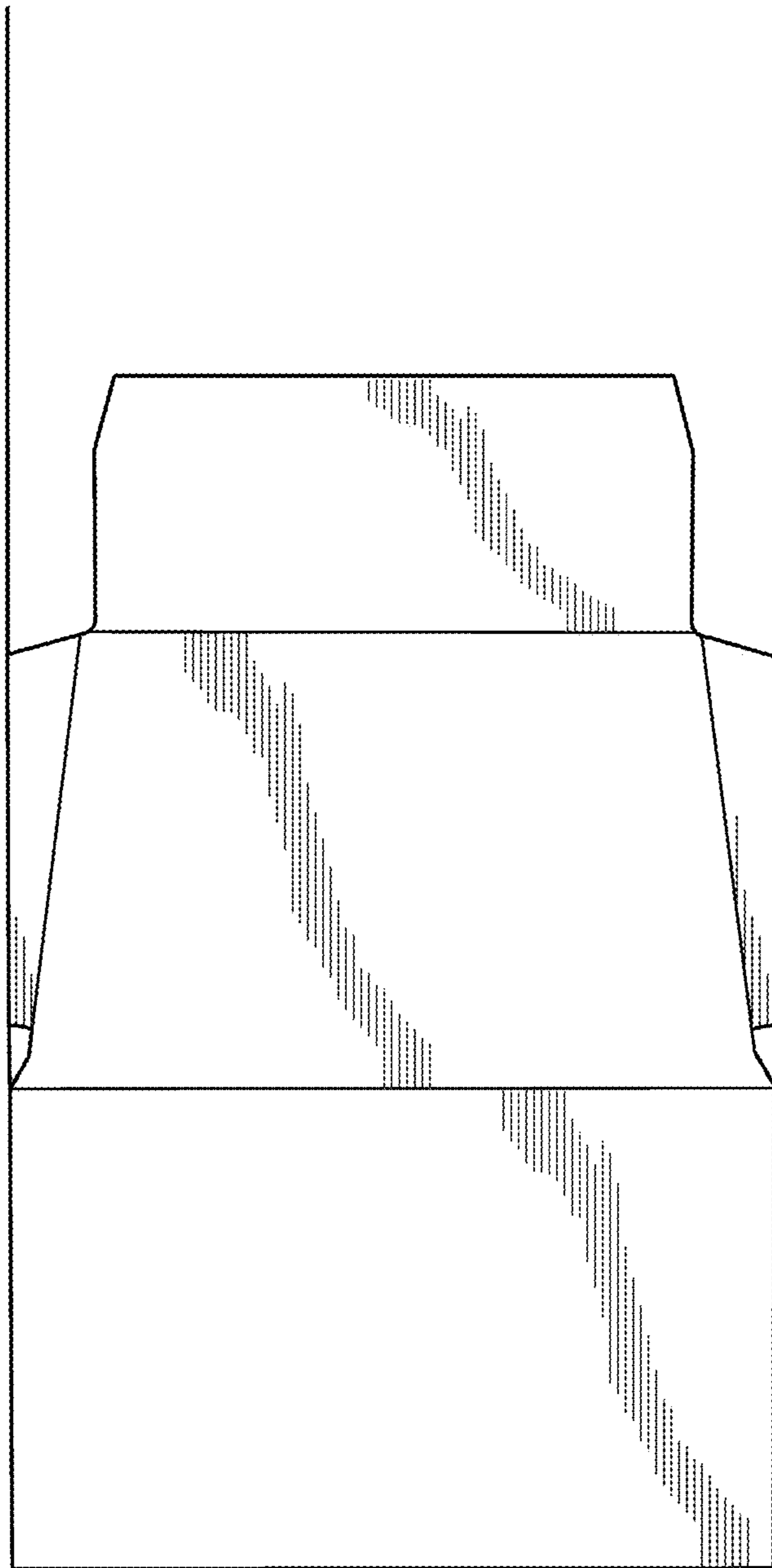


FIG. 12

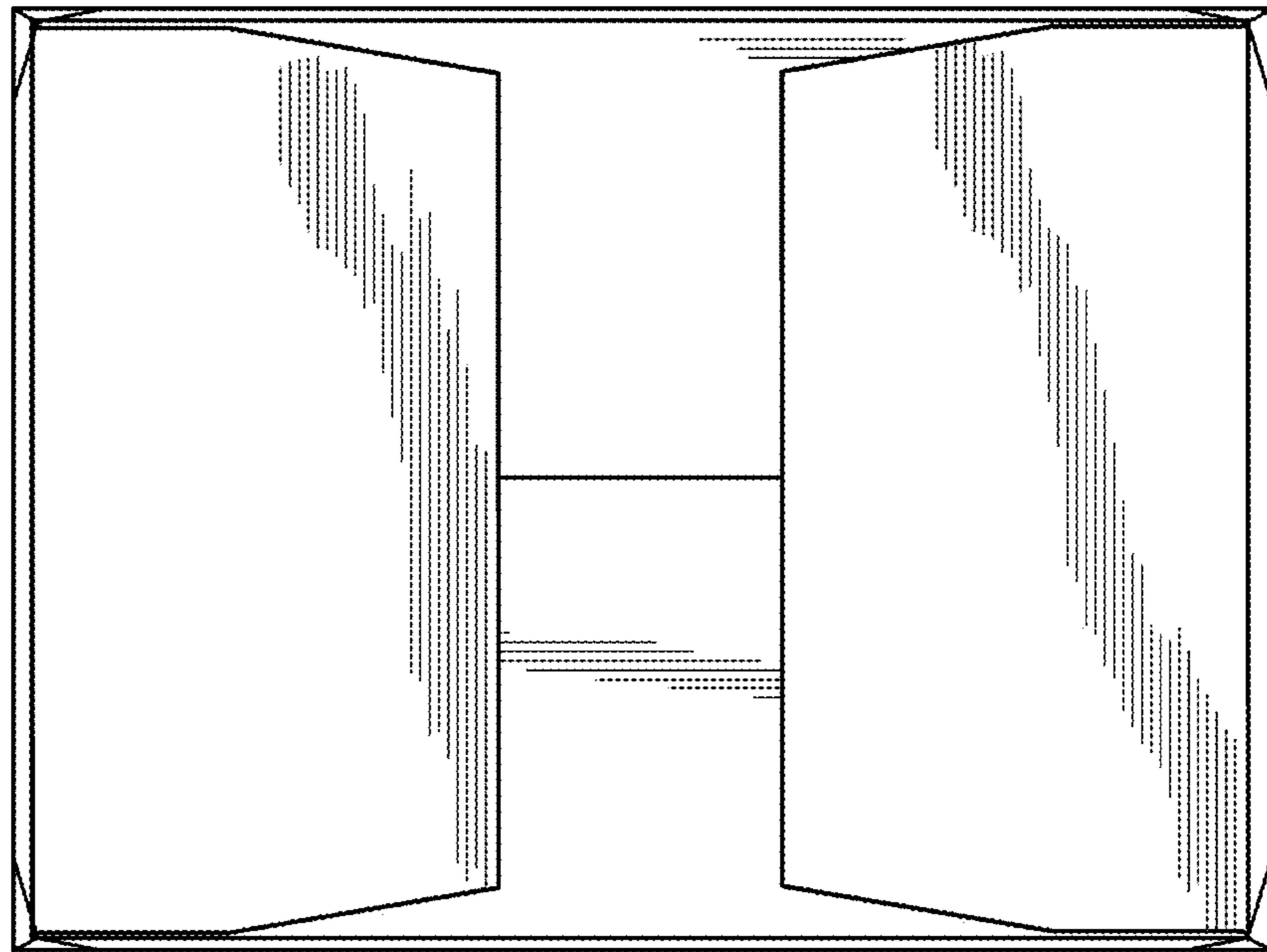


FIG. 13

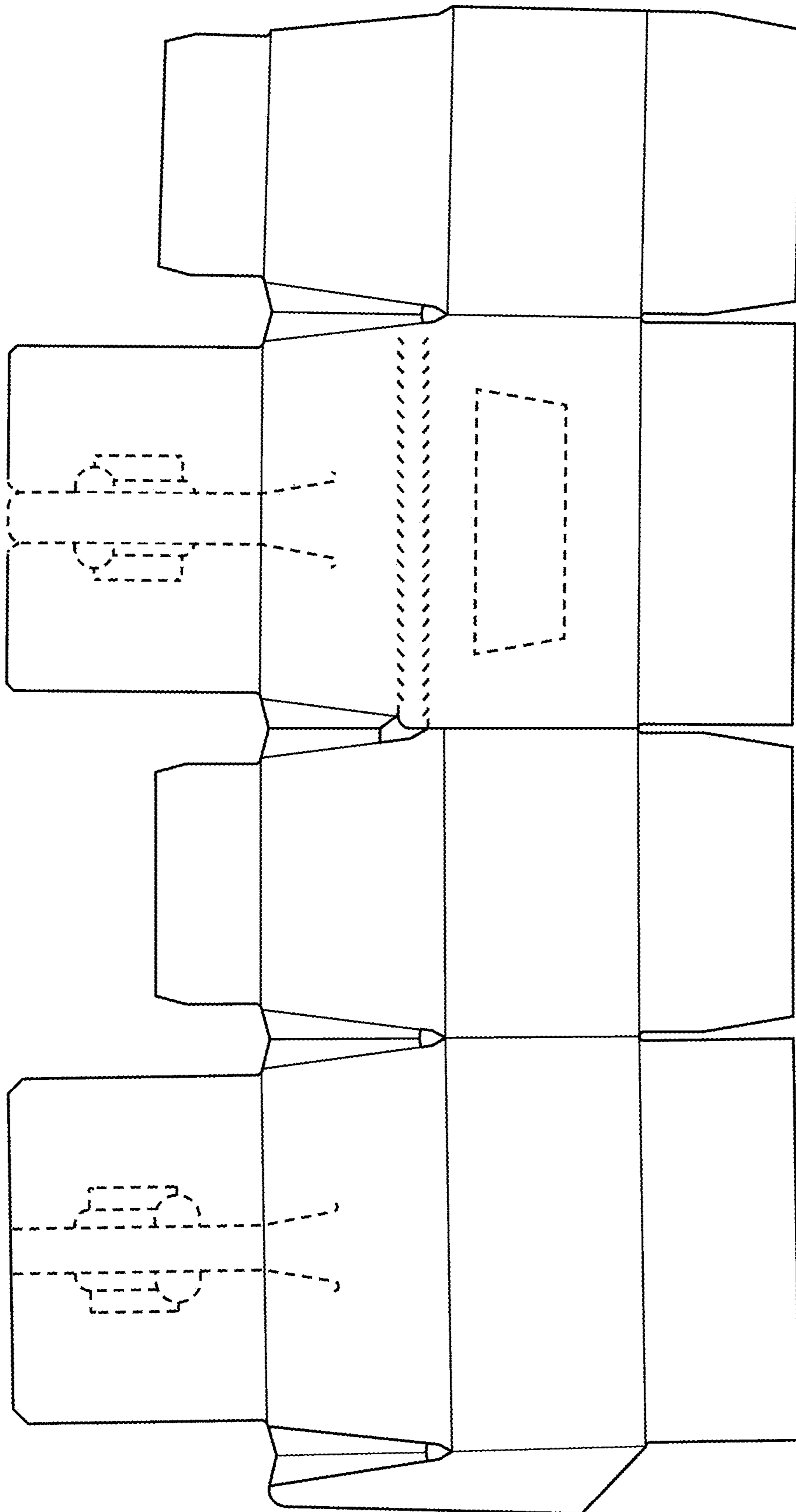


FIG. 14