



US00D881689S

(12) **United States Design Patent**  
**MacDonald**

(10) **Patent No.:** **US D881,689 S**  
(45) **Date of Patent:** **\*\* Apr. 21, 2020**

- (54) **DOOR JAMB**
- (71) Applicant: **Endura Products, Inc.**, Colfax, NC  
(US)
- (72) Inventor: **Kevin T. MacDonald**, Greensboro, NC  
(US)
- (73) Assignee: **Endura Products, Inc.**, Colfax, NC  
(US)
- (\*\*) Term: **15 Years**
- (21) Appl. No.: **29/608,932**
- (22) Filed: **Jun. 27, 2017**

**Related U.S. Application Data**

- (63) Continuation of application No. 15/176,421, filed on Jun. 8, 2016, now Pat. No. 9,803,413.
- (51) **LOC (12) Cl.** ..... **08-09**
- (52) **U.S. Cl.**  
USPC ..... **D8/400; D25/60; D25/119**
- (58) **Field of Classification Search**  
USPC .... D25/60, 61, 119-126, 35, 38.1, 41.1, 43, D25/44, 47.1, 48.1, 48.2, 48.3, 48.4, 48.7, D25/55-57; D8/400, 349, 353, 354, 355, D8/363, 373, 376, 380, 381, 382, 403  
CPC ..... E06B 1/60; E06B 1/6015; E06B 1/6069; E06B 1/6076; E06B 1/6092; E06B 1/62; E06B 1/68; E06B 1/70  
See application file for complete search history.

**References Cited**

**U.S. PATENT DOCUMENTS**

- 1,608,533 A \* 11/1926 Rockwell ..... E06B 1/32  
144/355
- 4,281,480 A 8/1981 Wendt ..... 49/504
- 4,439,965 A 4/1984 Langenhorst ..... 52/211

- 4,858,384 A \* 8/1989 Blankenship ..... E05B 15/0205  
49/460
- 5,058,323 A 10/1991 Gerritsen ..... 49/504
- 5,203,130 A 4/1993 Freelove ..... 52/211
- 5,528,869 A 6/1996 Boomer et al. .... 52/212
- 5,836,118 A 11/1998 Thornton et al. .... 52/204.1
- 5,873,209 A 2/1999 Hagel ..... 52/656.4
- 5,987,843 A 11/1999 Canfield ..... 52/656.4
- 6,003,277 A 12/1999 Graham et al. .... 52/309.7
- 6,125,605 A 10/2000 Young ..... 52/717.01
- 6,378,266 B1 4/2002 Ellingson ..... 52/656.4
- 6,453,631 B1 9/2002 Headrick ..... 52/210
- D474,283 S \* 5/2003 Graber ..... D25/60
- 6,604,334 B2 8/2003 Rochman ..... 52/717.01
- D527,114 S \* 8/2006 Hamill ..... D25/124
- 7,204,059 B2 \* 4/2007 Schiffmann ..... E04G 21/30  
49/460
- 7,765,768 B2 8/2010 Liang et al. .... 52/784.1
- 8,178,643 B2 5/2012 Edstrom et al. .... 528/60
- 8,230,652 B2 7/2012 An ..... 52/210
- 8,499,509 B2 8/2013 Sibbett ..... 52/211
- D701,323 S \* 3/2014 Fortun ..... E06B 1/70  
D25/48.2
- 8,857,107 B1 10/2014 Key ..... 49/460
- D725,796 S \* 3/2015 Van Camp ..... D25/119
- D745,707 S \* 12/2015 Ellingson ..... D25/119

(Continued)

*Primary Examiner* — Keli L Hill

*Assistant Examiner* — Harold E Blackwell, II

(74) *Attorney, Agent, or Firm* — MacCord Mason PLLC

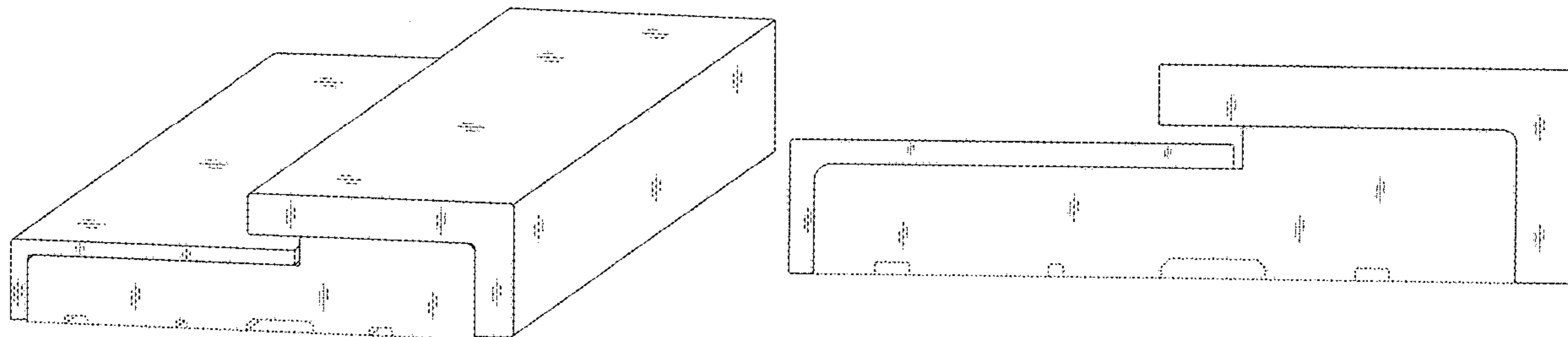
(57) **CLAIM**

The ornamental design for a door jamb, as shown and described.

**DESCRIPTION**

FIG. 1 is an end perspective view of a door jamb according to the present disclosure; and, FIG. 2 is an end view thereof. The broken lines in the drawings illustrate portions of the door jamb which form no part of the claimed design.

**1 Claim, 2 Drawing Sheets**



(56)

**References Cited**

U.S. PATENT DOCUMENTS

|              |      |         |              |       |           |
|--------------|------|---------|--------------|-------|-----------|
| 9,803,413    | B2 * | 10/2017 | MacDonald    | ..... | E06B 1/34 |
| D815,302     | S *  | 4/2018  | Chapman      | ..... | D25/60    |
| D815,304     | S *  | 4/2018  | Chapman      | ..... | D25/60    |
| D843,598     | S *  | 3/2019  | Chapman      | ..... | D25/60    |
| D855,832     | S *  | 8/2019  | Chapman      | ..... | D25/60    |
| 2005/0257455 | A1   | 11/2005 | Fagan        | ..... | 52/210    |
| 2006/0123720 | A1   | 6/2006  | Liu          | ..... | 52/211    |
| 2008/0178553 | A1   | 7/2008  | Micho et al. | ..... | 52/656.4  |
| 2009/0255197 | A1   | 10/2009 | Chapman      | ..... | 52/210    |
| 2011/0138714 | A1   | 6/2011  | Van Seters   | ..... | 52/204.5  |
| 2017/0241190 | A1 * | 8/2017  | MacDonald    | ..... | E06B 1/34 |
| 2018/0258684 | A1 * | 9/2018  | MacDonald    | ..... | E06B 1/10 |
| 2019/0128048 | A1 * | 5/2019  | MacDonald    | ..... | E06B 1/30 |

\* cited by examiner

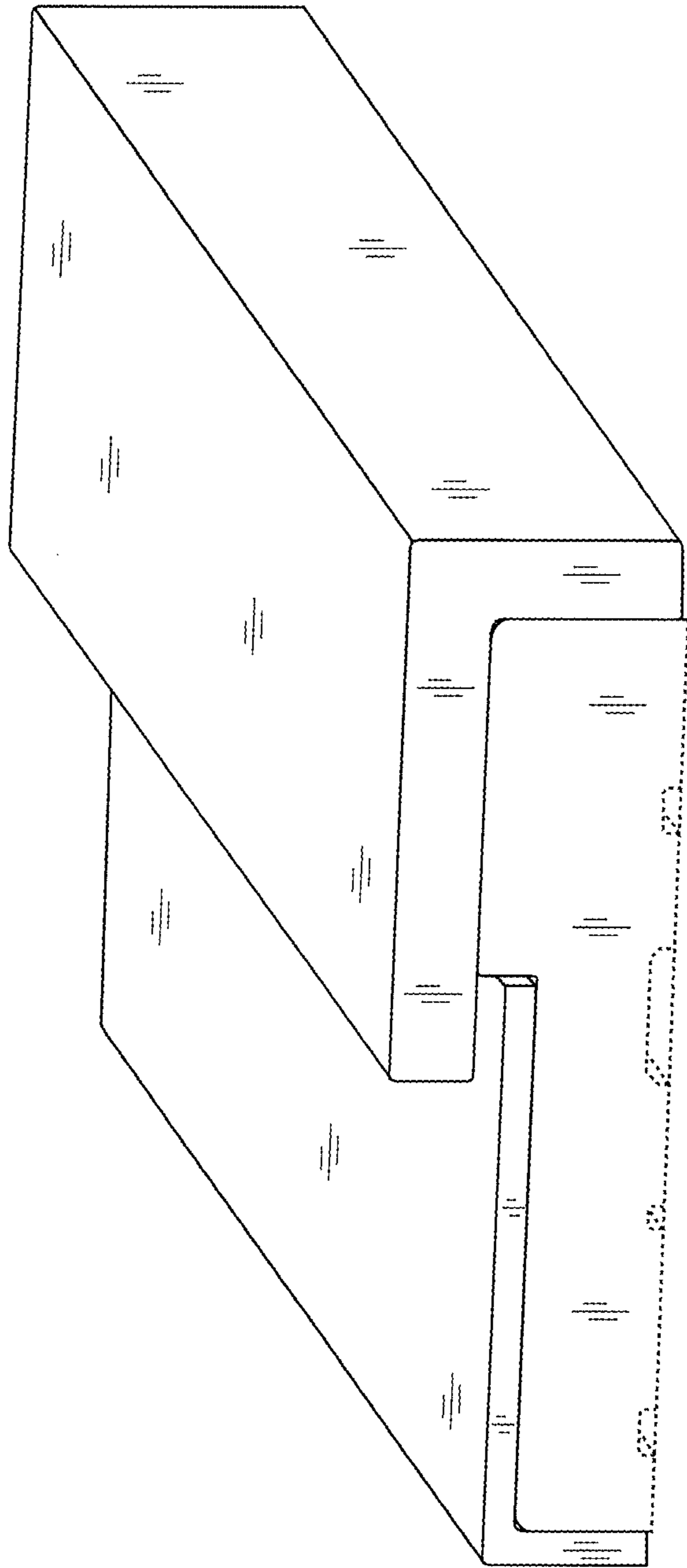


FIG. 1

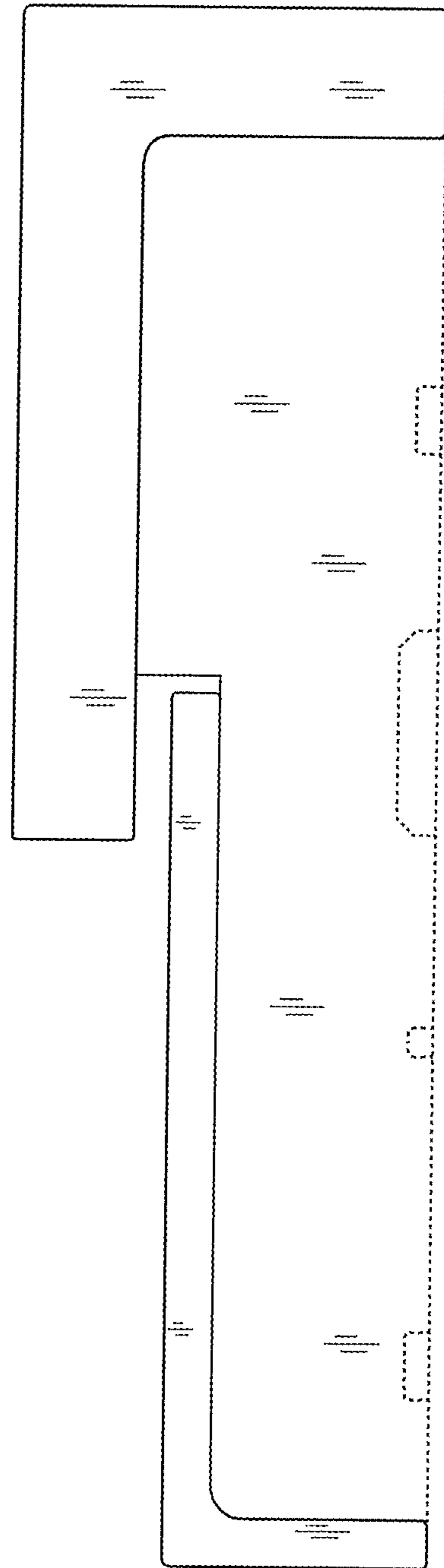


FIG. 2