



US00D881685S

(12) **United States Design Patent** (10) **Patent No.:** **US D881,685 S**
Witherbee et al. (45) **Date of Patent:** **** Apr. 21, 2020**

(54) **PIPE SADDLE** D326,927 S 6/1992 Catalina
D363,016 S 10/1995 Sipprelle, III et al.
(71) Applicant: **Eaton Intelligent Power Limited,** D364,555 S 11/1995 Neiert
Dublin (IE) D375,453 S 11/1996 Fleck
5,642,557 A 7/1997 Clews
(72) Inventors: **Martin Lee Witherbee,** Godfrey, IL 5,816,684 A * 10/1998 Yu F21V 21/06
(US); **Robert John Reese,** 362/191
Edwardsville, IL (US) D426,577 S 6/2000 Mackey et al.
D438,453 S 3/2001 Nelson et al.
6,224,025 B1 5/2001 Alvarez
(73) Assignee: **Eaton Intelligent Power Limited,** D443,198 S 6/2001 Snyder
Dublin (IE) D473,128 S 4/2003 Costa
6,691,742 B1 * 2/2004 Cooper F16L 3/14
138/106
(**) Term: **15 Years** D550,540 S * 9/2007 Nawrocki D8/354
D554,978 S * 11/2007 Radke D8/354
(21) Appl. No.: **29/703,243** D561,552 S 2/2008 Tsuchida
D563,771 S 3/2008 Prechtel et al.
(22) Filed: **Aug. 26, 2019** 7,677,505 B2 3/2010 Deichman
(Continued)

Related U.S. Application Data

(62) Division of application No. 29/656,663, filed on Jul. 15, 2018.
(51) **LOC (12) Cl.** **08-08**
(52) **U.S. Cl.**
USPC **D8/396**
(58) **Field of Classification Search**
USPC D8/394-399, 354, 355, 356, 59, 71-74;
D7/683, 685, 686; D15/140; D24/143;
D6/684; 248/62, 63, 72, 74.1, 689,
248/124.2; 81/487, 385, 386, 388-390;
269/3, 4, 6, 143, 165, 240, 243, 246-249,
269/254 R, 147-149; 29/256, 257, 276;
408/103, 104-109
CPC B25B 1/00; B25B 5/00; B25B 1/2478;
B25B 1/103; B25B 1/22; B25B 1/2405;
B25B 1/2457
See application file for complete search history.

(56) **References Cited**

U.S. PATENT DOCUMENTS

D228,738 S * 10/1973 Rubin de Cervin D8/394
D306,553 S 3/1990 Rumpel

FOREIGN PATENT DOCUMENTS

WO 2017173047 A1 10/2017

Primary Examiner — Nathan M Johnston

(74) *Attorney, Agent, or Firm* — Stinson LLP

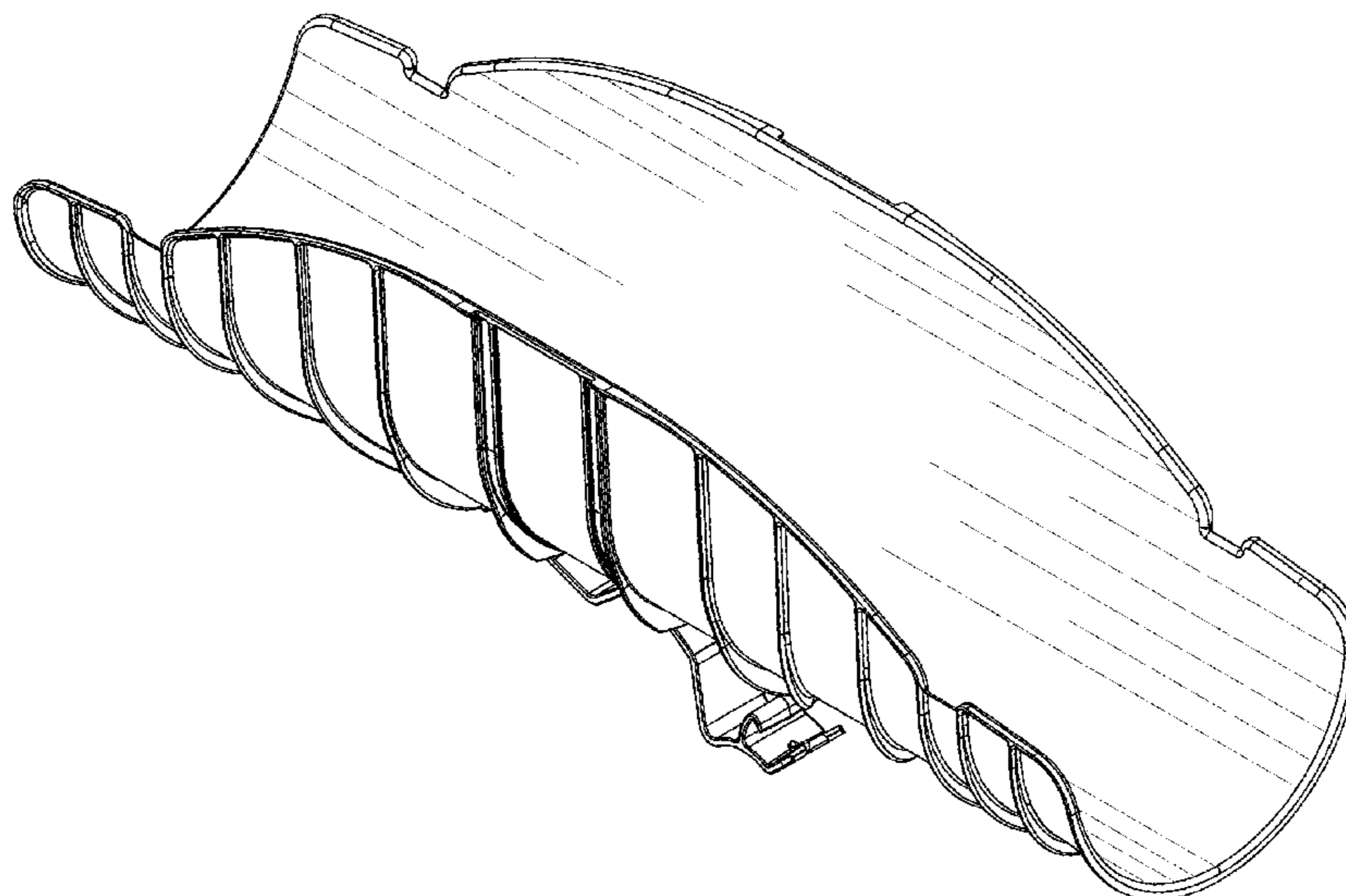
(57) **CLAIM**

The ornamental design for a pipe saddle, as shown and described.

DESCRIPTION

FIG. 1 is a perspective of a pipe saddle showing our new design;
FIG. 2 is a front elevational view of the pipe saddle;
FIG. 3 is a right elevational view of the pipe saddle;
FIG. 4 is a top plan view of the pipe saddle;
FIG. 5 is a rear elevational view of the pipe saddle;
FIG. 6 is a left elevational view of the pipe saddle; and,
FIG. 7 is a bottom plan view of the pipe saddle.

1 Claim, 7 Drawing Sheets



(56)

References Cited

U.S. PATENT DOCUMENTS

7,744,041 B2	6/2010	Boudreau	
D637,457 S *	5/2011	Thompson	D7/600.1
8,038,105 B2	10/2011	Deichmann	
8,074,943 B2	12/2011	Boudreau et al.	
D669,135 S *	10/2012	Garfinkle	D20/43
8,297,561 B1	10/2012	Montplaisir	
D672,004 S *	12/2012	Stracener	D22/108
D691,032 S	10/2013	Chen	
8,763,960 B1	7/2014	Moore et al.	
D712,729 S *	9/2014	Cushing	D8/395
D713,242 S *	9/2014	Magan	D8/396
8,833,705 B2	9/2014	Bragagna et al.	
8,839,546 B2 *	9/2014	Taylor	F41C 33/007 42/107
8,915,110 B1	12/2014	Moore et al.	
8,919,704 B2	12/2014	Lee et al.	
D736,768 S *	8/2015	Kuwabara	D14/344
D740,110 S *	10/2015	Luoma	D8/394
D747,181 S	1/2016	Hikoyama	
D747,636 S	1/2016	Maher	
D753,468 S	4/2016	Weger	
9,360,139 B1	6/2016	Clement et al.	
D760,583 S	7/2016	Weilage	
D773,696 S *	12/2016	Molinelli	D25/136
D782,928 S	4/2017	Takakuwa et al.	
D784,118 S	4/2017	Reddy	
D802,103 S	11/2017	Boudreau et al.	
9,808,845 B2	11/2017	Rebholz et al.	
D808,255 S	1/2018	Pittman	
D810,536 S *	2/2018	Hikoyama	D8/72
9,903,524 B2	2/2018	Lange et al.	
D813,660 S	3/2018	Tyner	
D815,517 S	4/2018	Van Fleet	
D821,188 S	6/2018	Smullen	
D822,455 S *	7/2018	Stahl	D8/354
D822,830 S *	7/2018	Aten	D24/128
D823,095 S *	7/2018	Stahl	D8/354
D824,756 S	8/2018	Fischer et al.	
D830,149 S	10/2018	Pippus	
D830,153 S *	10/2018	Sadofsky	D8/354
D836,428 S *	12/2018	Pittman	D8/382
D838,471 S *	1/2019	Young	D3/201
D854,192 S *	7/2019	Rokvic	D25/124
D868,574 S *	12/2019	Pittman	D8/396
2005/0116129 A1 *	6/2005	Boudreau	F16L 3/24 248/228.7
2007/0114338 A1 *	5/2007	Boudreau	F16L 3/10 248/58
2008/0203239 A1 *	8/2008	Deichman	F16L 3/1008 248/58
2016/0208979 A1	7/2016	Lange et al.	
2017/0015021 A1	1/2017	Botsolas, Jr. et al.	
2017/0284589 A1	10/2017	Boudreau et al.	

* cited by examiner

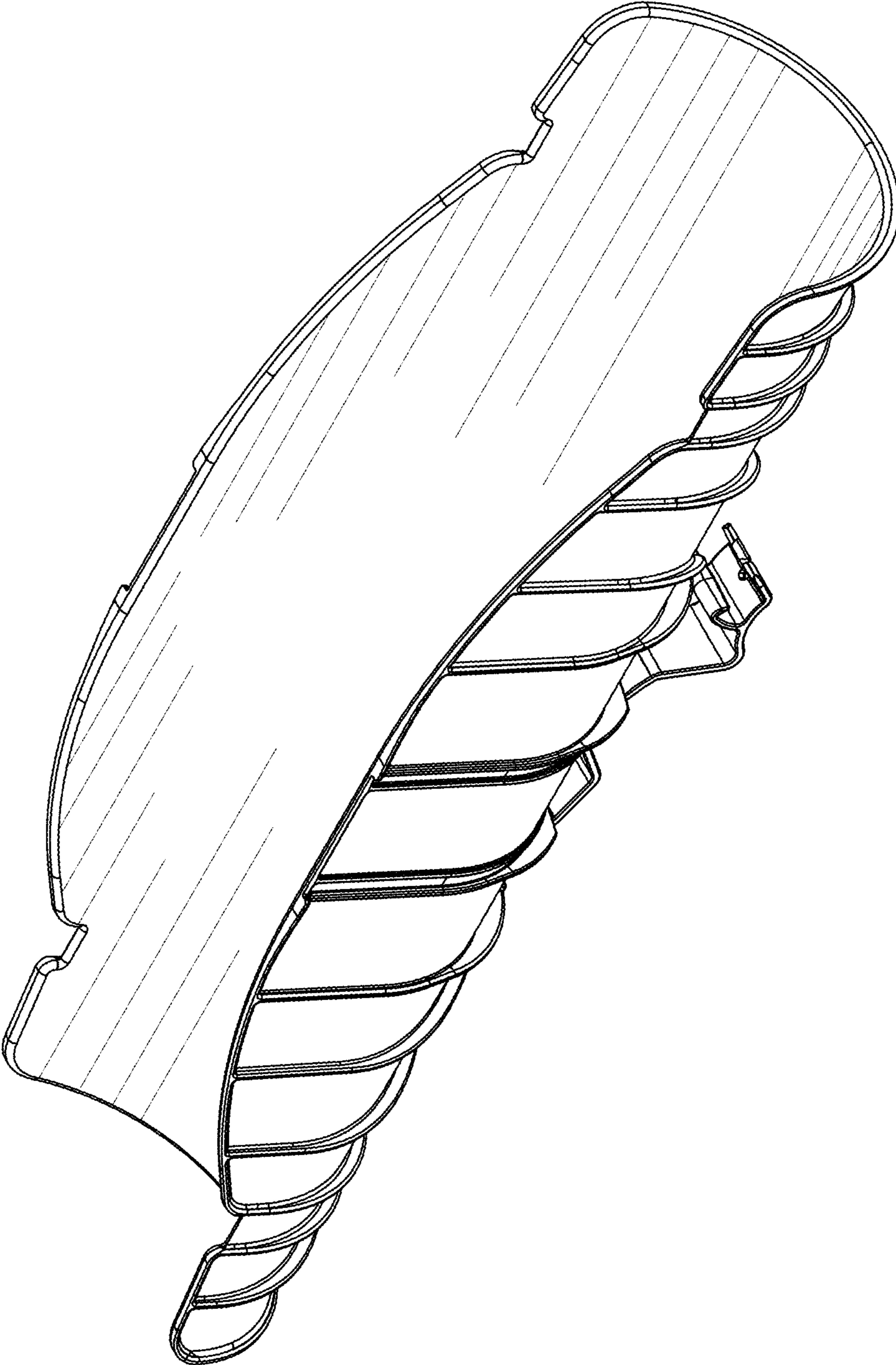


FIG. 1

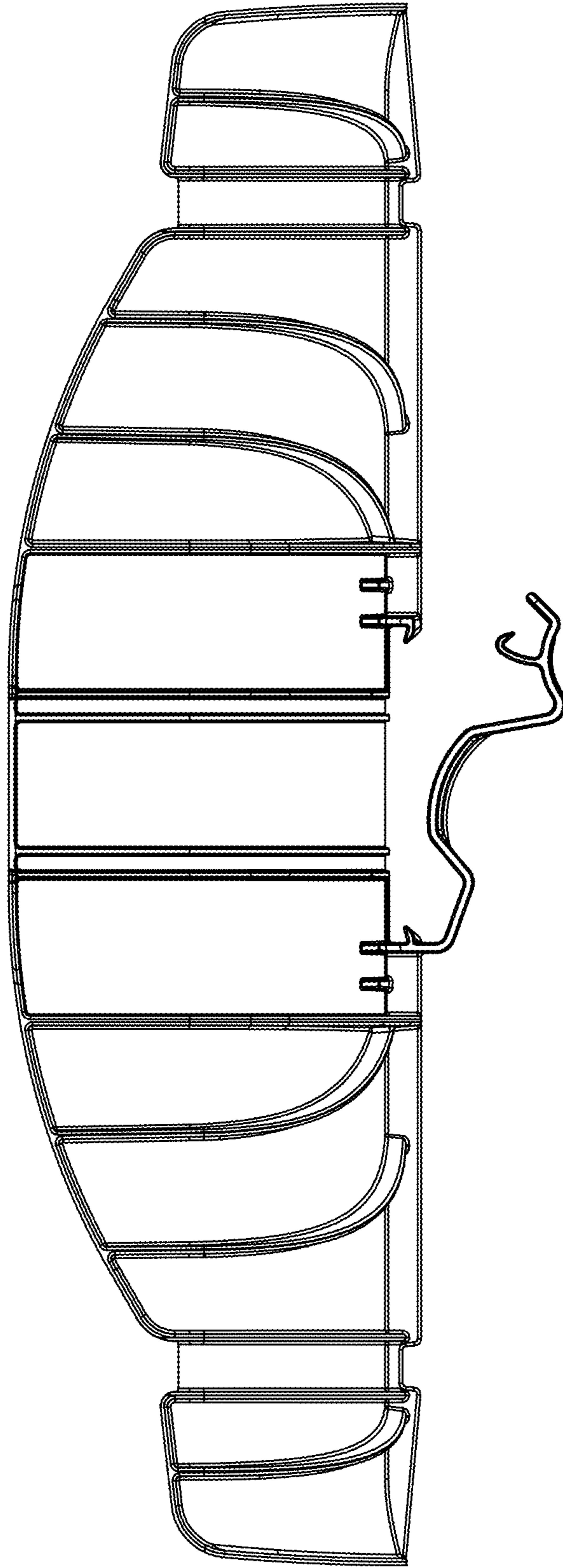
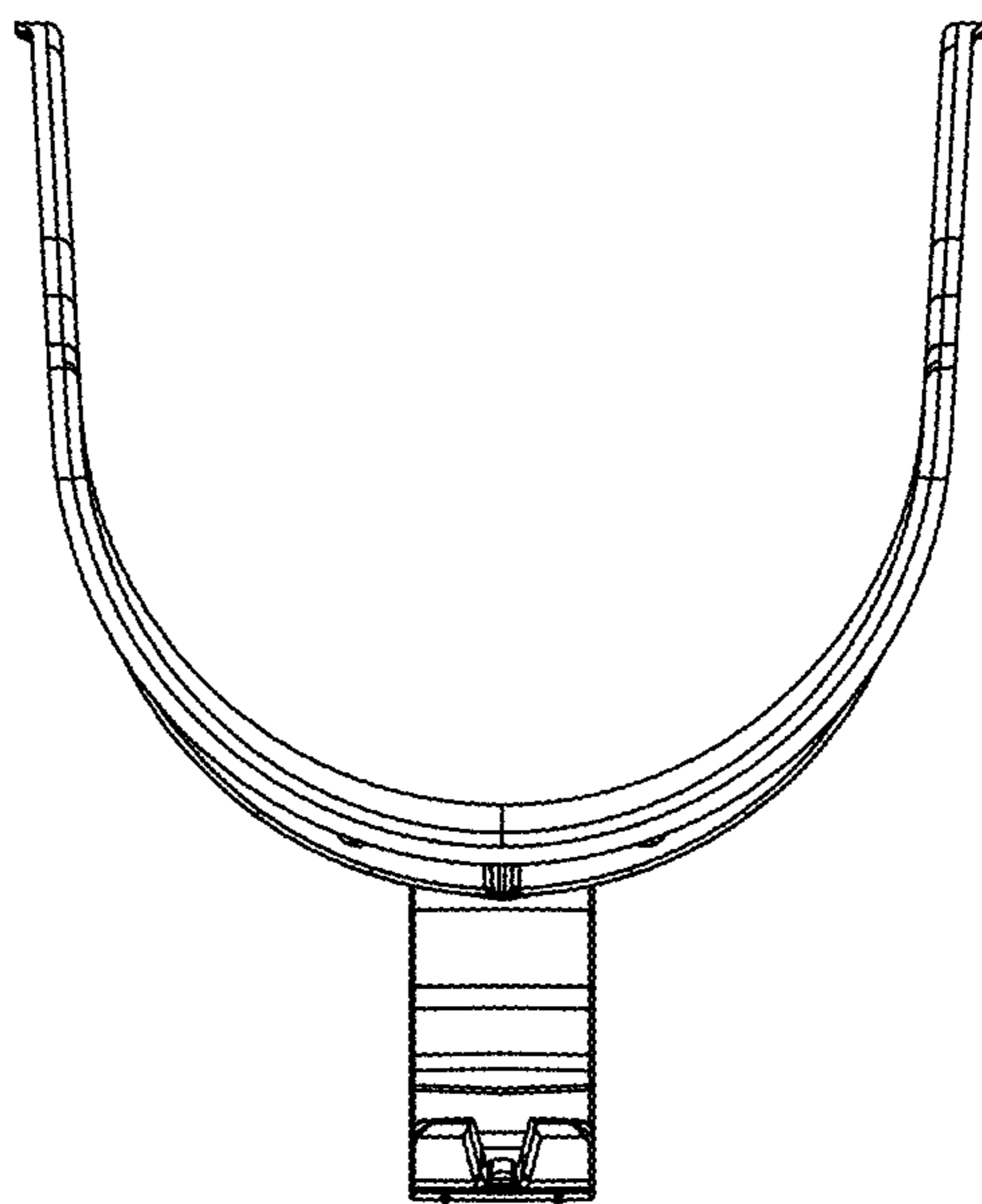


FIG. 2

FIG. 3



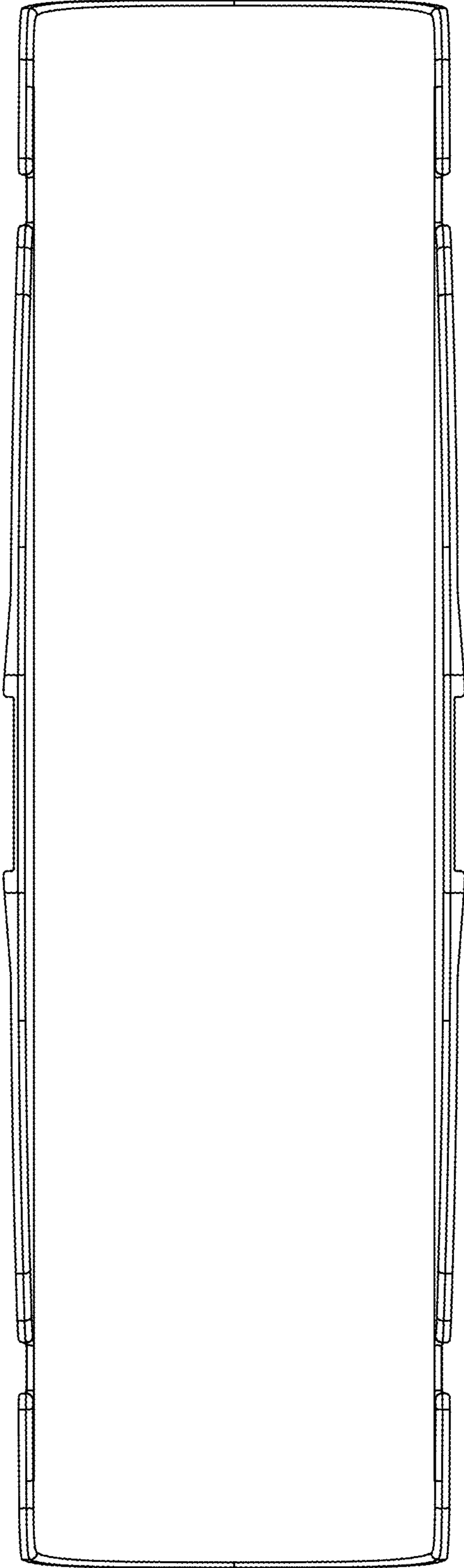


FIG. 4

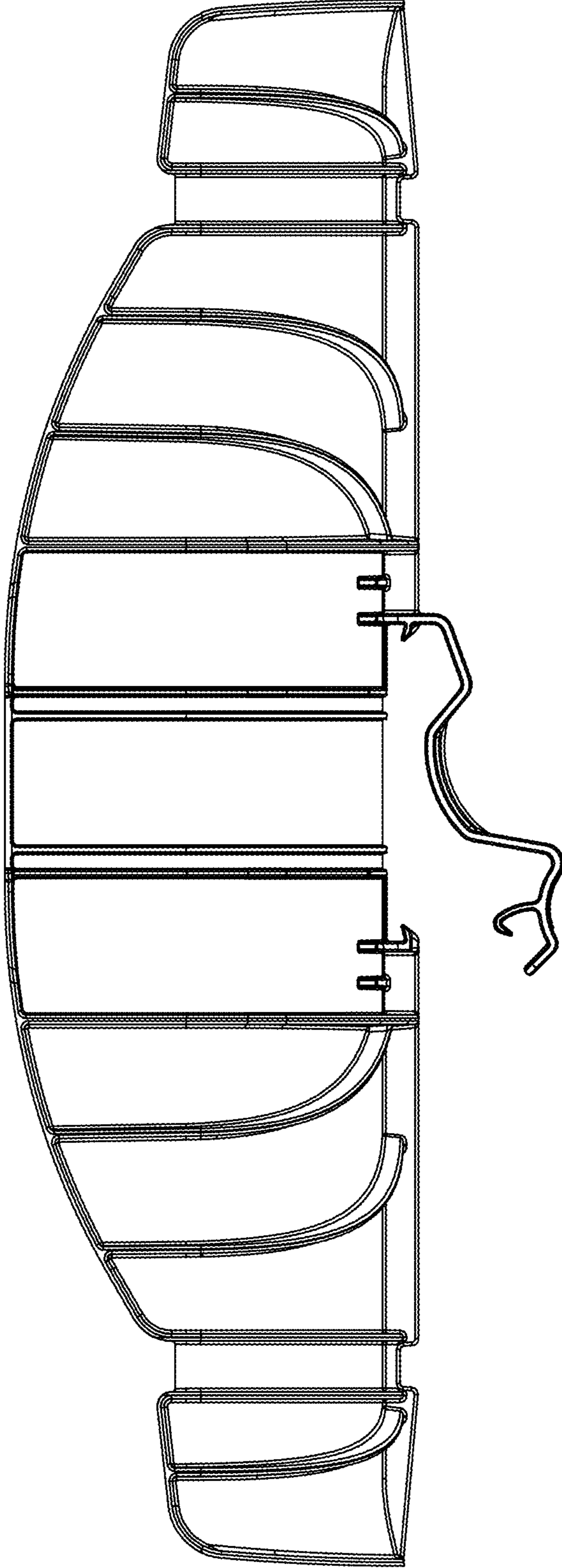
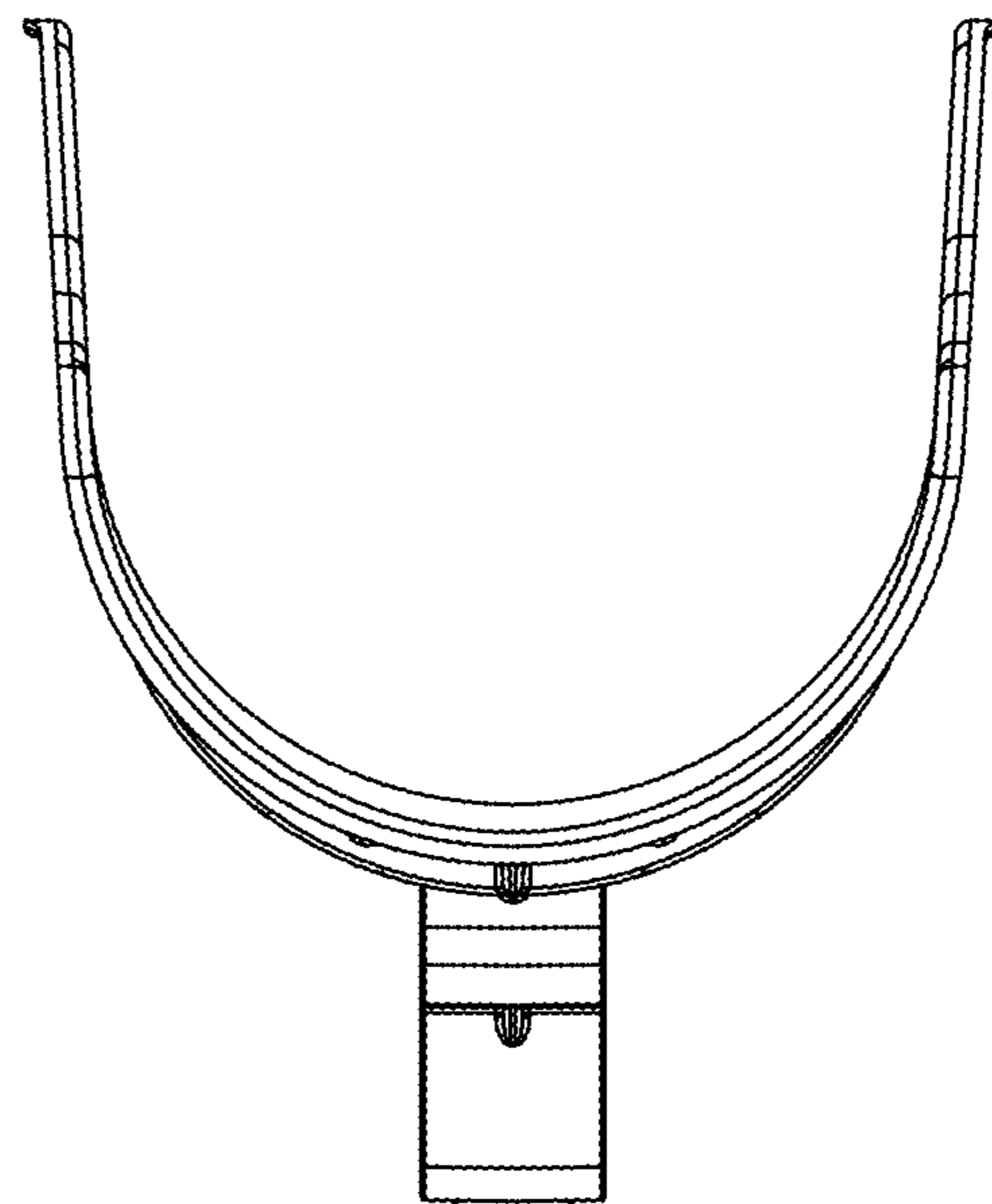


FIG. 5

FIG. 6



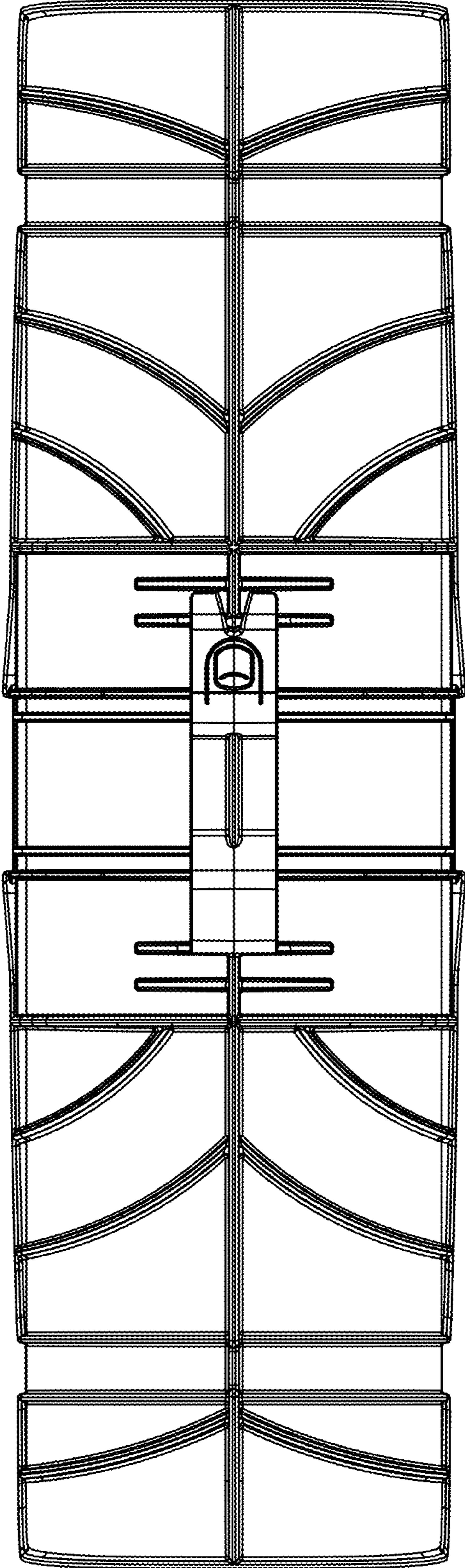


FIG. 7