



US00D881684S

(12) **United States Design Patent**
Yoshikawa

(10) **Patent No.:** **US D881,684 S**

(45) **Date of Patent:** **** Apr. 21, 2020**

(54) **CLIP WITH A HOOK**

(71) Applicant: **Kabushiki Kaisha Yoshikawakuni Kogyosho**, Nara-ken (JP)

(72) Inventor: **Toshiyuki Yoshikawa**, Nara-ken (JP)

(73) Assignee: **KABUSHIKI KAISHA YOSHIKAWAKUNI KOGYOSHO**, Nara-Ken (JP)

(**) Term: **15 Years**

(21) Appl. No.: **29/666,418**

(22) Filed: **Oct. 12, 2018**

(51) **LOC (12) Cl.** **08-08**

(52) **U.S. Cl.**
USPC **D8/395**

(58) **Field of Classification Search**
USPC D8/394-395, 71-74, 499, 354, 355, 373;
D19/65; D11/164, 78.1; D32/35;
D6/326
CPC . D06F 55/00; A41B 3/08; A41F 15/02; F16B
19/1081; G09F 3/14; B42F 1/006; B42F
1/08; B42F 9/001; A47F 7/02
See application file for complete search history.

(56) **References Cited**

U.S. PATENT DOCUMENTS

D140,410 S * 2/1945 Yates D6/326
D307,833 S * 5/1990 Maki D32/64
D393,797 S * 4/1998 Kostigian D32/64
D481,618 S * 11/2003 Felsenthal D8/373

D535,550 S * 1/2007 Silberman D8/356
D547,171 S * 7/2007 Snell D8/395
8,061,569 B2 * 11/2011 Sugita A47G 25/485
223/91
D752,965 S * 4/2016 Blaney D8/394
D766,601 S * 9/2016 Barre D6/326
D830,159 S * 10/2018 Montgomery D8/395

* cited by examiner

Primary Examiner — John Windmuller

(74) *Attorney, Agent, or Firm* — Vedder Price P.C.

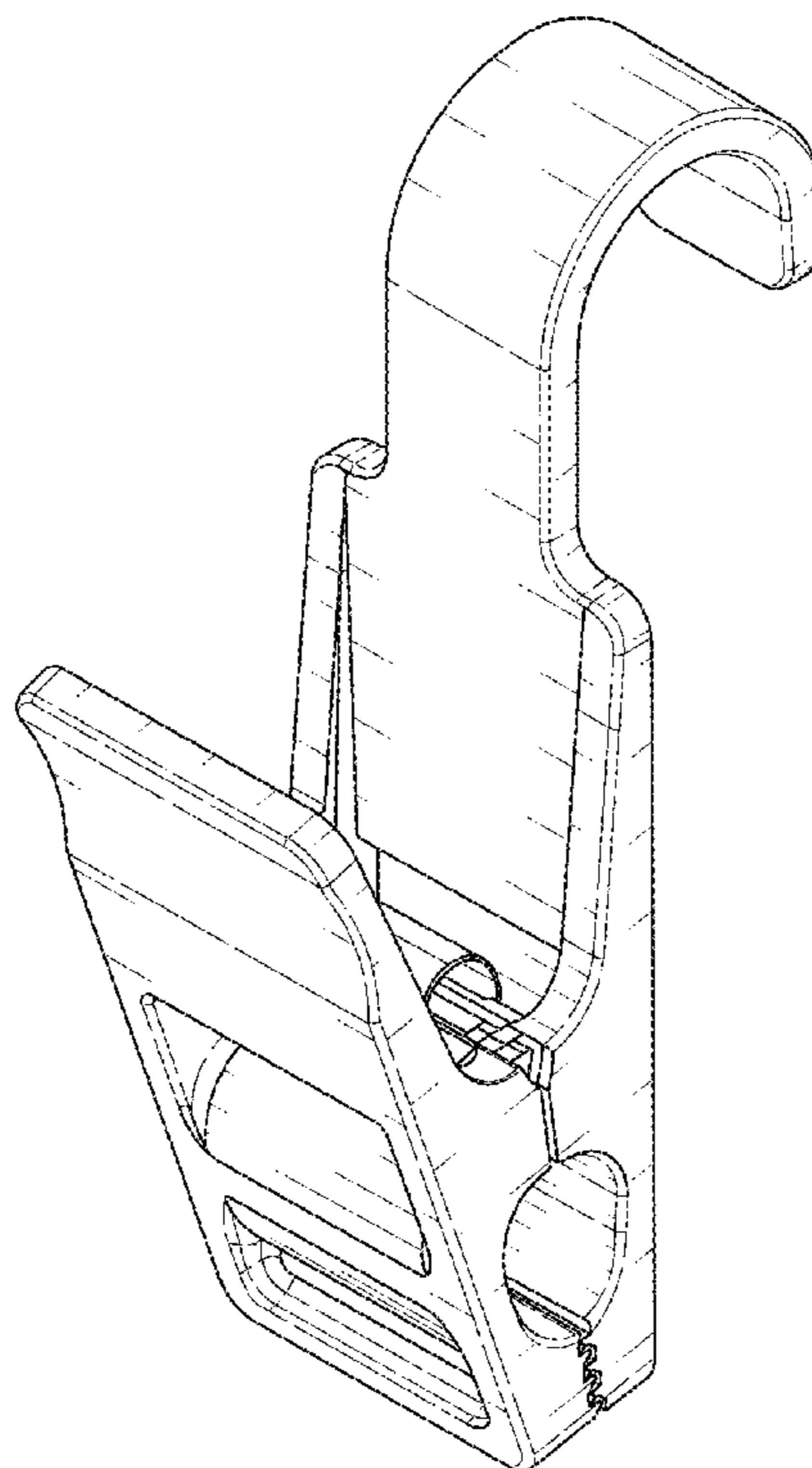
(57) **CLAIM**

The ornamental design for a clip with a hook, as shown and described.

DESCRIPTION

FIG. 1 is a front view of a clip with a hook;
FIG. 2 is a rear view thereof;
FIG. 3 is a top view thereof;
FIG. 4 is a bottom view thereof;
FIG. 5 is a right side view thereof;
FIG. 6 is a left side view thereof;
FIG. 7 is a sectional view thereof taken along line A-A of FIG. 1,
FIG. 8 is a perspective view of the clip with a hook when viewed from above; and,
FIG. 9 is a perspective view of the clip with a hook when viewed from below.
The present invention is a clip with a hook, including a hook portion which can be hooked on a bar body and a clip portion which can clip a small object.

1 Claim, 9 Drawing Sheets



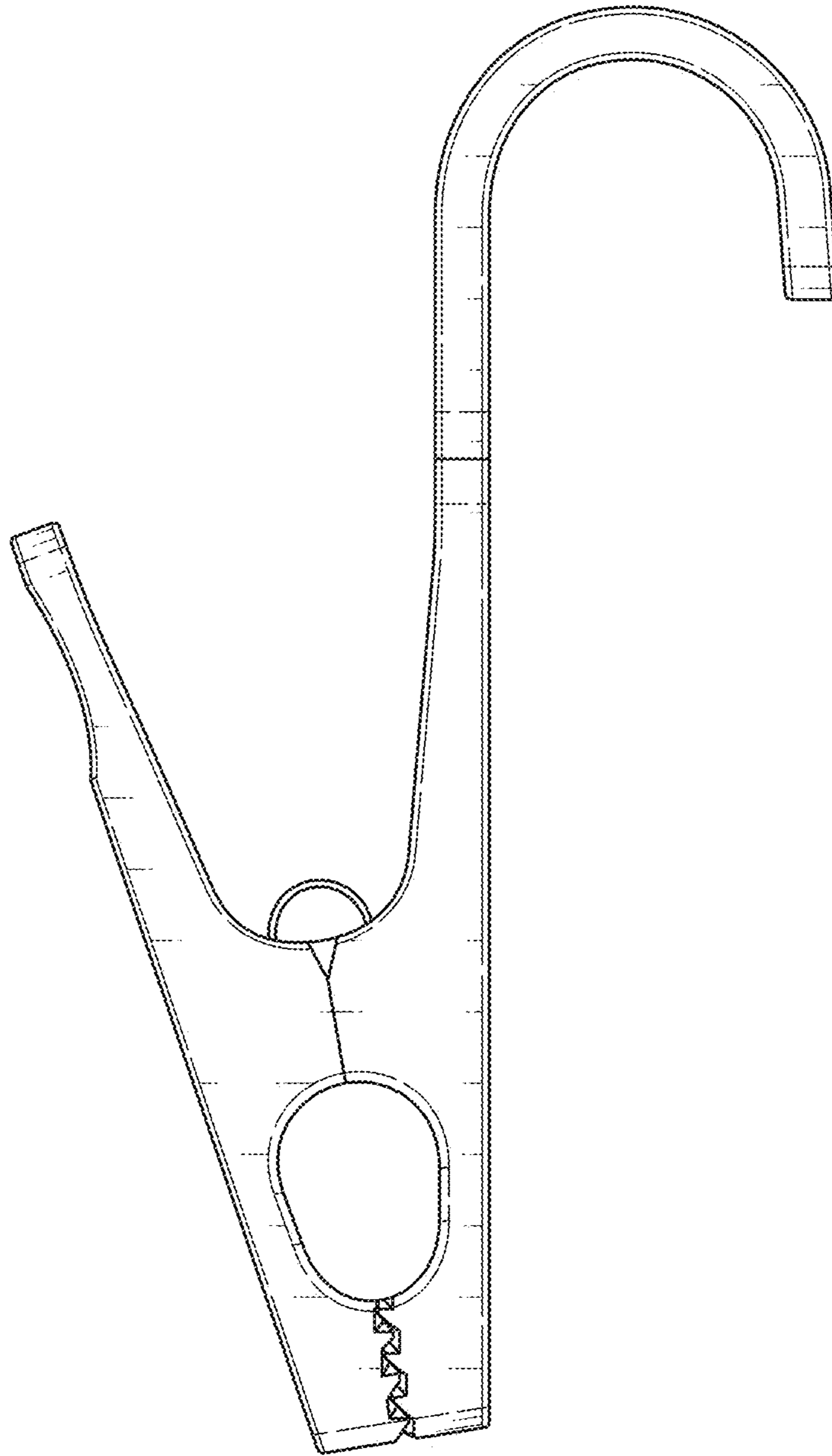


FIG. 1

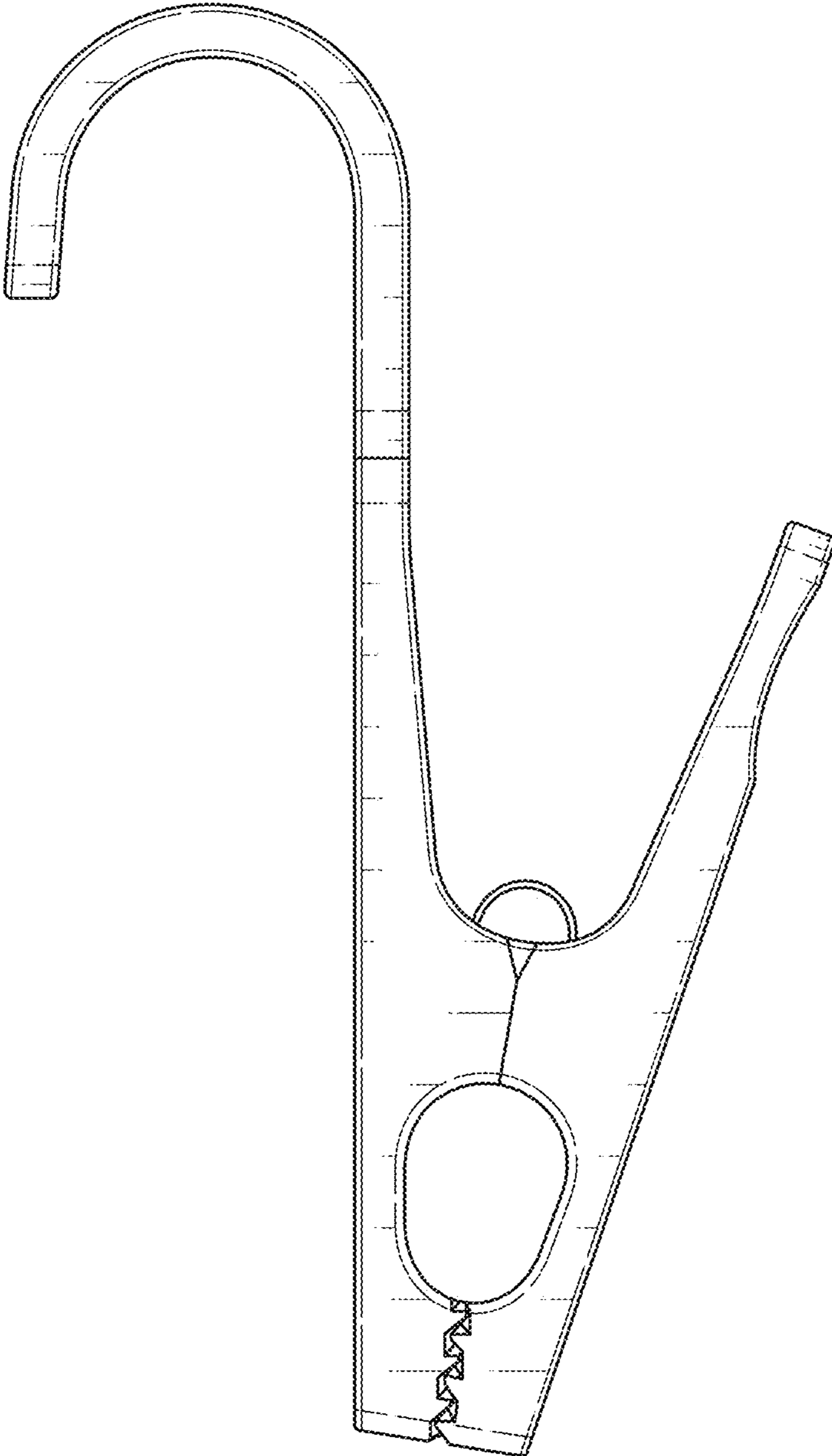


FIG. 2

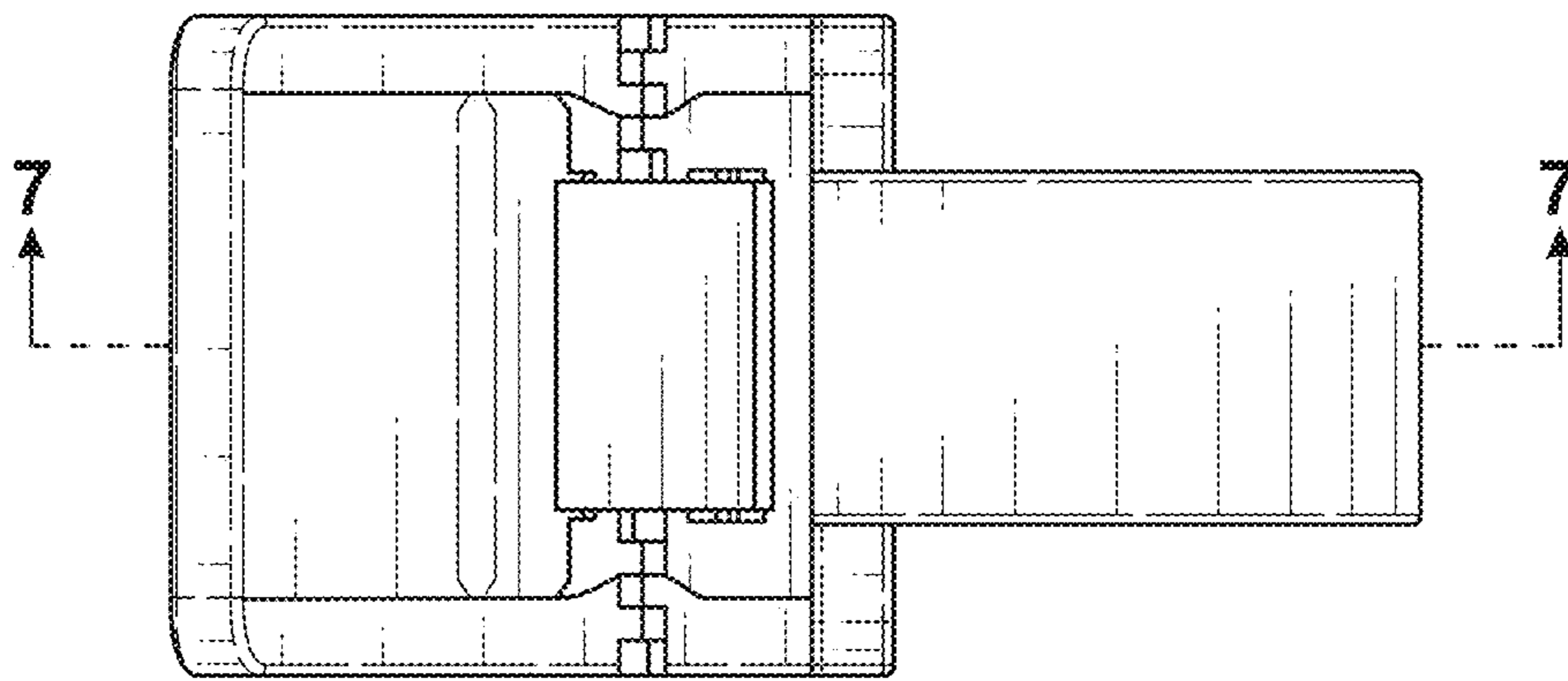


FIG. 3

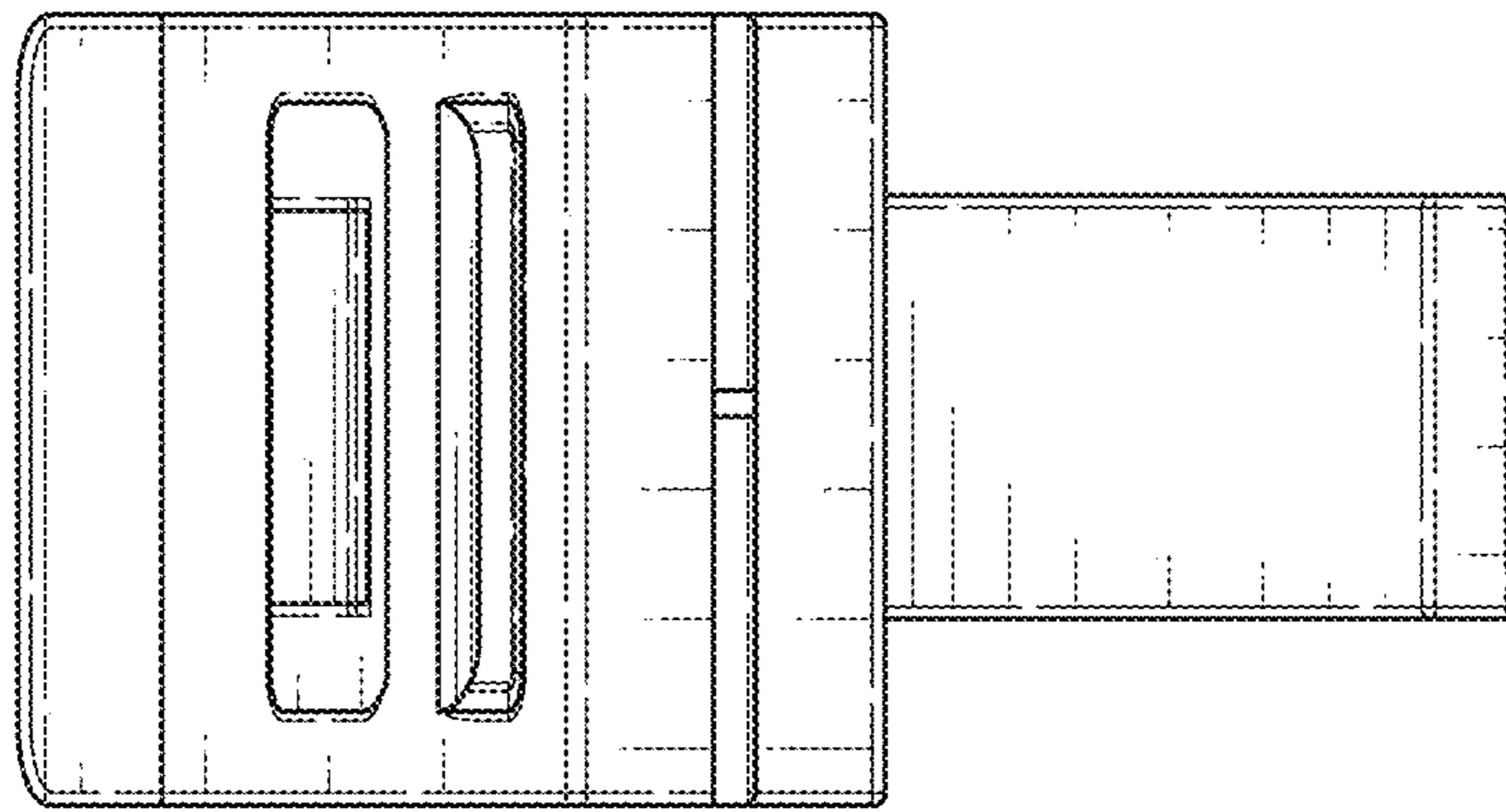


FIG. 4

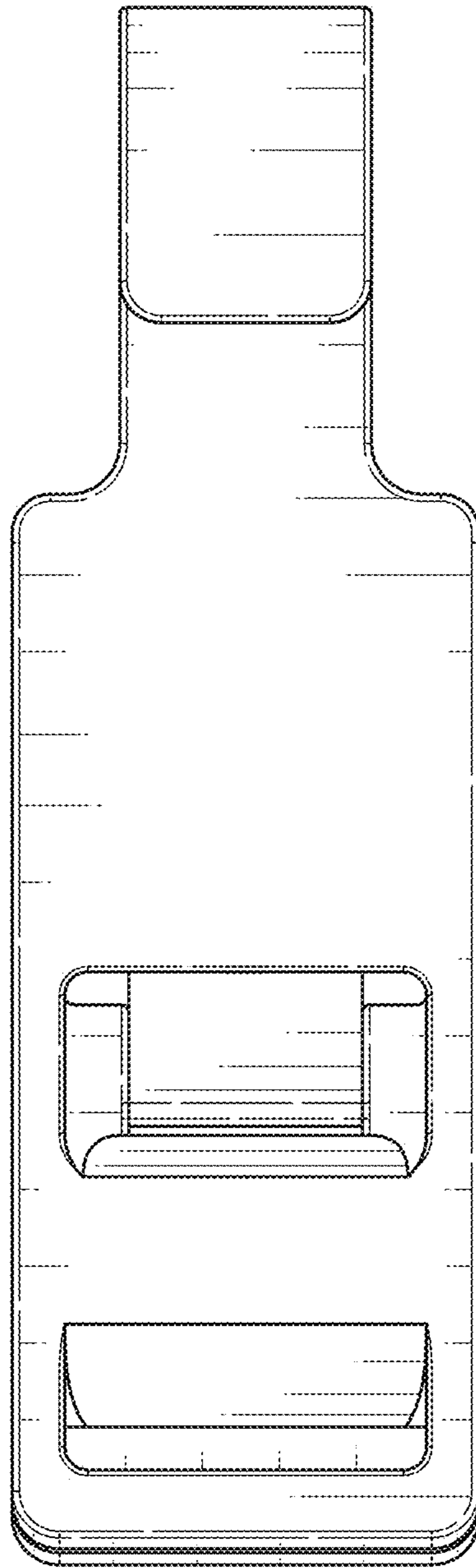


FIG. 5

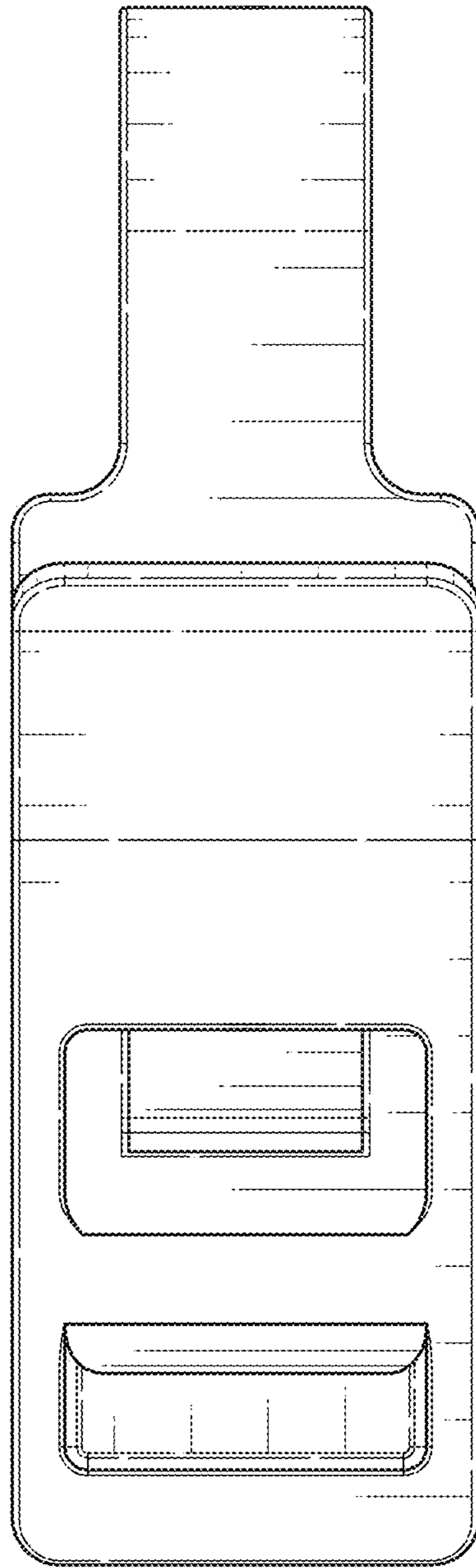


FIG. 6

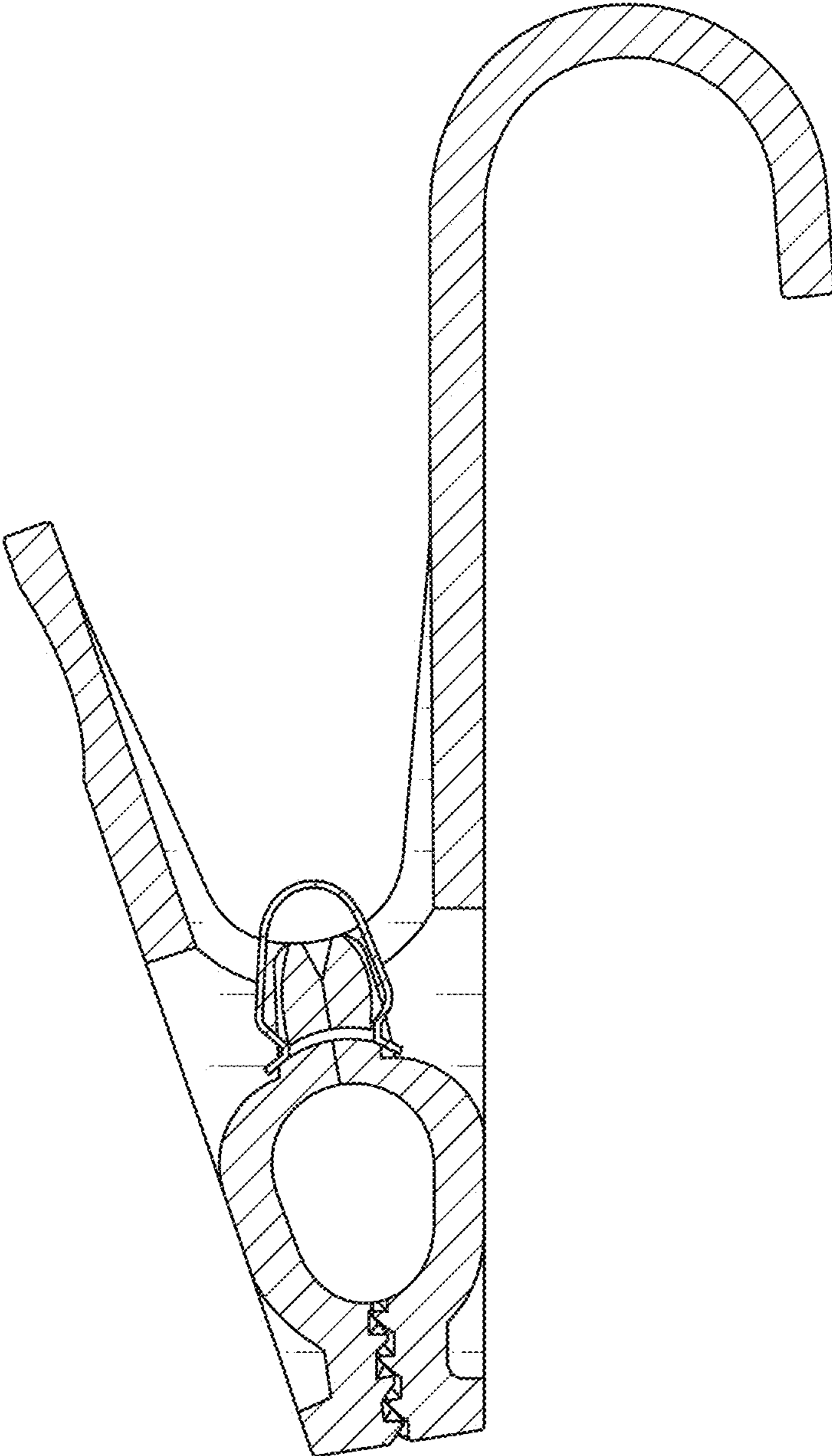


FIG. 7

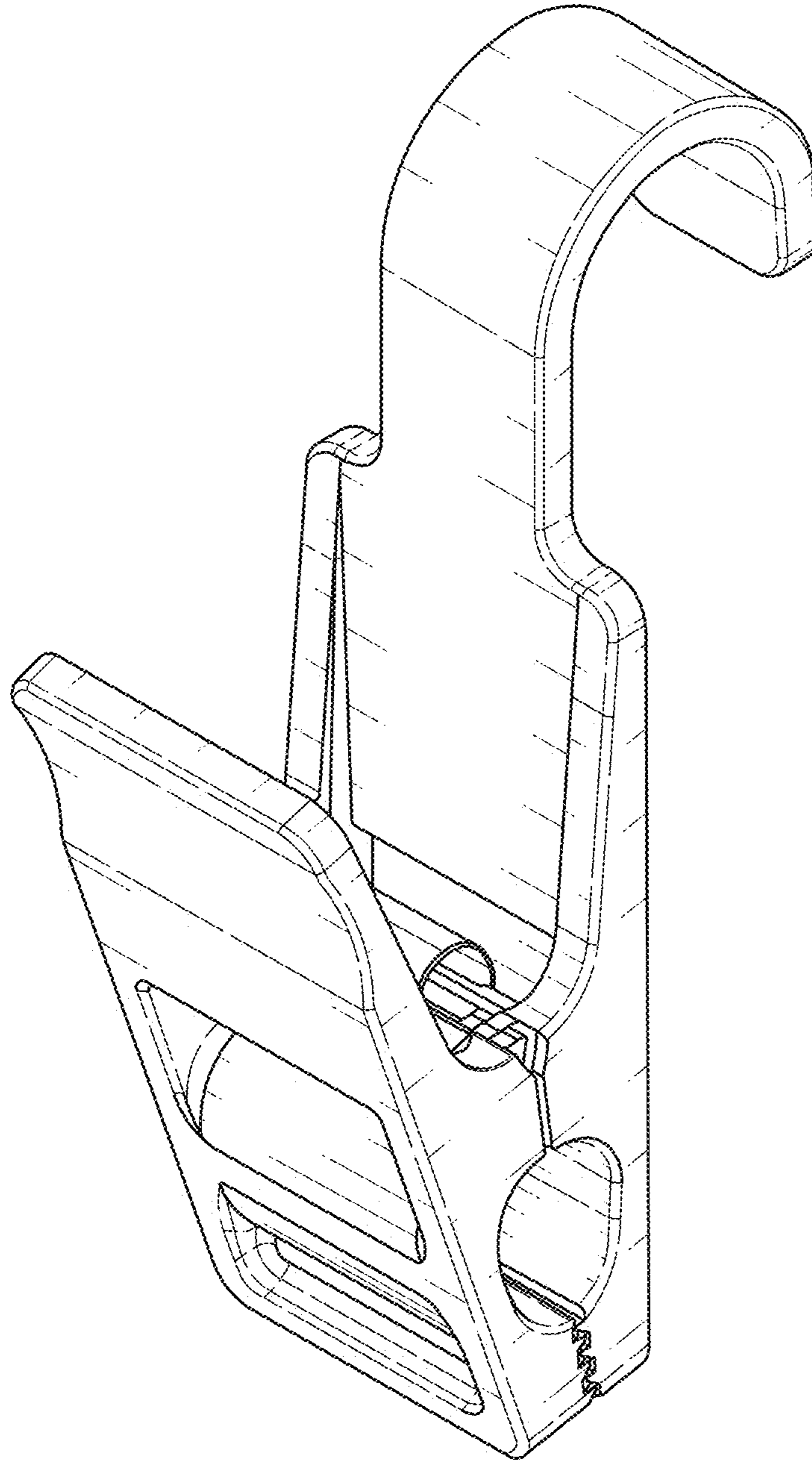


FIG. 8

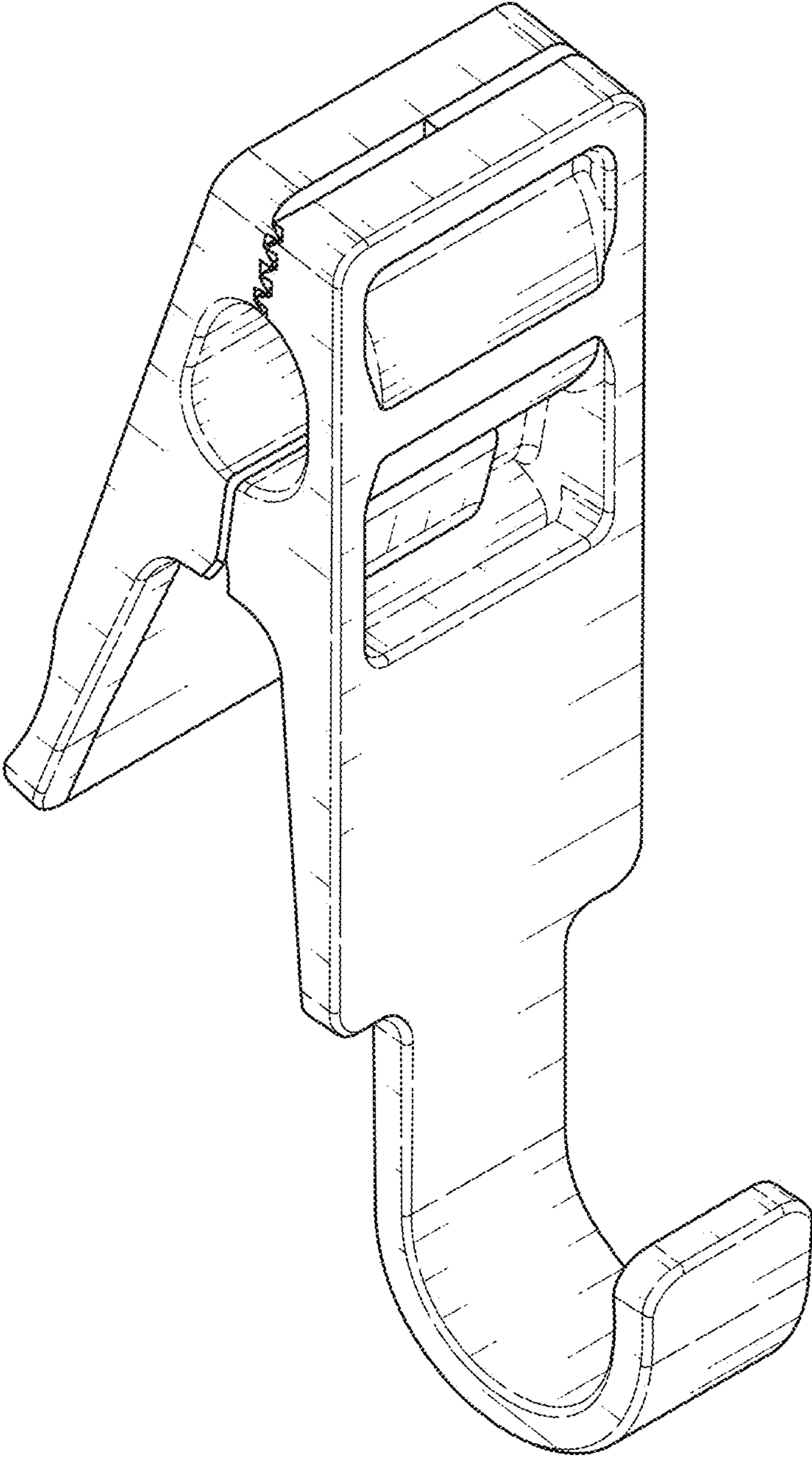


FIG. 9