



US00D881683S

(12) **United States Design Patent** (10) **Patent No.:** **US D881,683 S**  
**Pearson** (45) **Date of Patent:** **\*\* Apr. 21, 2020**

(54) **BRACKET**

(71) Applicant: **CABELA'S LLC**, Sidney, NE (US)

(72) Inventor: **Stephen Pearson**, Sidney, NE (US)

(73) Assignee: **CABELA'S LLC**, Sidney, NE (US)

(\*\*) Term: **15 Years**

(21) Appl. No.: **29/595,648**

(22) Filed: **Mar. 1, 2017**

(51) **LOC (12) Cl.** ..... **08-05**

(52) **U.S. Cl.**  
USPC ..... **D8/375**

(58) **Field of Classification Search**  
USPC ..... D8/375, 374, 400; D3/279, 318  
CPC ..... B60B 33/00; B60B 33/0002; B60B 3/14  
See application file for complete search history.

(56) **References Cited**

**U.S. PATENT DOCUMENTS**

2,184,038	A	*	12/1939	Dayton	.....	B60B 33/0002
						16/22
D275,832	S	*	10/1984	Kotkins, Jr.	.....	D3/318
D285,528	S	*	9/1986	Huot	.....	D8/330
D291,138	S	*	7/1987	Arneteg	.....	D34/35
5,259,215	A		11/1993	Rocca		
5,407,218	A		4/1995	Jackson		
D370,405	S	*	6/1996	Wu	.....	D8/375
D375,202	S	*	11/1996	Vermillion	.....	D3/318
D375,597	S	*	11/1996	Lee	.....	D34/5
D400,081	S	*	10/1998	Ibaragi	.....	D8/354
D426,453	S	*	6/2000	Stearns	.....	D8/354
D437,282	S	*	2/2001	Joll	.....	D12/223
D439,410	S	*	3/2001	Chang	.....	D3/318
D476,036	S	*	6/2003	Kolls	.....	D20/8
D491,365	S	*	6/2004	Proot	.....	D3/318
D527,225	S		8/2006	Krieger et al.		
7,207,576	B1		4/2007	Ibarra		
D570,200	S	*	6/2008	Jen	.....	D8/375
D582,678	S	*	12/2008	Rekuc	.....	D3/318

D639,638	S	*	6/2011	Jorgensen	.....	D3/318
D639,639	S	*	6/2011	Koehn	.....	D8/375
D663,611	S	*	7/2012	Nunez Farfan	.....	D8/380
D667,697	S		9/2012	Shah		
8,256,156	B1		9/2012	Burgoyne		
D697,717	S	*	1/2014	Santy	.....	D3/318
D698,153	S	*	1/2014	Santy	.....	D3/318
D718,936	S	*	12/2014	Sanz	.....	D3/318
9,022,395	B1		5/2015	Vanderberg		

(Continued)

**OTHER PUBLICATIONS**

Examiner's Report Canadian Patent Application No. 181297 dated May 31, 2018.

(Continued)

*Primary Examiner* — Rosemary K Tarcza  
*Assistant Examiner* — Christy M Nemeth  
(74) *Attorney, Agent, or Firm* — Pillsbury Winthrop Shaw Pittman LLP

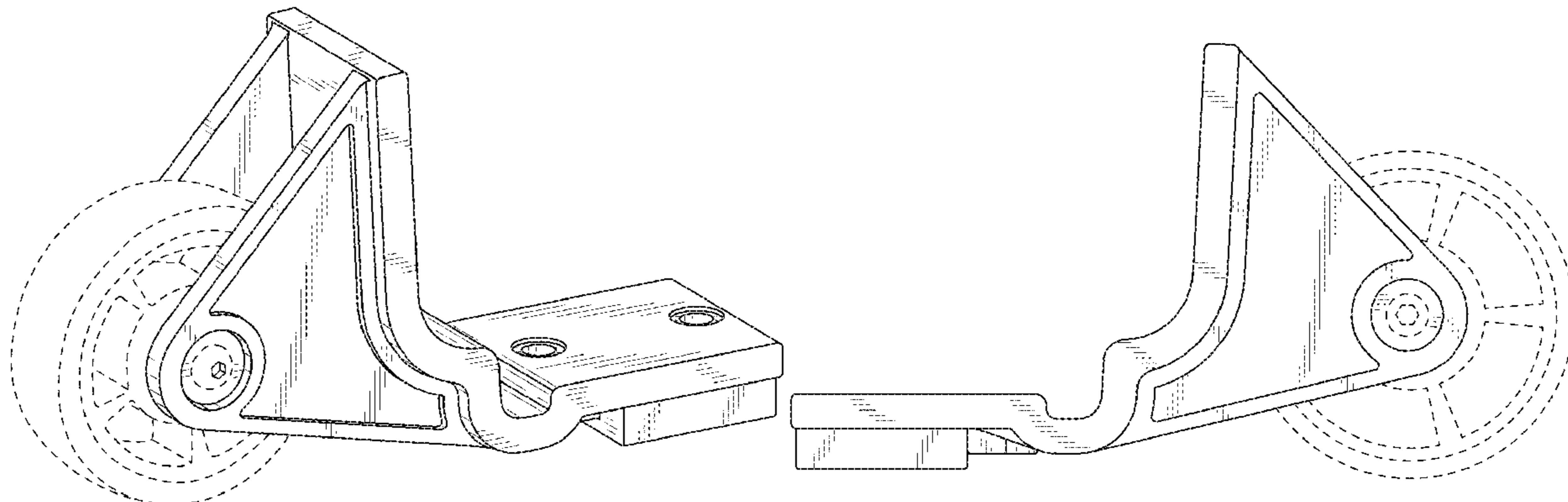
(57) **CLAIM**

The ornamental design for a bracket, as shown and described.

**DESCRIPTION**

FIG. 1 is a left, top, rear perspective view of a bracket of my new design;  
FIG. 2 is another left, top, rear perspective view thereof;  
FIG. 3 is a left side elevational view thereof;  
FIG. 4 is a right side elevational view thereof;  
FIG. 5 is a rear elevational view thereof;  
FIG. 6 is a front elevational view thereof;  
FIG. 7 is a top plan view thereof; and,  
FIG. 8 is a bottom plan view thereof.  
The broken lines in the drawings are for the purpose of illustrating environmental subject matter that forms no part of the claimed design.

**1 Claim, 4 Drawing Sheets**



(56)

**References Cited**

U.S. PATENT DOCUMENTS

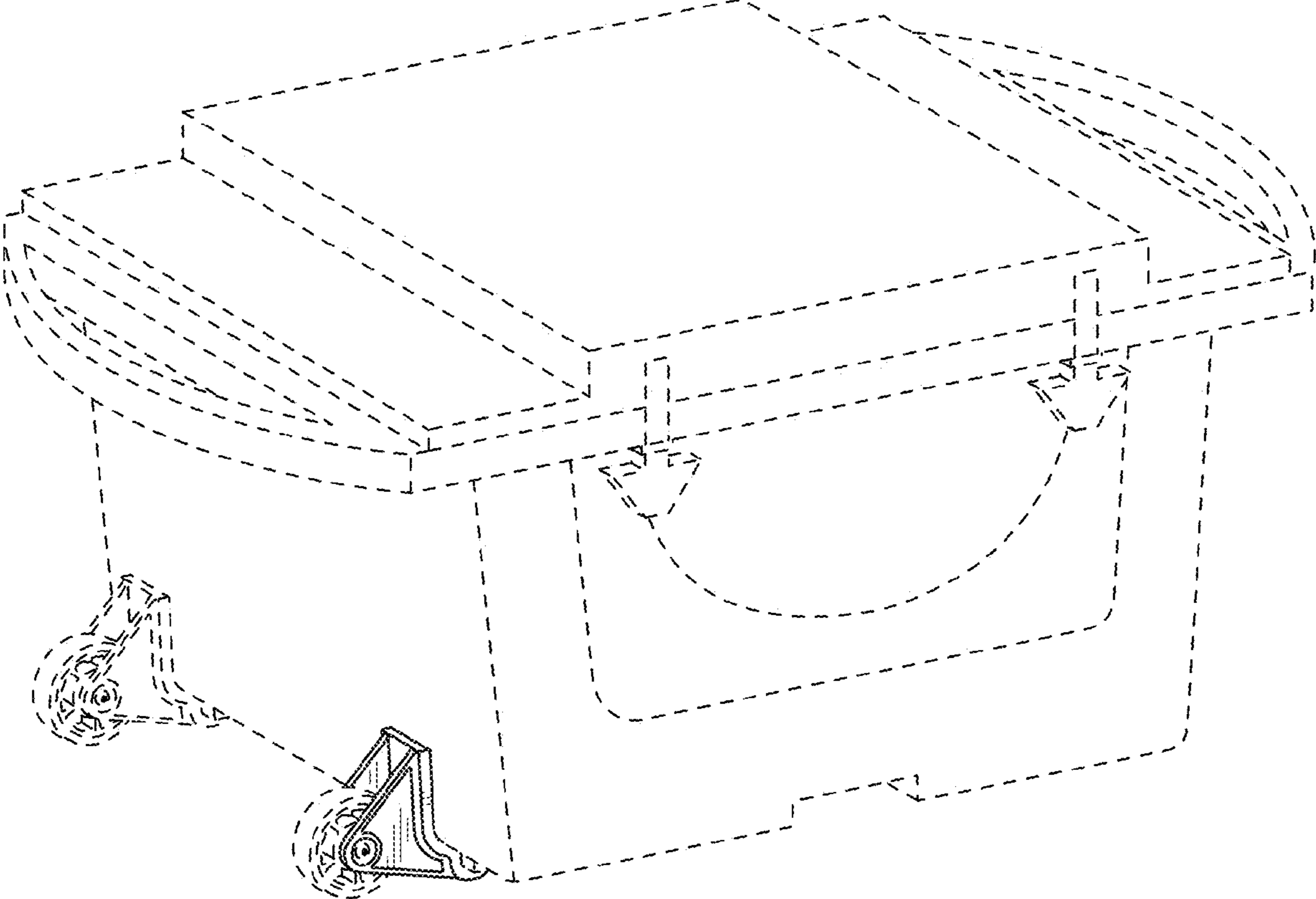
D739,216 S \* 9/2015 Cole ..... D8/375  
9,199,657 B2 12/2015 Martin  
9,199,782 B1 12/2015 Cliatt  
9,278,704 B2 3/2016 Cates  
9,340,224 B2 5/2016 Yoder et al.  
D809,293 S \* 2/2018 Virassamy ..... D3/279  
D811,090 S \* 2/2018 Karl ..... D3/318  
D820,770 S \* 6/2018 Vaarsi ..... D12/501  
D830,816 S \* 10/2018 Chan ..... D8/375  
D858,262 S \* 9/2019 Wilson ..... D8/373  
2004/0163208 A1 \* 8/2004 Kuo ..... A45C 5/145  
16/29  
2018/0162158 A1 \* 6/2018 Pearson ..... B60B 3/147

OTHER PUBLICATIONS

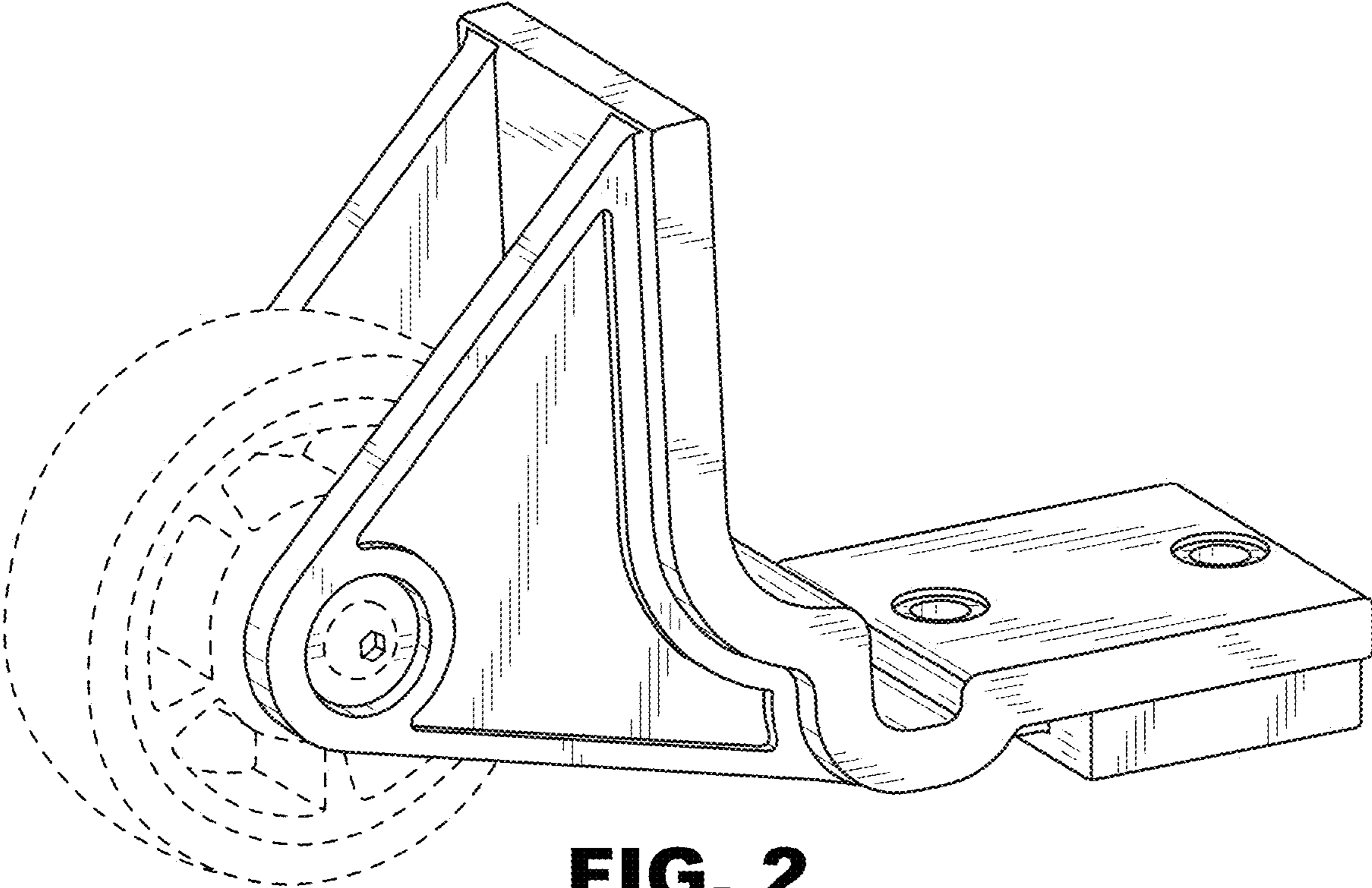
Examiner's Report Canadian Patent Application No. 176519 dated  
May 31, 2018.

Examiner's Report Canadian Patent Application No. 176519 dated  
Feb. 11, 2018.

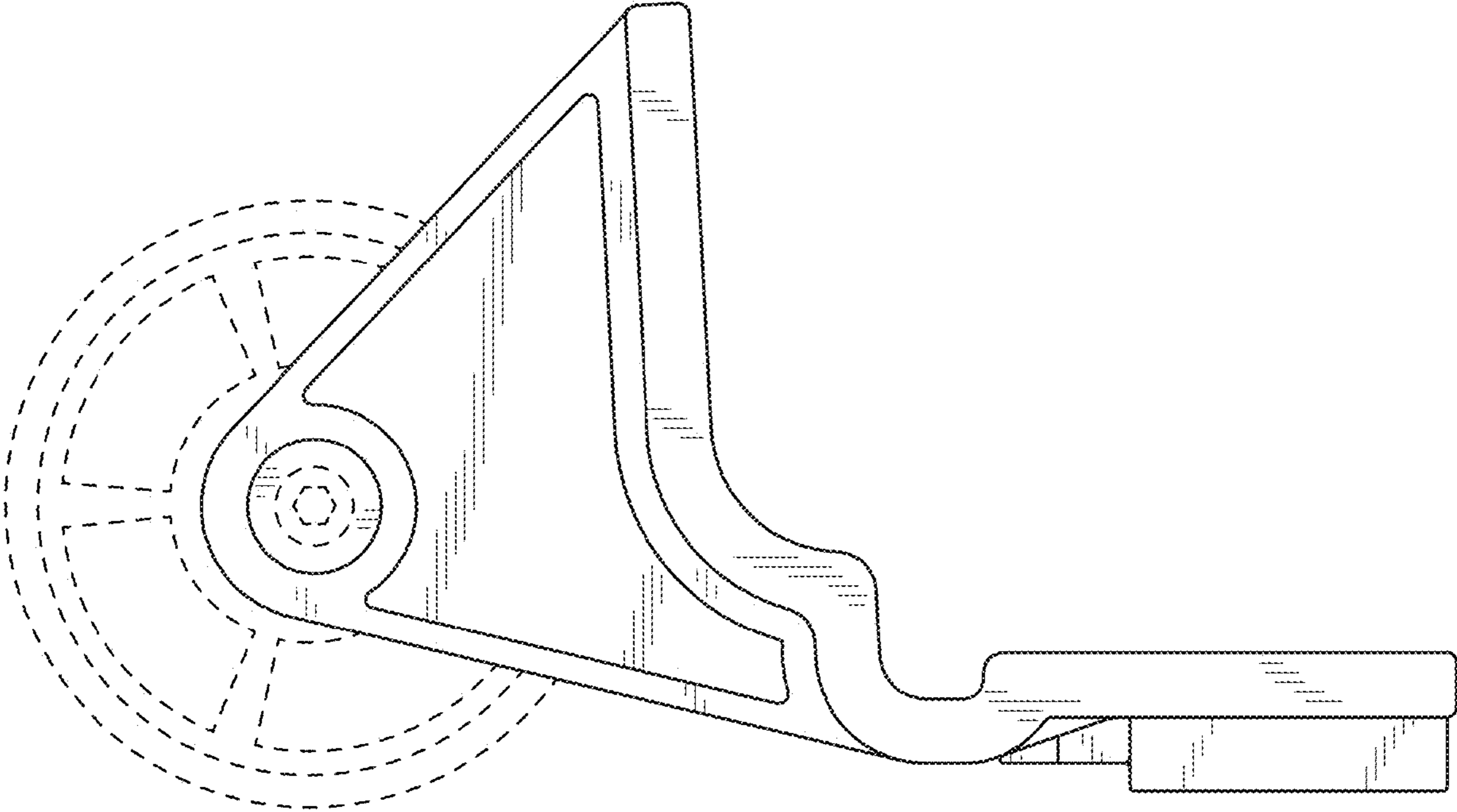
\* cited by examiner



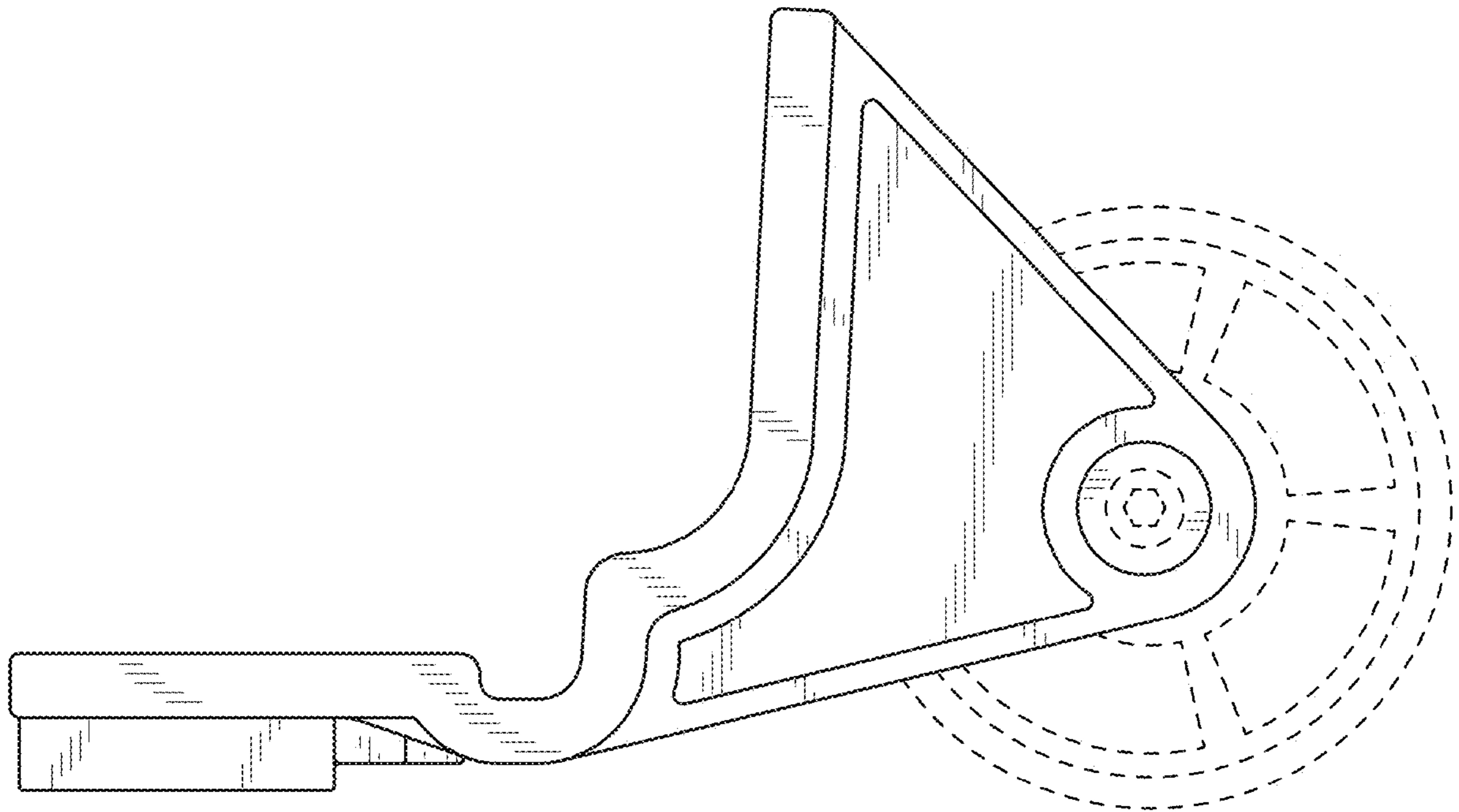
**FIG. 1**



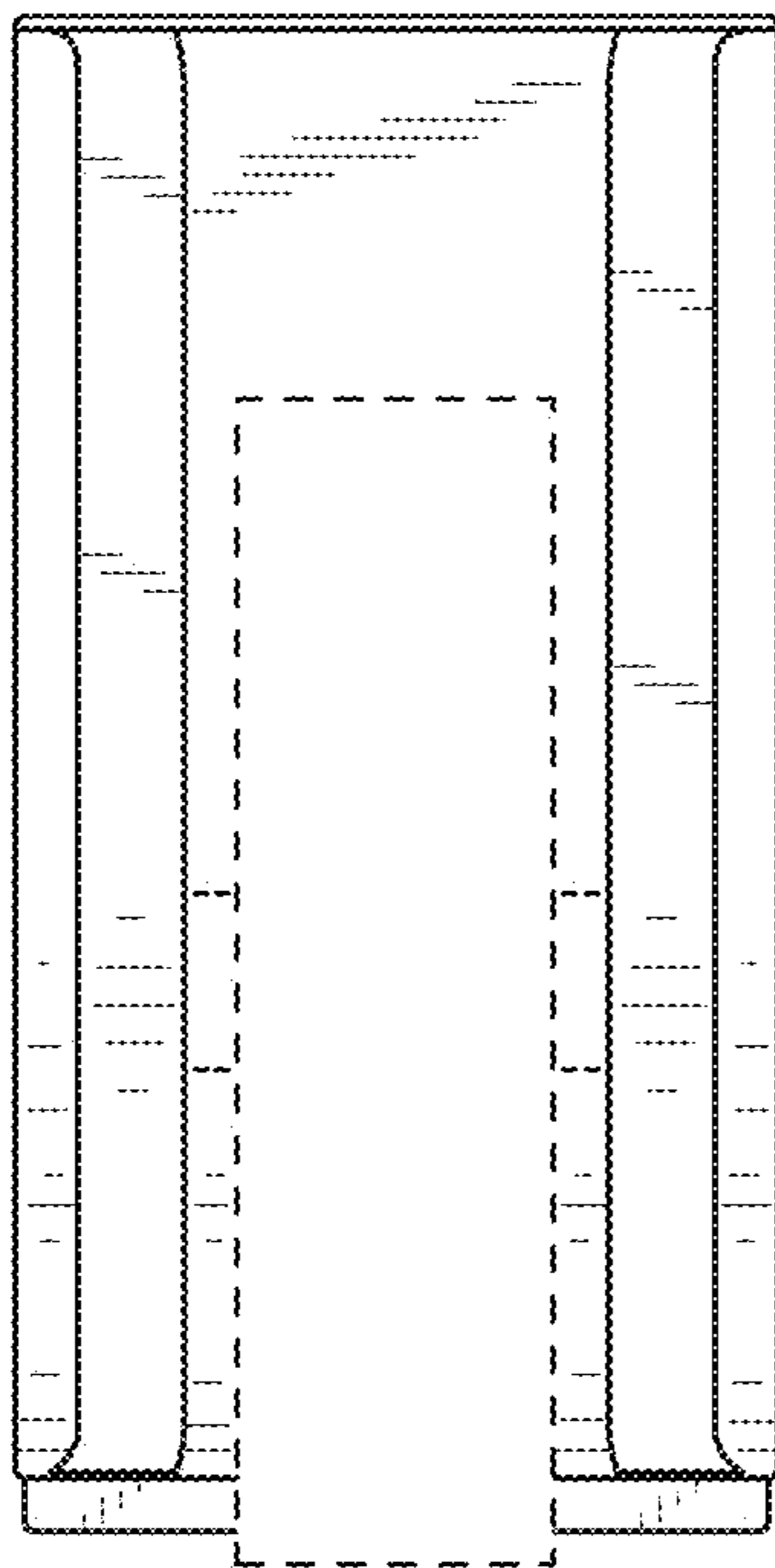
**FIG. 2**



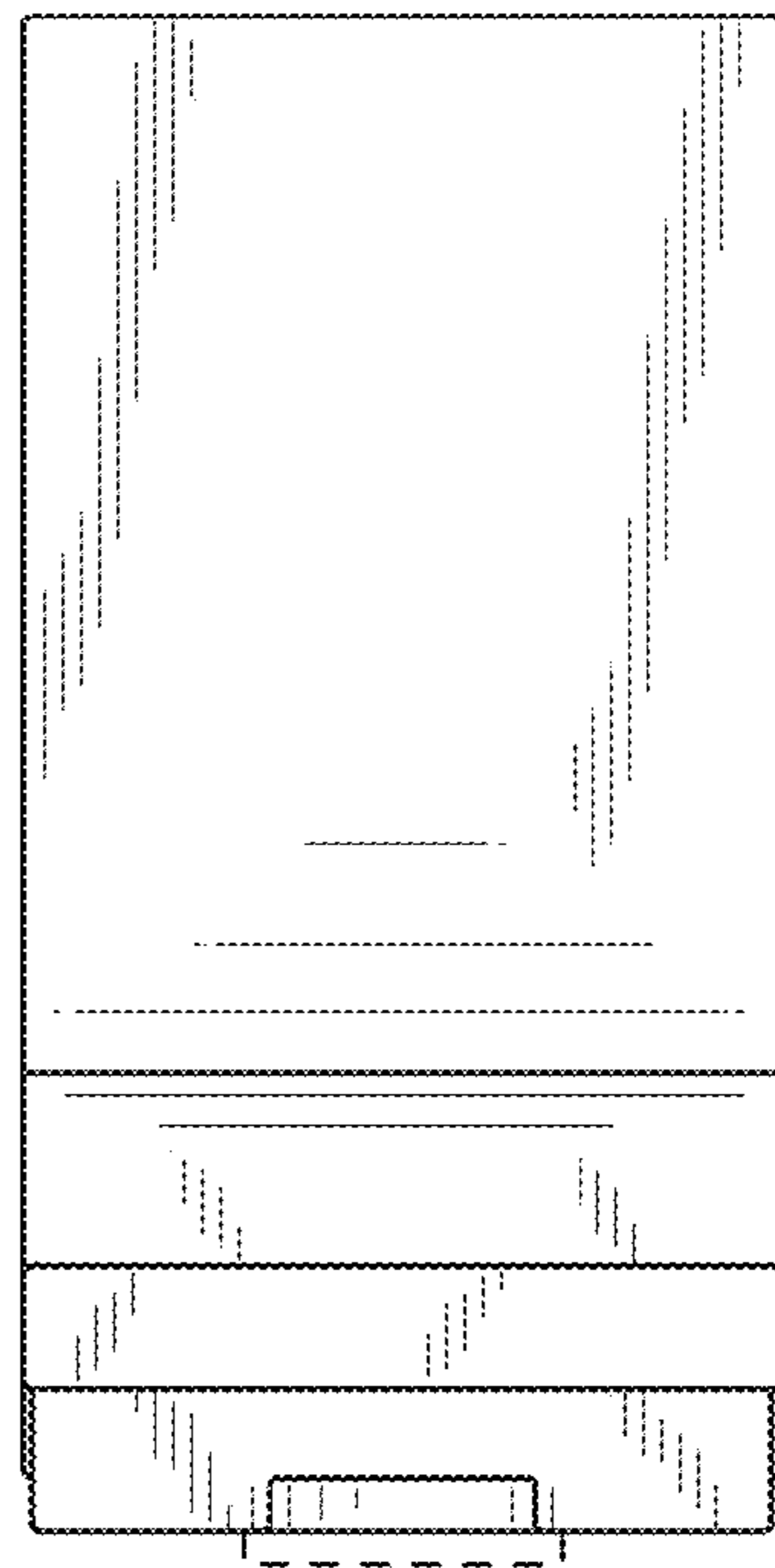
**FIG. 3**



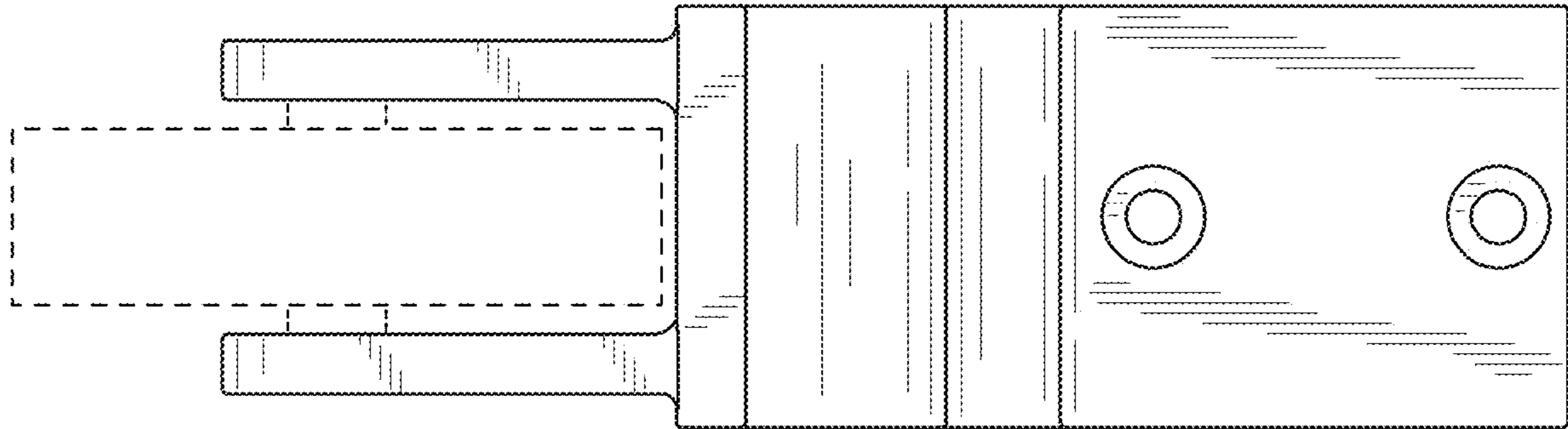
**FIG. 4**



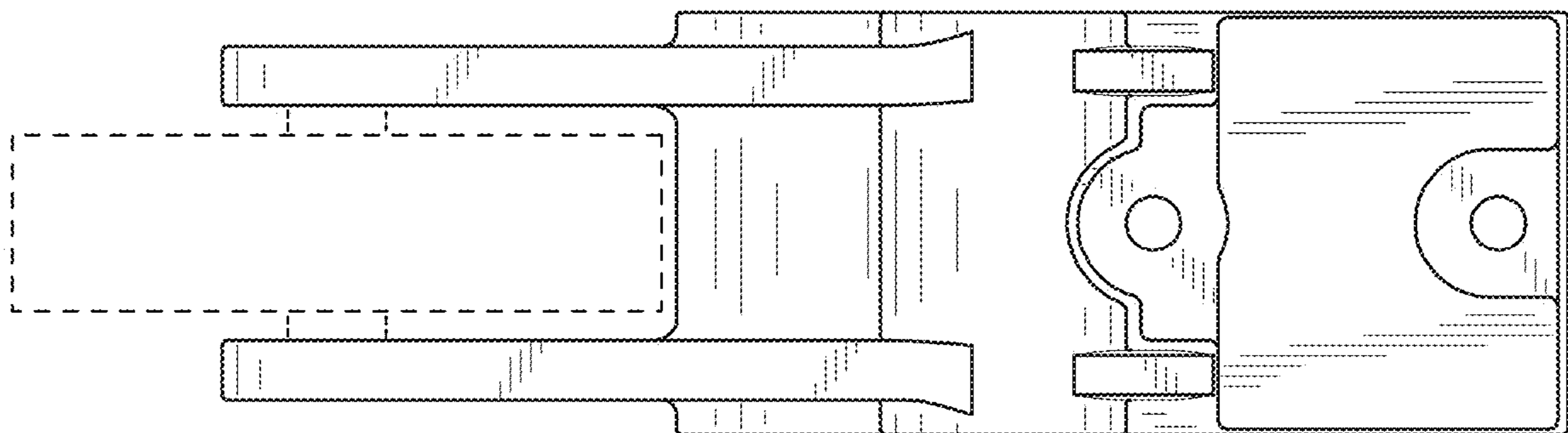
**FIG. 5**



**FIG. 6**



**FIG. 7**



**FIG. 8**