



US00D881680S

(12) **United States Design Patent**
Huang et al.

(10) **Patent No.:** **US D881,680 S**
(45) **Date of Patent:** **** Apr. 21, 2020**

- (54) **LOCK ESCUTCHEON ASSEMBLY**
- (71) Applicant: **TAIWAN FU HSING INDUSTRIAL CO., LTD.**, Kaohsiung (TW)
- (72) Inventors: **Chao-Ming Huang**, Kaohsiung (TW);
Chi-Ming Chen, Kaohsiung (TW)
- (73) Assignee: **Taiwan Fu Hsing Industrial Co., Ltd.**,
Kaohsiung (TW)
- (**) Term: **15 Years**
- (21) Appl. No.: **29/673,457**
- (22) Filed: **Dec. 14, 2018**
- (30) **Foreign Application Priority Data**

D305,863 S *	2/1990	Gresens	D8/352
5,332,251 A *	7/1994	Farquhar	B60D 1/60 280/507
D351,982 S *	11/1994	Chen	D8/301
D403,750 S *	1/1999	Fabian	D23/254
D453,897 S *	2/2002	LaPlume	D8/301
D461,985 S *	8/2002	Fuchs	D6/550
D463,968 S *	10/2002	LaPlume	D8/352
6,526,787 B2 *	3/2003	Ming-Chih	E05B 47/068 70/107
D513,166 S *	12/2005	Huang	D8/350
D552,961 S *	10/2007	Roberts	D8/331
D554,974 S *	11/2007	Huang	D8/352
D678,752 S *	3/2013	Sedwick	D23/249
D679,171 S *	4/2013	Sedwick	D23/249
D722,400 S *	2/2015	Gilbert	D26/86
D733,263 S *	6/2015	Fujii	D23/262
D755,037 S *	5/2016	Czerwinski, Jr.	D8/300
D755,038 S *	5/2016	Bolton	D8/352

(Continued)

- Oct. 11, 2018 (TW) 107306012
- (51) **LOC (12) Cl.** **11-05**
- (52) **U.S. Cl.**
USPC **D8/352; D8/330**
- (58) **Field of Classification Search**
USPC D8/350, 351, 352, 353, 330, 331, 336,
D8/338, 339, 340, 343, 300, 301;
D10/108, 123, 125, 156, 158, 162, 169,
D10/171, 174, 177, 184
CPC G05B 19/00; G05B 15/00; E05B 49/00;
E05B 49/02; E05B 9/00; E05B 17/00;
E05B 37/00; E05B 3/00; E05B 13/103;
E05B 1/00; E05B 47/00; Y10T 70/8324;
Y10T 70/8459; Y10T 70/8514; Y10T
70/8568
See application file for complete search history.

Primary Examiner — Mark A Goodwin
Assistant Examiner — Benjamin M Weeks
(74) *Attorney, Agent, or Firm* — Rosenberg, Klein & Lee

(57) **CLAIM**

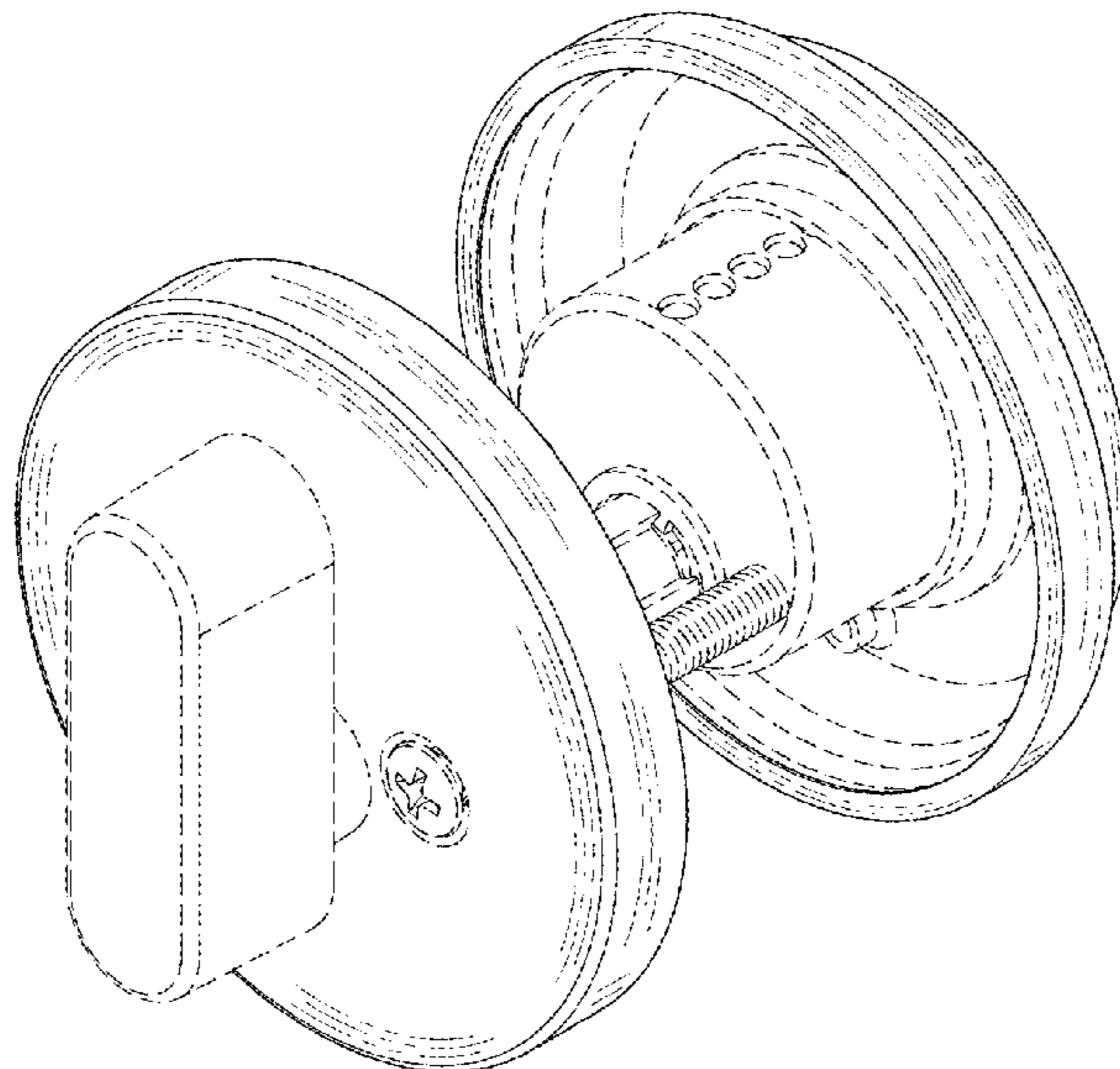
The ornamental design for a lock escutcheon, as shown and described.

DESCRIPTION

FIG. 1 is a perspective view of the lock escutcheon assembly showing our new design;
FIG. 2 is a front elevational view thereof;
FIG. 3 is a rear front elevational view thereof;
FIG. 4 is a left side elevational view thereof;
FIG. 5 is a right side elevational view thereof;
FIG. 6 is a top plan view thereof;
FIG. 7 is a bottom plan view thereof; and,
FIG. 8 is another perspective view thereof.
The broken lines represent portions of the lock escutcheon assembly that form no part of the claimed design.

- (56) **References Cited**
U.S. PATENT DOCUMENTS
1,651,018 A * 11/1927 Drees E05B 37/00
70/219
D271,464 S * 11/1983 Carlson D8/301

1 Claim, 8 Drawing Sheets



(56)

References Cited

U.S. PATENT DOCUMENTS

D756,747 S *	5/2016	Wu	D8/352
D806,515 S *	1/2018	Backhaus	D8/331
D811,850 S *	3/2018	Schneider	D8/331
D833,259 S *	11/2018	Tseng	D8/352
10,240,363 B2 *	3/2019	Hsu	E05B 41/00
10,472,855 B2 *	11/2019	Hsu	G07C 9/00174
2011/0232342 A1 *	9/2011	Tong	E05B 27/0014 70/449

* cited by examiner

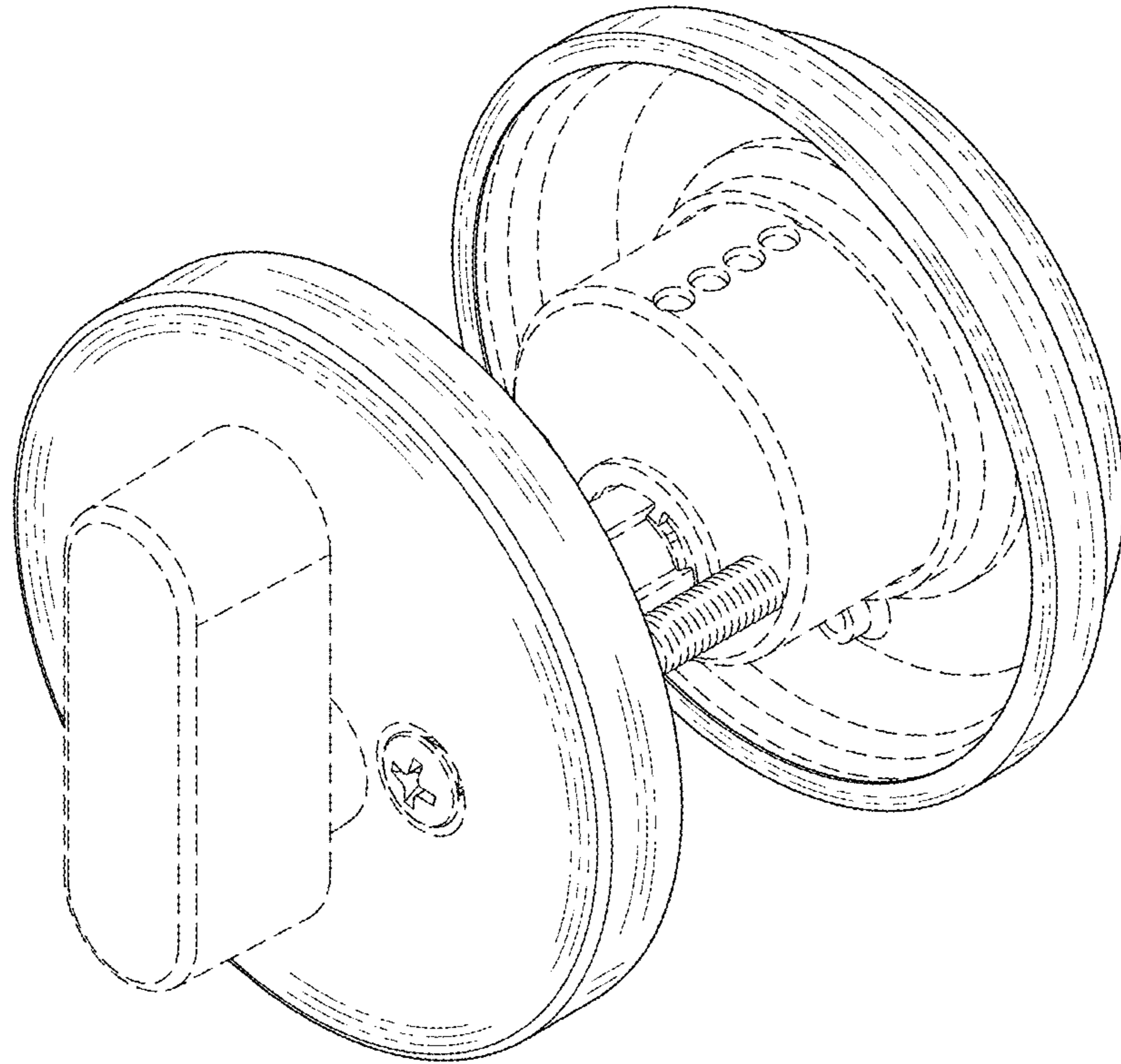


FIG.1

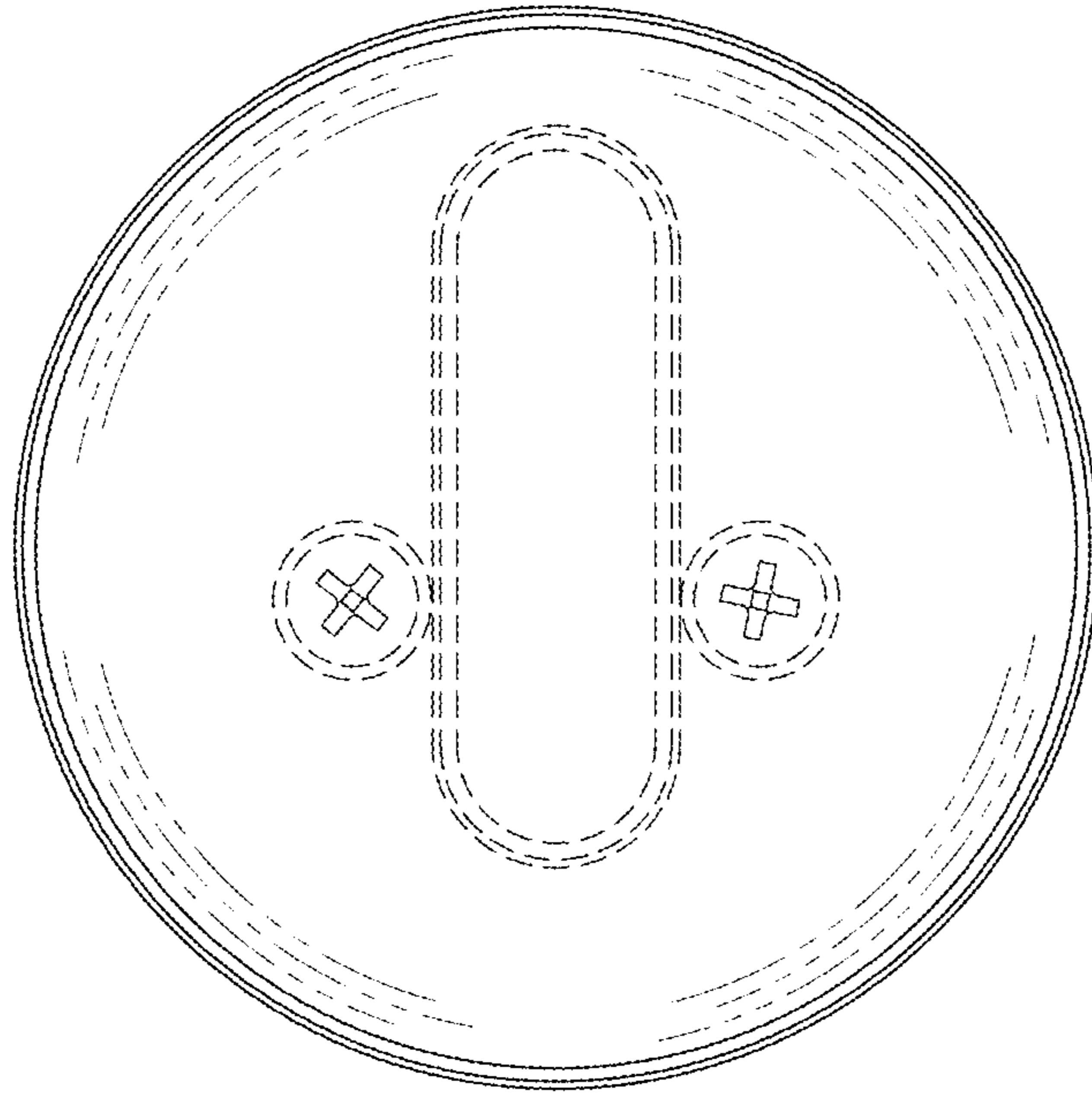


FIG.2

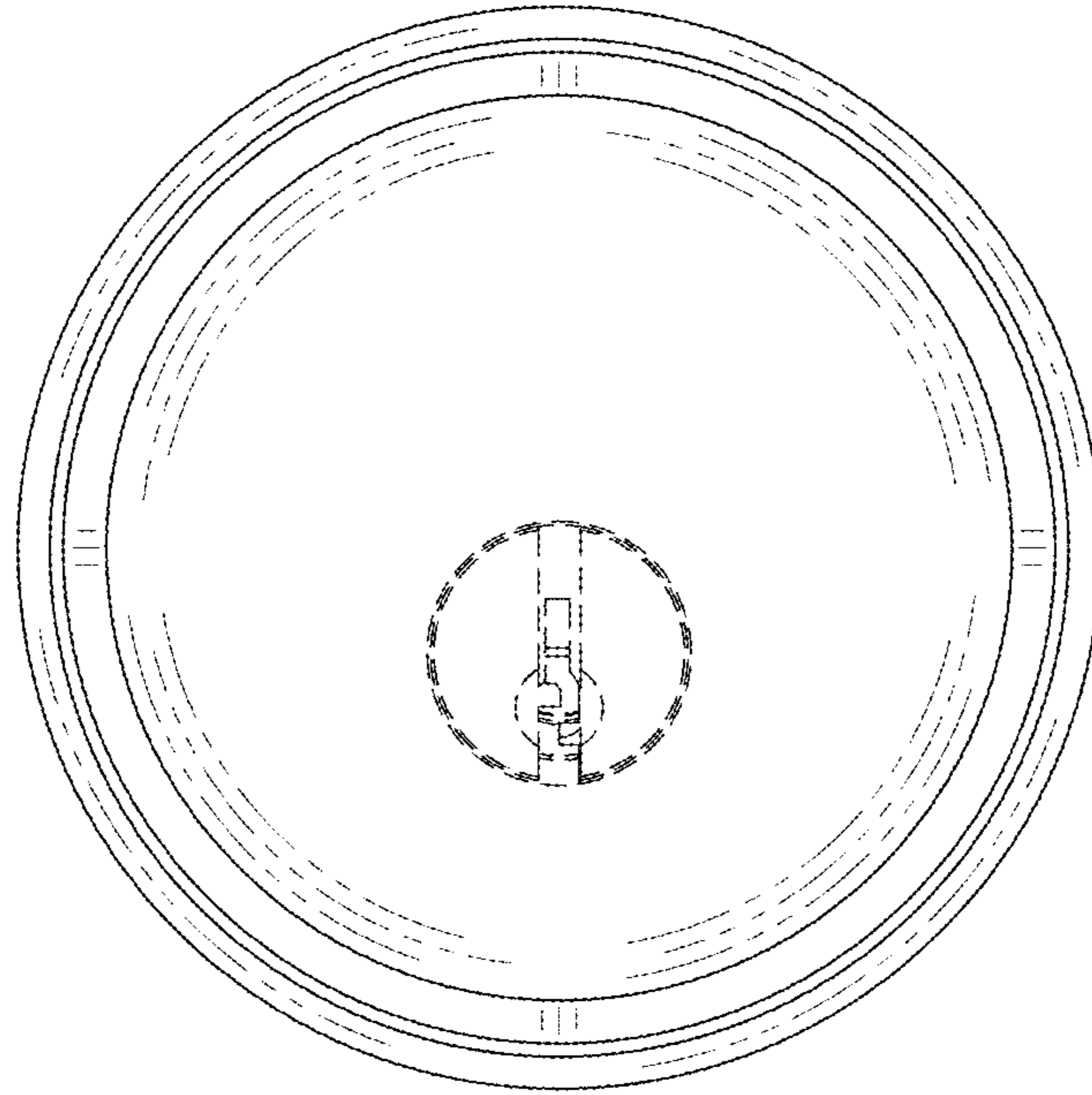


FIG.3

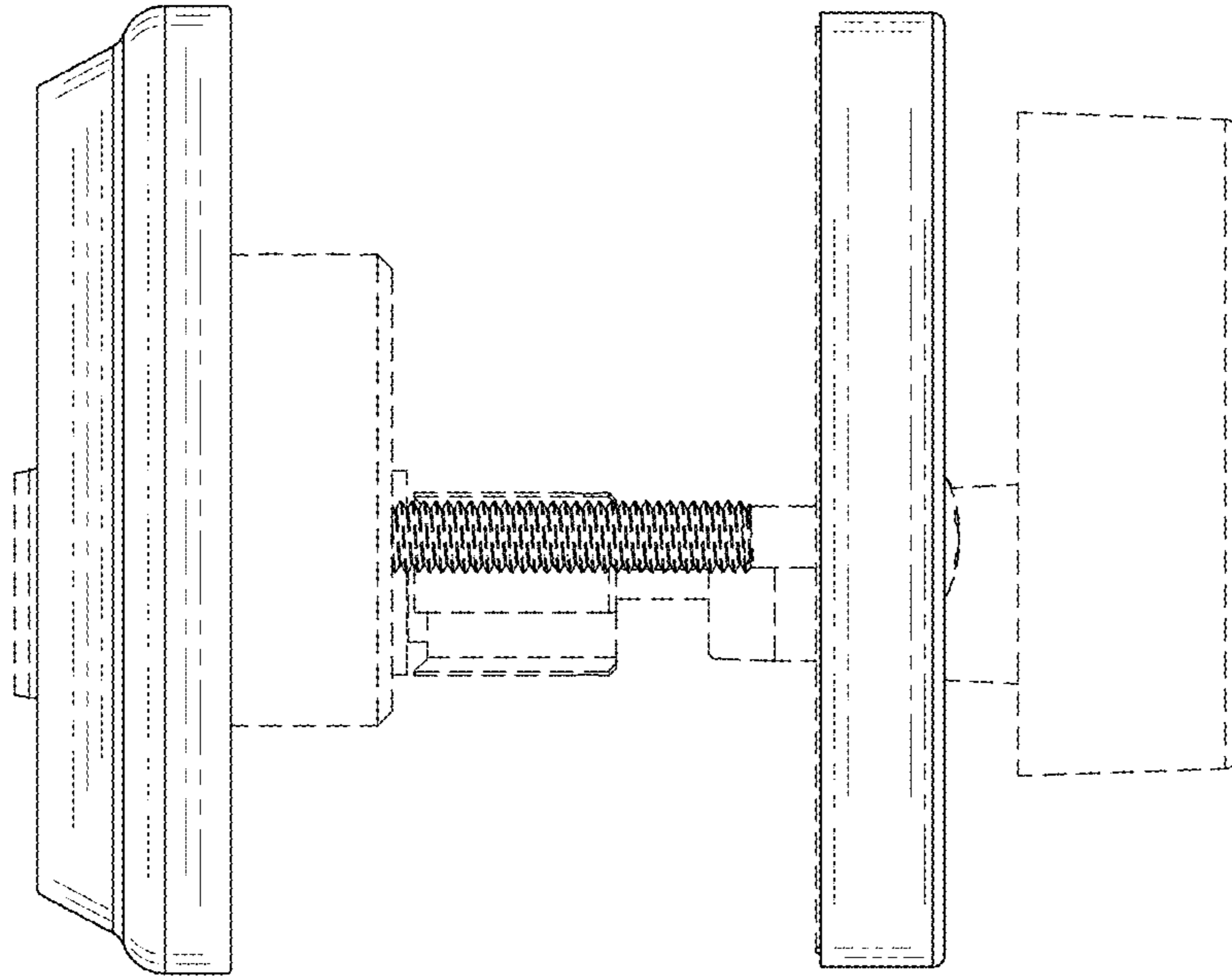


FIG.4

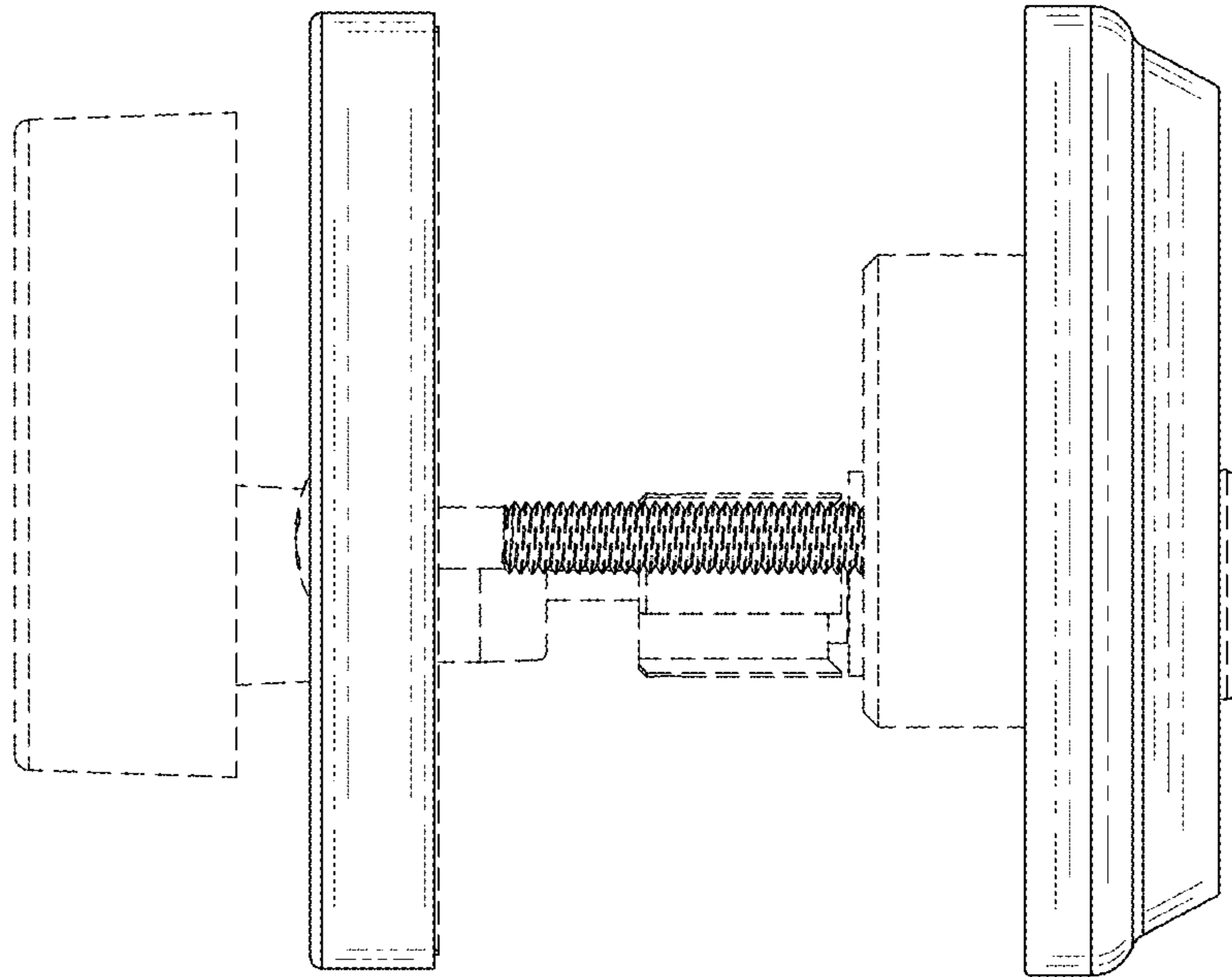


FIG.5

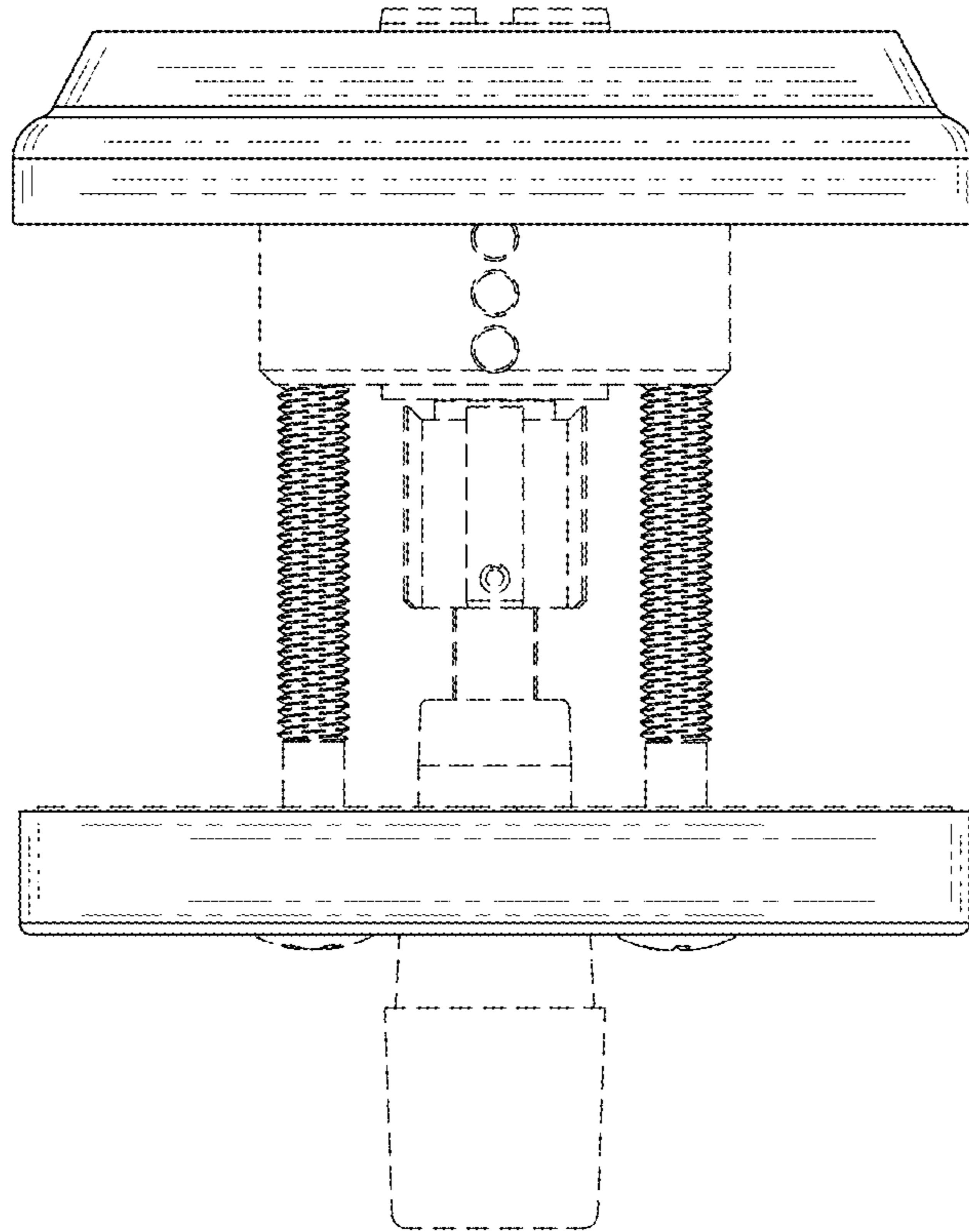


FIG.6

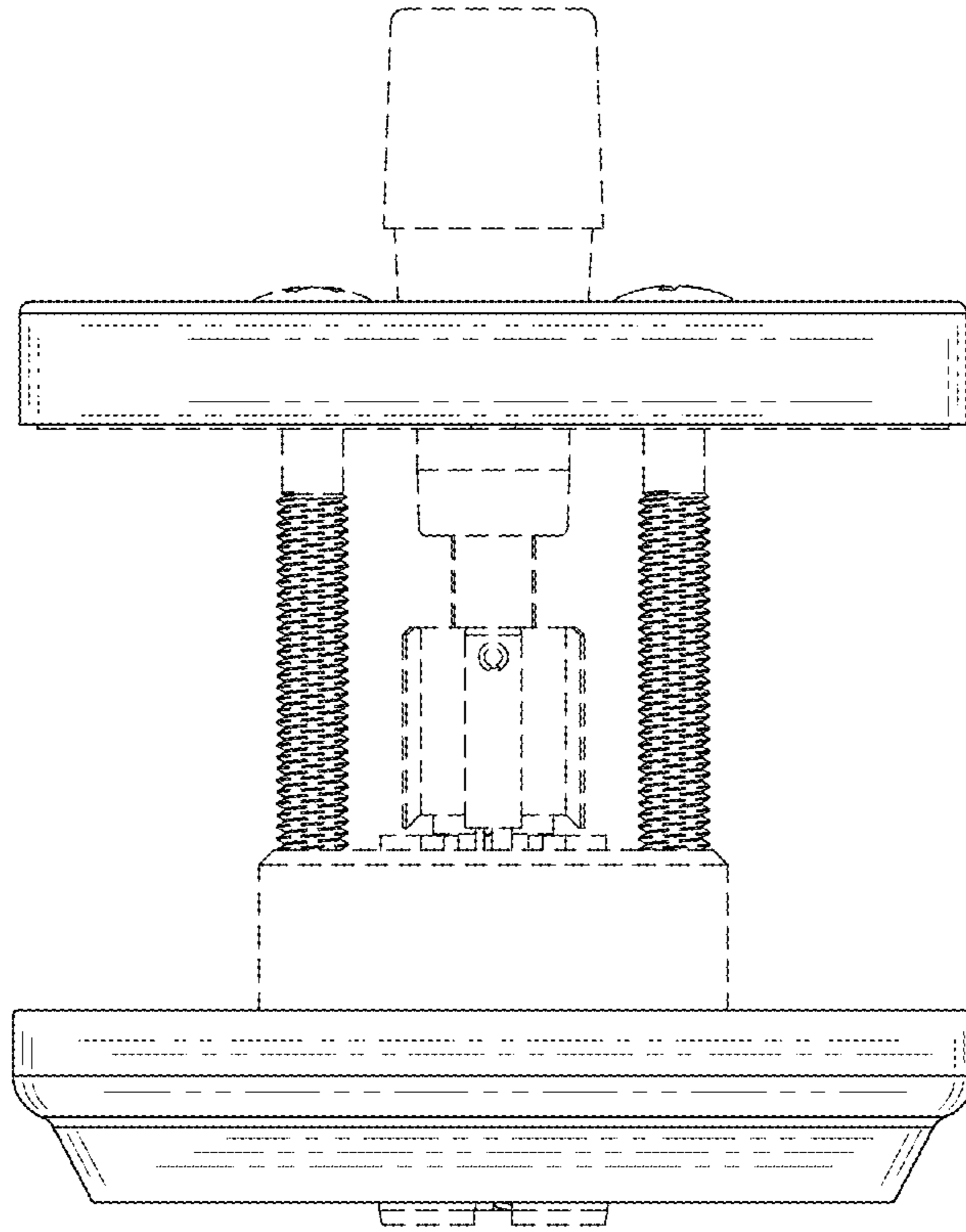


FIG.7

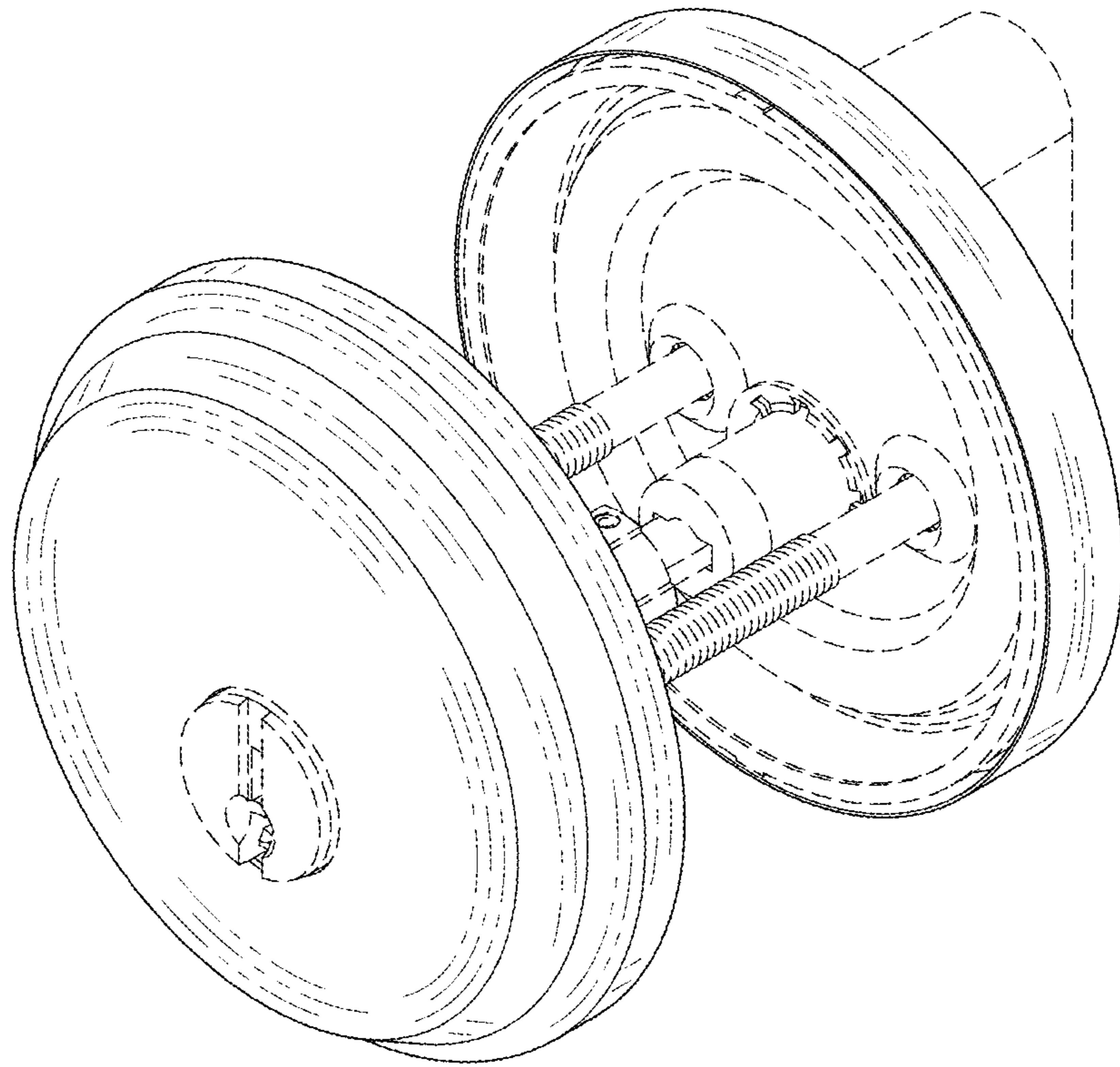


FIG.8