



US00D881676S

(12) **United States Design Patent**
Langrell et al.

(10) **Patent No.:** **US D881,676 S**
(45) **Date of Patent:** **** Apr. 21, 2020**

- (54) **SLAM LATCH FOR A GATE**
- (71) Applicant: **Northquip Inc.**, Woodlands (CA)
- (72) Inventors: **Stephen Arthur Langrell**, Woodlands (CA); **Philip Malcolm Firth**, Woodlands (CA)
- (73) Assignee: **Northquip Inc.**, Woodlands (CA)
- (**) Term: **15 Years**
- (21) Appl. No.: **29/666,614**
- (22) Filed: **Oct. 15, 2018**
- (51) **LOC (12) Cl.** **08-07**
- (52) **U.S. Cl.**
USPC **D8/331**
- (58) **Field of Classification Search**
USPC D8/302, 330, 331, 336, 338, 343, 344, D8/345; D25/39, 48.5
CPC Y10T 292/0803; Y10T 292/0813; Y10T 292/0848; Y10T 292/323; Y10T 70/5093; Y10T 70/5155; Y10T 70/5199; E05B 5/00; E05B 9/00; E05B 65/0007
See application file for complete search history.

- 3,774,947 A * 11/1973 Duncan A01K 1/0017 292/68
- 3,841,674 A * 10/1974 Bisbing E05B 5/00 292/175
- 3,850,464 A * 11/1974 Bisbing E05B 5/00 292/175
- 3,907,345 A * 9/1975 Martini E05C 5/00 292/68
- 3,918,753 A * 11/1975 McCormack E05C 3/24 292/216
- 4,176,869 A * 12/1979 Gilst A01K 1/0017 292/304
- D265,284 S * 7/1982 Woods D25/38.1
- 4,387,916 A * 6/1983 Lening E05B 65/0007 292/205
- 4,655,490 A * 4/1987 Cacicedo E05B 65/0007 292/205

(Continued)

Primary Examiner — Eric L Goodman
Assistant Examiner — Steven J Czyz
(74) *Attorney, Agent, or Firm* — Kyle R Satterthwaite; Ryan D Dupuis; Ade & Company Inc.

(57) **CLAIM**

The ornamental design for a slam latch for a gate, as shown and described.

DESCRIPTION

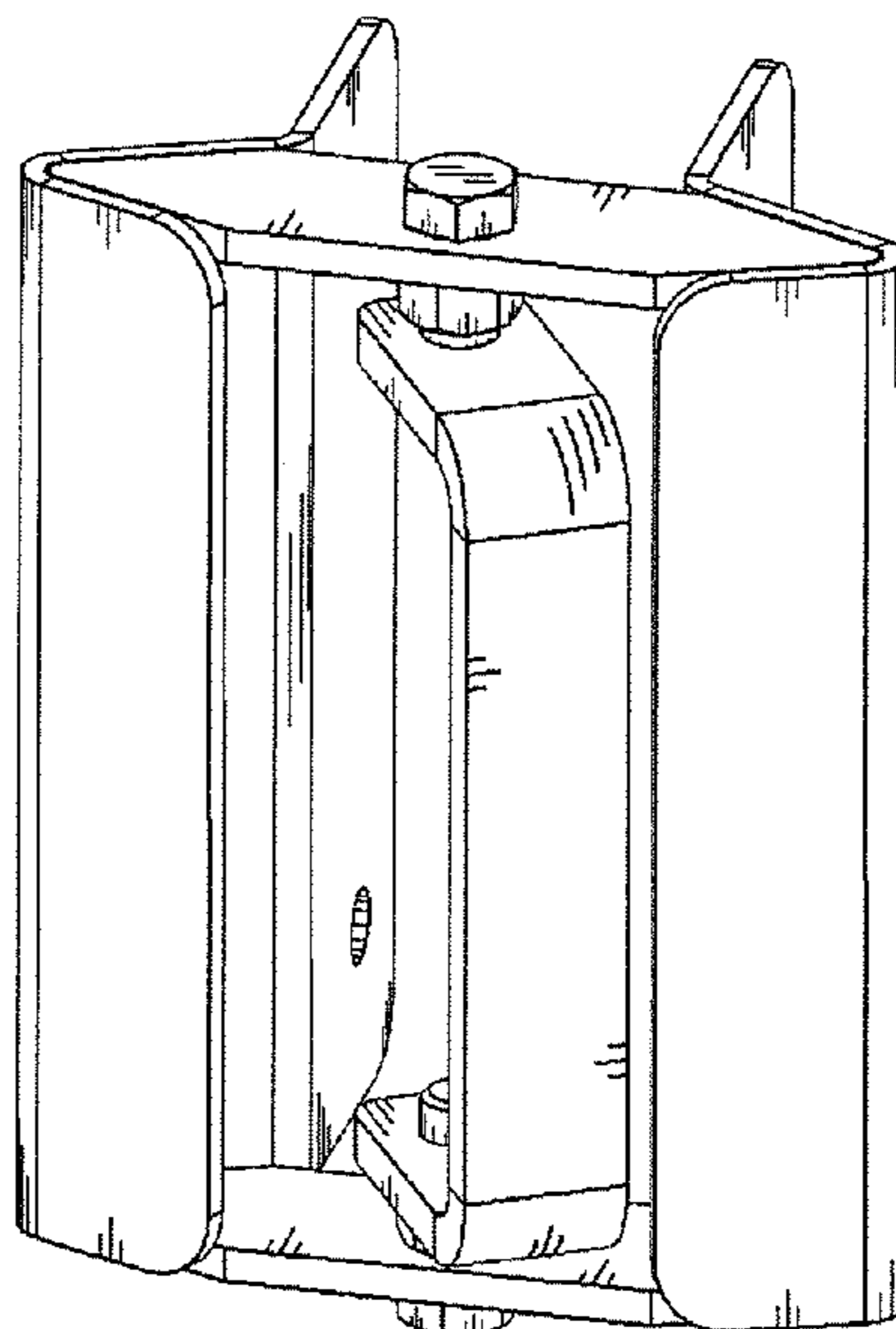
FIG. 1 is a top front perspective view of a slam latch for a gate;
FIG. 2 is a bottom front perspective view thereof;
FIG. 3 is a top rear perspective view of the thereof;
FIG. 4 is a bottom rear perspective view of the thereof;
FIG. 5 is a front elevational view of the thereof;
FIG. 6 is a rear elevational view of the thereof;
FIG. 7 is a left side elevational view of the thereof;
FIG. 8 is a right side elevational view of the thereof;
FIG. 9 is a top plan view of the thereof; and,
FIG. 10 is a bottom plan view of the thereof.

1 Claim, 5 Drawing Sheets

(56) **References Cited**

U.S. PATENT DOCUMENTS

- 1,711,370 A * 4/1929 Wilburn E05B 65/0007 292/80
- 1,896,909 A * 2/1933 Maxwell E05B 65/0007 292/341.17
- 2,577,930 A * 12/1951 Thomas E05B 65/0007 292/68
- 2,666,660 A * 1/1954 Youngworth E05B 65/0007 292/68
- 2,797,118 A * 6/1957 Yoder E05D 11/1014 292/87
- 3,653,701 A * 4/1972 Harvey E05C 19/06 292/87



(56)

References Cited

U.S. PATENT DOCUMENTS

4,776,134 A * 10/1988 Romberg E05F 1/105
292/148
5,103,658 A * 4/1992 McQuade E05B 65/0007
49/394
5,476,133 A * 12/1995 Torkelson E04H 17/06
160/328
5,934,716 A * 8/1999 Koveal E05C 1/10
292/175
6,036,245 A * 3/2000 Schaefer E05B 65/0007
292/119
6,149,208 A * 11/2000 Jubinville E05B 65/0007
292/116
7,325,842 B1 * 2/2008 Lenz E05C 19/04
292/102
7,444,714 B2 * 11/2008 Lenz E05F 3/00
16/280
9,010,816 B1 * 4/2015 Shaffer E05B 65/0007
292/252
D789,770 S * 6/2017 Reeb D8/330
10,273,719 B1 * 4/2019 Timothy E05B 65/0007
10,329,803 B1 * 6/2019 Lieser E05B 65/0007

* cited by examiner

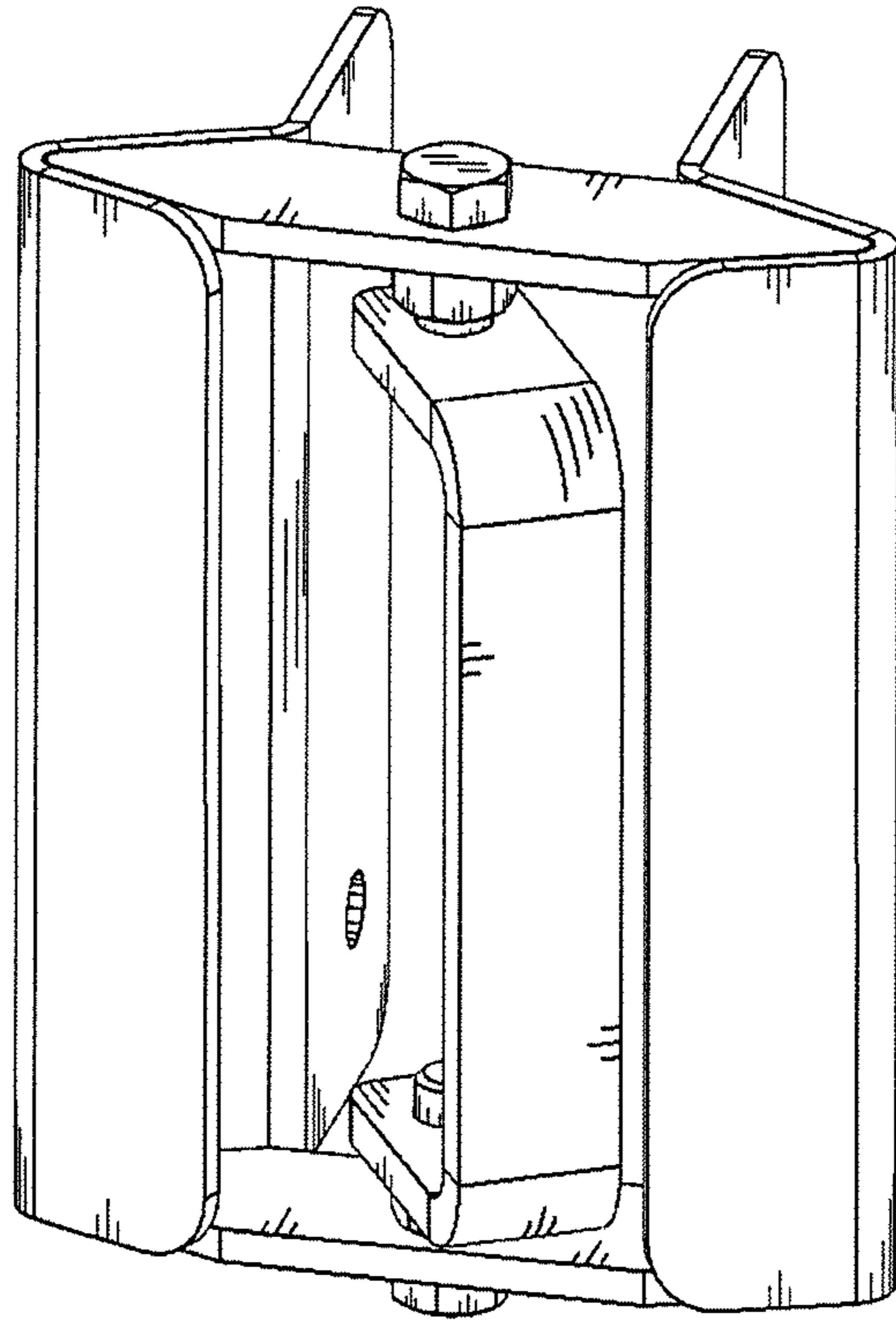


FIG. 1

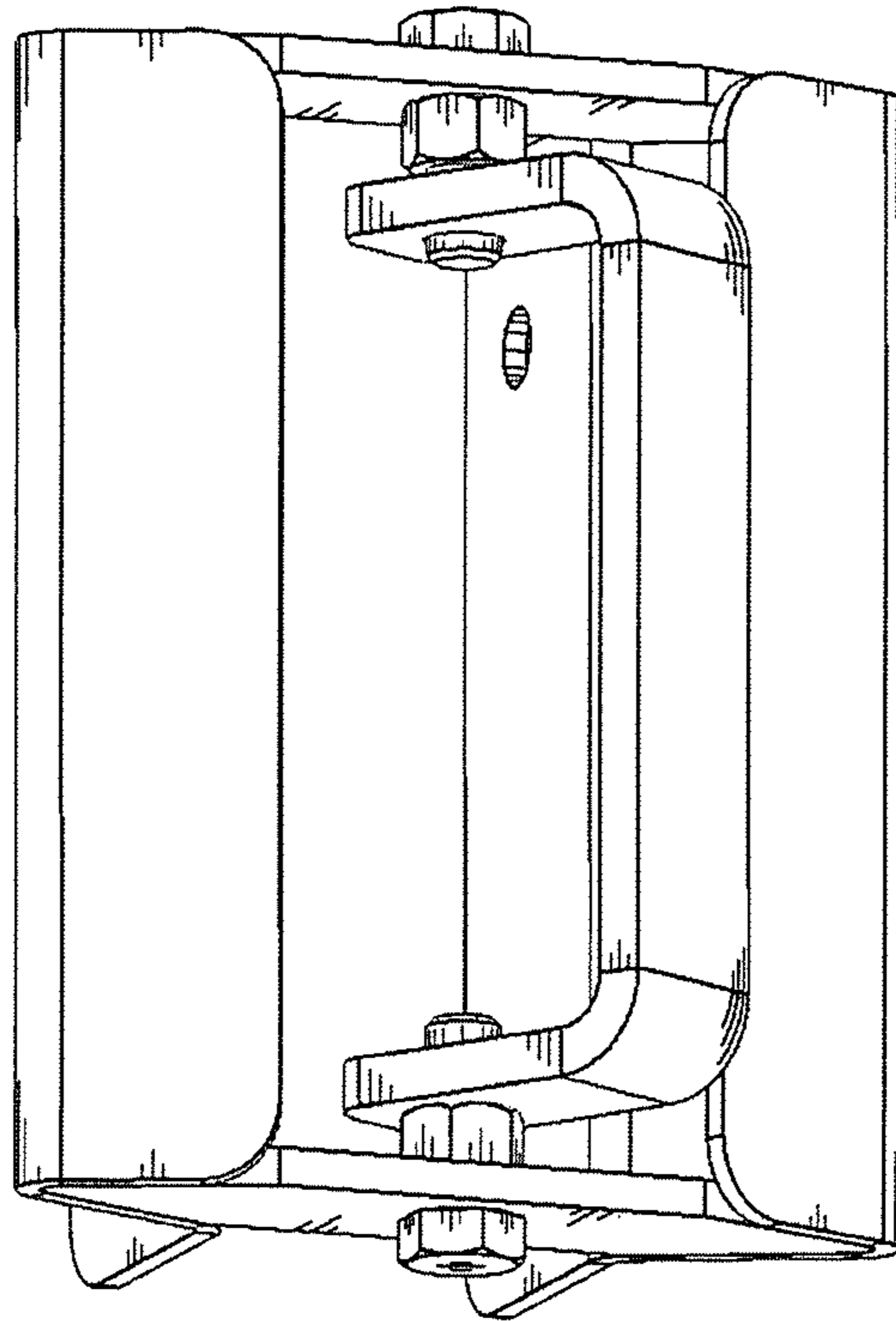


FIG. 2

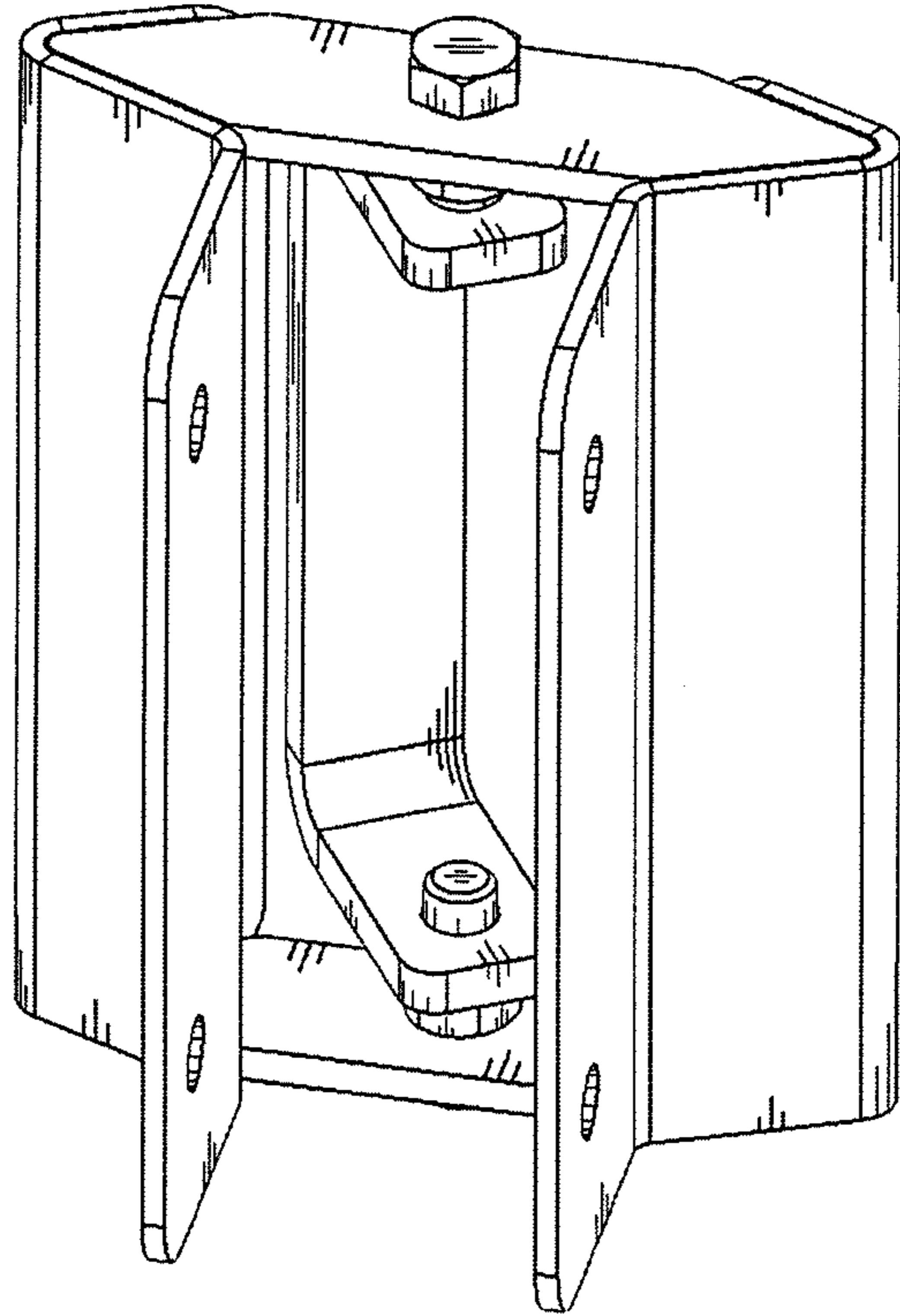


FIG. 3

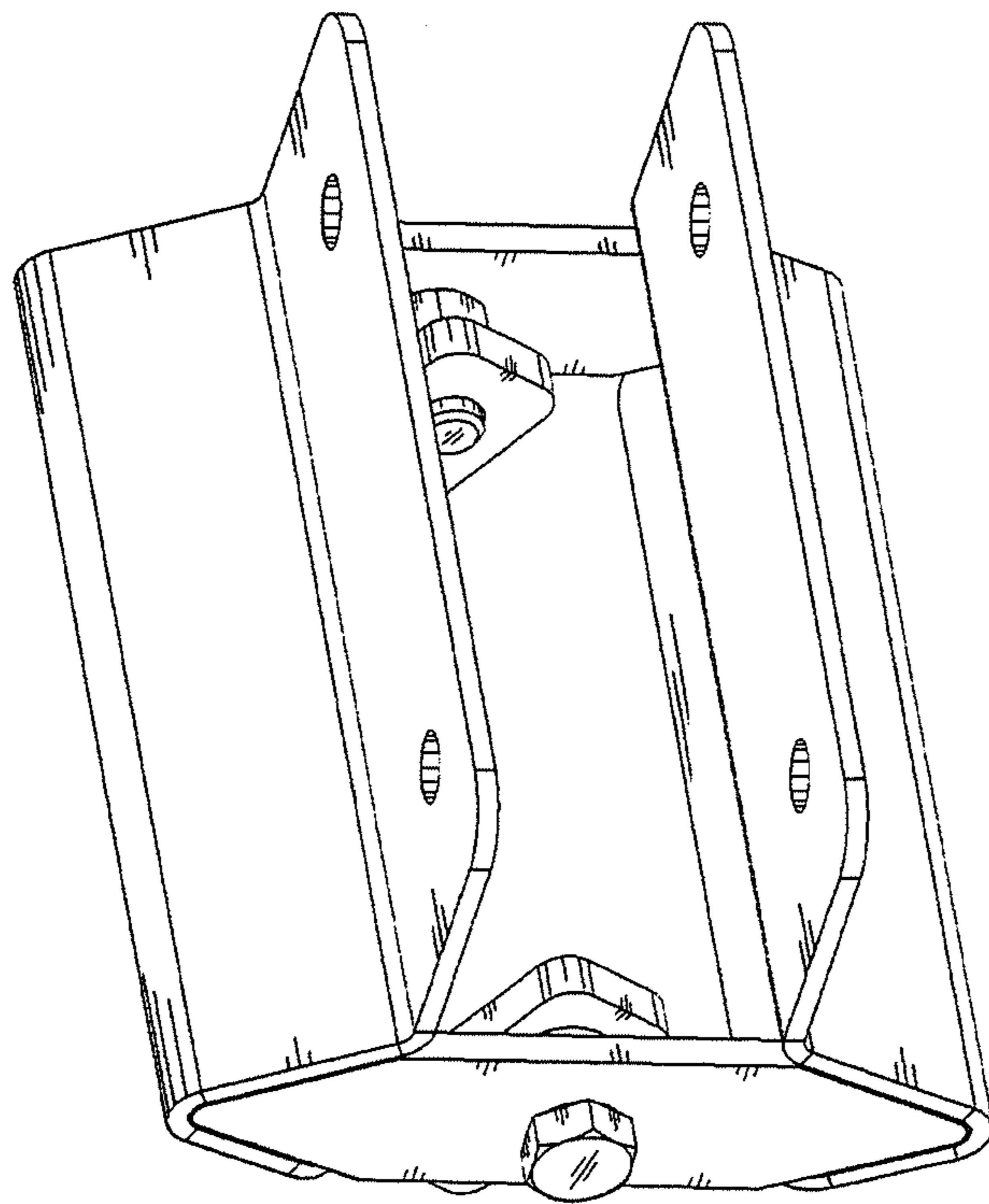


FIG. 4

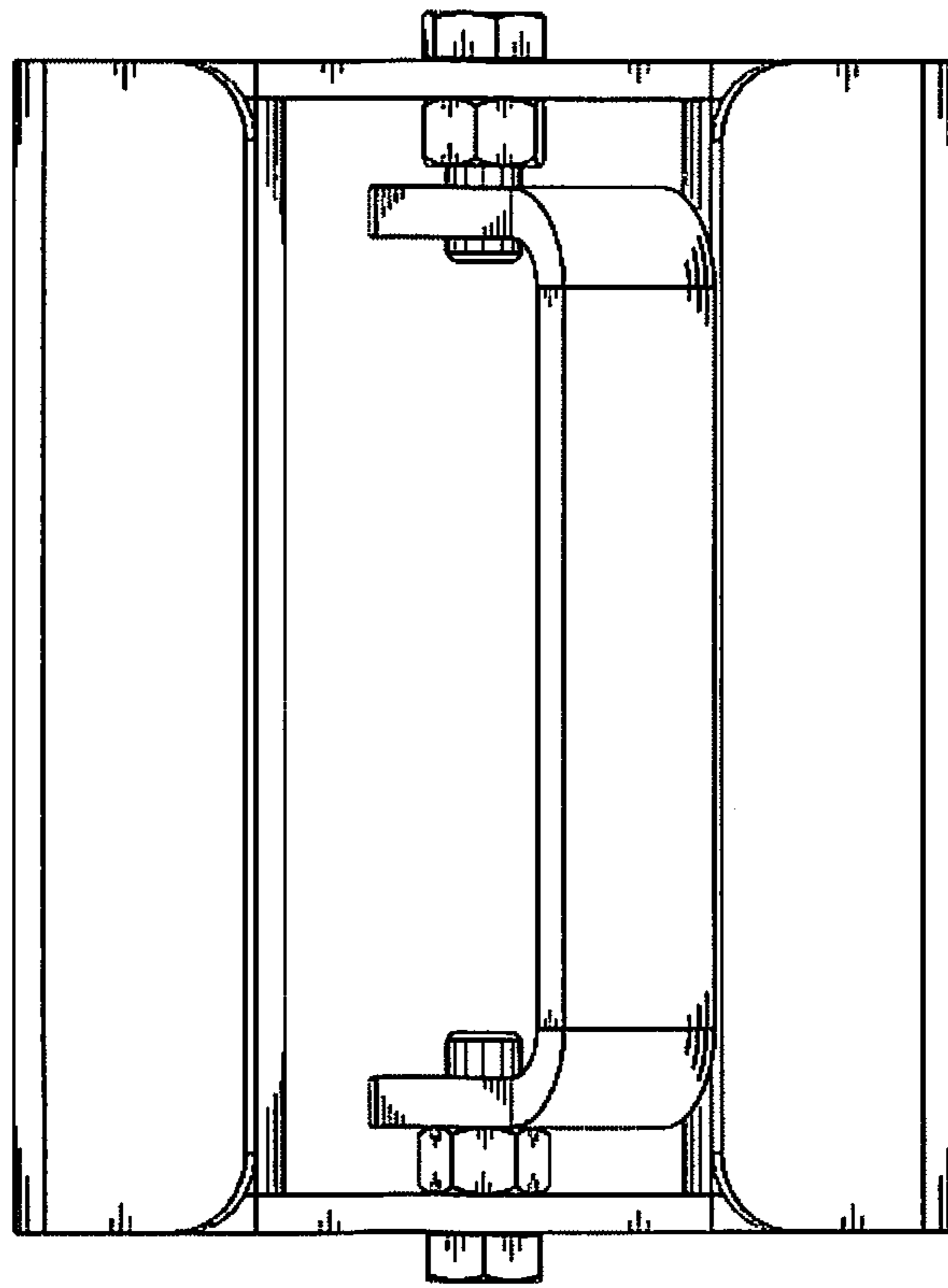


FIG.5

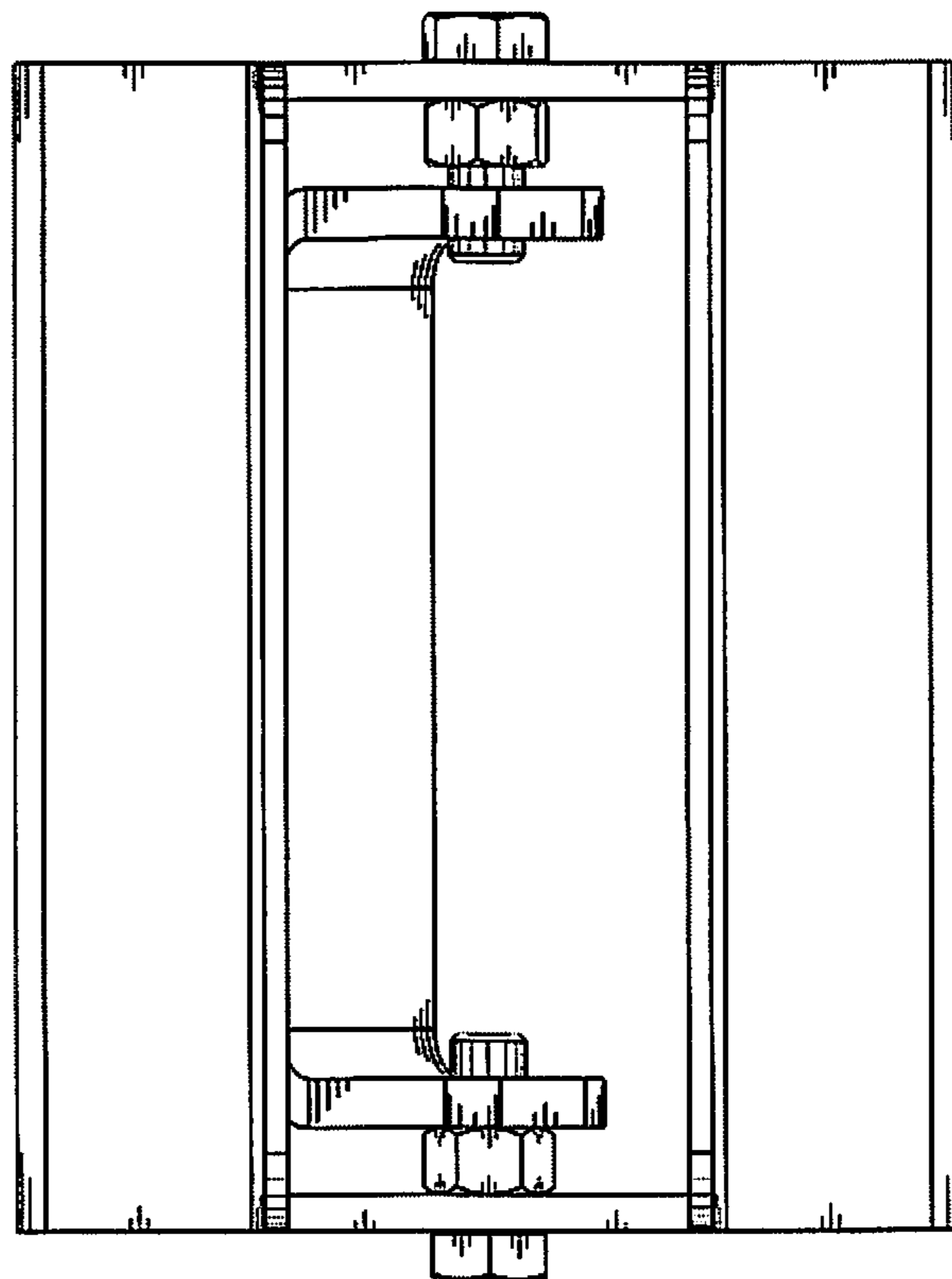


FIG.6

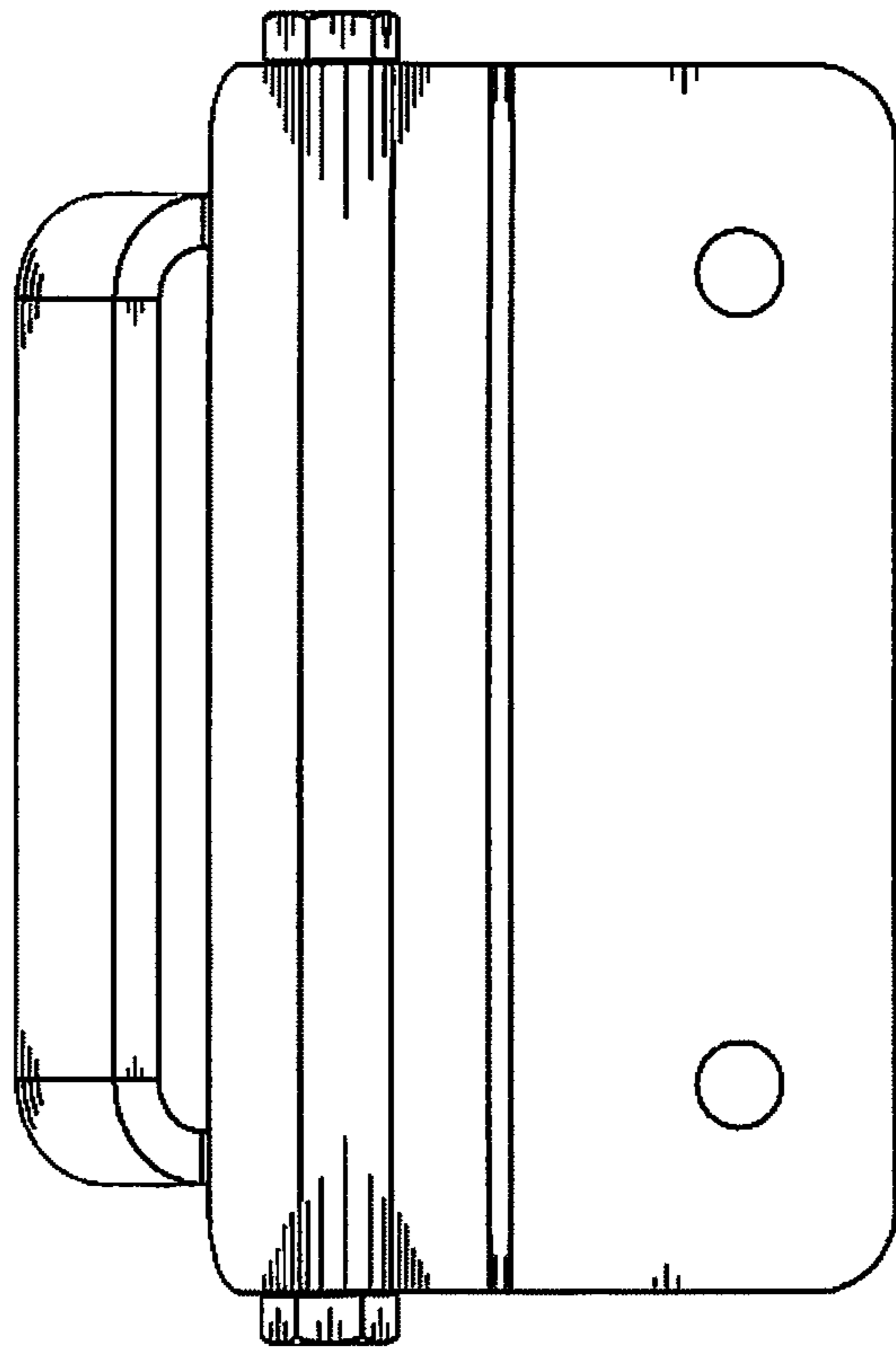


FIG. 7

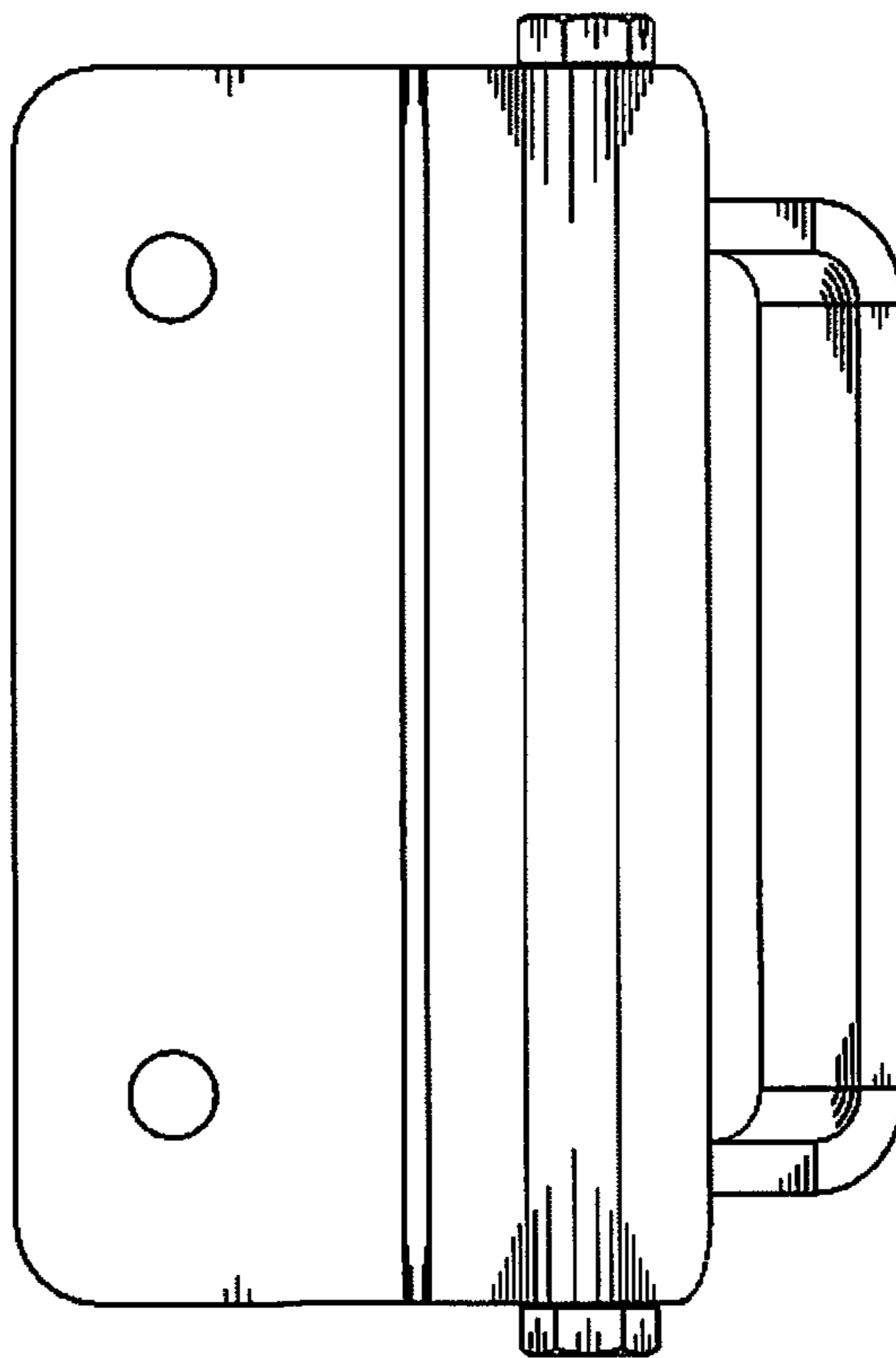


FIG. 8

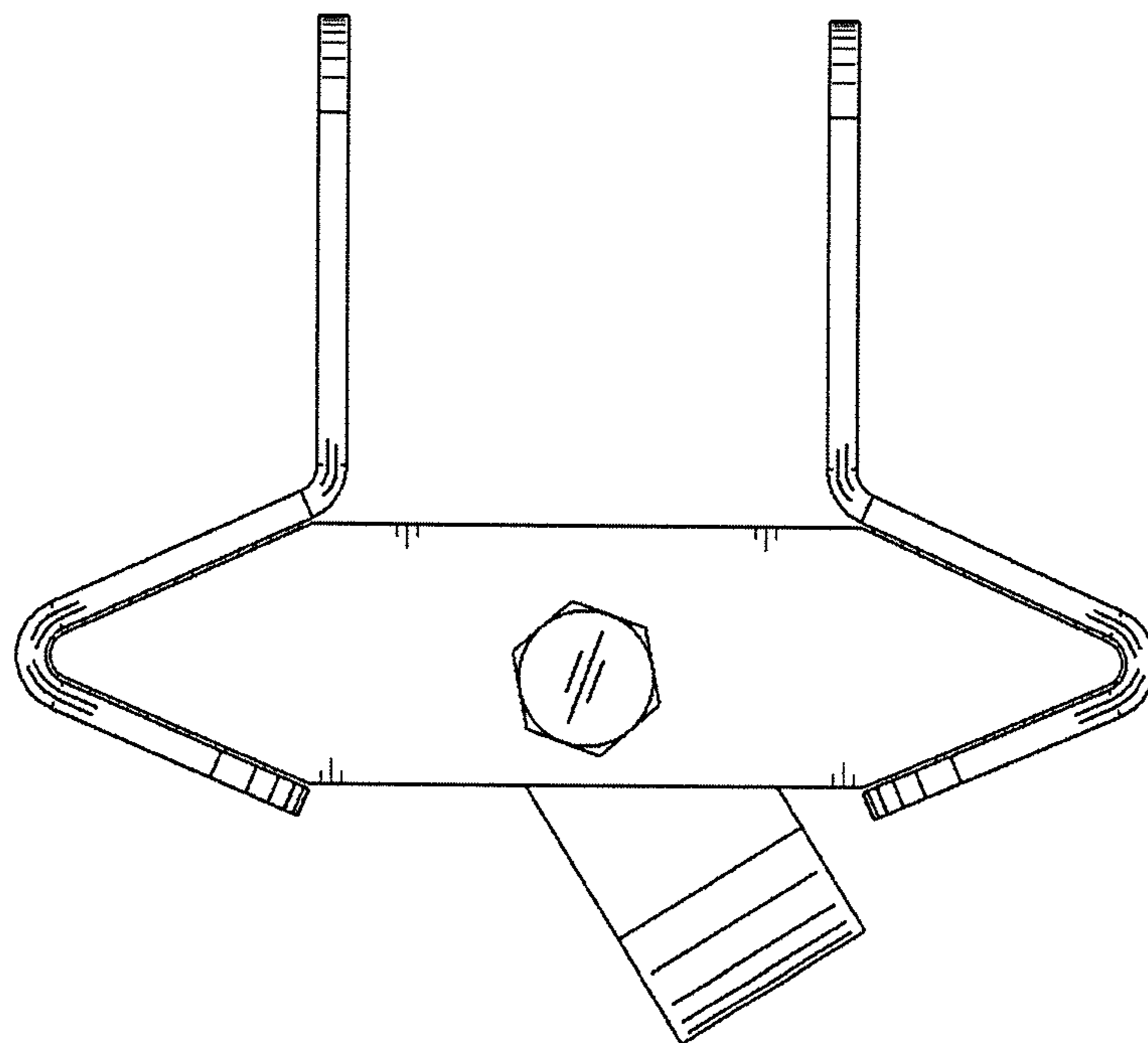


FIG. 9

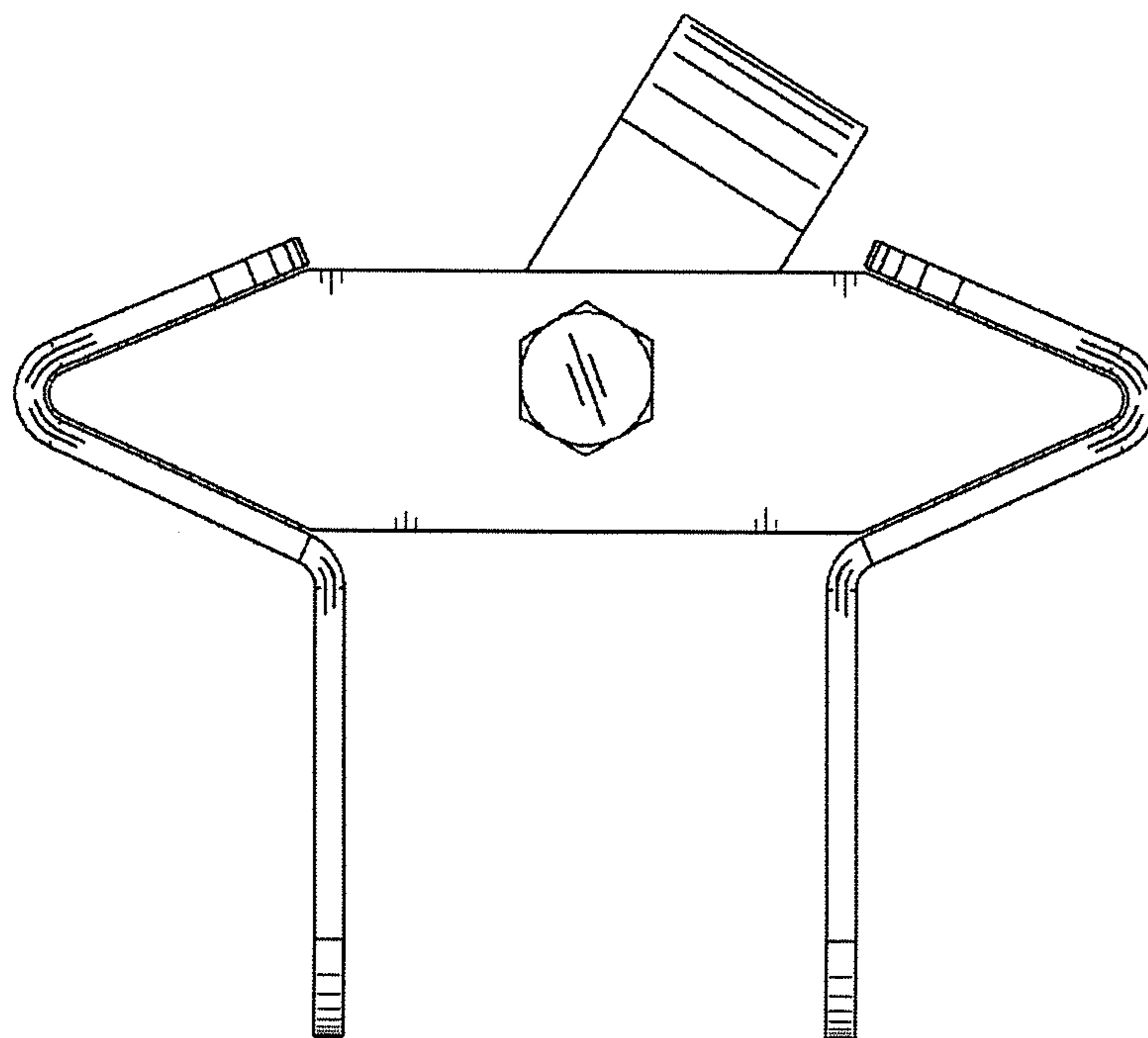


FIG. 10