



US00D881675S

(12) **United States Design Patent**
Chen

(10) **Patent No.:** **US D881,675 S**

(45) **Date of Patent:** **** Apr. 21, 2020**

(54) **LOCK COLLAR**

(71) Applicant: **TAIWAN FU HSING INDUSTRIAL CO., LTD.**, Kaohsiung (TW)

(72) Inventor: **Chi-Ming Chen**, Kaohsiung (TW)

(73) Assignee: **Taiwan Fu Hsing Industrial Co., Ltd.**, Kaohsiung (TW)

(**) Term: **15 Years**

(21) Appl. No.: **29/610,549**

(22) Filed: **Jul. 13, 2017**

(30) **Foreign Application Priority Data**

Jun. 21, 2017 (TW) 106208987

(51) **LOC (12) Cl.** **08-07**

(52) **U.S. Cl.**
USPC **D8/330**

(58) **Field of Classification Search**
USPC D8/352, 499, 330, 331, 333, 334, 341, D8/342, 349, 346, 350; D9/435, 436, D9/442, 443, 444, 445, 499, 528, 529, D9/539, 686, 687, 688; 70/58, 107, 141, 70/210, 217, 218, 221-224, 284-286, 70/314, DIG. 44, 277-283.1, 472; 206/221, 222; 215/216; 220/253, 713; 222/525
CPC ... E05B 3/00; E05B 1/00; E05B 37/00; E05B 47/00; E05B 47/06; E05B 49/00; E05B 15/02; E05B 13/103; E05B 9/00; E05B 9/002; E05B 9/02; E05C 9/004; E05C 9/002; B65D 47/12

See application file for complete search history.

(56) **References Cited**

U.S. PATENT DOCUMENTS

D351,982 S * 11/1994 Chen D8/301
D525,127 S * 7/2006 Cogley D9/456

D579,530 S * 10/2008 Bickler D23/254
D648,424 S * 11/2011 Gilbert 137/359
D677,145 S * 3/2013 Hsieh D8/330
D678,752 S * 3/2013 Sedwick D23/249
D679,171 S * 4/2013 Sedwick D23/249
D679,986 S * 4/2013 Hsieh D8/330
D686,612 S * 7/2013 Sullivan D14/302
D718,136 S * 11/2014 Harrity D9/499
D738,186 S * 9/2015 Nadgouda D8/331
D738,700 S * 9/2015 Yan D8/330
D740,642 S * 10/2015 Carlsson D8/301
D755,038 S * 5/2016 Bolton D8/352
D756,747 S * 5/2016 Wu D8/352
D780,859 S * 3/2017 Ramsey D21/694
D790,321 S * 6/2017 Hsu D8/331

(Continued)

Primary Examiner — Ian Simmons

Assistant Examiner — Yolanda Robinson

(74) *Attorney, Agent, or Firm* — Rosenberg, Klein & Lee

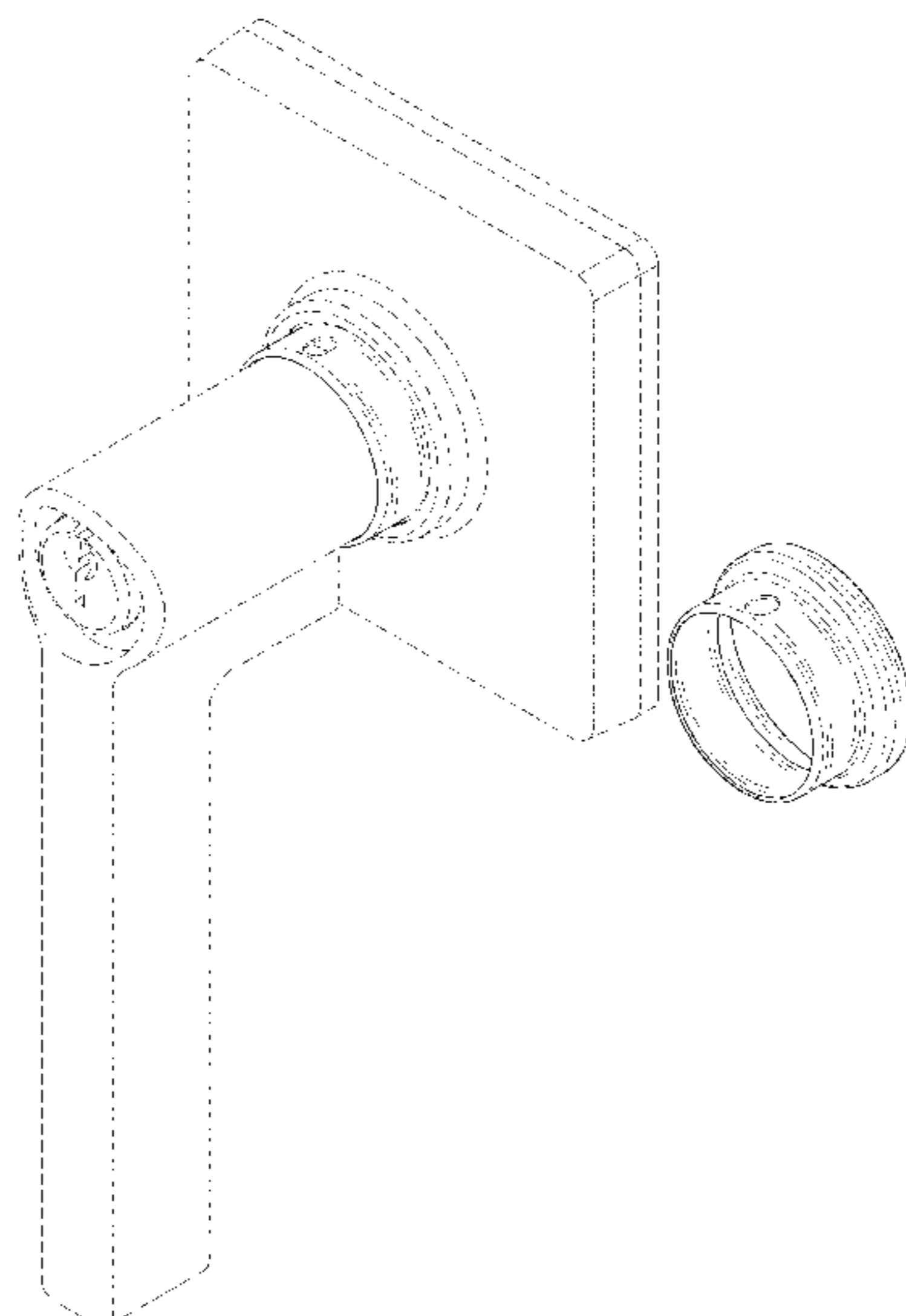
(57) **CLAIM**

The ornamental design for a lock collar, as shown and described.

DESCRIPTION

FIG. 1 is a perspective view of the lock collar showing my new design;
FIG. 2 is a front elevational view thereof;
FIG. 3 is a rear front elevational view thereof;
FIG. 4 is a left side elevational view thereof;
FIG. 5 is a right side elevational view thereof;
FIG. 6 is a top plan view thereof;
FIG. 7 is a bottom plan view thereof;
FIG. 8 is a perspective view showing a lock collar without the lock of my new design; and,
FIG. 9 is a further perspective view showing a lock collar without the lock of my new design.
The broken line illustration of environmental structure in the drawings form no part of the claimed design.

1 Claim, 9 Drawing Sheets



(56)

References Cited

U.S. PATENT DOCUMENTS

D790,951 S * 7/2017 Ferreira Sanchez D8/331
2010/0258522 A1* 10/2010 Escobar B65D 39/0076
215/364
2012/0267903 A1* 10/2012 Welsby E05B 55/005
292/145
2013/0239632 A1* 9/2013 Moon E05B 13/04
70/344
2014/0047875 A1* 2/2014 Weathersby E05B 63/16
70/141
2014/0130557 A1* 5/2014 Koh E05B 53/003
70/344
2015/0220109 A1* 8/2015 von Badinski G01P 15/00
340/539.12
2016/0130837 A1* 5/2016 Chiou E05B 3/003
70/224
2016/0230419 A1* 8/2016 Alexander E05B 9/002
2017/0275925 A1* 9/2017 Murphy E05B 13/004
2018/0058096 A1* 3/2018 Ou E05B 55/005

* cited by examiner

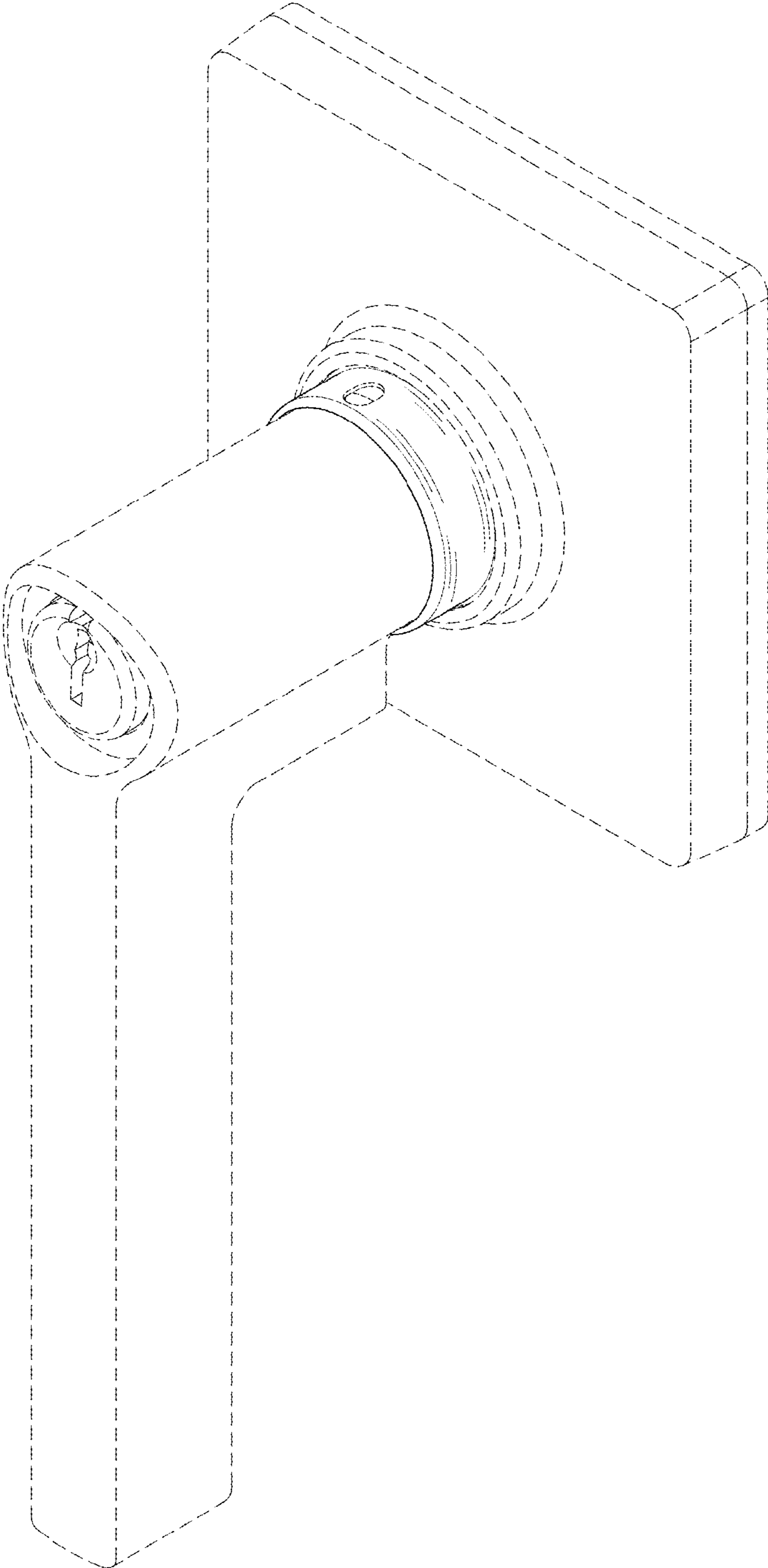


FIG.1

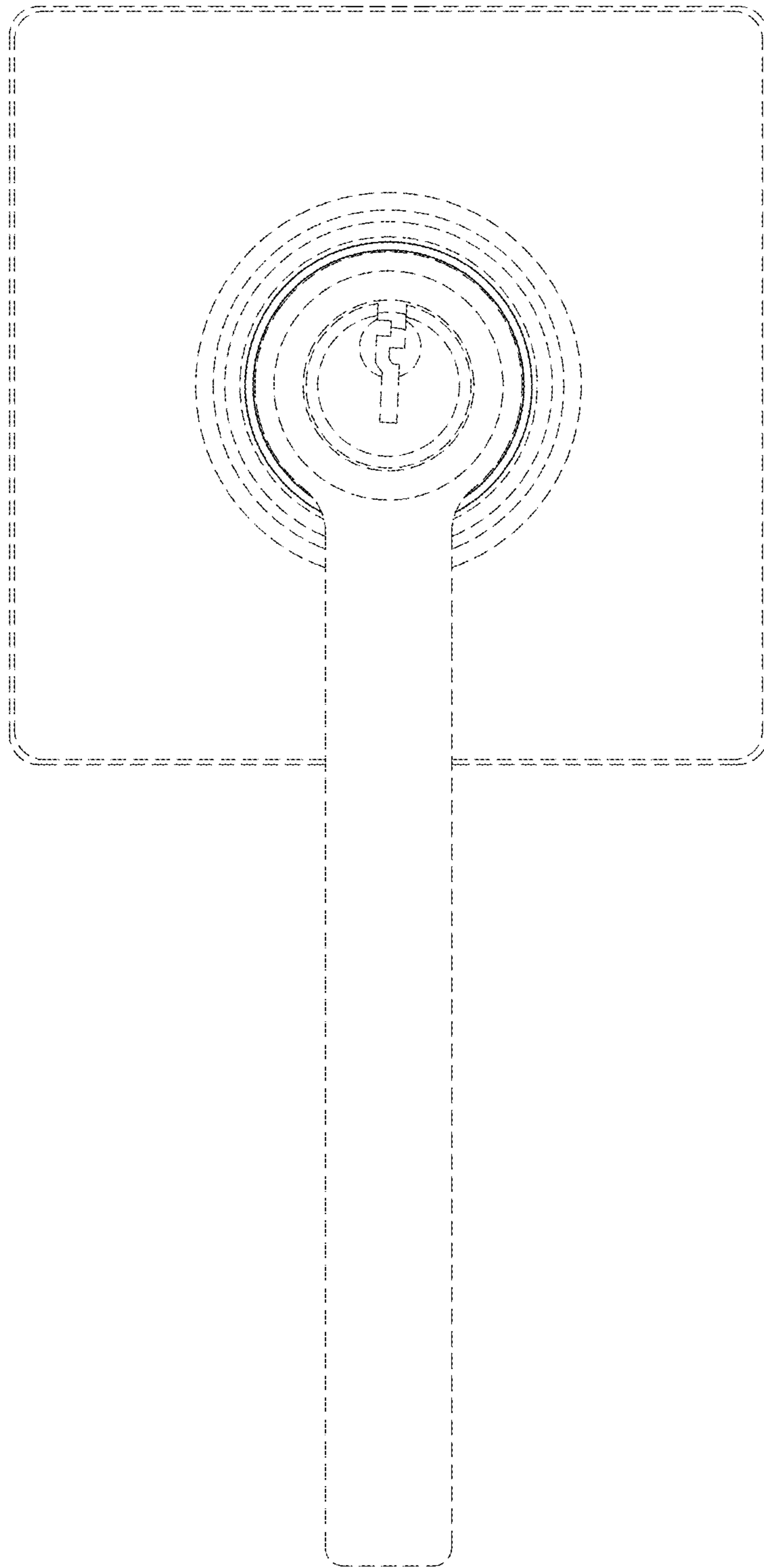


FIG.2

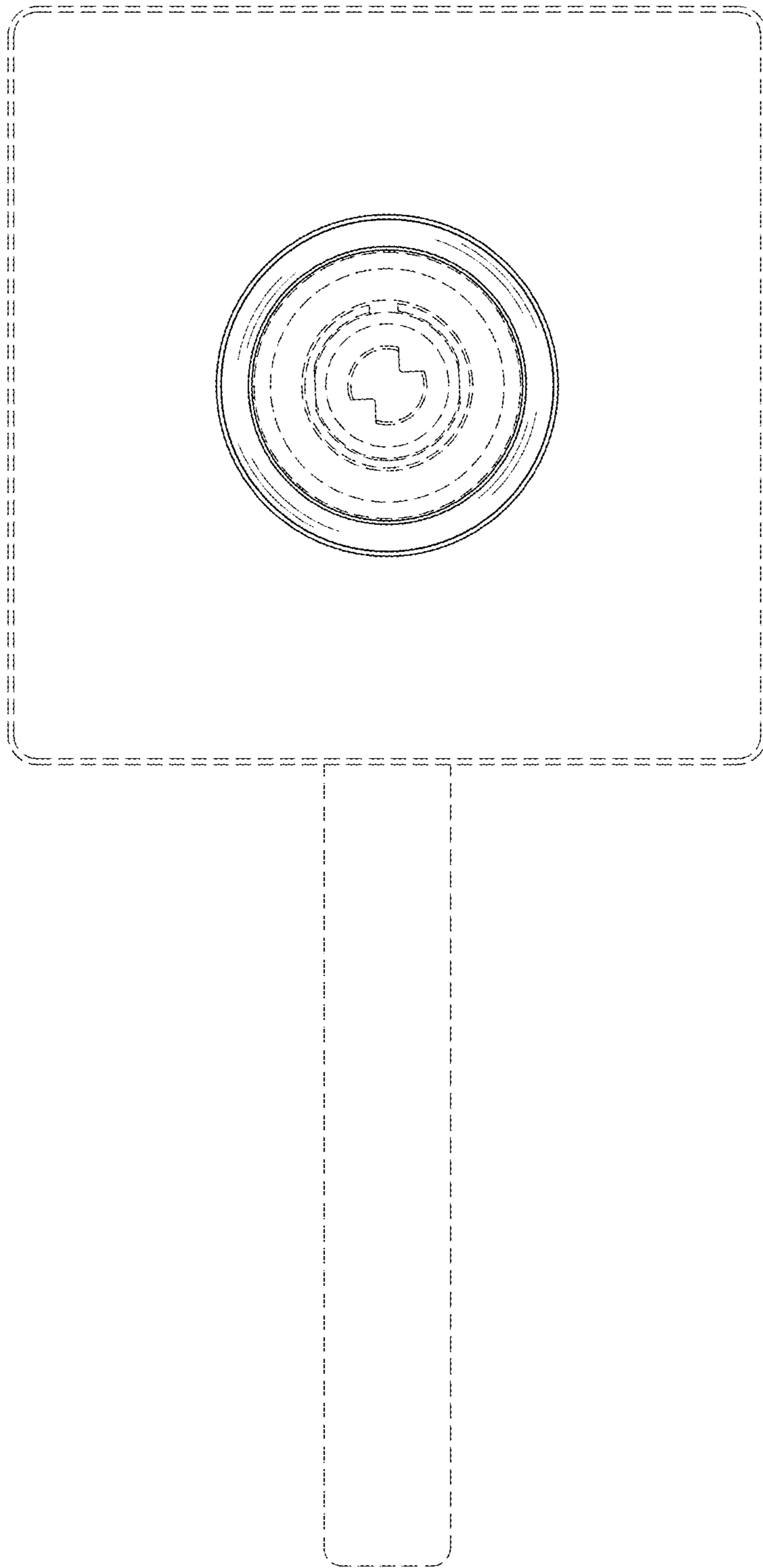


FIG.3

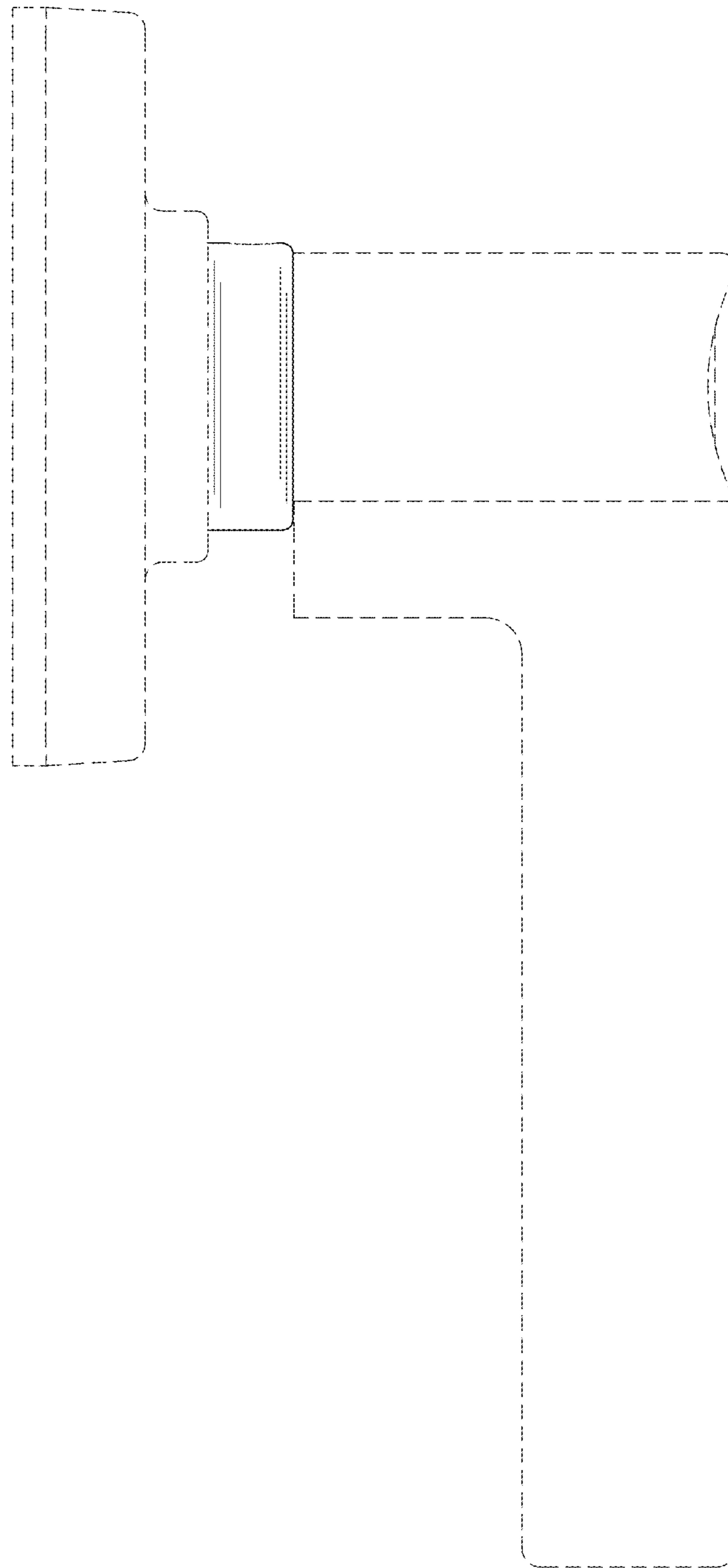


FIG.4

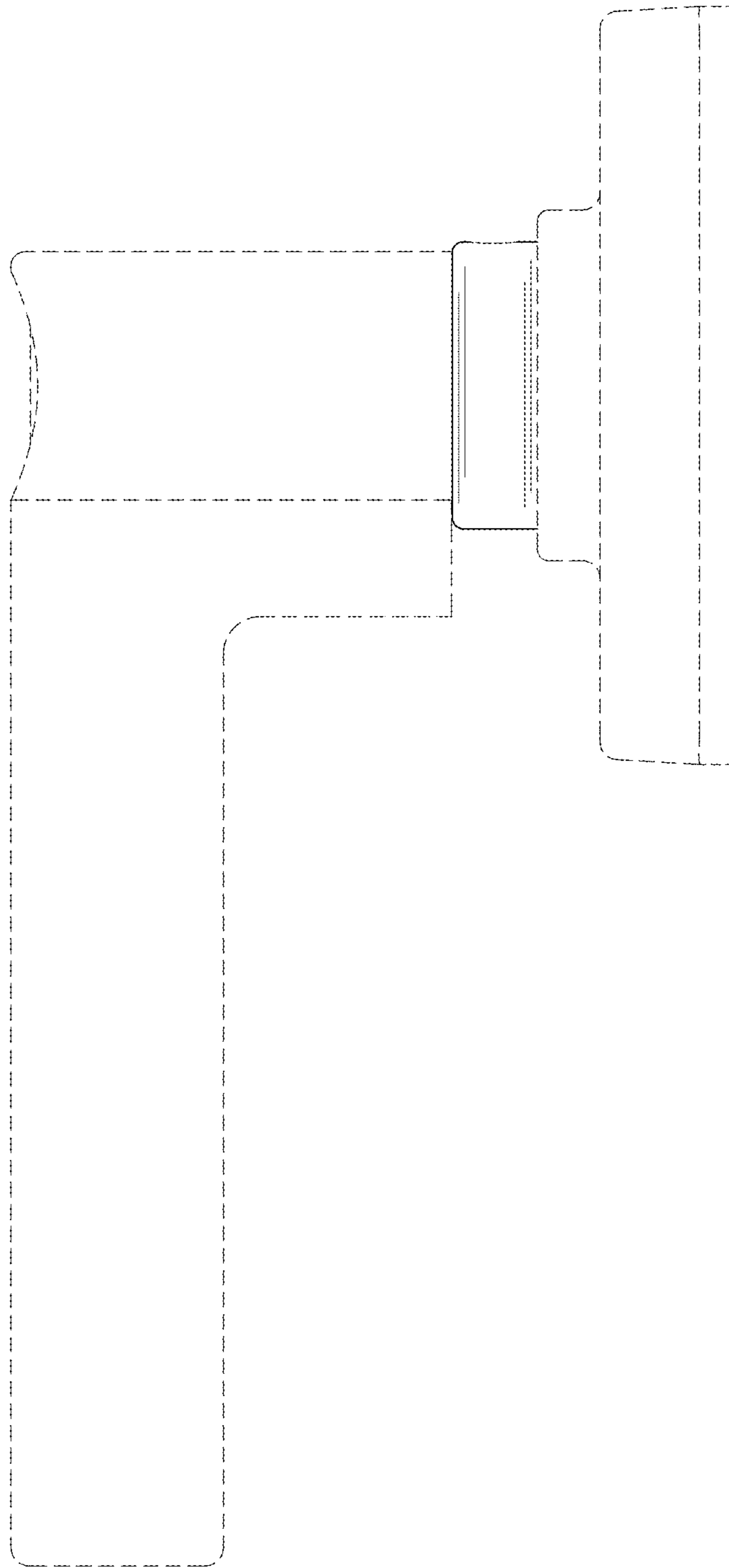


FIG.5

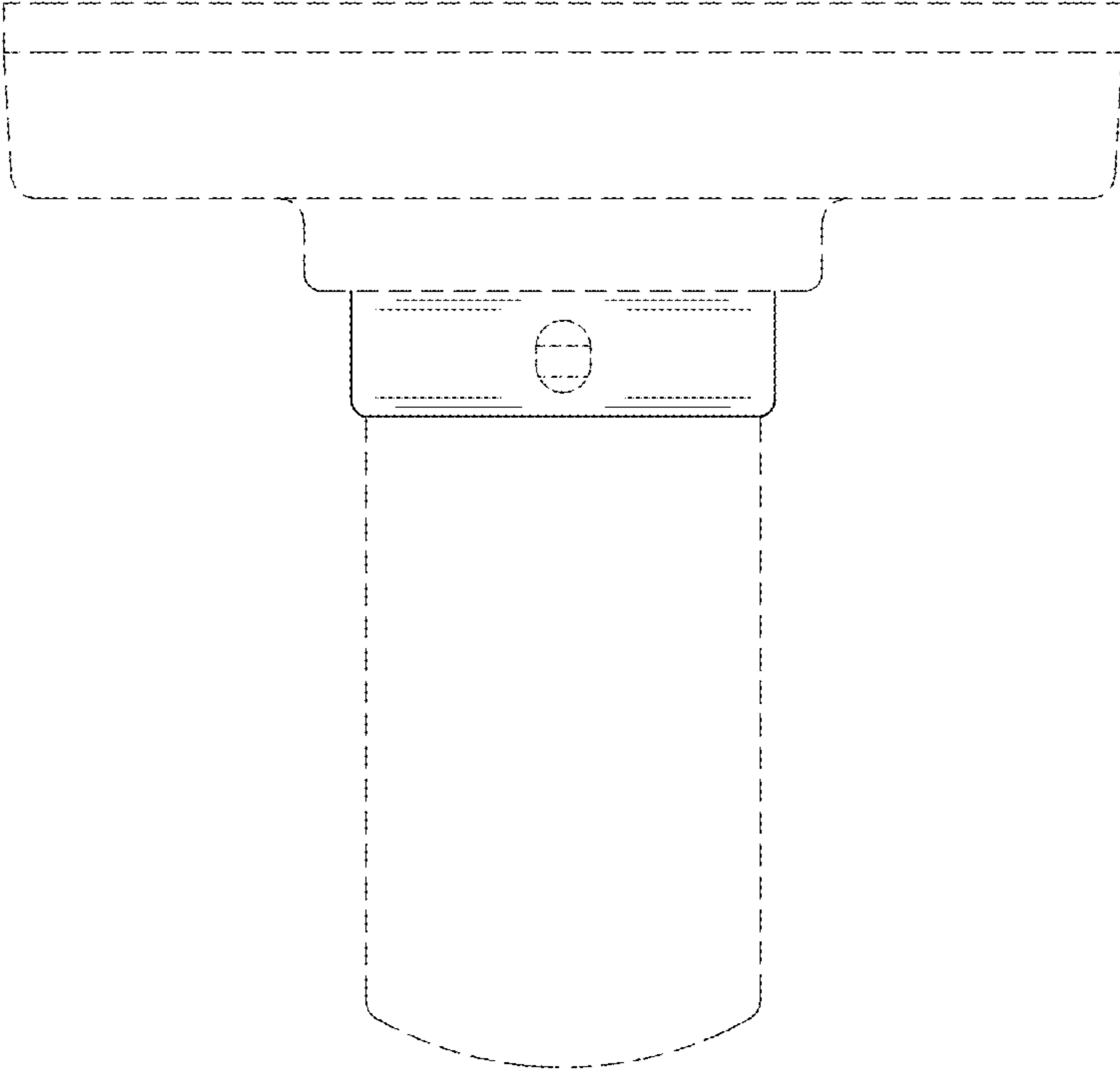


FIG.6

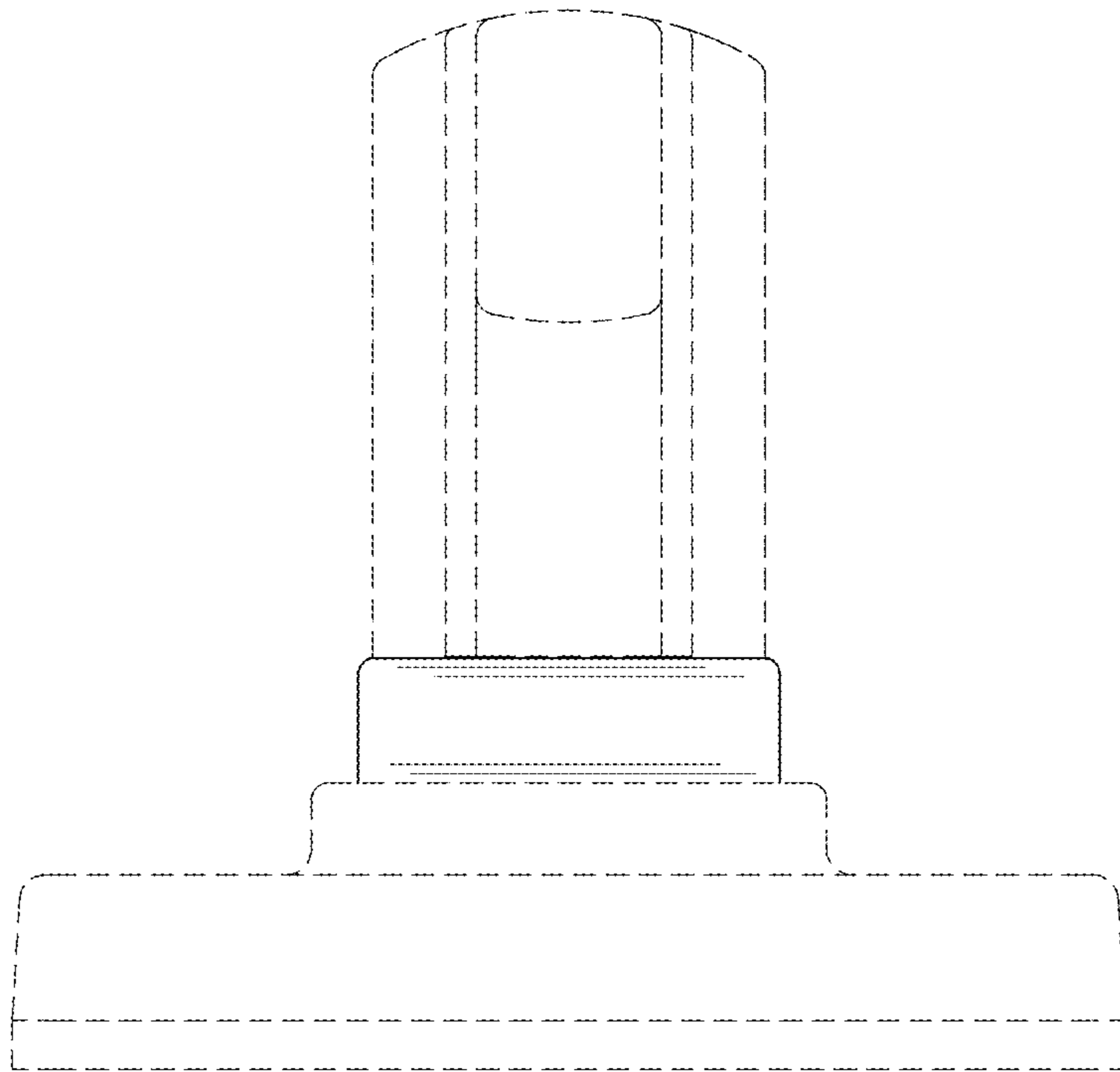


FIG.7

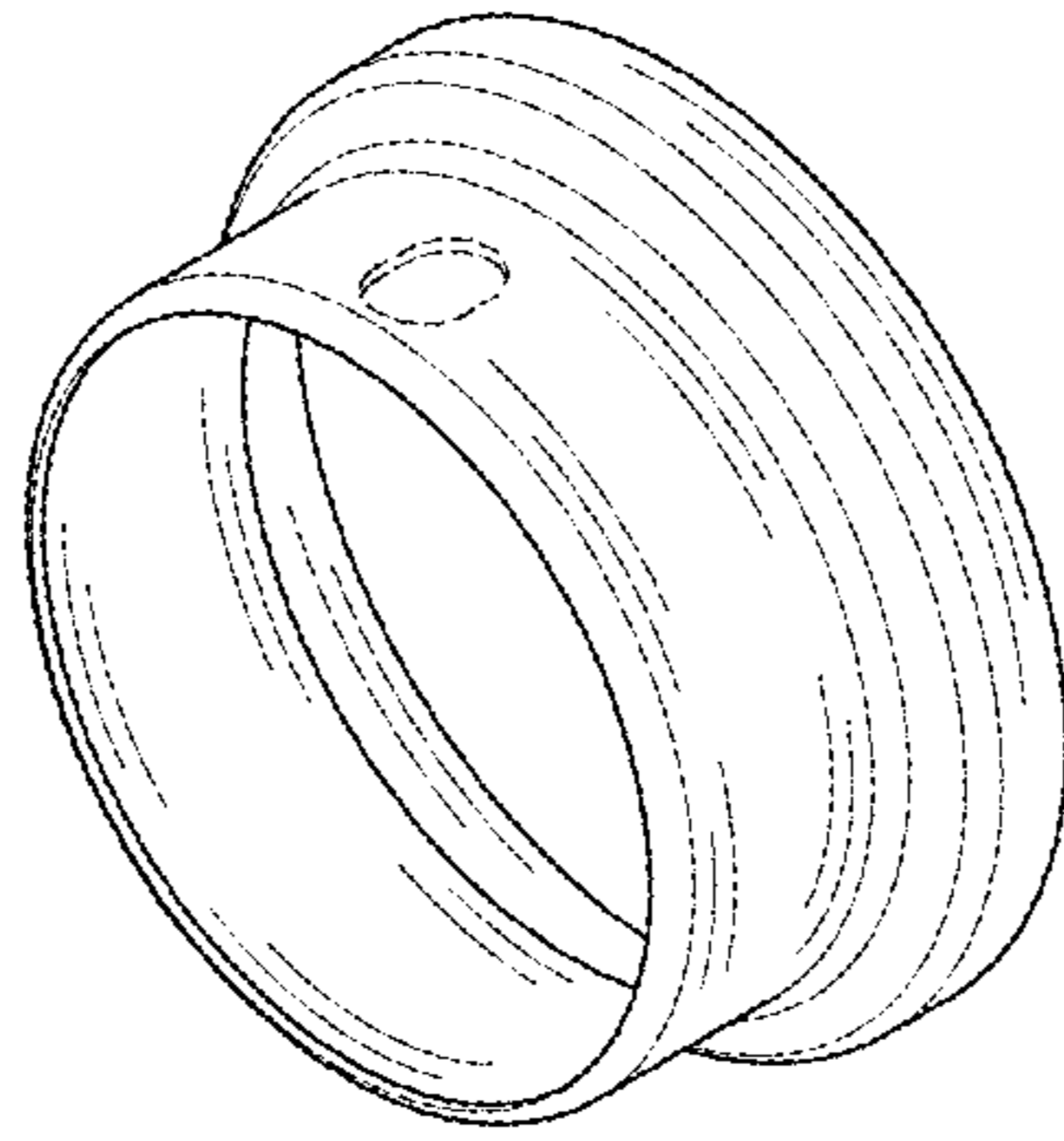


FIG.8

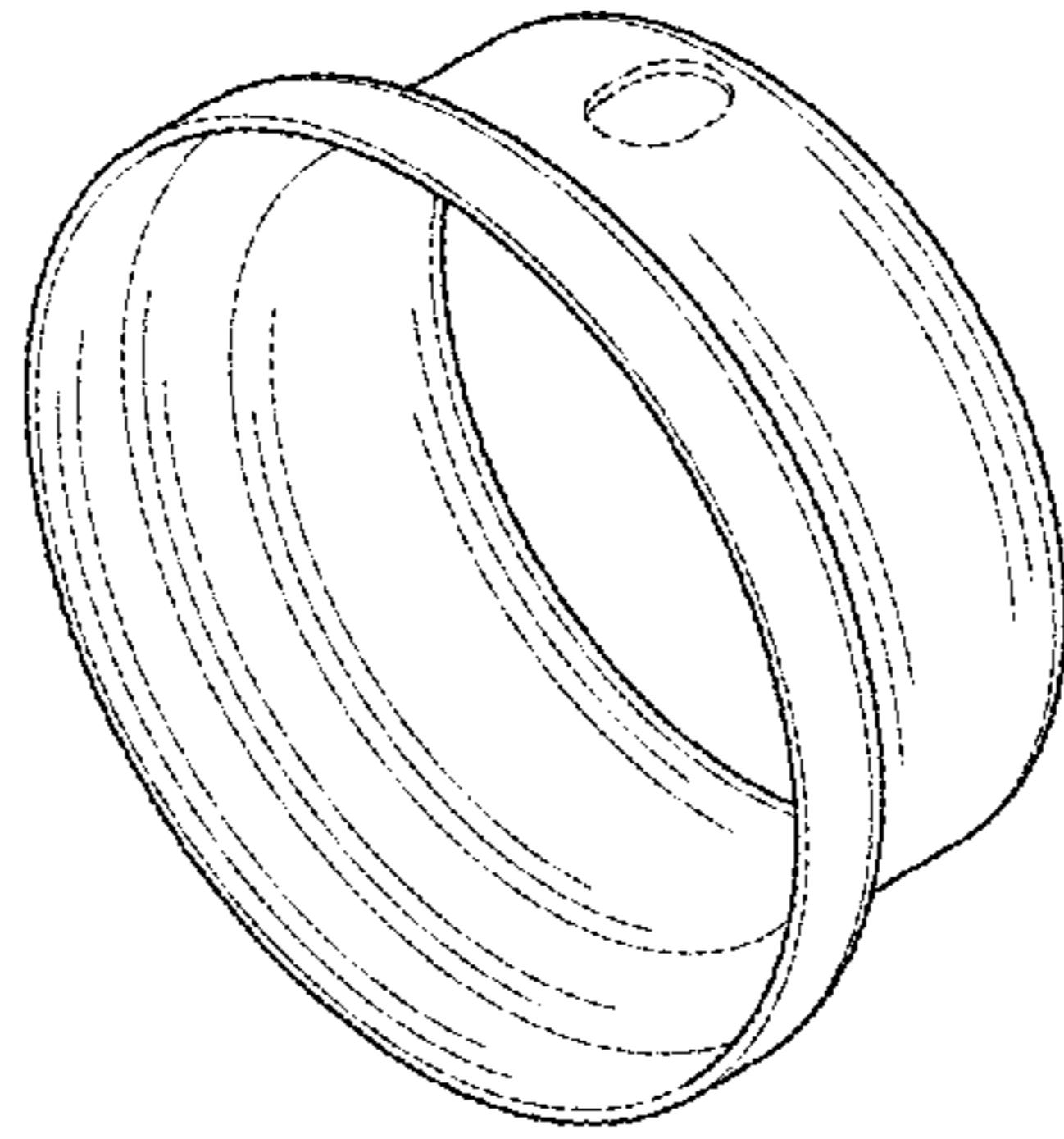


FIG.9