



US00D881673S

(12) **United States Design Patent** (10) **Patent No.:** **US D881,673 S**
DeFrancia (45) **Date of Patent:** **** Apr. 21, 2020**

(54) **HANDLE**
(71) Applicant: **Ice Rover, Inc.**, Boulder, CO (US)
(72) Inventor: **Tomas A. DeFrancia**, Boulder, CO (US)
(73) Assignee: **ICE ROVER, INC.**, Boulder, CO (US)
(**) Term: **15 Years**
(21) Appl. No.: **29/607,833**

5,193,706 A 3/1993 Hanna et al.
5,228,706 A 7/1993 Boville
5,249,438 A 10/1993 Rhaney et al.
5,269,157 A 12/1993 Ciminelli et al.
5,285,656 A 2/1994 Peters
5,285,936 A 2/1994 Matricardi, Jr.
5,306,029 A 4/1994 Kaiser, II
5,313,817 A 5/1994 Meinders
5,423,195 A 6/1995 Peters
5,479,866 A 1/1996 Rae
5,484,046 A 1/1996 Alper et al.
5,490,606 A 2/1996 Lombardo
5,595,429 A 1/1997 Kennedy
5,803,472 A 9/1998 Lien

(Continued)

(22) Filed: **Jun. 16, 2017**
(51) **LOC (12) Cl.** **08-06**
(52) **U.S. Cl.**
USPC **D8/303; D7/605**
(58) **Field of Classification Search**
USPC D8/107, 300, 301, 303; D7/393, 605;
D12/178
CPC . B62B 2204/06; B62B 2202/52; B62B 5/067;
B62B 1/12; B62B 1/20; B62B 2204/04;
B62B 5/06; A45C 13/28; B65D 25/28
See application file for complete search history.

OTHER PUBLICATIONS

Igloo, All Terrain Cooler, 100 quart, Jun. 2015.
Pelican, ProGear 45-Quart Elite Wheeled Cooler, Oct. 2015.

Primary Examiner — Lauren R Calve
(74) *Attorney, Agent, or Firm* — Lieberman & Brandsdorfer, LLC

(57) **CLAIM**

The ornamental design for a handle, as shown and described.

(56) **References Cited**

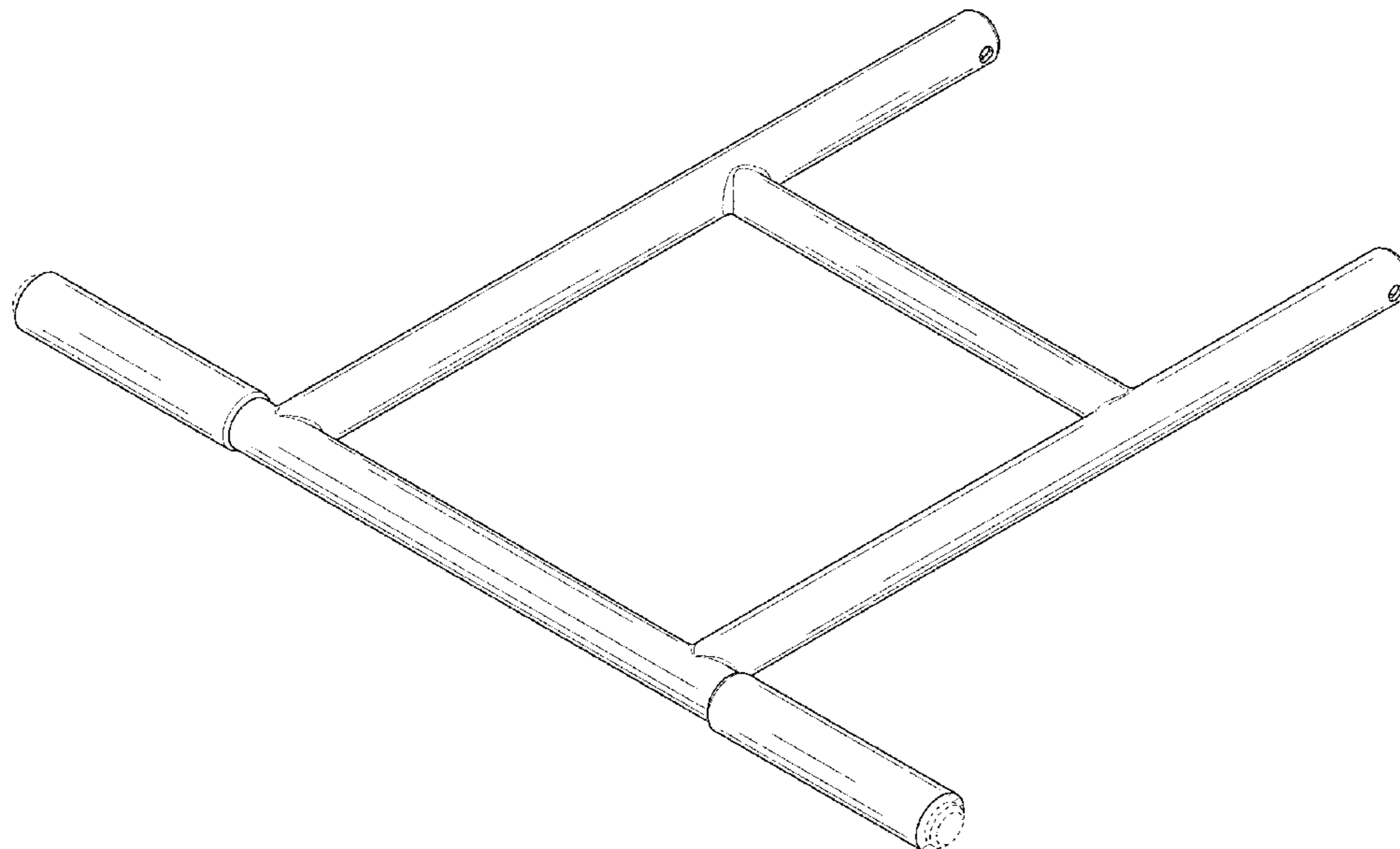
U.S. PATENT DOCUMENTS

493,456 A 3/1893 Violet
1,469,196 A 9/1923 Strange
3,591,194 A 7/1971 Vega
3,666,134 A 5/1972 Rauch
D232,798 S * 9/1974 Roche D7/605
4,035,009 A 7/1977 Jacobs
4,724,681 A 2/1988 Bartholomew et al.
4,759,560 A 7/1988 Virgulti
4,846,493 A 7/1989 Mason
4,873,847 A 10/1989 Bradshaw
4,932,677 A 6/1990 Shustack
4,976,448 A 12/1990 Wickersham
4,987,639 A 1/1991 Bauley et al.
5,044,513 A 9/1991 Van Berne

DESCRIPTION

FIG. 1 is a front perspective view of a handle showing my new design;
FIG. 2 is a top plan view thereof, the bottom plan view is a mirror image of the top plan view;
FIG. 3 is a rear view thereof;
FIG. 4 is a front view thereof; and,
FIG. 5 is a right view thereof, the left view is a mirror image of the right view.
The broken lines are included for the purpose of illustrating portions of the handle that form no part of the claimed design.

1 Claim, 3 Drawing Sheets



(56)

References Cited

U.S. PATENT DOCUMENTS

5,953,931 A 9/1999 Brittain
 5,988,658 A 11/1999 Ritchie et al.
 6,153,857 A 11/2000 Gunnels
 6,305,185 B1 10/2001 Sloan
 6,311,991 B1 11/2001 Conrado et al.
 6,318,740 B1 11/2001 Nappo
 6,347,419 B1 2/2002 Kurtz
 6,364,329 B1 4/2002 Holub et al.
 6,394,325 B1 5/2002 Taylor
 6,446,988 B1 9/2002 Kho
 6,474,097 B2 11/2002 Treppedi et al.
 6,497,424 B2 12/2002 Gartner et al.
 6,558,301 B1 5/2003 Jackson
 D477,798 S * 7/2003 Bean D12/178
 6,634,659 B2 10/2003 Sanskrit
 6,895,778 B1 5/2005 Ackerman
 6,908,417 B2 6/2005 Jackson
 7,140,507 B2 11/2006 Maldonado et al.
 7,155,859 B1 1/2007 Brooks
 7,175,040 B2 2/2007 Lorenz et al.
 7,252,295 B2 8/2007 Blutworth
 7,284,763 B1 10/2007 King
 7,306,243 B2 12/2007 Van Horn et al.
 7,360,380 B2 4/2008 Van Handel
 7,588,156 B2 9/2009 Lorenz et al.
 7,601,101 B2 10/2009 Jackson et al.
 7,714,708 B2 5/2010 Brackmann et al.
 7,717,440 B1 5/2010 Baba
 7,854,321 B2 12/2010 Twig et al.
 7,909,148 B1 3/2011 Miller et al.
 8,256,242 B1 9/2012 Evans
 D725,455 S * 3/2015 Carlini D8/303
 9,132,598 B2 9/2015 Ernst
 9,199,782 B1 12/2015 Cliatt
 9,310,118 B2 4/2016 Zavitsanos
 9,700,110 B2 7/2017 Lee et al.
 9,738,295 B1 * 8/2017 Horowitz B62B 1/12
 D797,519 S * 9/2017 Devenny D7/605
 9,835,367 B2 12/2017 Vanderberg et al.
 D811,171 S 2/2018 Golic et al.
 D815,919 S 4/2018 DeFrancia
 D815,921 S 4/2018 Moffett, III et al.

D816,423 S 5/2018 DeFrancia
 10,022,856 B2 7/2018 Bensman et al.
 2002/0096844 A1 7/2002 Clegg
 2003/0168371 A1 9/2003 Weimer
 2004/0002411 A1 1/2004 Jackson
 2004/0238400 A1 12/2004 Knutsson et al.
 2005/0232747 A1 10/2005 Brackmann et al.
 2006/0052220 A1 3/2006 Jackson et al.
 2006/0060580 A1 3/2006 Lorenz et al.
 2006/0162403 A1 7/2006 Handel
 2007/0001409 A1 1/2007 Kaplan
 2008/0156671 A1 7/2008 Jansson
 2008/0179847 A1 7/2008 DeFrancia
 2009/0127807 A1 5/2009 Cornwell
 2009/0212535 A1 * 8/2009 Darling, III A61G 1/013
 280/651
 2010/0000890 A1 1/2010 Belden et al.
 2010/0000893 A1 1/2010 Twig et al.
 2010/0275641 A1 11/2010 Manner et al.
 2011/0197625 A1 8/2011 Urban et al.
 2011/0226003 A1 9/2011 Chaney et al.
 2012/0013091 A1 1/2012 Giese
 2012/0104013 A1 5/2012 Cowie
 2013/0056478 A1 3/2013 Canales, Jr.
 2015/0369529 A1 12/2015 Monroe
 2015/0375917 A1 12/2015 Lee et al.
 2016/0082891 A9 3/2016 Parks
 2016/0096576 A1 * 4/2016 Gotfrid B62K 15/006
 280/641
 2016/0166070 A1 6/2016 Golic
 2017/0113856 A1 4/2017 Hollis et al.
 2017/0129097 A1 5/2017 Engvall et al.
 2017/0129523 A1 * 5/2017 Hane A61H 3/04
 2017/0370629 A1 12/2017 Fire
 2018/0015938 A1 1/2018 DeFrancia
 2018/0127007 A1 5/2018 Kravchenko
 2018/0141718 A1 5/2018 Ahlstrom et al.
 2018/0141739 A1 5/2018 Hengen
 2018/0151017 A1 * 5/2018 Costa G07D 13/00
 2018/0160783 A1 * 6/2018 Lee A45C 11/24
 2018/0274837 A1 9/2018 Christensen
 2018/0312294 A1 11/2018 Wang et al.
 2019/0226742 A1 * 7/2019 Poirier F25D 3/06

* cited by examiner

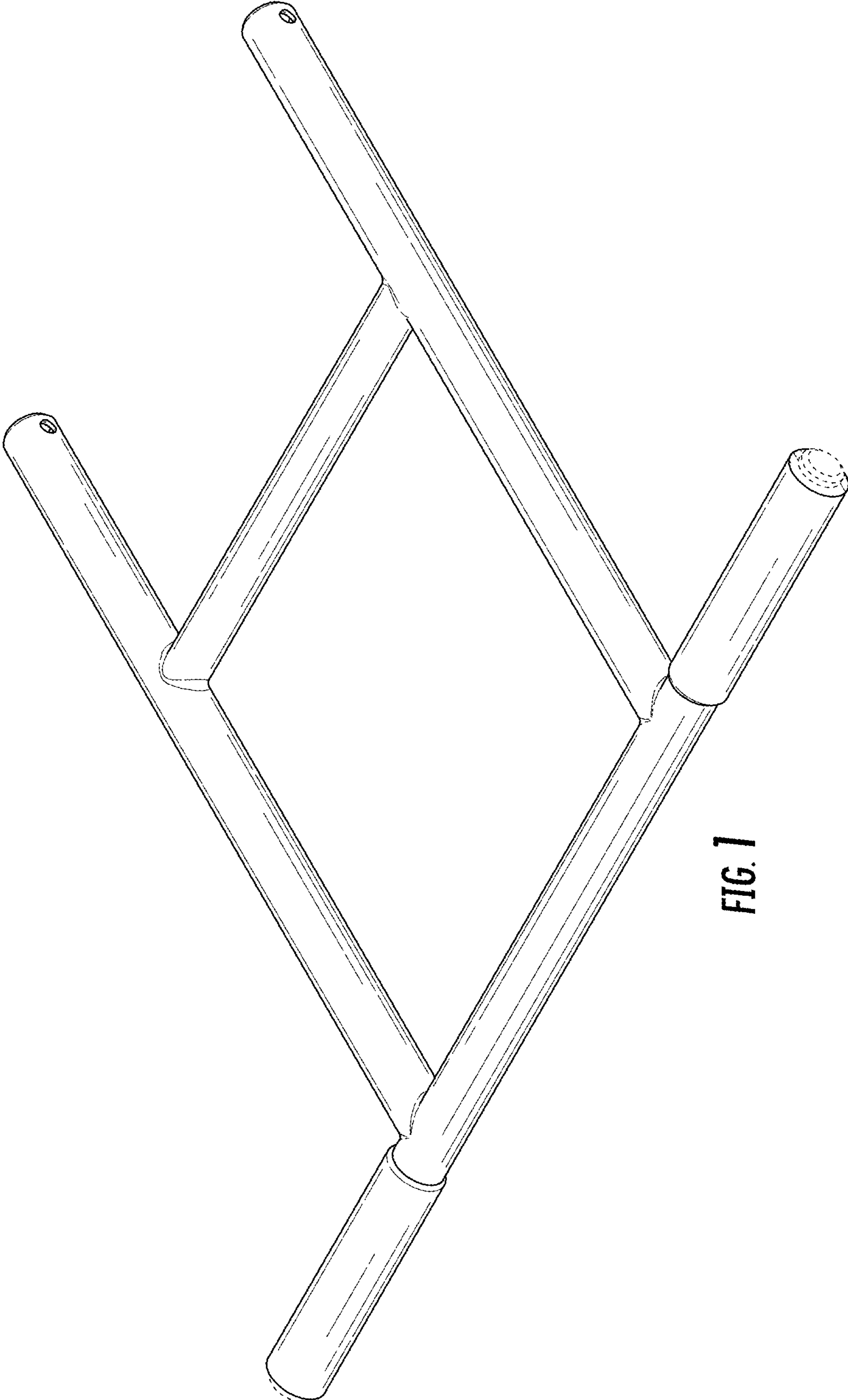


FIG. 1

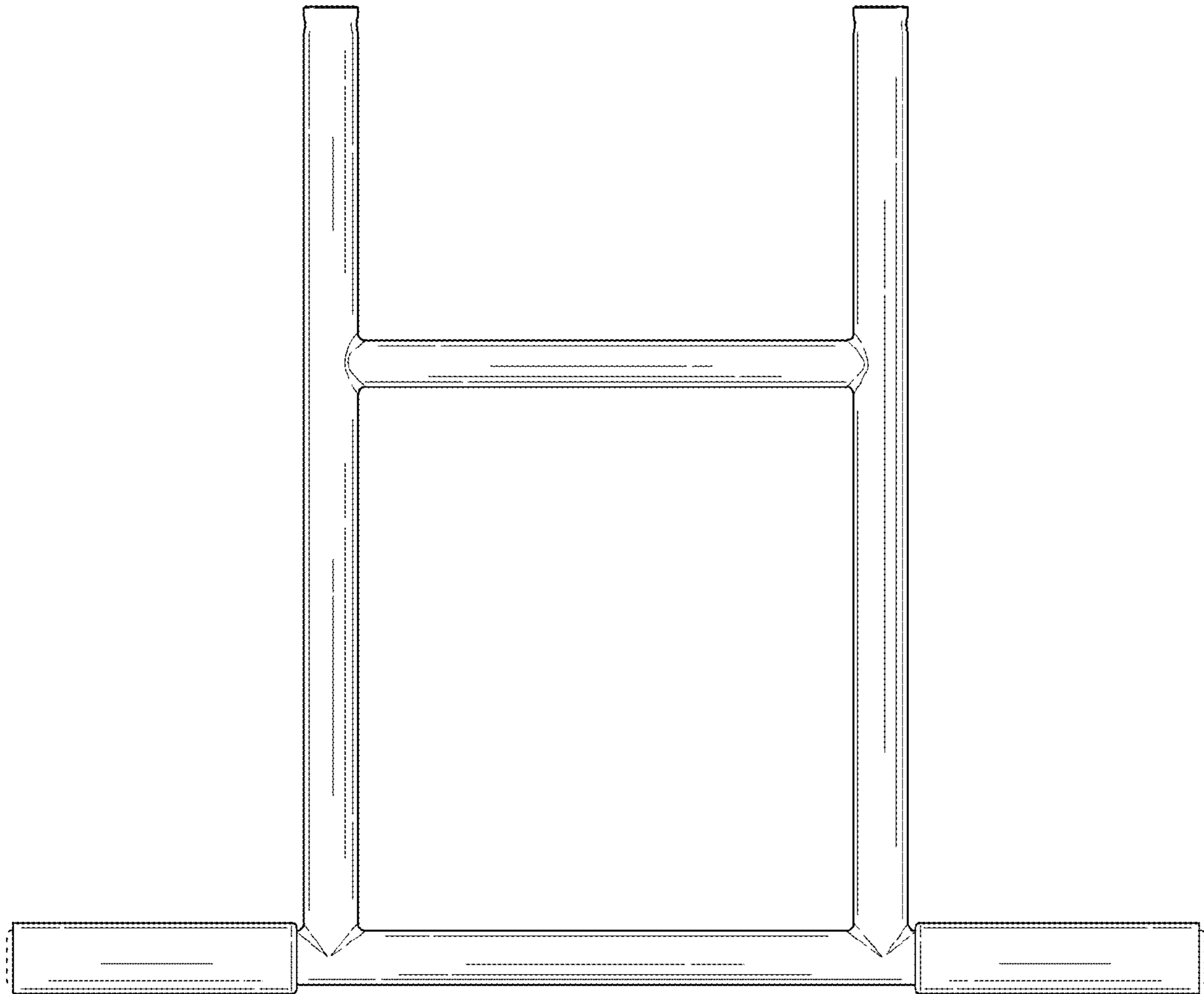


FIG. 2

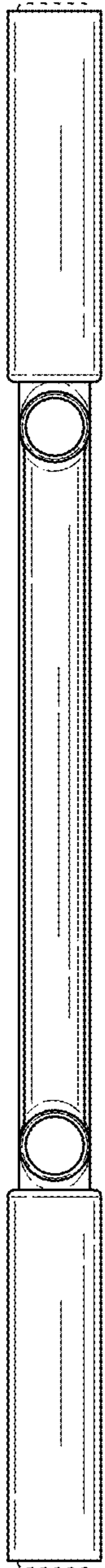


FIG. 3

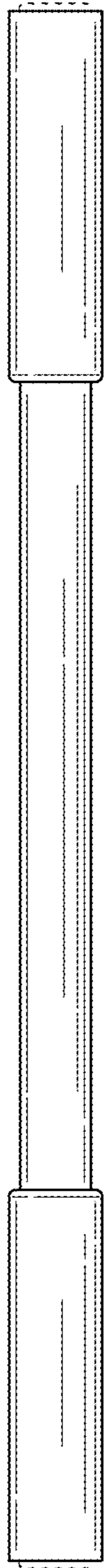


FIG. 4

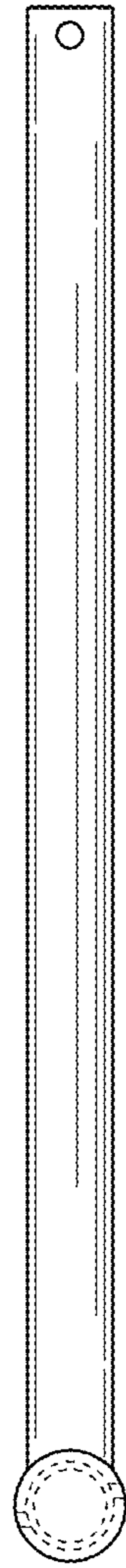


FIG. 5