



US00D881672S

(12) **United States Design Patent**  
**Christodoulou**

(10) **Patent No.:** **US D881,672 S**  
(45) **Date of Patent:** **\*\* Apr. 21, 2020**

(54) **AUTOMOBILE HANDLE**  
(71) Applicant: **Nicholas Christodoulou**, Skokie, IL  
(US)  
(72) Inventor: **Nicholas Christodoulou**, Skokie, IL  
(US)  
(\*\*) Term: **15 Years**

8,544,937 B2 \* 10/2013 Orlowsky ..... B60N 3/026  
296/187.05  
8,579,339 B2 \* 11/2013 Abe ..... E05B 77/44  
292/216  
8,943,752 B2 \* 2/2015 Thomas ..... E05B 85/10  
49/394

(Continued)

*Primary Examiner* — Brett Miller  
*Assistant Examiner* — Yolanda Robinson  
(74) *Attorney, Agent, or Firm* — Richards Patent Law  
P.C.

(21) Appl. No.: **29/607,647**

(22) Filed: **Jun. 15, 2017**

(57) **CLAIM**

The ornamental design for an automobile handle, as shown  
and described.

(51) **LOC (12) Cl.** ..... **08-06**  
(52) **U.S. Cl.**  
USPC ..... **D8/302**

**DESCRIPTION**

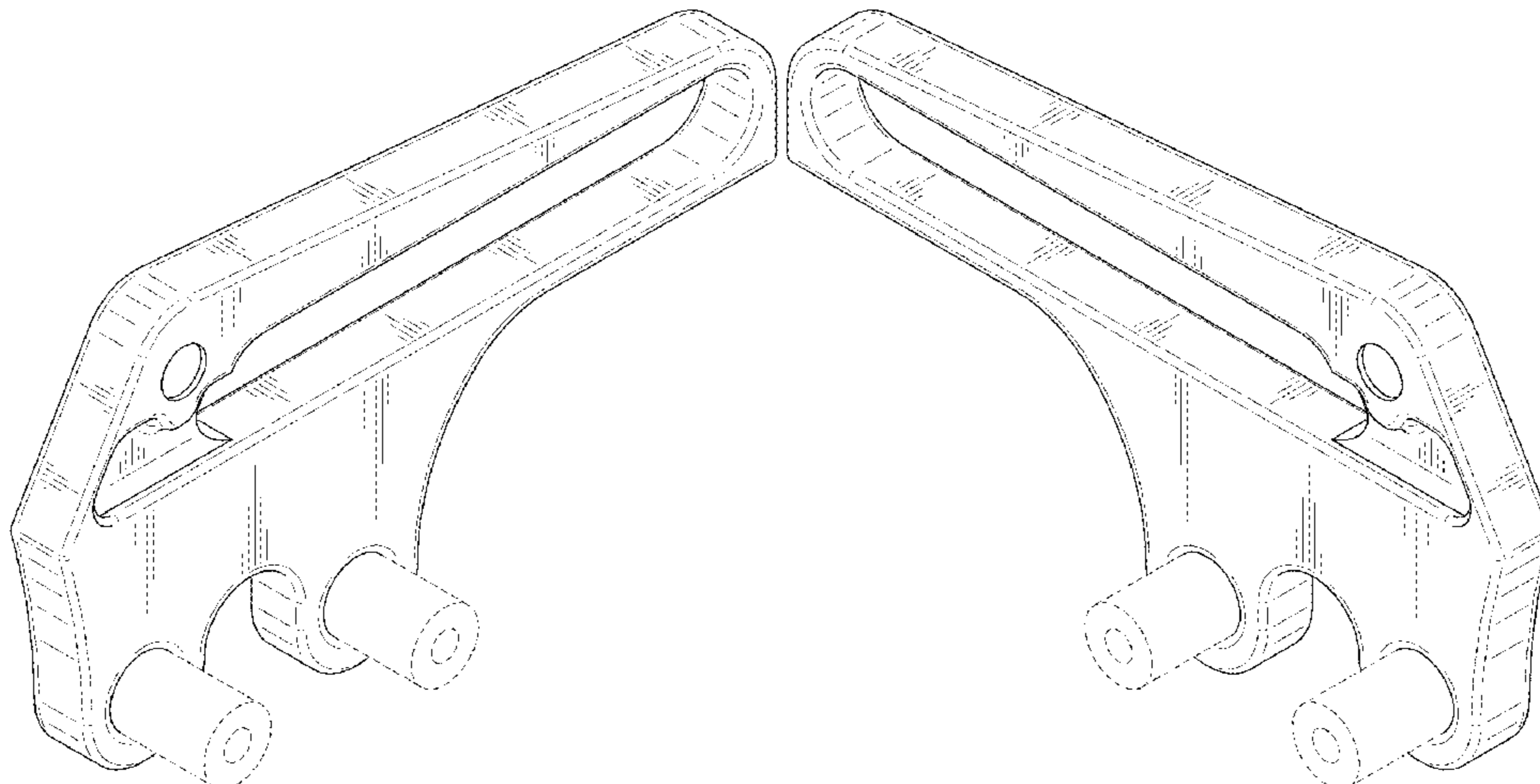
(58) **Field of Classification Search**  
USPC ..... D12/187–189, 190, 193, 195, 196, 414;  
D8/300, 301, 302, 315, 316, 318, 319,  
D8/320, 350  
CPC . E05B 3/00; E05B 47/00; E05B 49/00; E05B  
77/02; E05B 77/04; E05B 81/32; E05B  
81/76; E05B 81/78; E05B 85/16; Y10T  
292/57  
See application file for complete search history.

FIG. 1 is a rear-left side isometric view of a driver's side  
embodiment of an automobile handle showing my new  
design;  
FIG. 2 is an inverted, relative to FIG. 1, isometric view  
thereof;  
FIG. 3 is a left view thereof;  
FIG. 4 is a right view thereof;  
FIG. 5 is a top view thereof;  
FIG. 6 is a bottom view thereof;  
FIG. 7 is a back view thereof;  
FIG. 8 is a front view thereof;  
FIG. 9 is a rear-right side isometric view of a passenger's  
side embodiment of an automobile handle showing my new  
design;  
FIG. 10 is an inverted, relative to FIG. 9, isometric view  
thereof;  
FIG. 11 is a right view thereof;  
FIG. 12 is a left view thereof;  
FIG. 13 is a top view thereof;  
FIG. 14 is a bottom view thereof;  
FIG. 15 is a front view thereof; and,  
FIG. 16 is a back view thereof.

(56) **References Cited**  
U.S. PATENT DOCUMENTS

6,102,454 A \* 8/2000 Weyerstall ..... E05B 81/14  
292/201  
D491,039 S \* 6/2004 Denys ..... D8/301  
D521,351 S \* 5/2006 Alchin ..... D8/301  
7,224,259 B2 \* 5/2007 Belmont ..... E05B 81/06  
292/201  
8,235,451 B2 \* 8/2012 Jordan ..... E05B 77/02  
292/259 A  
8,347,667 B2 \* 1/2013 Bacon ..... E05B 5/00  
292/216  
8,469,411 B2 \* 6/2013 Costigan ..... E05B 85/16  
292/336.3

(Continued)



Those portions of the figures that are presented in broken lines merely illustrate the environment of the design and are not part of the claimed design.

**1 Claim, 6 Drawing Sheets**

(56) **References Cited**

U.S. PATENT DOCUMENTS

9,175,505 B2 \* 11/2015 Hirukawa ..... E05B 85/18  
D834,480 S \* 11/2018 Manzoni ..... D12/195

\* cited by examiner

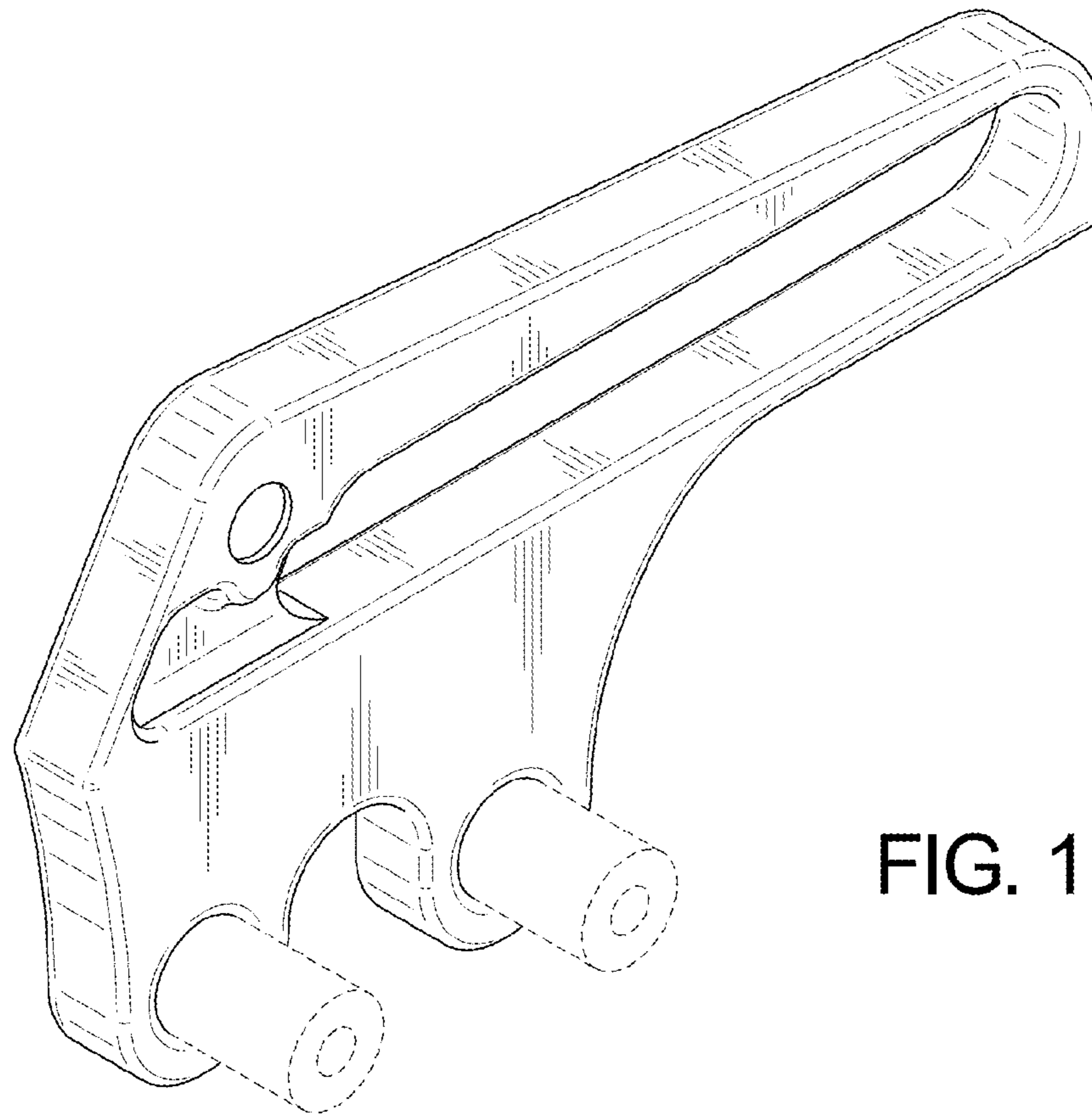


FIG. 1

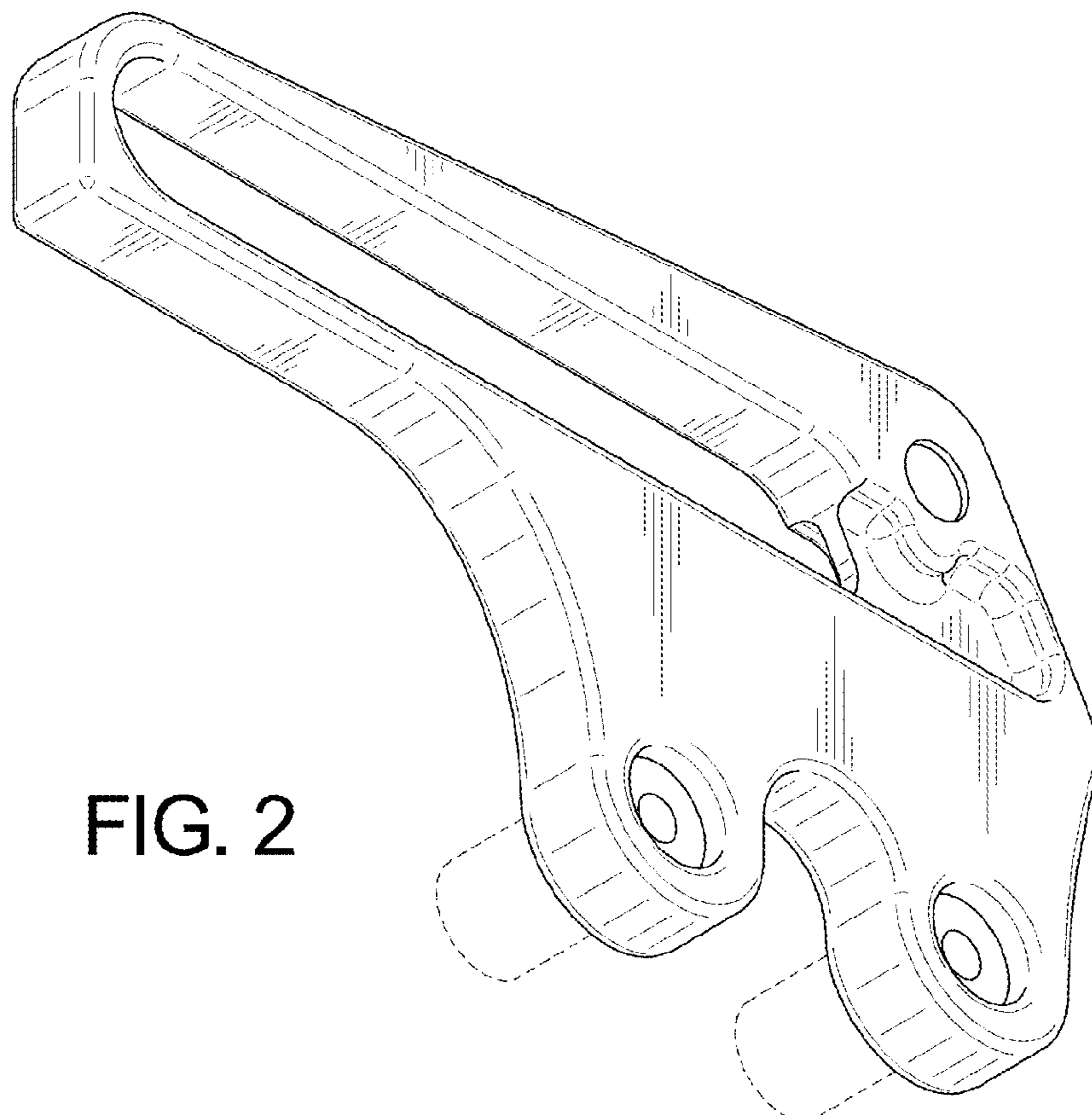


FIG. 2

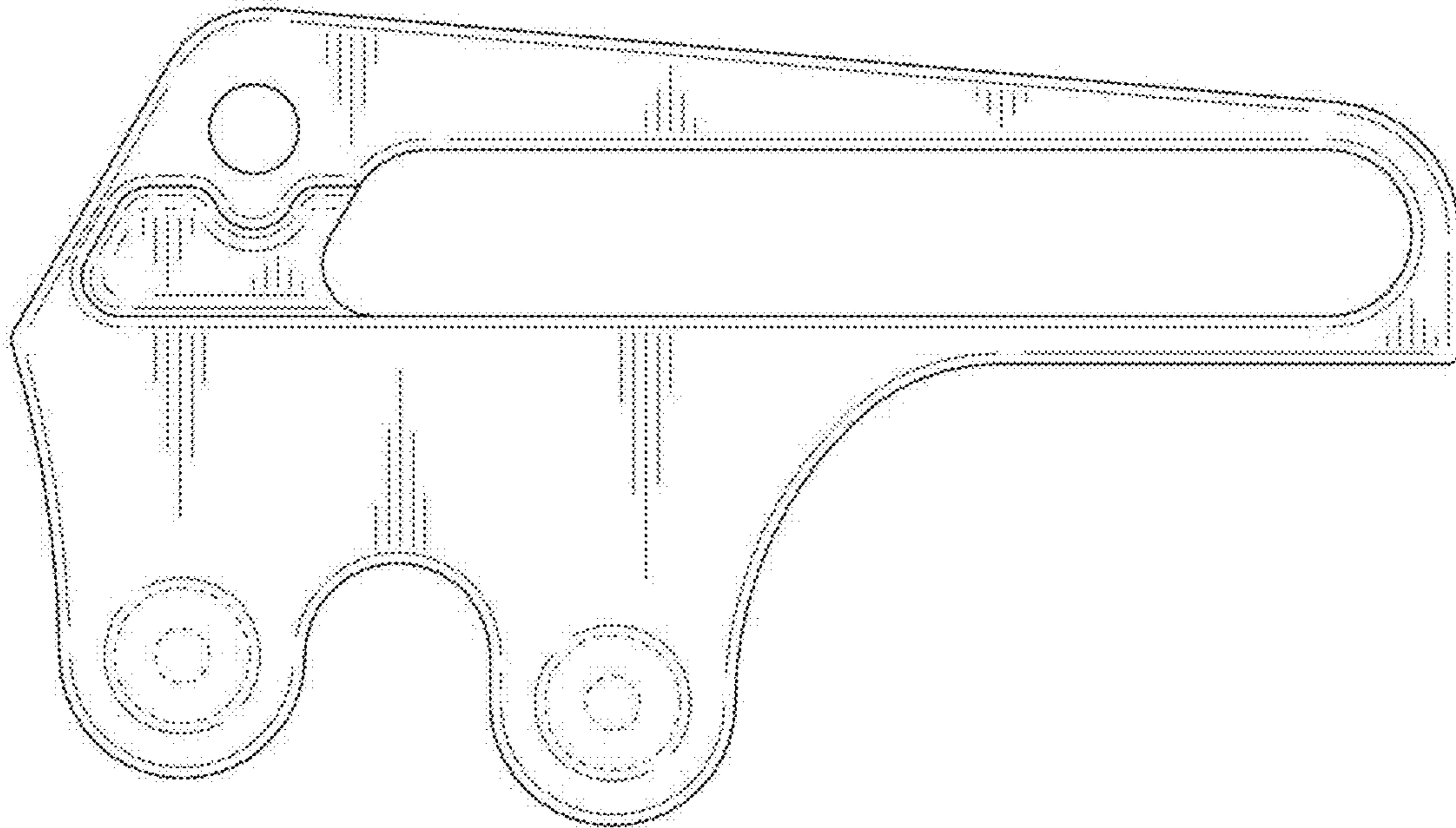


FIG. 3

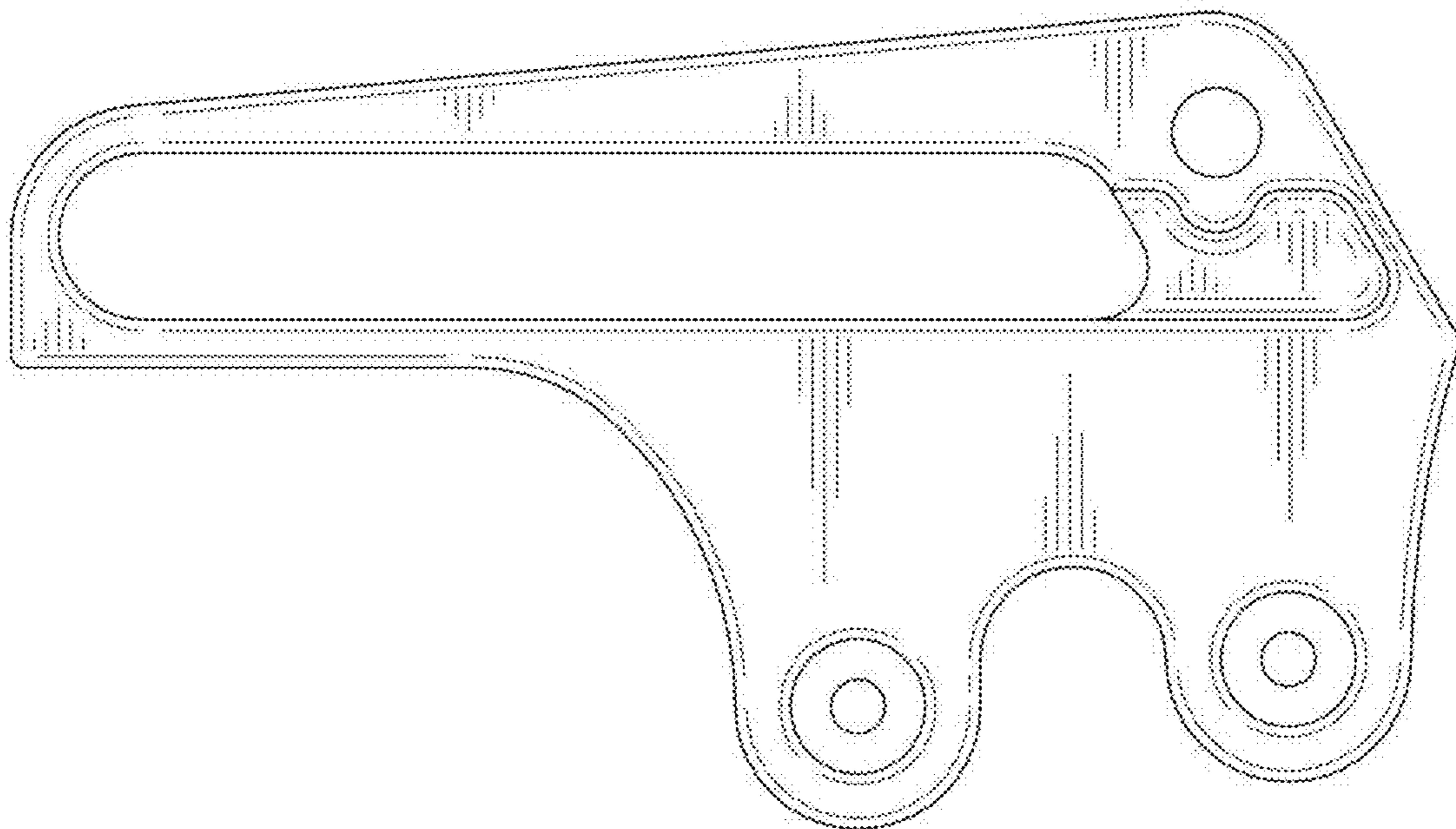


FIG. 4

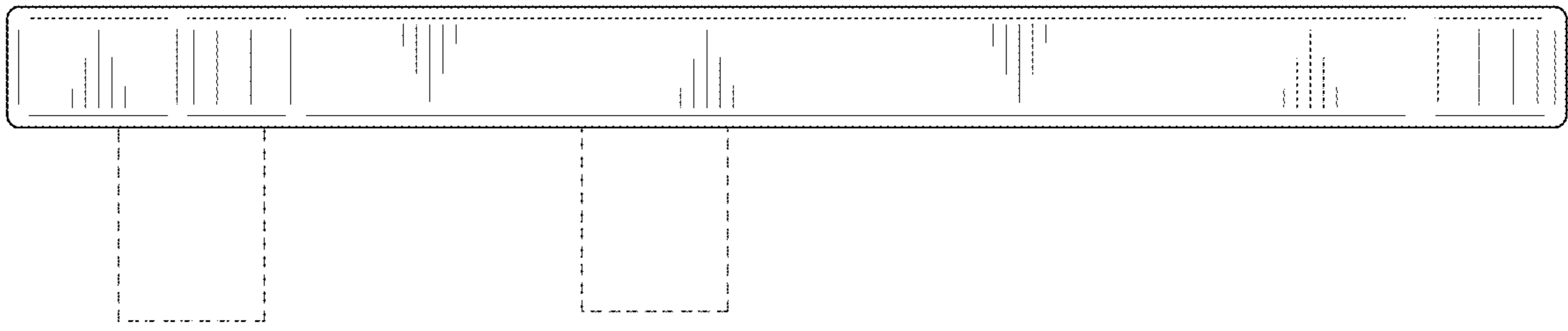


FIG. 5

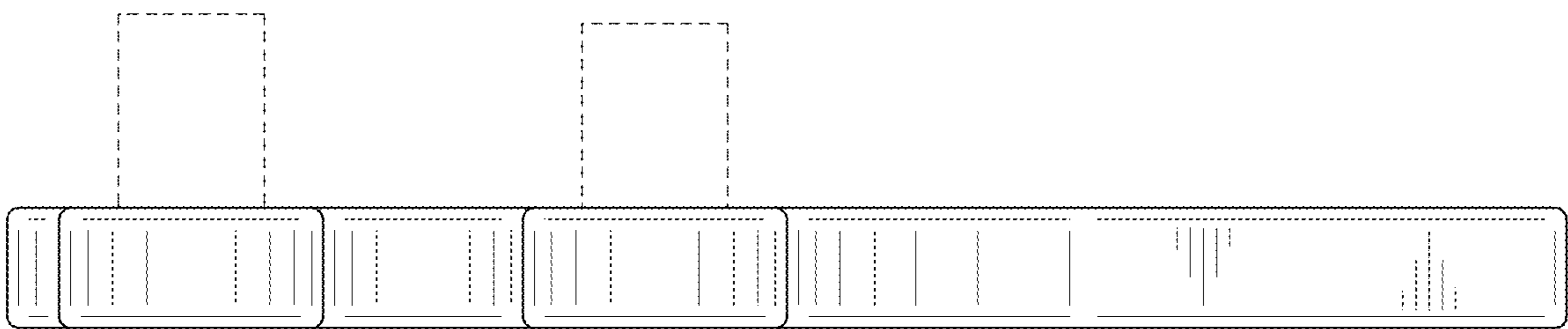


FIG. 6

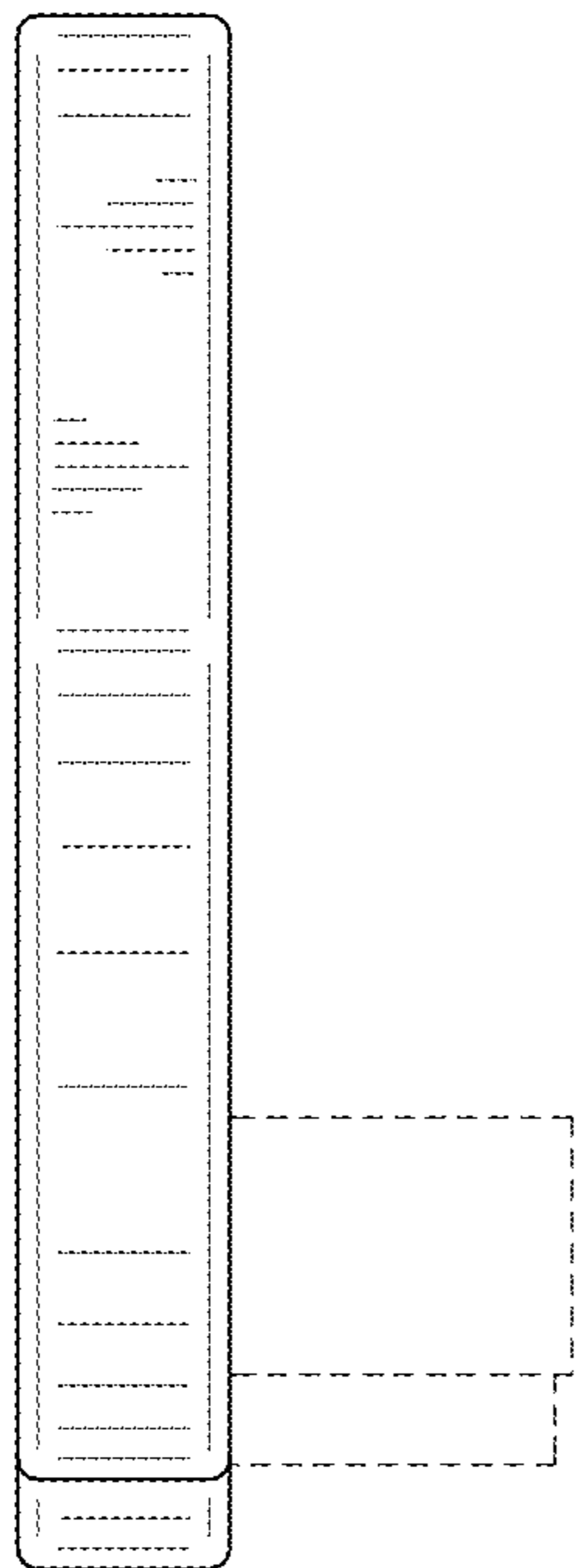


FIG. 7

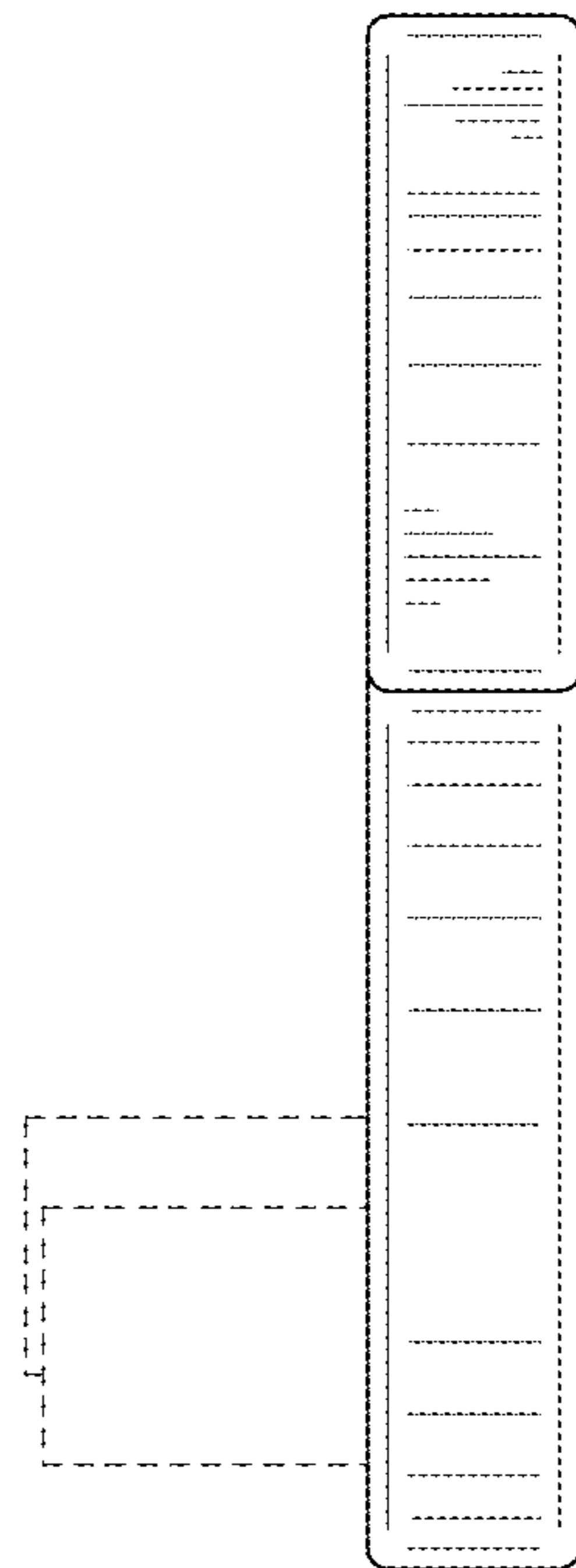


FIG. 8

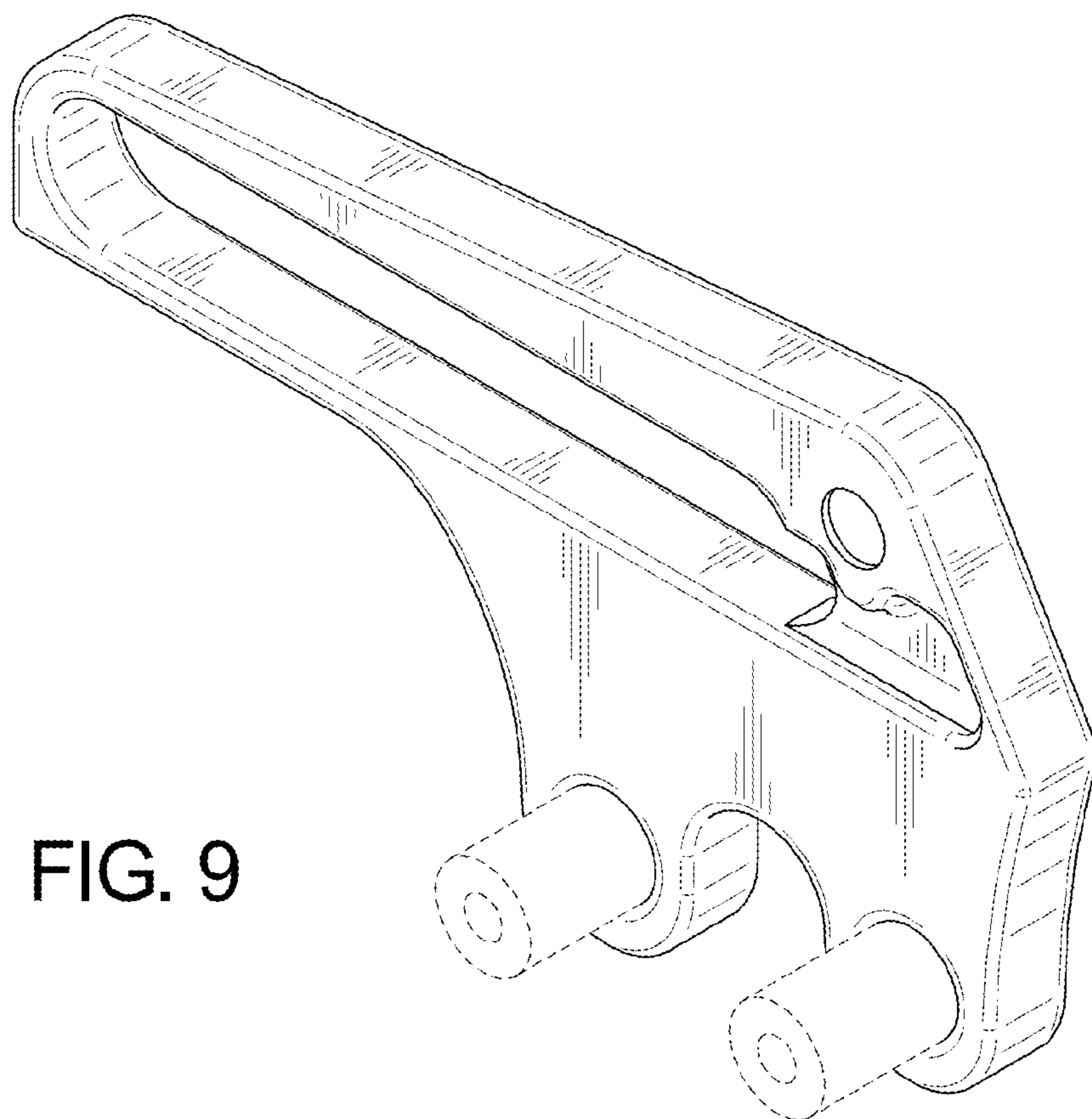


FIG. 9

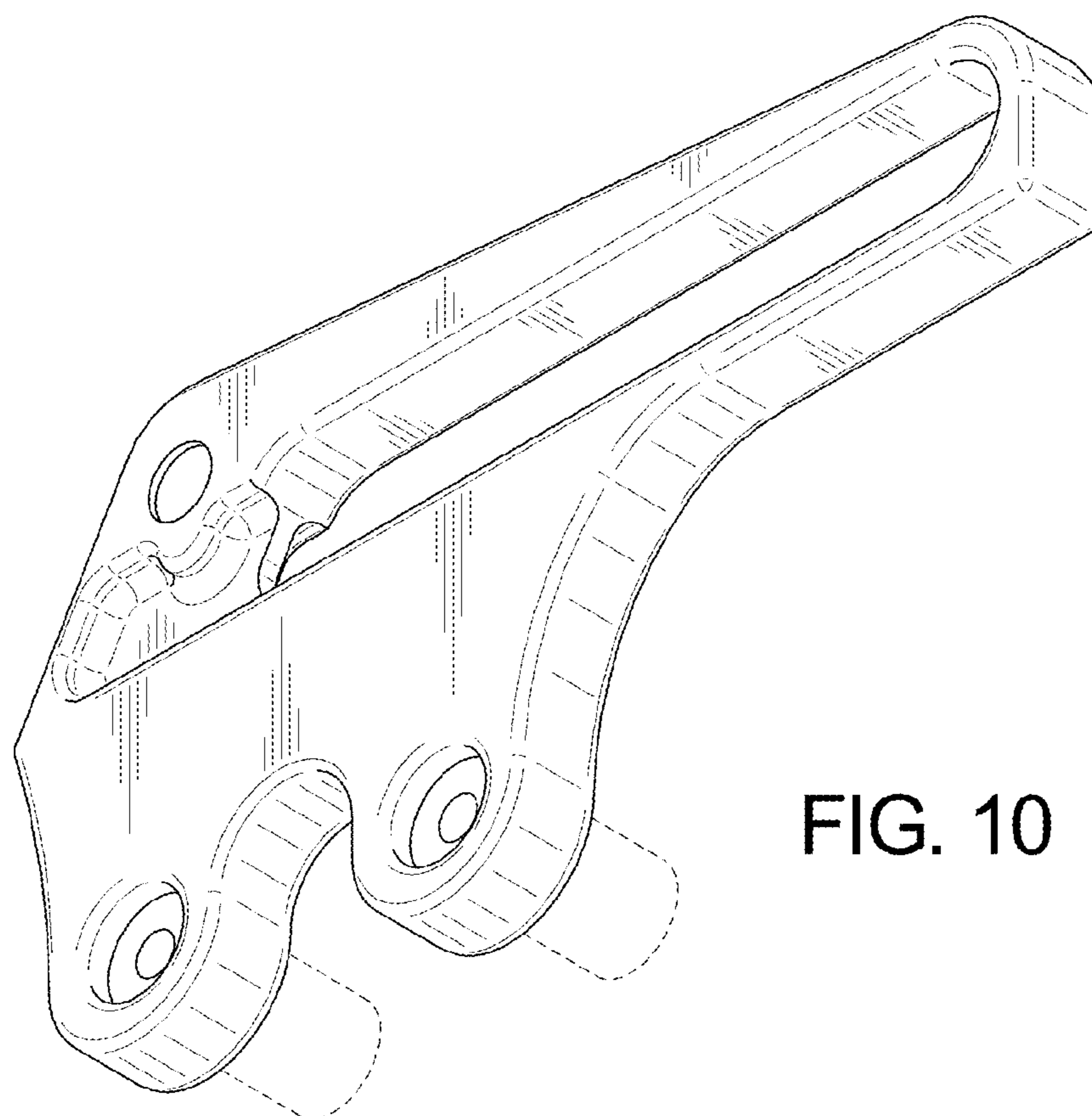


FIG. 10

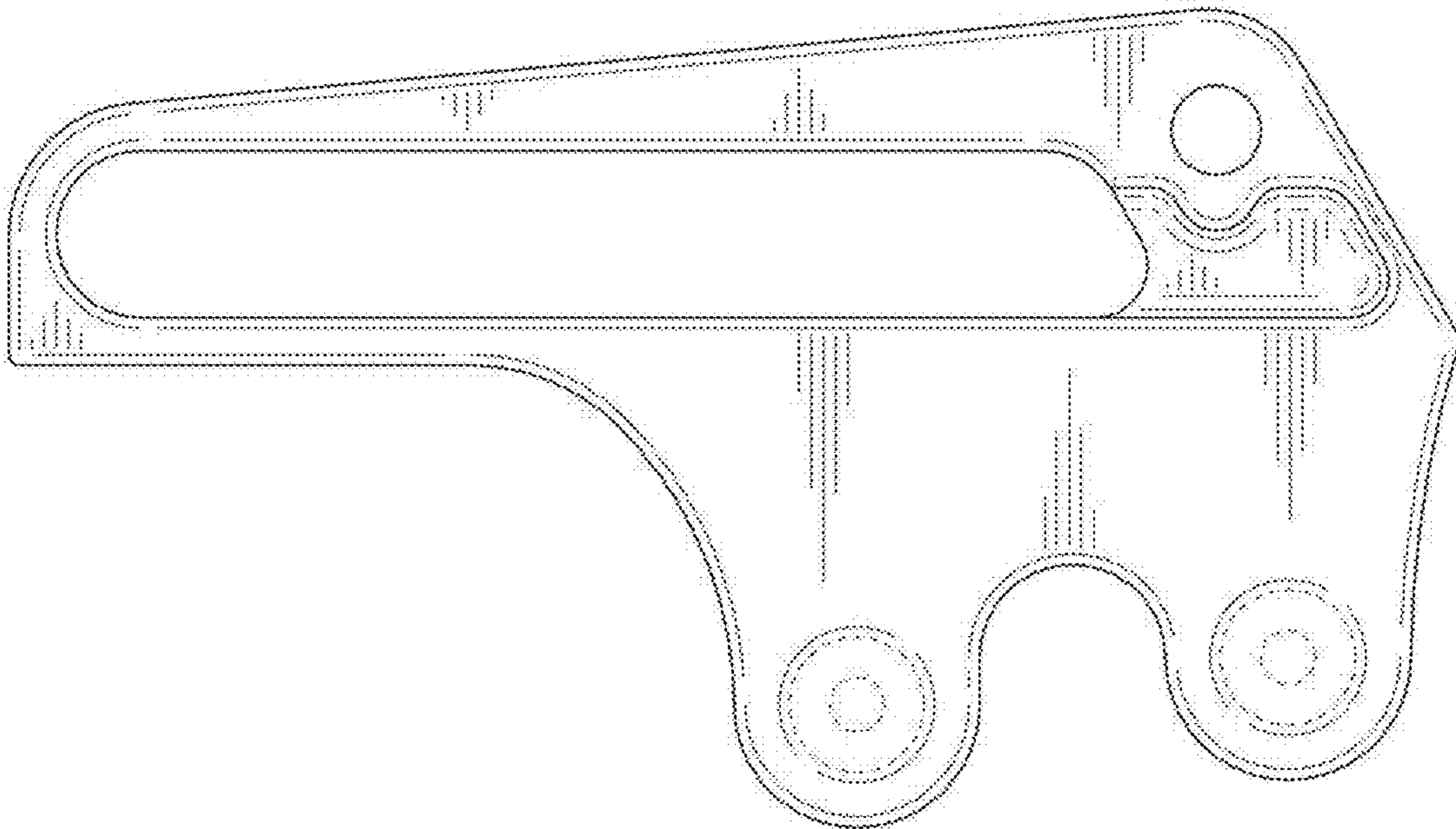


FIG. 11

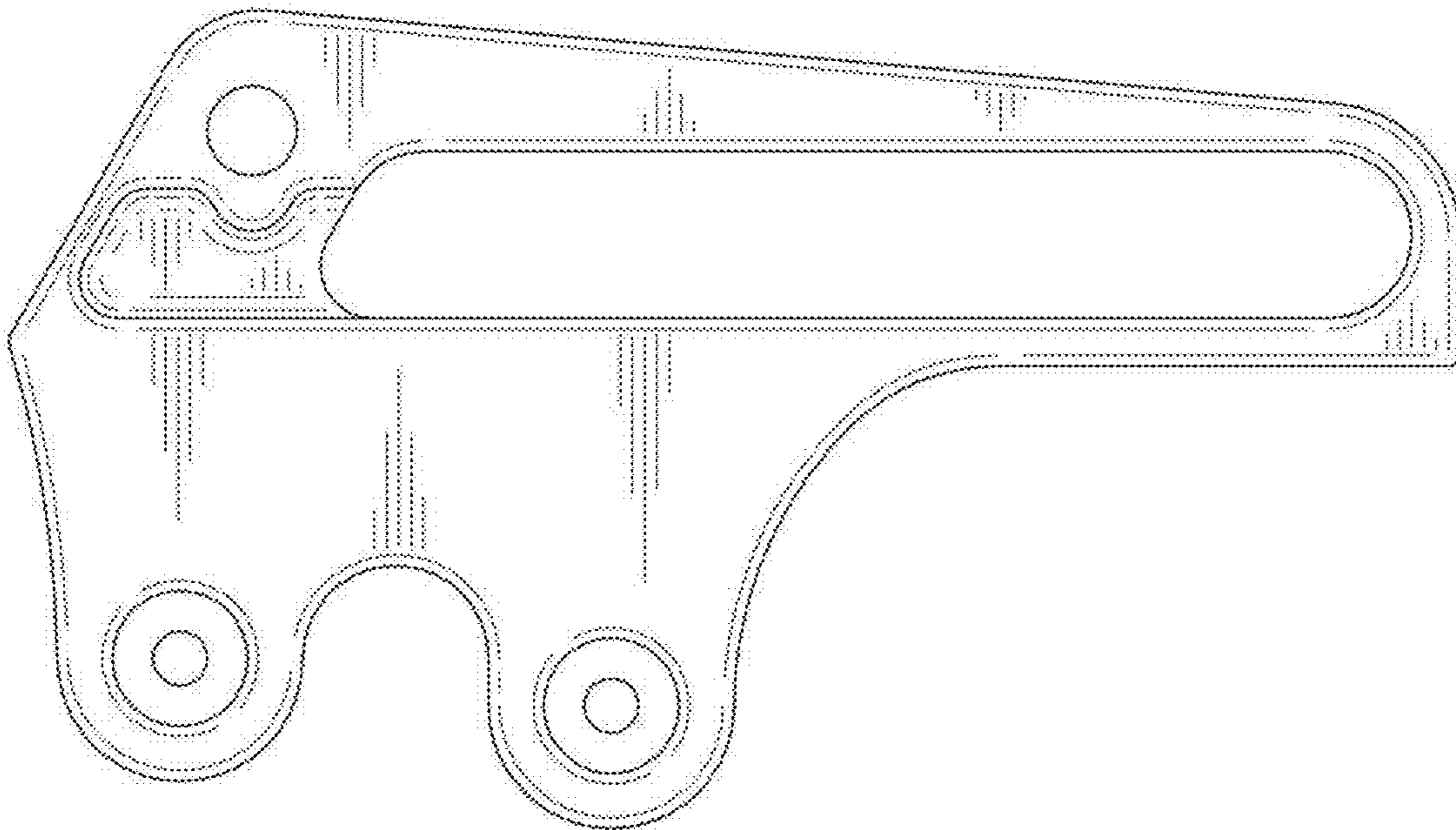


FIG. 12

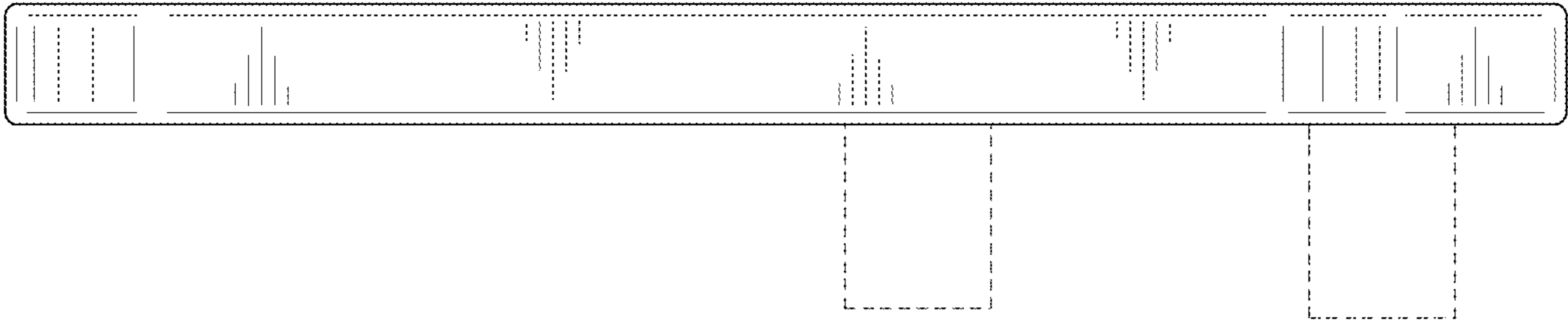


FIG. 13

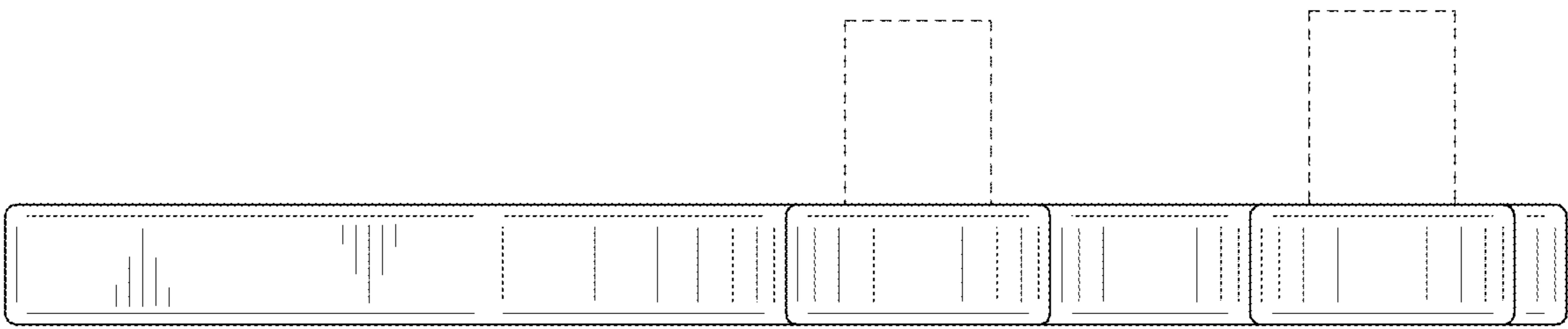


FIG. 14

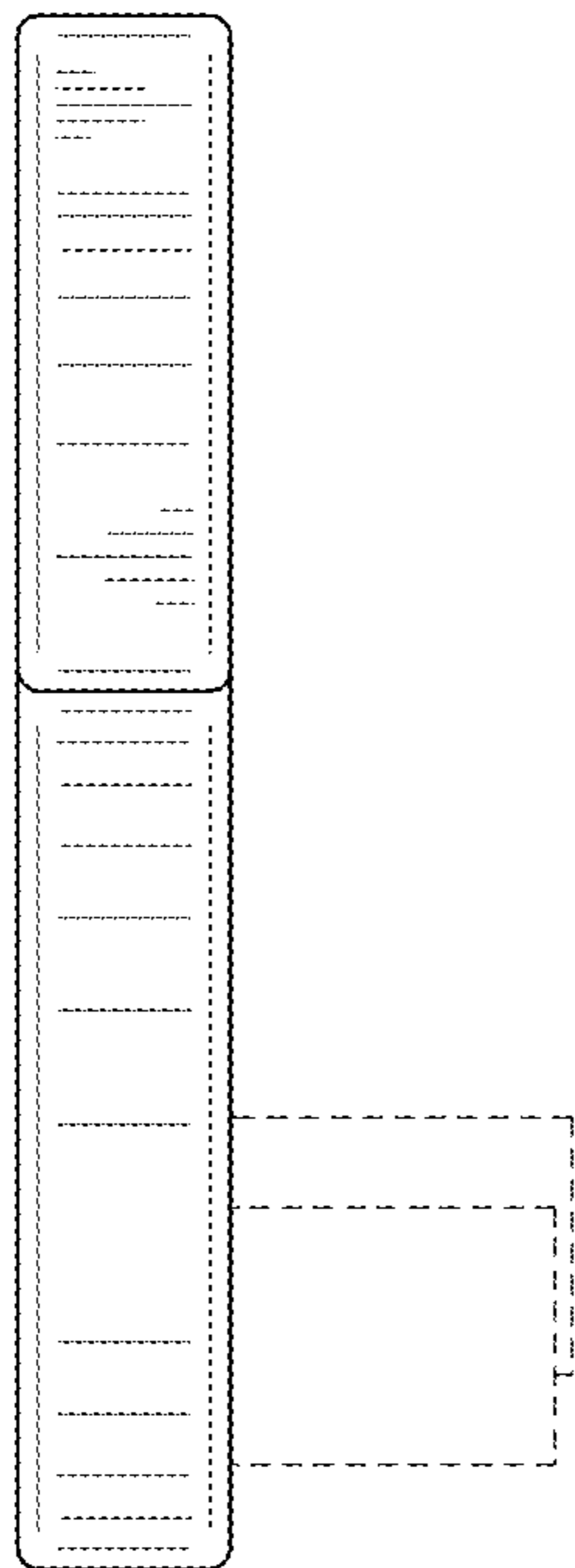


FIG. 15

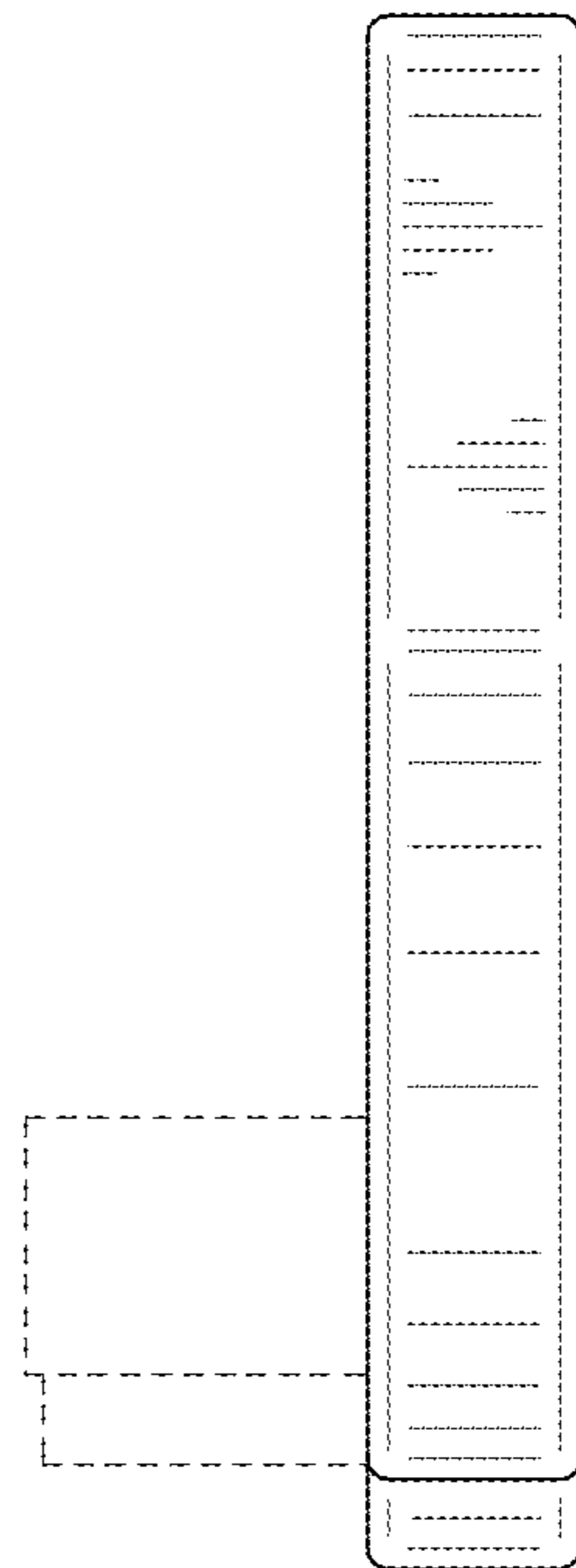


FIG. 16