



US00D881669S

(12) **United States Design Patent** (10) **Patent No.:** **US D881,669 S**  
**Yao** (45) **Date of Patent:** **\*\* Apr. 21, 2020**

(54) **SQUEEZE KNIFE** 8,307,556 B2 \* 11/2012 Davis ..... B26B 5/003  
30/162  
(71) Applicant: **Stanley Black & Decker, Inc.**, New D712,228 S \* 9/2014 Rohrbach ..... D8/99  
Britain, CT (US) D743,235 S \* 11/2015 Rohrbach ..... D8/99  
9,908,247 B2 \* 3/2018 Herlitz ..... B26B 1/08  
(72) Inventor: **Xiyin Yao**, Middletown, CT (US) 10,245,736 B2 \* 4/2019 Huang ..... B26B 5/003  
2004/0237312 A1 \* 12/2004 Hernandez ..... B26B 5/001  
30/162  
(73) Assignee: **Stanley Black & Decker, Inc.**, New 2007/0209209 A1 \* 9/2007 Davis ..... A45F 5/02  
Britain, CT (US) 30/162

(\*\*) Term: **15 Years**

(21) Appl. No.: **29/659,696**

(22) Filed: **Aug. 10, 2018**

(30) **Foreign Application Priority Data**

Feb. 13, 2018 (CN) ..... 2018 3 0069287

(51) **LOC (12) Cl.** ..... **08-03**

(52) **U.S. Cl.**  
USPC ..... **D8/99**

(58) **Field of Classification Search**  
USPC ..... D8/98, 99, 100, 105, 107; D22/118  
CPC .. B26B 1/08; B26B 5/00; B26B 5/001; B26B  
5/002; B26B 5/003; B26B 5/006; B26B  
1/00; B26B 1/04; B26B 1/10; B26B  
11/00  
See application file for complete search history.

(56) **References Cited**

**U.S. PATENT DOCUMENTS**

4,683,656 A \* 8/1987 Peyrot ..... B26B 5/003  
30/151  
5,890,294 A \* 4/1999 Keklak ..... B26B 5/001  
30/125  
D492,179 S \* 6/2004 Hernandez ..... D8/98  
D529,780 S \* 10/2006 Davis ..... D8/99  
7,322,110 B2 \* 1/2008 Hernandez ..... B26B 5/001  
30/162  
8,220,160 B2 \* 7/2012 Davis ..... A45F 5/02  
30/162

**FOREIGN PATENT DOCUMENTS**

CN 304557562 3/2018  
CN 304557563 3/2018  
CN 304557564 3/2018

(Continued)

*Primary Examiner* — Philip S Hyder

(74) *Attorney, Agent, or Firm* — Gabriel A. Haboubi

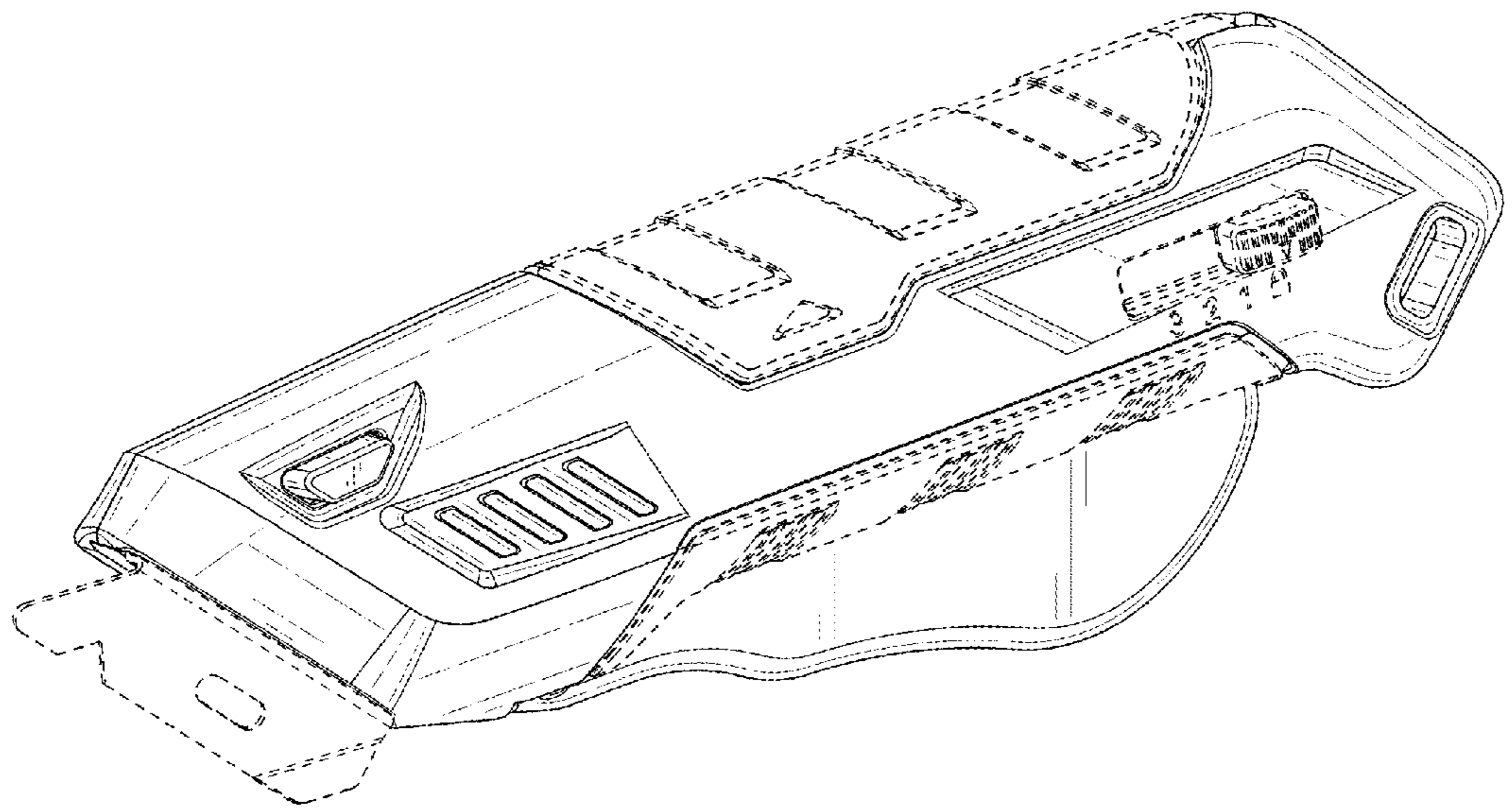
(57) **CLAIM**

The ornamental design for a squeeze knife, as shown and described.

**DESCRIPTION**

FIG. 1 is a perspective view of my new design.  
FIG. 2 is a front view thereof.  
FIG. 3 is a back view thereof.  
FIG. 4 is a right side view thereof.  
FIG. 5 is a left side view thereof.  
FIG. 6 is a top view thereof; and,  
FIG. 7 is a bottom view thereof.  
While the illustrated embodiment depicts a right-handed squeeze knife, a left-handed squeeze knife is within the scope of this disclosure, and may be appreciated through a mirror image of each of the accompanying drawings.  
The broken lines depict portions of the squeeze knife in which the design is embodied that are not considered part of the claimed design.

**1 Claim, 5 Drawing Sheets**



(56)

**References Cited**

FOREIGN PATENT DOCUMENTS

CN	304557567	3/2018
CN	304557568	3/2018
CN	304557569	3/2018
CN	304557575	3/2018
CN	304557576	3/2018
CN	208215403 U	12/2018
CN	209633081 U	11/2019

\* cited by examiner

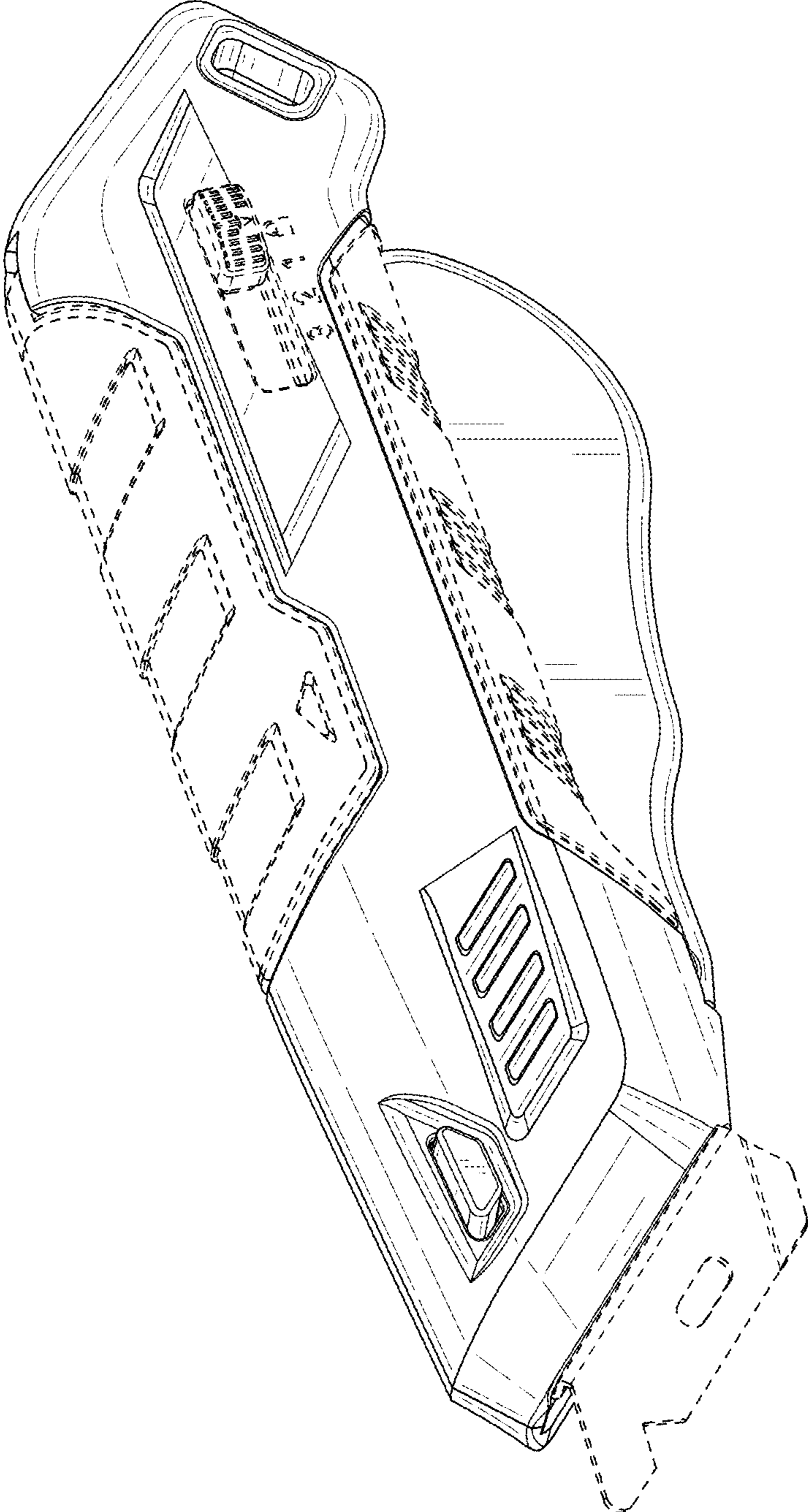


FIG. 1

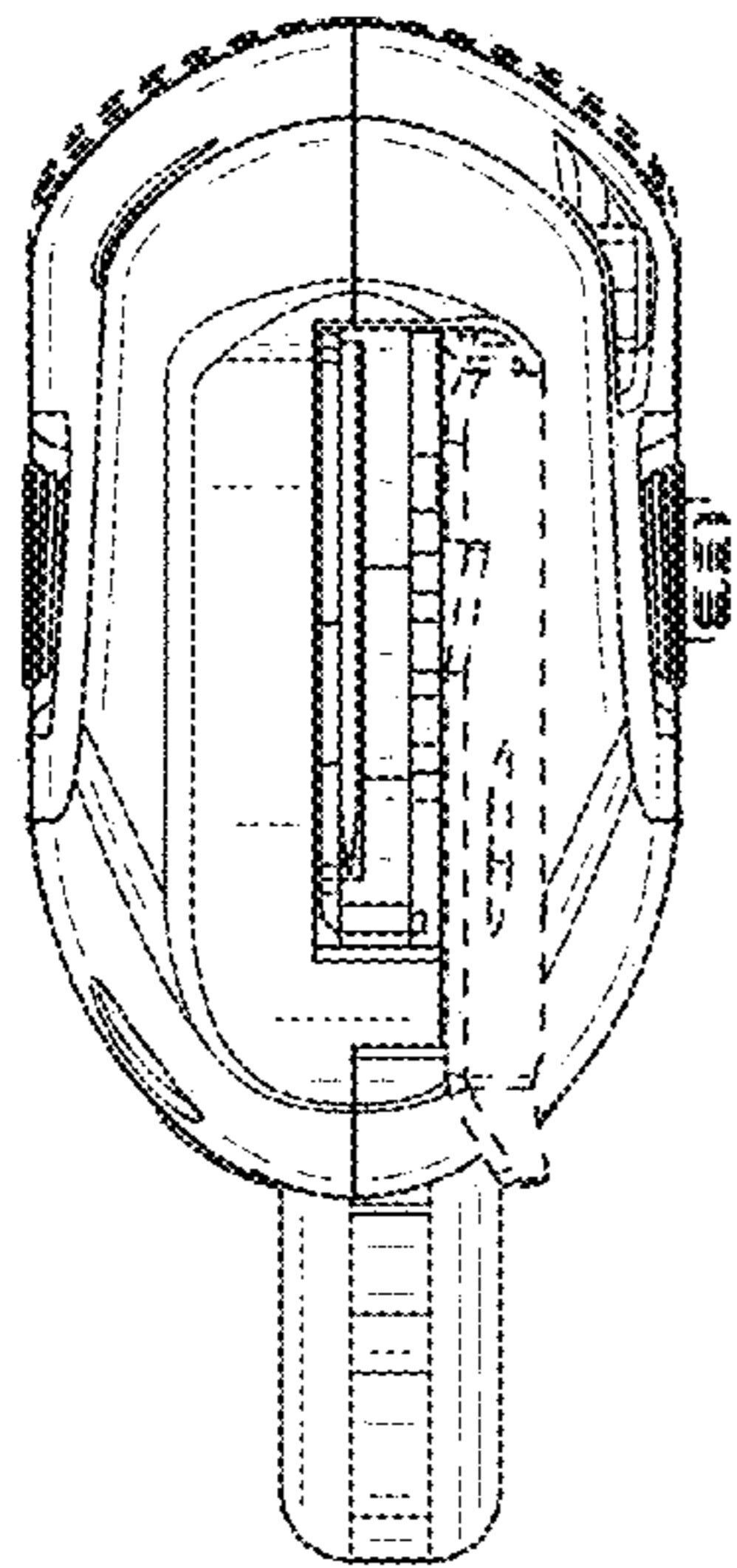


FIG. 2

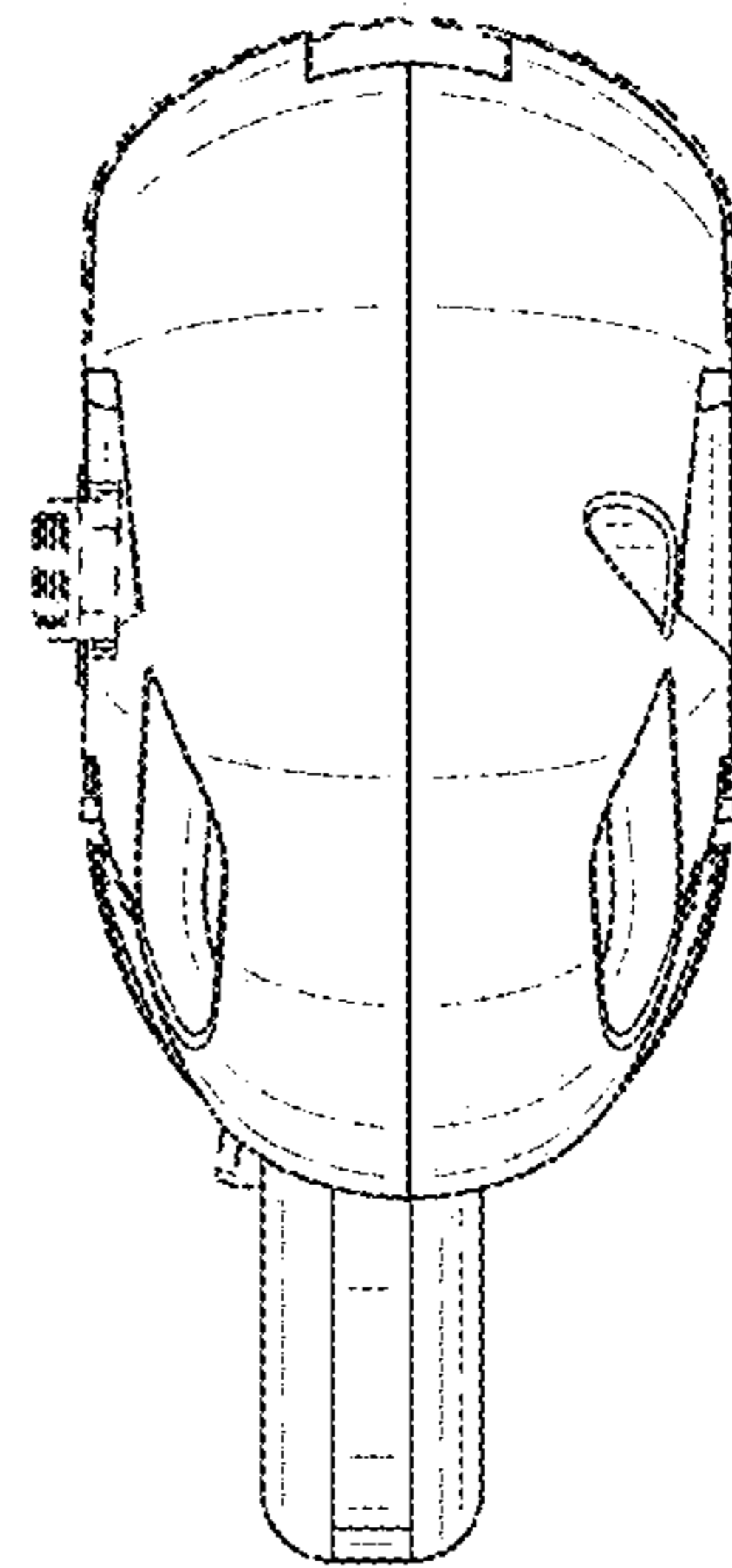


FIG. 3

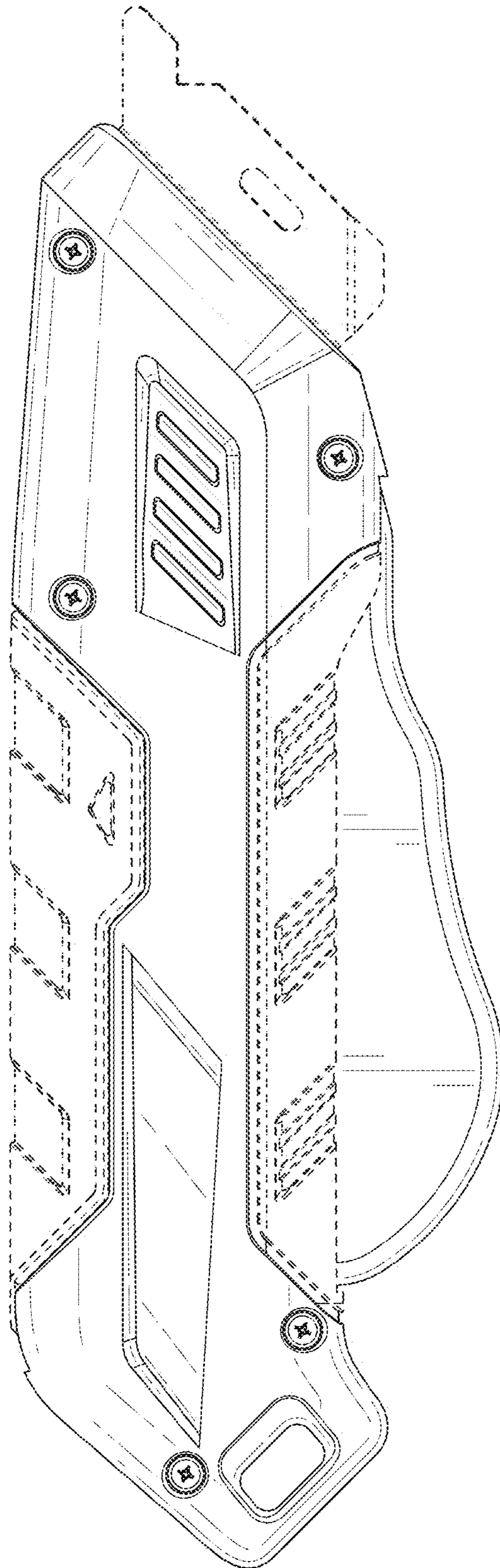


FIG. 4

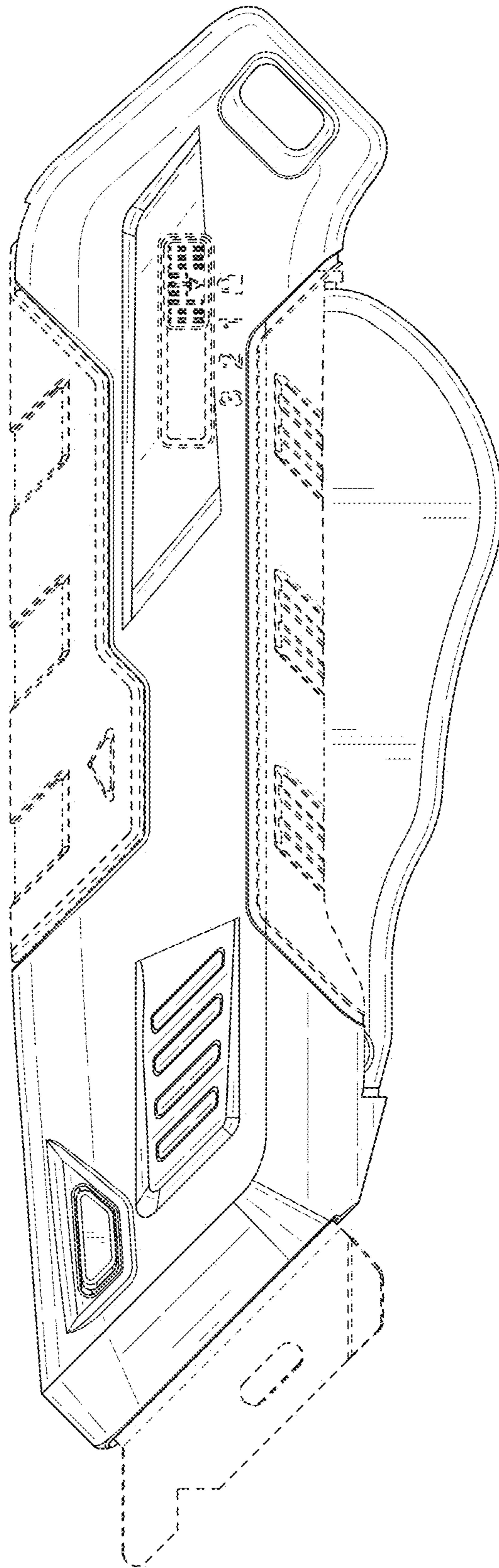


FIG. 5

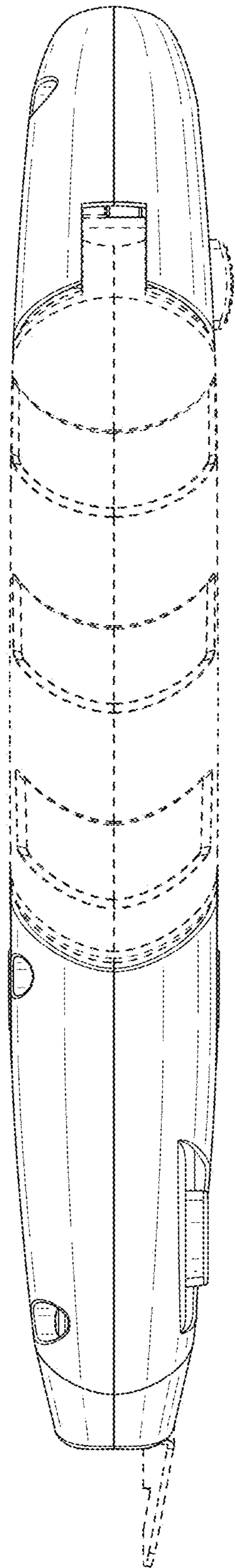


FIG. 6

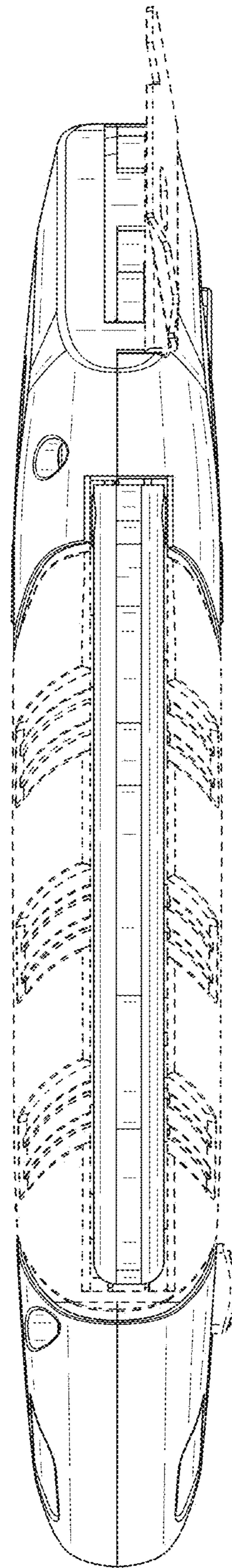


FIG. 7