



US00D881667S

(12) **United States Design Patent**
Han

(10) **Patent No.:** **US D881,667 S**

(45) **Date of Patent:** **** Apr. 21, 2020**

- (54) **FOLDING KNIFE**
- (71) Applicant: **Wen-Ke Han**, Yuyao (CN)
- (72) Inventor: **Wen-Ke Han**, Yuyao (CN)
- (**) Term: **15 Years**
- (21) Appl. No.: **29/650,628**
- (22) Filed: **Jun. 8, 2018**
- (51) **LOC (12) Cl.** **08-03**
- (52) **U.S. Cl.**
USPC **D8/99**
- (58) **Field of Classification Search**
USPC D8/14, 17, 18, 21, 98, 99, 105; D22/118;
30/162
CPC B26B 3/06; B26B 1/08; B26B 1/10; B26B
5/00; B26B 5/001; B26B 5/003; B26B
5/005; B26B 5/006
See application file for complete search history.

- 7,797,836 B2 * 9/2010 Ranieri B26B 5/001
30/162
- 7,814,664 B2 * 10/2010 LeBlanc B26B 5/00
30/156
- D645,719 S * 9/2011 Wu D8/99
- D654,343 S * 2/2012 Wu D8/99
- D691,018 S * 10/2013 Robinson D8/99
- 8,938,883 B2 * 1/2015 Gringer B26B 1/048
30/155
- D738,182 S * 9/2015 Parker D8/99
- D829,525 S * 10/2018 Wong D8/99
- 10,144,139 B2 * 12/2018 Squiers B26B 5/003

* cited by examiner

Primary Examiner — Philip S Hyder

(74) *Attorney, Agent, or Firm* — Jie Yang; ZANIP

(57) **CLAIM**

The ornamental design for a folding knife, as shown and described.

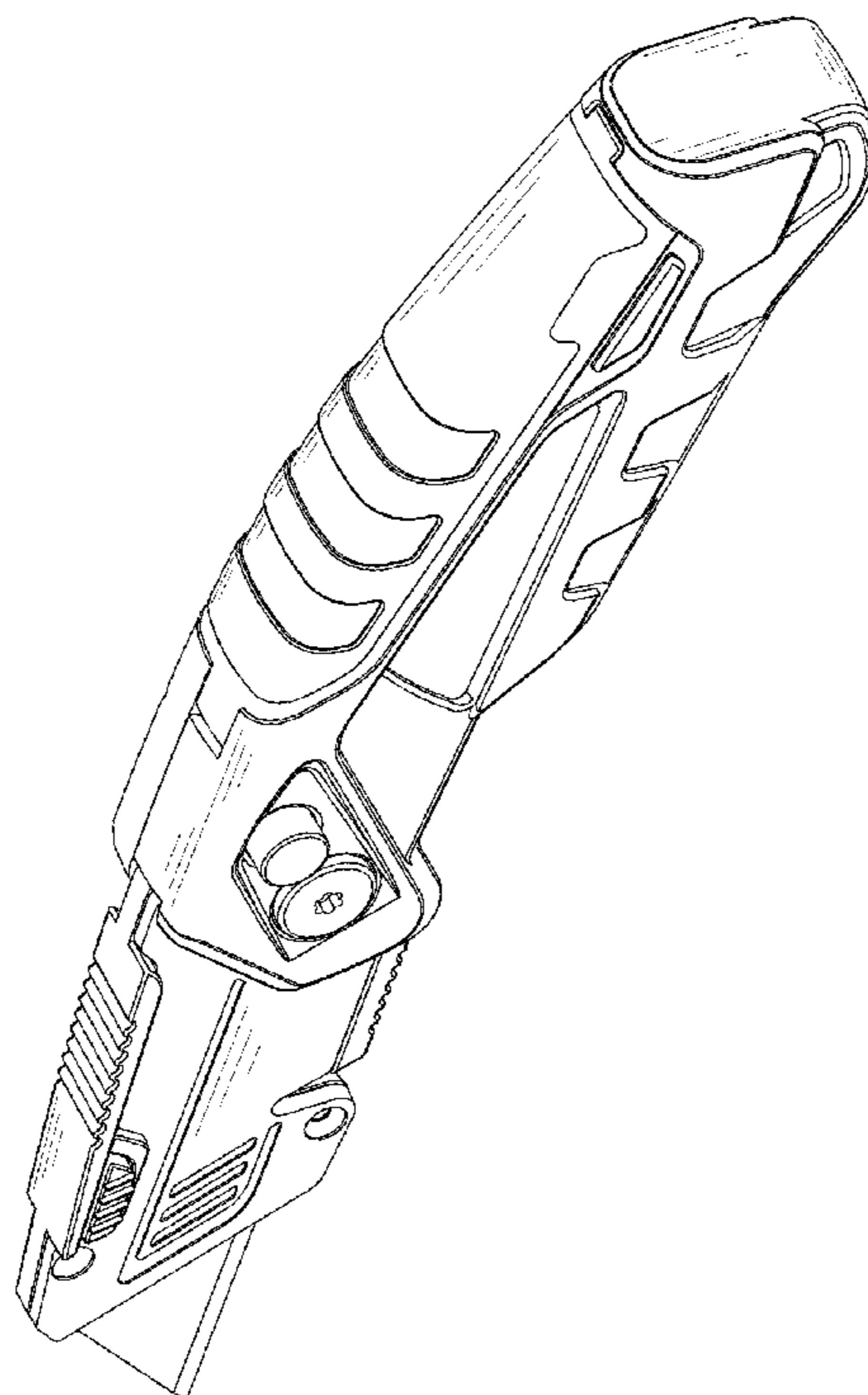
DESCRIPTION

FIG. 1 is a left perspective view of a folding knife showing my new design;
 FIG. 2 is a front elevational view thereof;
 FIG. 3 is a top plan view thereof;
 FIG. 4 is a left side elevational view thereof;
 FIG. 5 is a rear elevational view thereof;
 FIG. 6 is a right side view thereof; and
 FIG. 7 is a bottom plan view thereof; and,
 FIG. 8 is a right perspective view thereof.
 The broken lines depict portions of the folding knife in which the design is embodied that are not considered part of the claimed design.

(56) **References Cited**
U.S. PATENT DOCUMENTS

- D522,835 S * 6/2006 Ping D8/99
- D568,137 S * 5/2008 Hernandez, Jr. D8/99
- 7,380,341 B2 * 6/2008 Ping B26B 1/042
30/155
- 7,480,997 B2 * 1/2009 Ping B26B 1/046
30/159
- D588,433 S * 3/2009 van Deursen D8/99
- 7,520,059 B2 * 4/2009 Ranieri B26B 5/001
30/162
- D602,326 S * 10/2009 Garcia D8/99
- 7,797,835 B2 * 9/2010 Zeng B26B 5/001
30/153

1 Claim, 8 Drawing Sheets



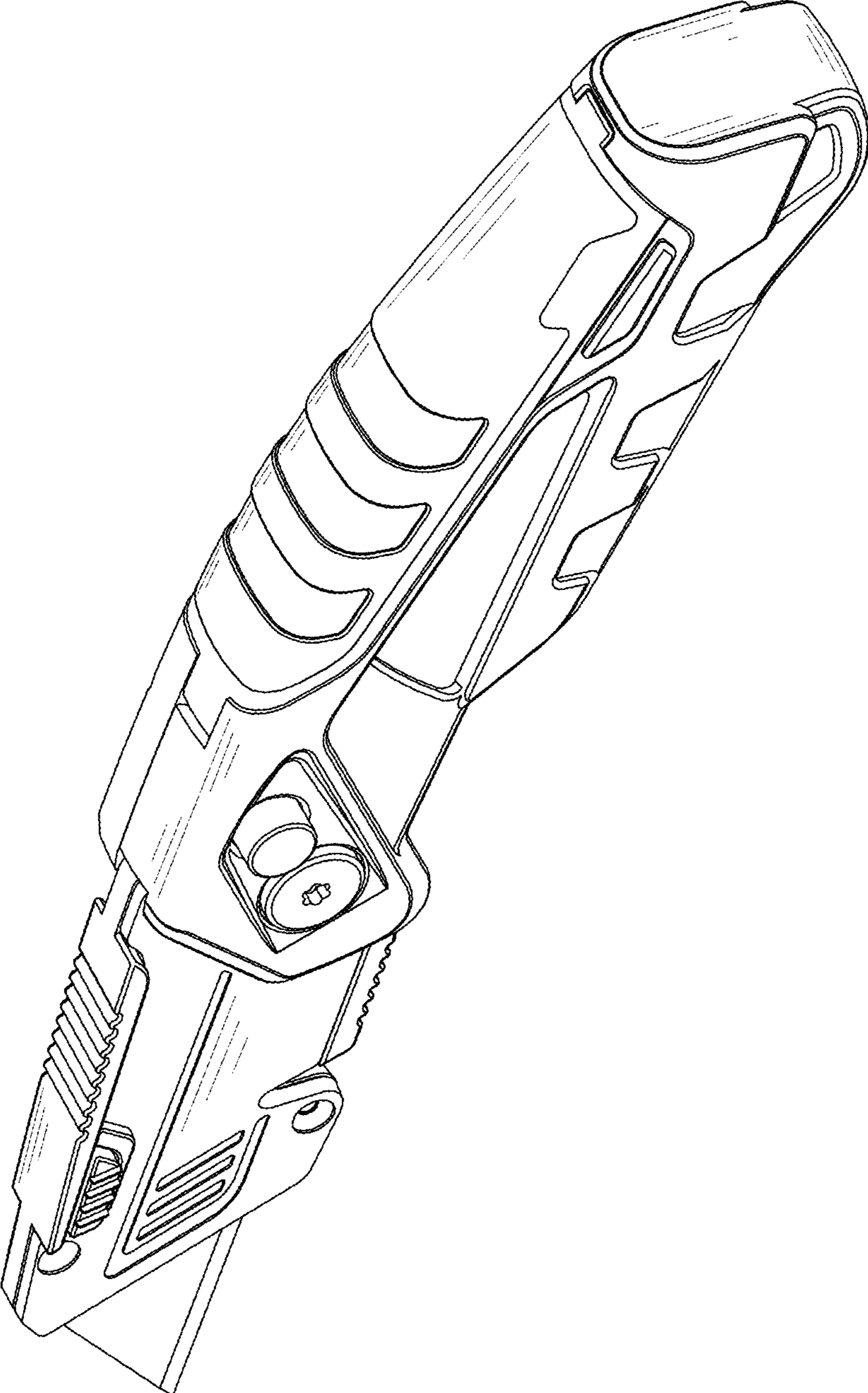


FIG. 1

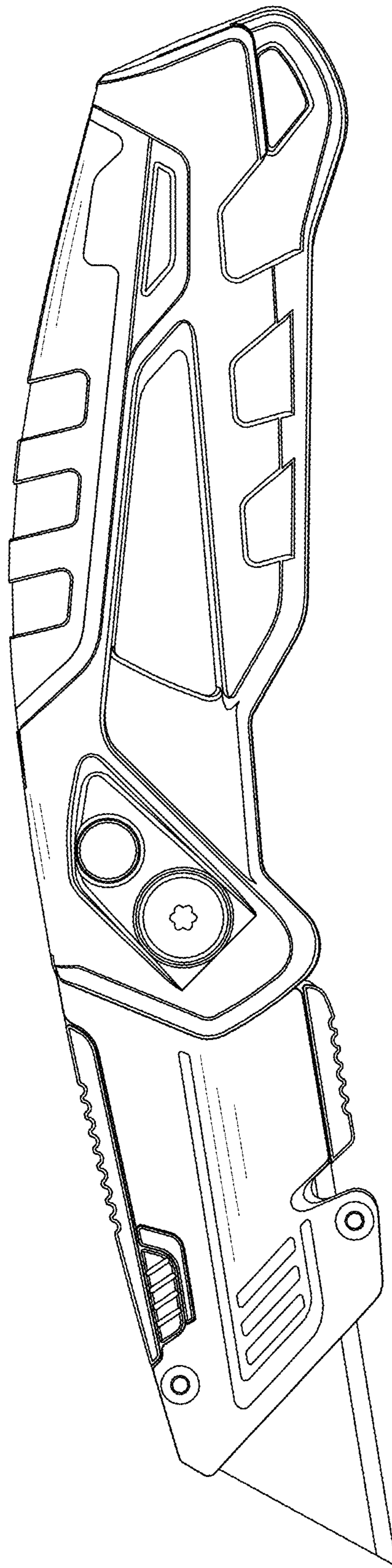


FIG. 2

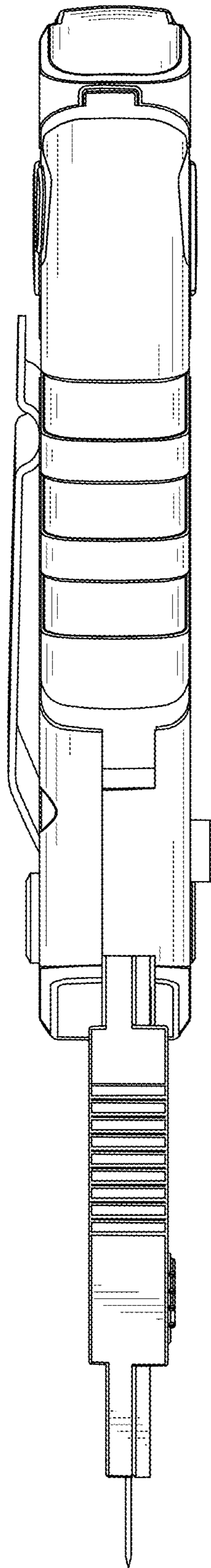


FIG. 3

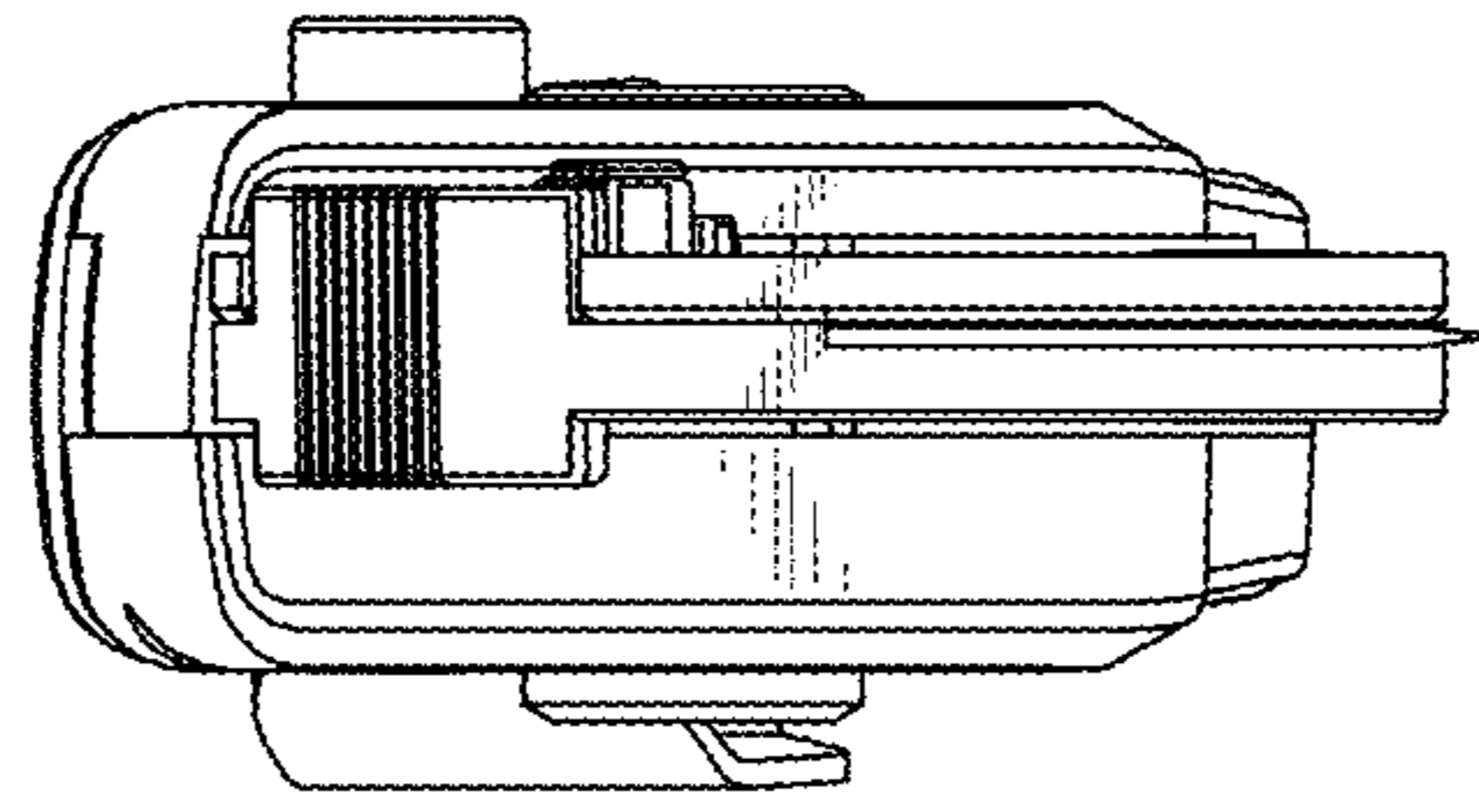


FIG. 4

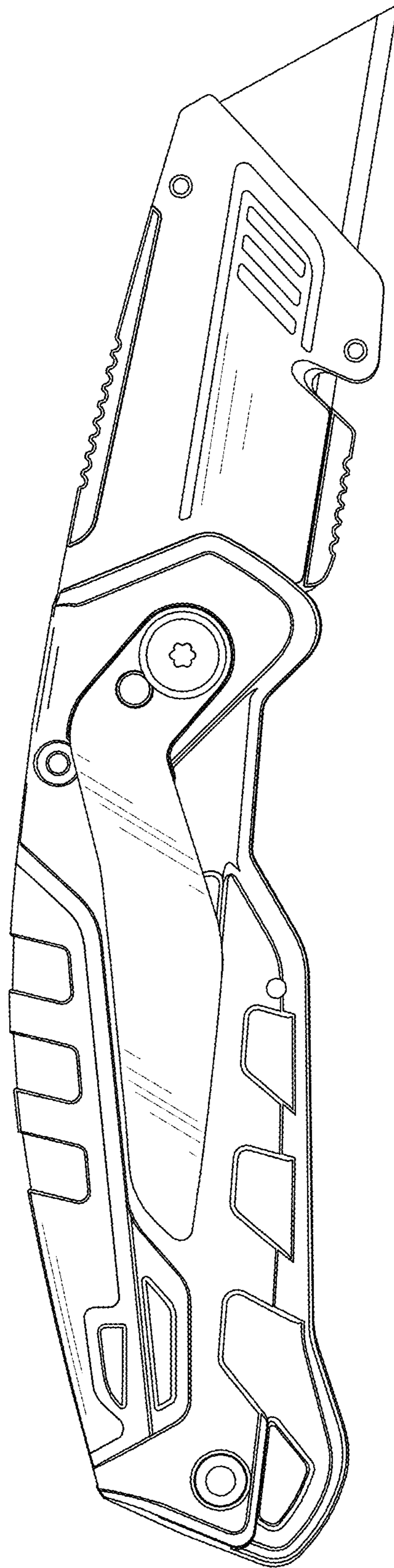


FIG. 5

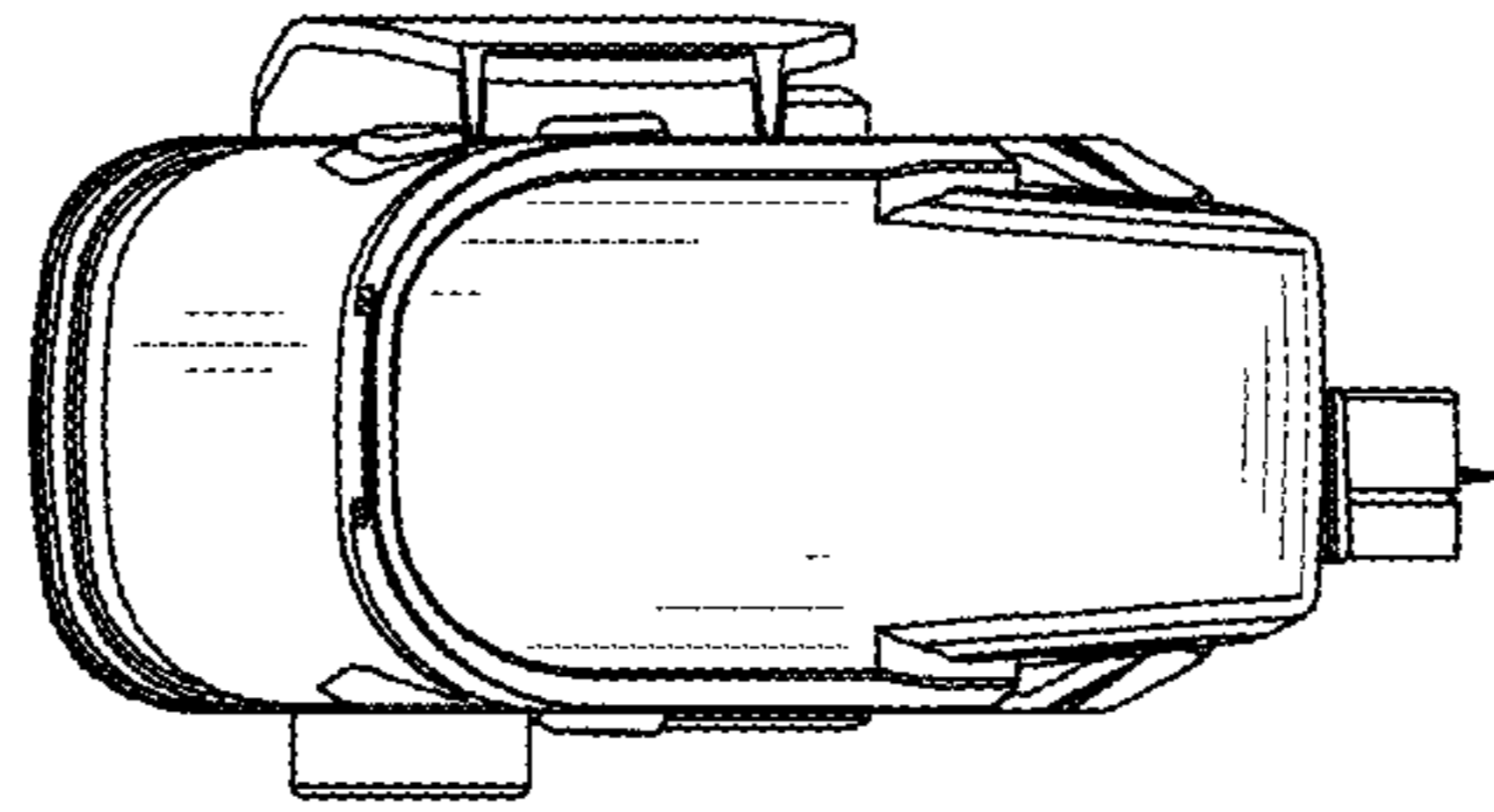


FIG. 6

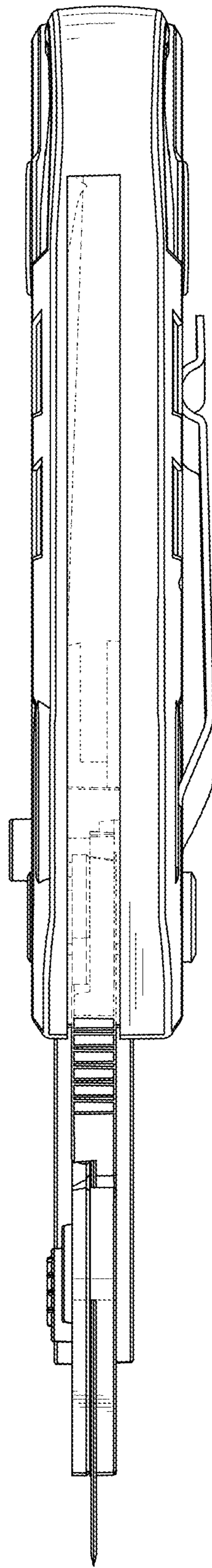


FIG. 7

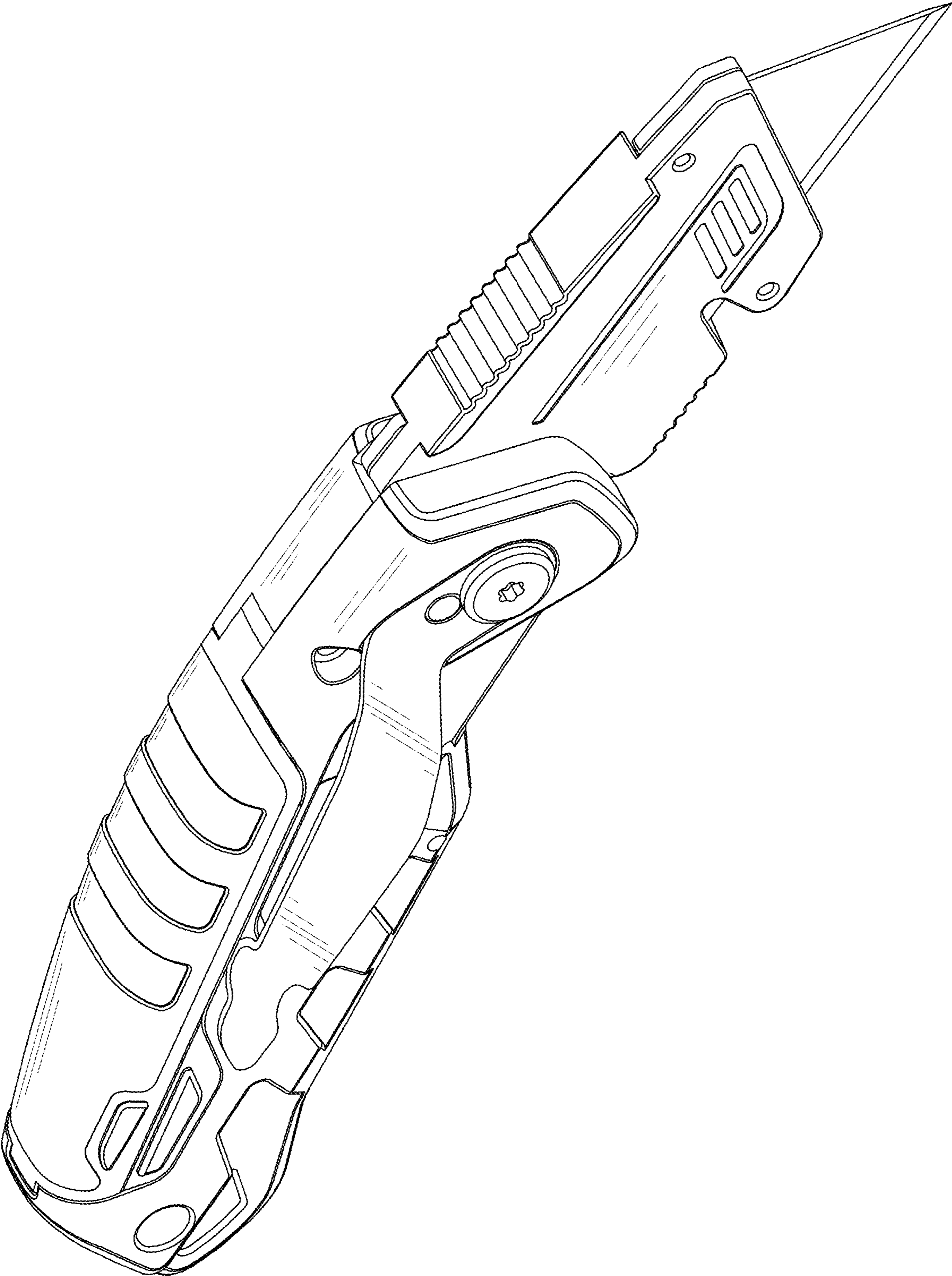


FIG. 8