



US00D881661S

(12) **United States Design Patent**  
**Rainaldi**

(10) **Patent No.:** **US D881,661 S**

(45) **Date of Patent:** **\*\* Apr. 21, 2020**

(54) **BOTTLE HOLDER**

(71) Applicant: **OPINION CIATTI S.R.L.**, Calenzano  
(FL) (IT)

(72) Inventor: **Margherita Mucol Rainaldi**, Milan  
(IT)

(73) Assignee: **OPINION CIATTI S.R.L.**, Calenzano  
(FL) (IT)

(\*\*) Term: **15 Years**

(21) Appl. No.: **29/666,801**

(22) Filed: **Oct. 16, 2018**

(30) **Foreign Application Priority Data**

Apr. 17, 2018 (EM) ..... 005238011-0001-0007

(51) **LOC (12) Cl.** ..... **06-04**

(52) **U.S. Cl.**  
USPC ..... **D7/701**

(58) **Field of Classification Search**  
USPC ..... D7/701-708, 600.1-600.4; D6/672,  
D6/675.5, 676.5, 677.5, 678.5, 680.3,  
D6/681, 682.2, 512, 546, 549, 552  
CPC ..... A47B 73/00; A47B 73/006; A47B 73/008;  
A47F 5/0815; A47F 7/28  
See application file for complete search history.

(56) **References Cited**

**U.S. PATENT DOCUMENTS**

D252,550 S \* 8/1979 Johnson ..... D7/708  
D479,786 S \* 9/2003 Matheou ..... D7/701

D497,526 S \* 10/2004 Sanders ..... D7/707  
D526,167 S \* 8/2006 Chen ..... D6/553  
D603,227 S \* 11/2009 Gurer ..... D7/701  
D760,560 S \* 7/2016 Chosovich ..... D7/701

\* cited by examiner

*Primary Examiner* — Terry A Wallace

(74) *Attorney, Agent, or Firm* — Andrew F. Young, Esq.;  
Lackebach Siegel, LLP

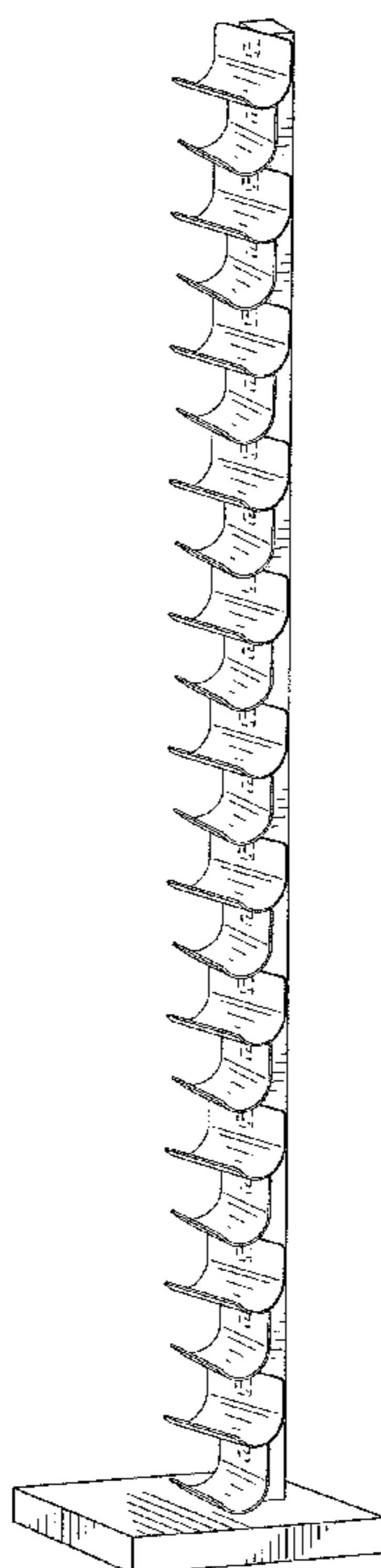
(57) **CLAIM**

The ornamental design for bottle holder, as shown and described.

**DESCRIPTION**

FIG. 1 is a front perspective view of a bottle holder of my present invention.  
FIG. 2 is a rear perspective view of FIG. 1.  
FIG. 3 is a front elevation view of FIG. 1.  
FIG. 4 is a rear elevation view of FIG. 1.  
FIG. 5 is a right side view of FIG. 1.  
FIG. 6 is a left side view of FIG. 1.  
FIG. 7 is a top plan view of FIG. 1; and,  
FIG. 8 is a bottom plan view of FIG. 1.  
The dash-dash lines in FIGS. 1, 3, 5, 6, for the inner attachment feature indicates disclaimed portions to which no claim is made. The dash-dash lines in FIG. 8 indicate disclaimed portions to which no claim is made. The surfaces are lightly lined for contour. No claim is made to portions that are not shown.

**1 Claim, 7 Drawing Sheets**



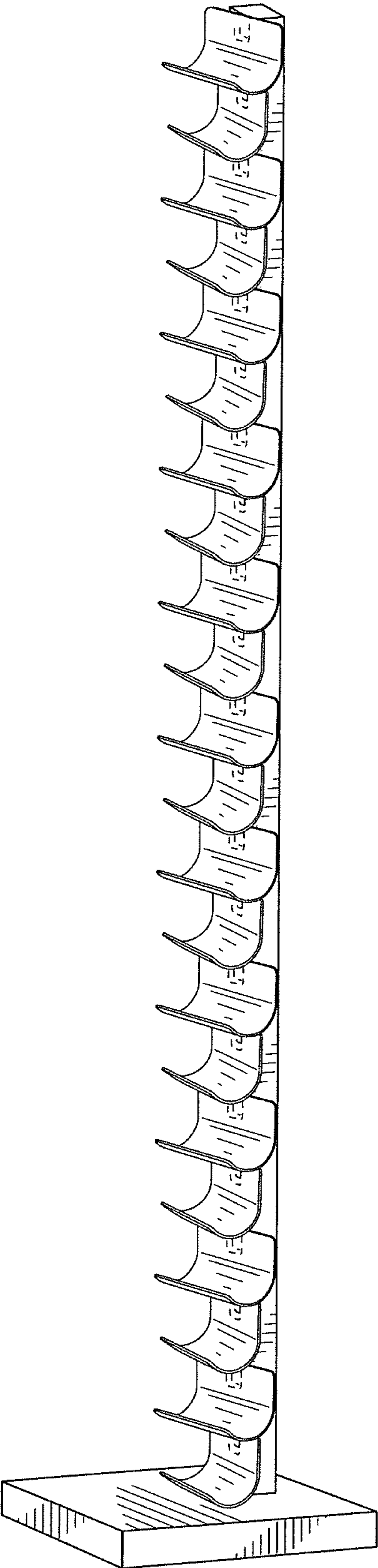


FIG. 1

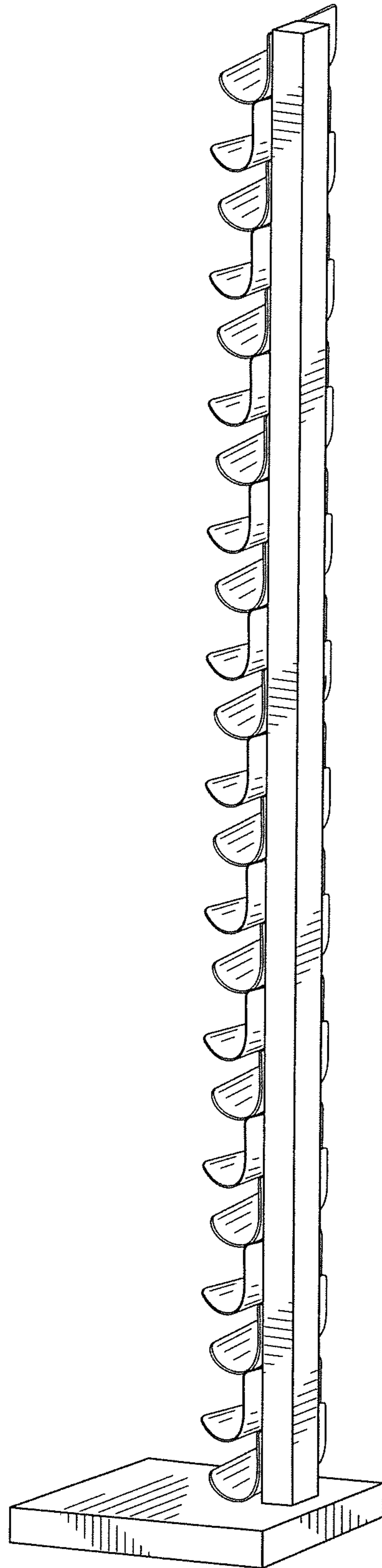


FIG. 2

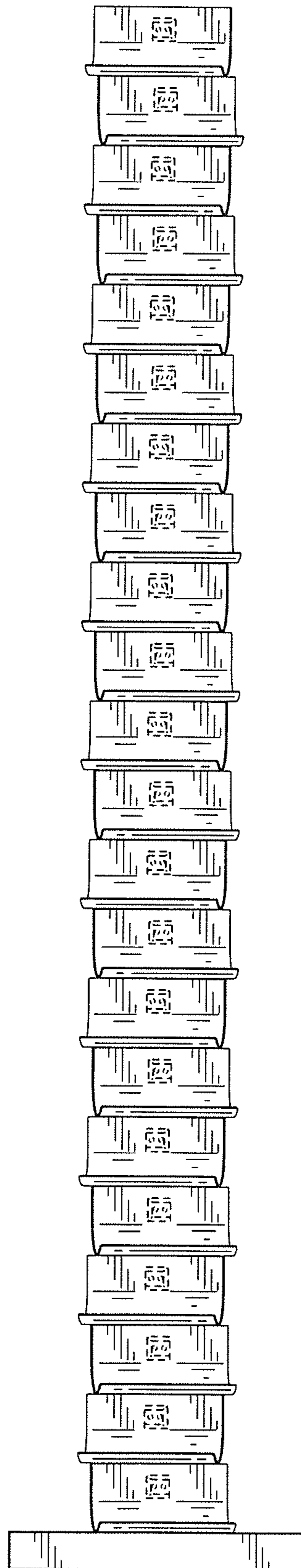


FIG. 3

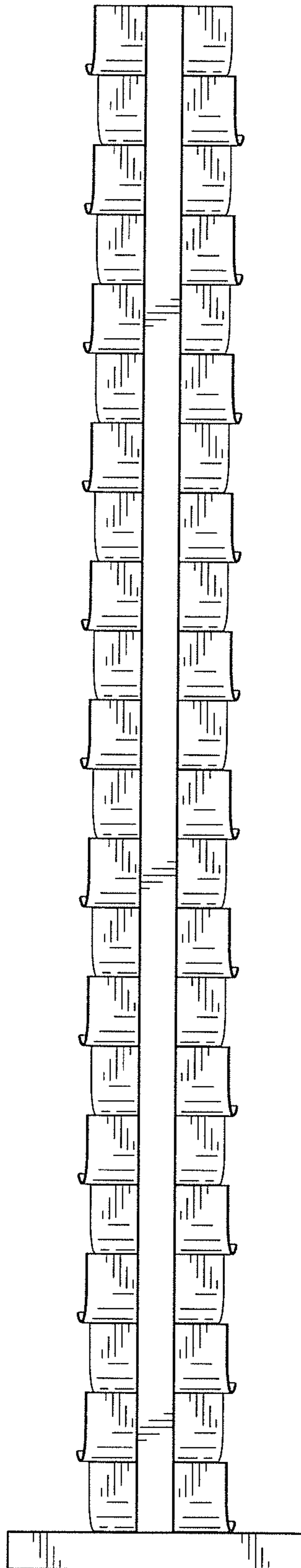


FIG. 4

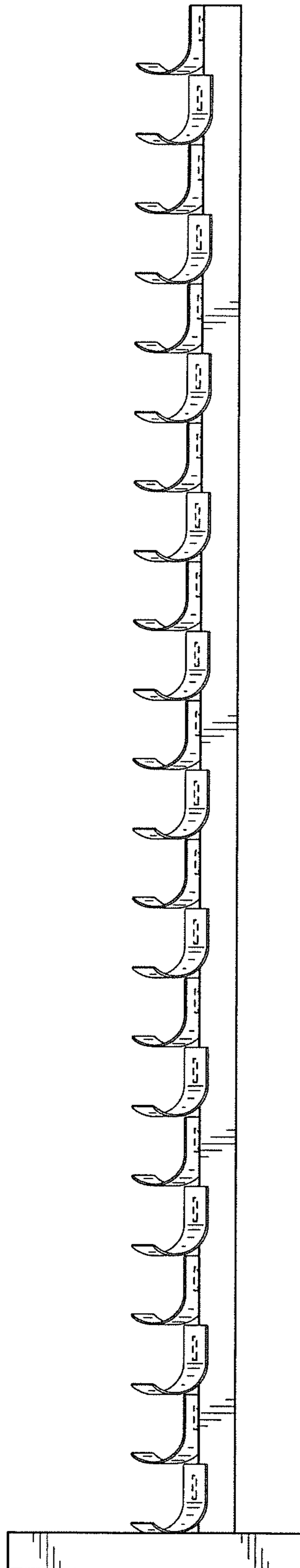


FIG. 5

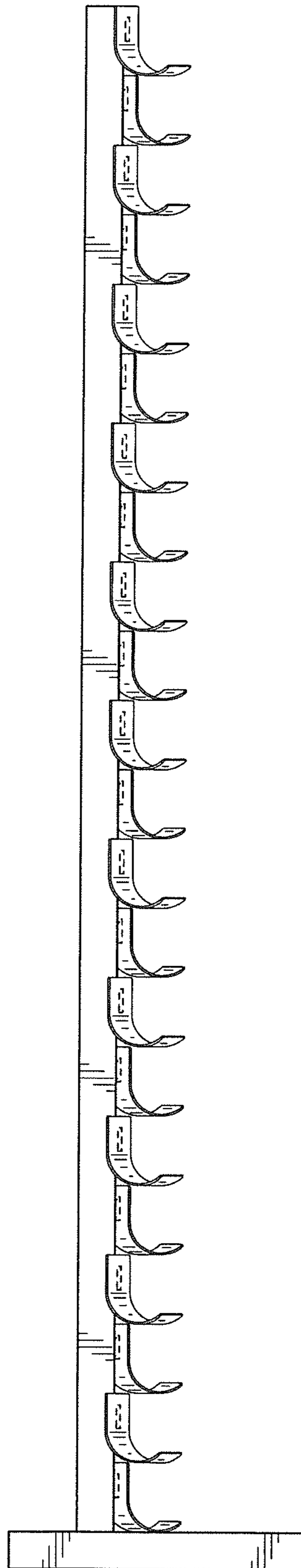


FIG. 6

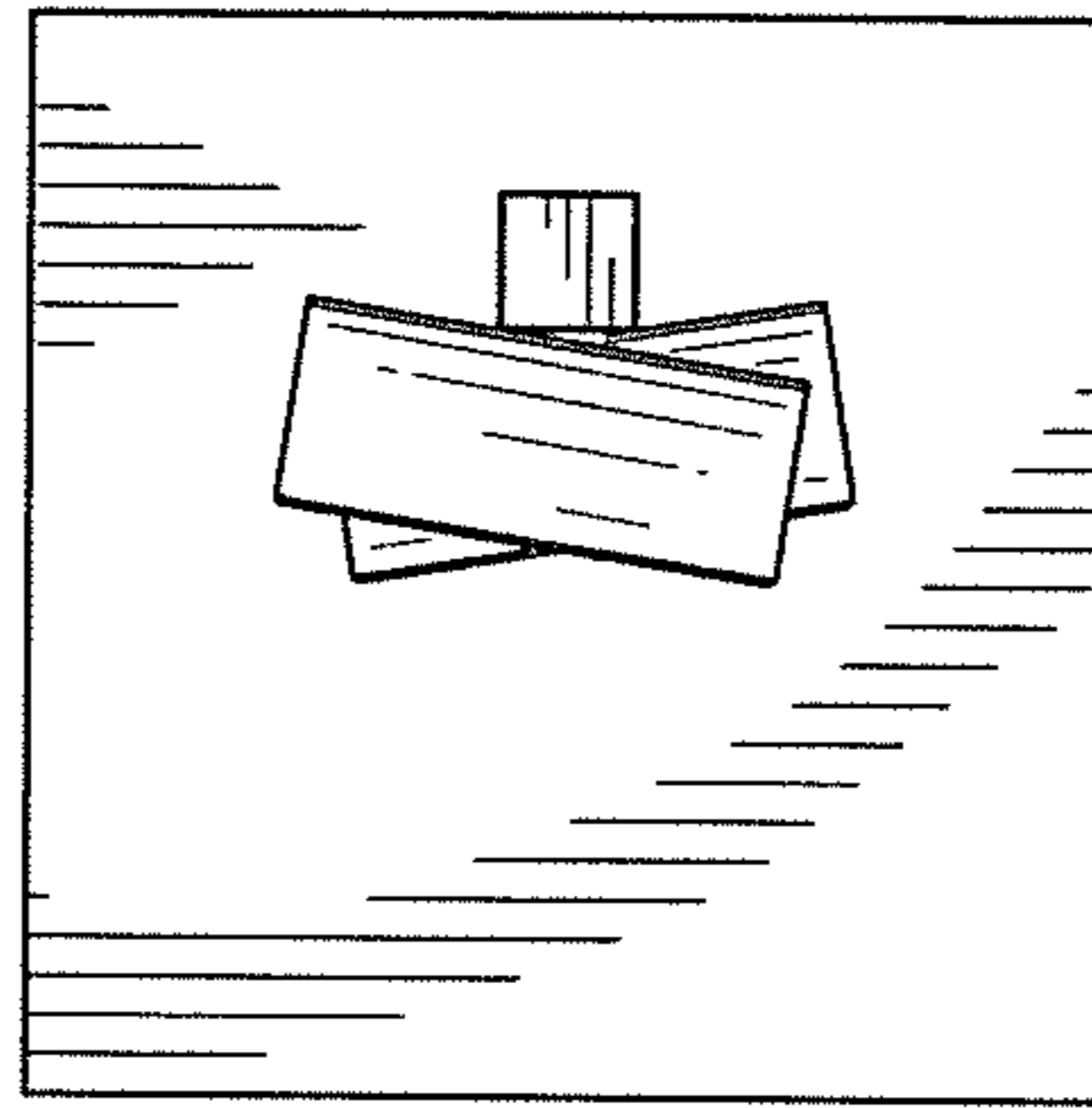


FIG. 7

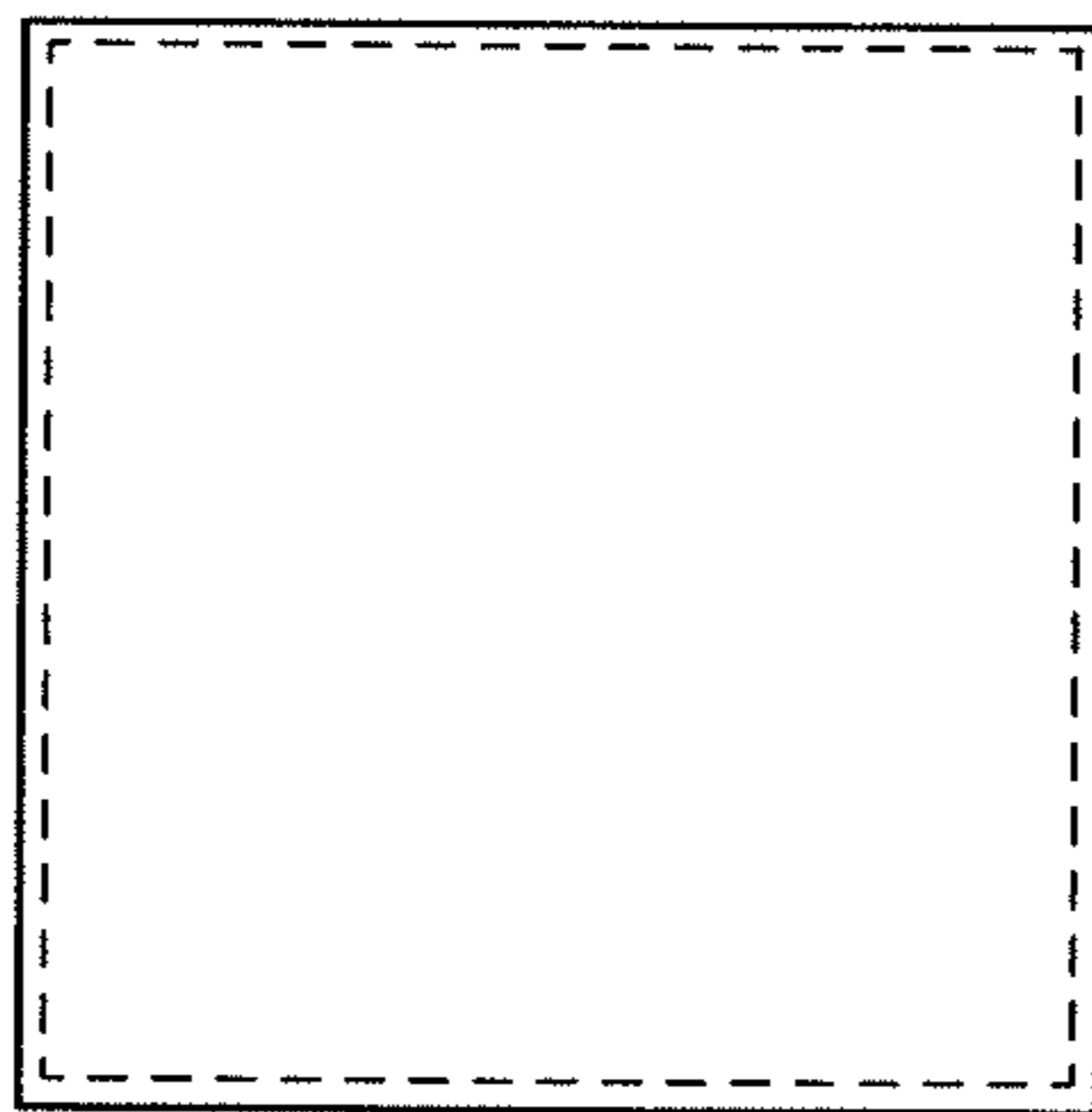


FIG. 8