



US00D881660S

(12) **United States Design Patent**
Hollinger

(10) **Patent No.:** **US D881,660 S**

(45) **Date of Patent:** **** Apr. 21, 2020**

(54) **VEGETABLE CHOPPER**

(71) Applicant: **E. MISHAN & SONS, INC.**, New York, NY (US)

(72) Inventor: **Fred Hollinger**, Monroe Township, NJ (US)

(73) Assignee: **E. MISHAN & SONS, INC.**, New York, NY (US)

(**) Term: **15 Years**

(21) Appl. No.: **29/705,477**

(22) Filed: **Sep. 12, 2019**

(51) **LOC (12) Cl.** **07-04**

(52) **U.S. Cl.**
USPC **D7/673; D7/693**

(58) **Field of Classification Search**
USPC **D7/672-674, 693-696, 381-385**
See application file for complete search history.

(56) **References Cited**

U.S. PATENT DOCUMENTS

- 4,884,755 A * 12/1989 Hedrington A47J 43/255
241/37.5
- D348,177 S * 6/1994 Kelly D7/381
- 5,628,237 A * 5/1997 Lindee B26D 1/0006
83/403.1
- D464,537 S * 10/2002 Healy D7/693
- D489,585 S * 5/2004 Wong D7/693

- D515,883 S * 2/2006 Greiner D7/693
- D584,113 S * 1/2009 Mah D7/672
- D641,596 S * 7/2011 Chan D7/673
- D773,905 S * 12/2016 Dichraff D7/693
- D809,881 S * 2/2018 Exley D7/693
- D812,962 S * 3/2018 Davies D7/381
- 2013/0206886 A1 * 8/2013 Rouyer A47J 43/255
241/220
- 2019/0014948 A1 * 1/2019 Cheung A47J 43/255

* cited by examiner

Primary Examiner — Brett Miller

(74) *Attorney, Agent, or Firm* — Notaro, Michalos & Zaccaria P.C.

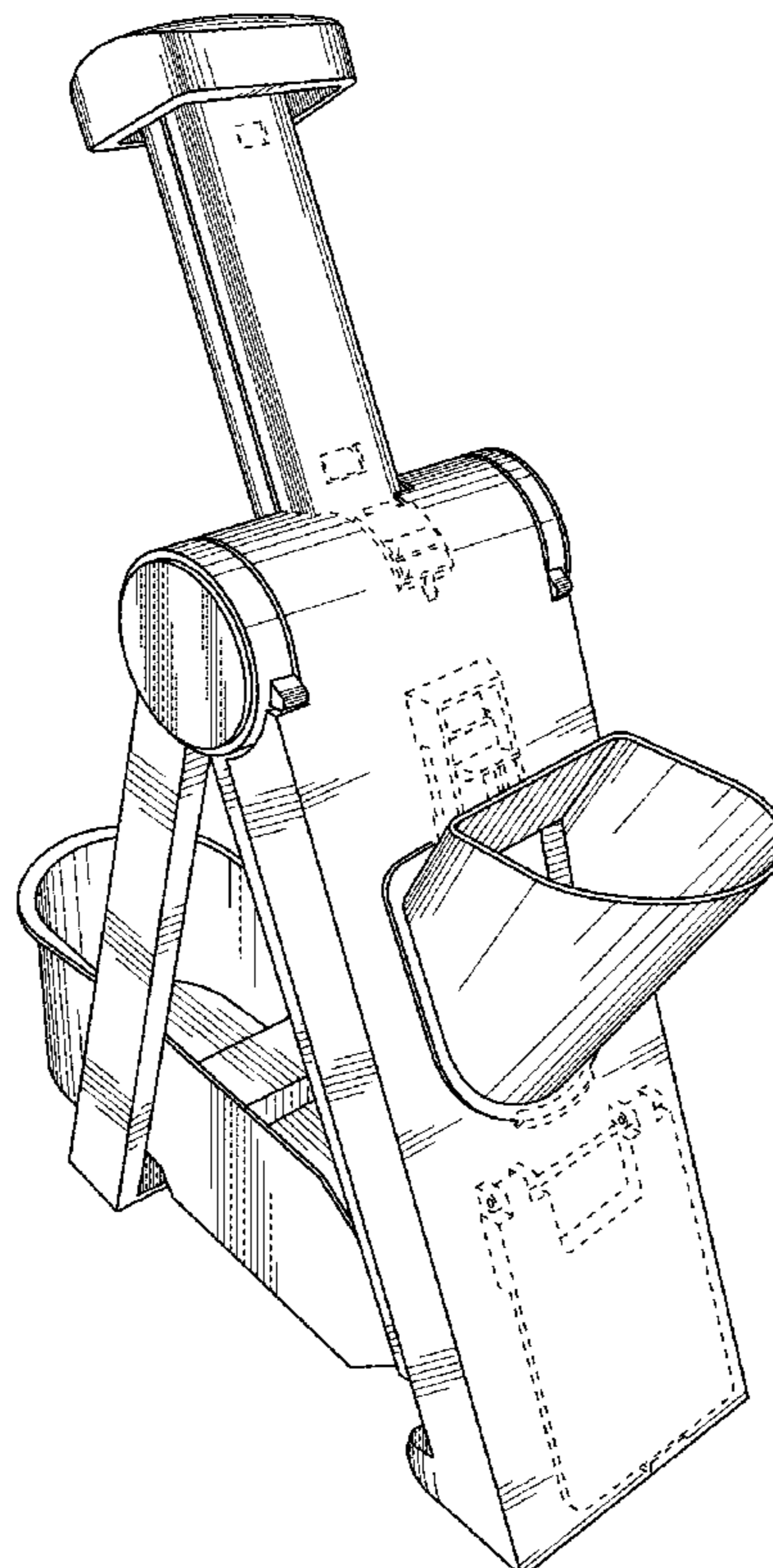
(57) **CLAIM**

The ornamental design for a vegetable chopper, as shown and described.

DESCRIPTION

FIG. 1 is a front, right perspective view showing my new design therefor;
 FIG. 2 is a right side elevational view thereof;
 FIG. 3 is a left side elevational view thereof;
 FIG. 4 is a front view thereof;
 FIG. 5 is a rear view thereof;
 FIG. 6 is a top plan view thereof; and,
 FIG. 7 is a bottom plan view thereof.
 The broken lines in the drawings are for the purposes of illustrating environment and form no part of the claimed design.

1 Claim, 7 Drawing Sheets



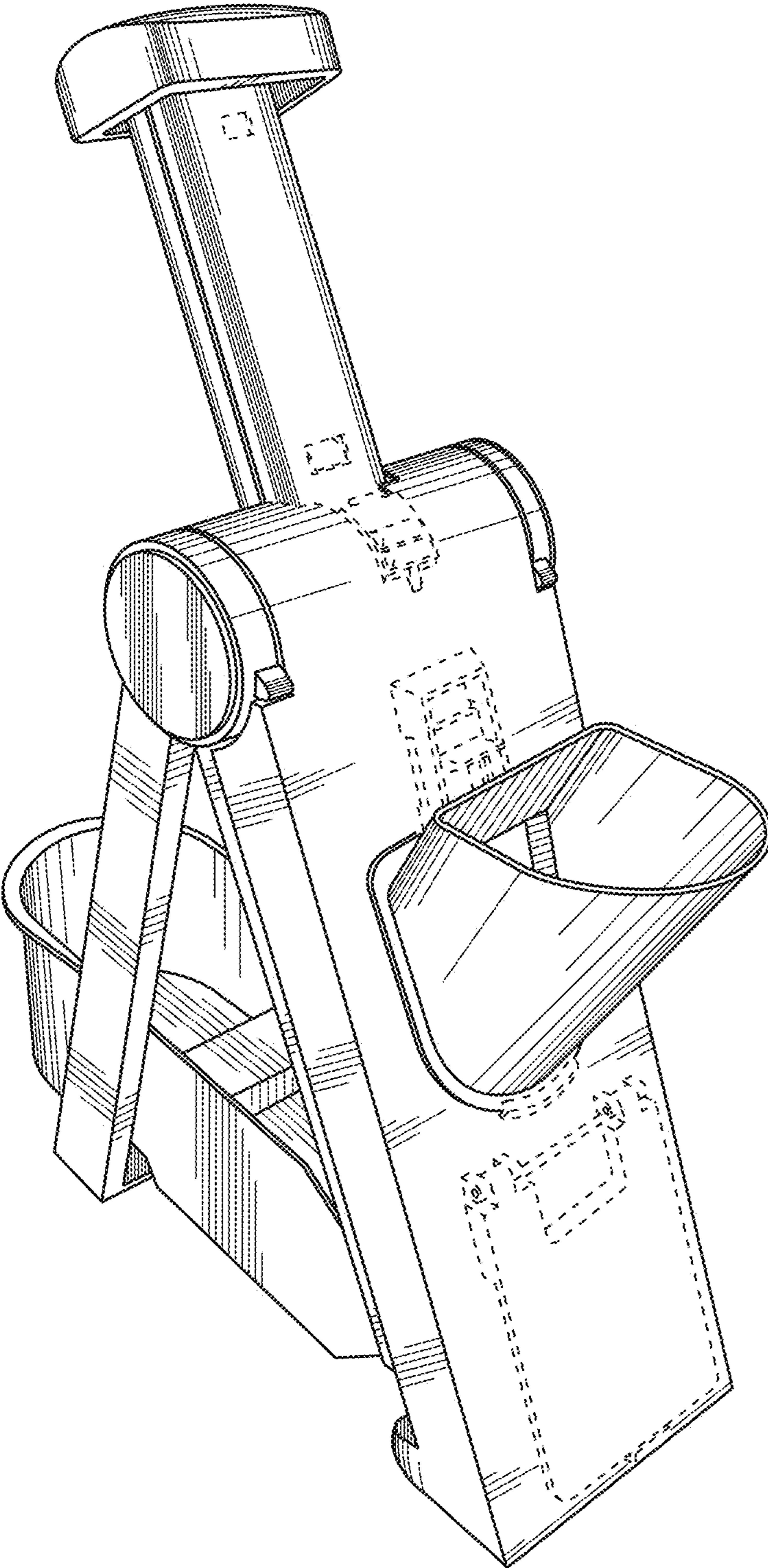


FIG. 1

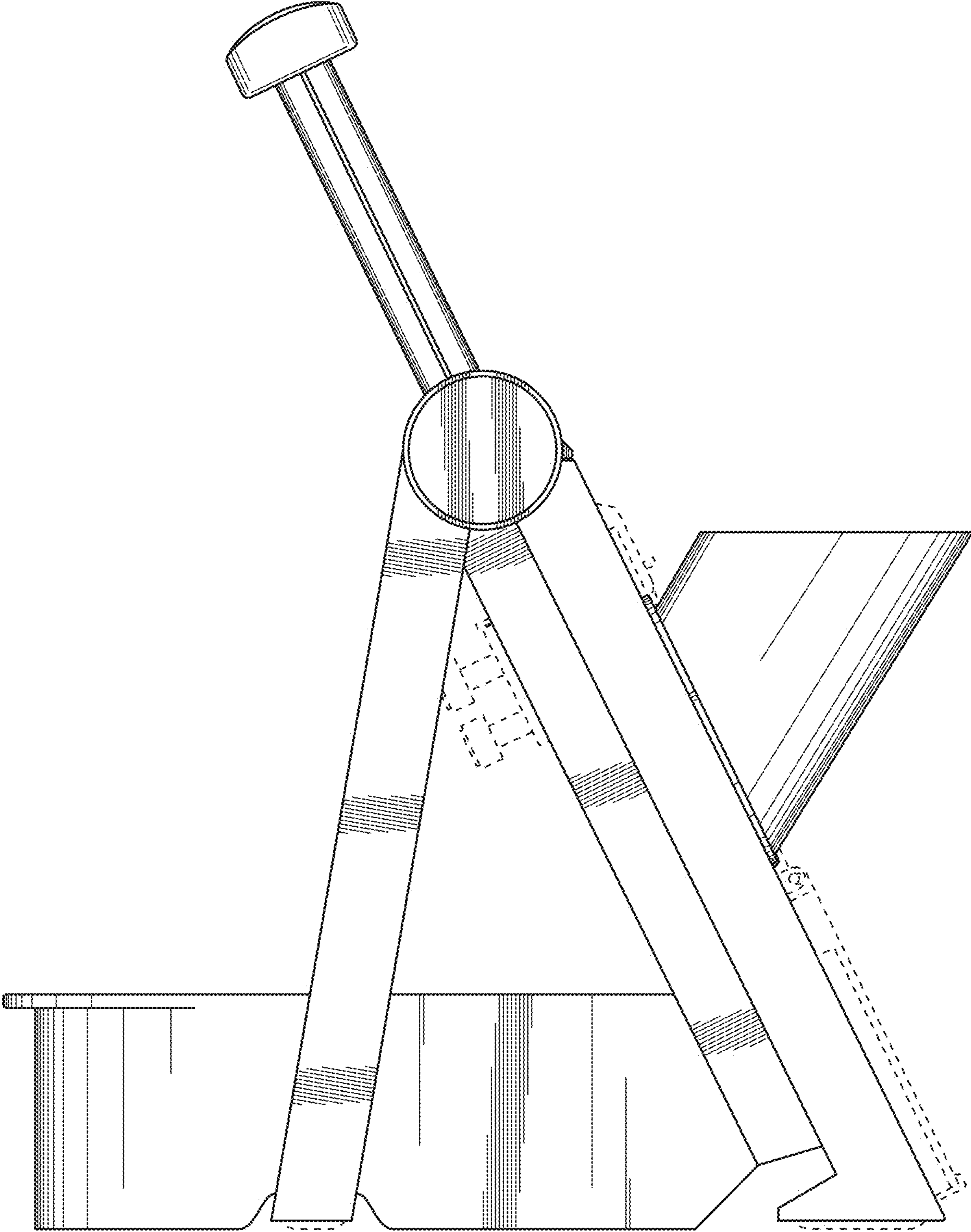


FIG. 2

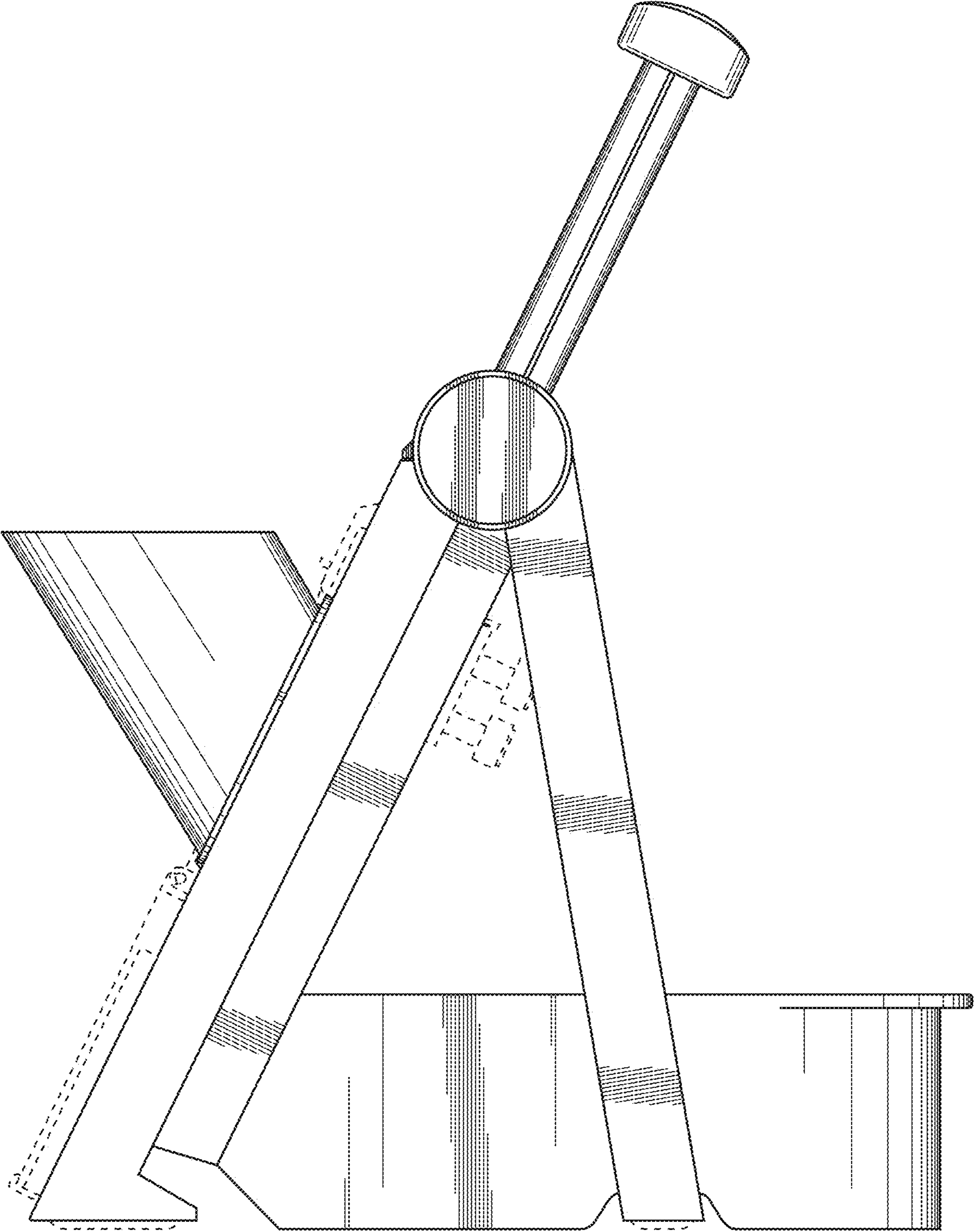


FIG. 3

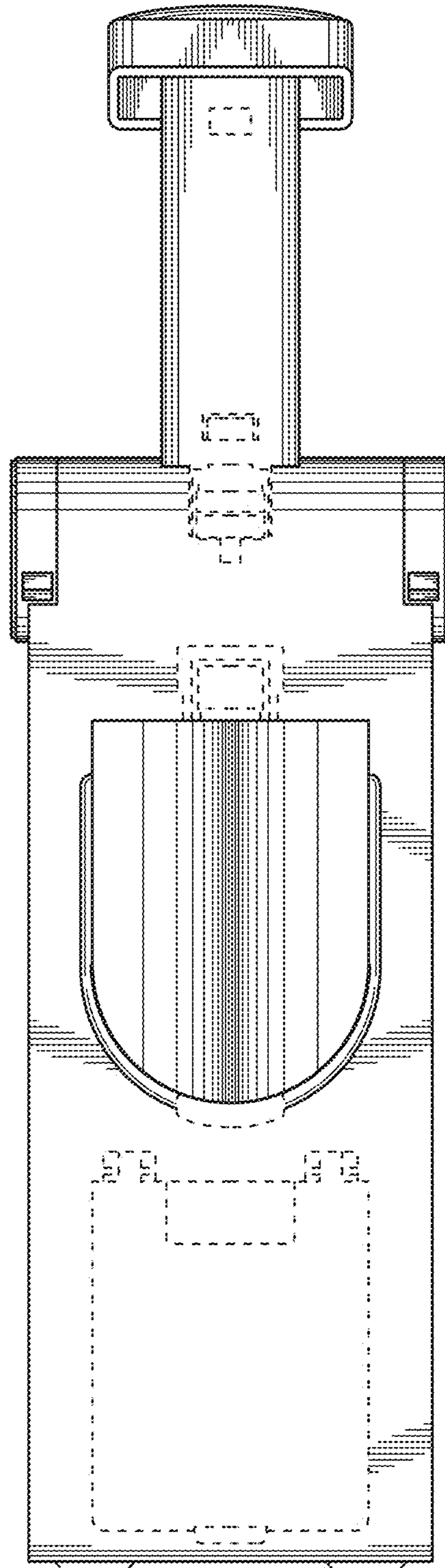


FIG. 4

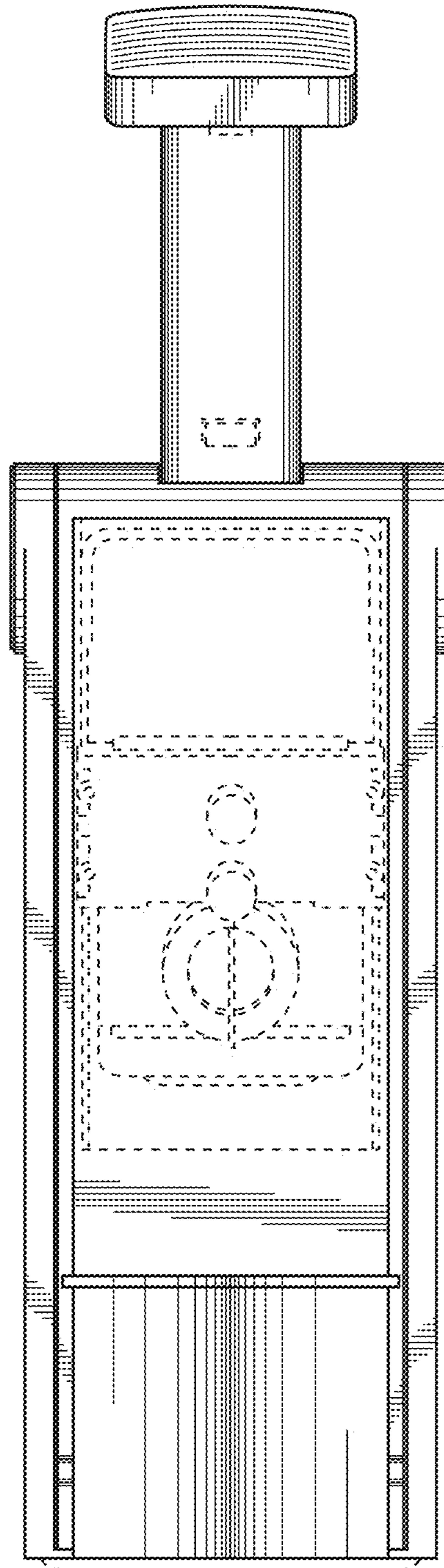


FIG. 5

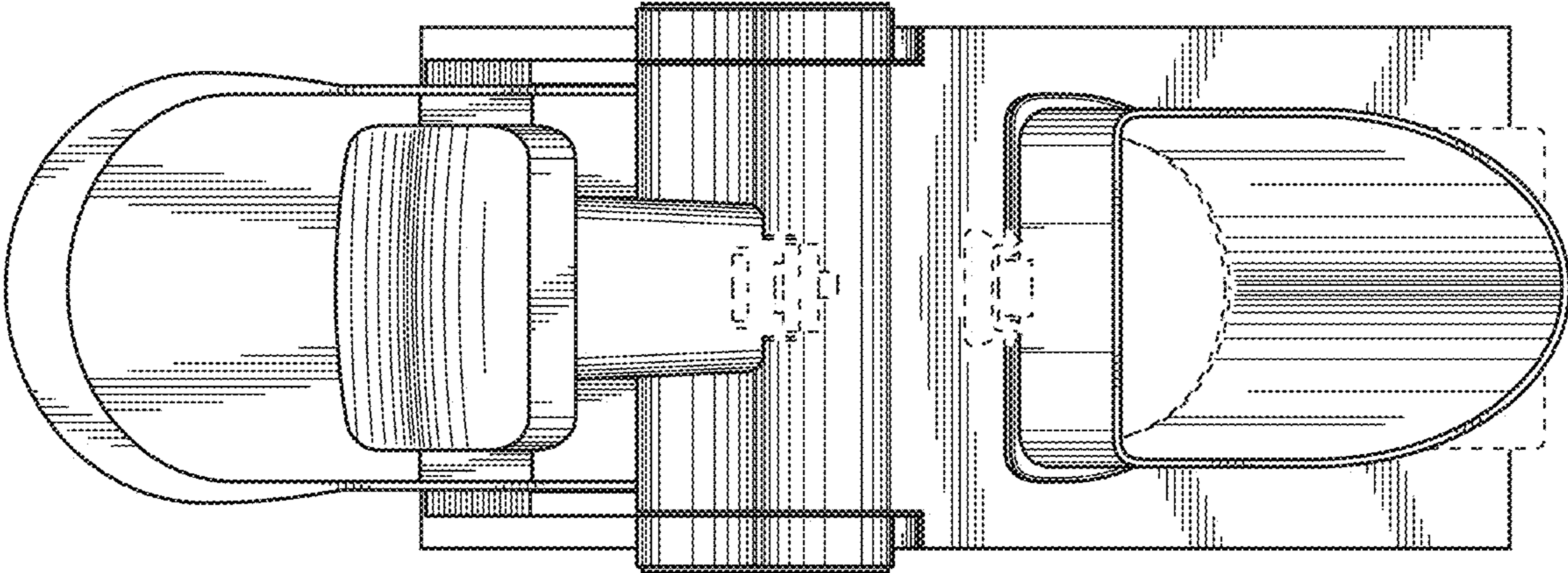


FIG. 6

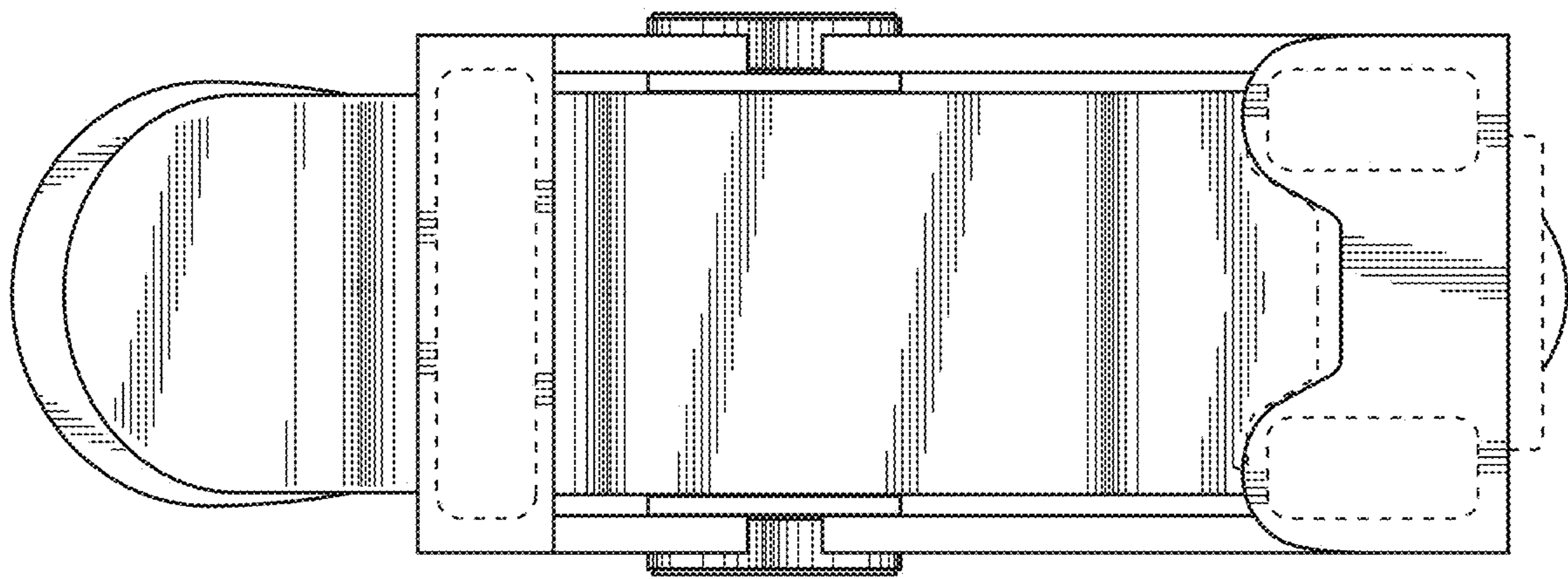


FIG. 7