



US00D881653S

(12) **United States Design Patent** (10) **Patent No.:** **US D881,653 S**
Serrahima et al. (45) **Date of Patent:** **** Apr. 21, 2020**

(54) **FOOD CONTAINER**

OTHER PUBLICATIONS

(71) Applicant: **Can't Live Without It, LLC**, New York, NY (US)

CN201930242516.0, "Notice of Decision to Grant," dated Jul. 4, 2019, 4 pages.

(Continued)

(72) Inventors: **Mario Quintana Serrahima**, Brooklyn, NY (US); **Clay Allen Burns**, New York, NY (US); **Eric Charles Fleischer**, New York, NY (US)

Primary Examiner — Cynthia R Underwood
(74) *Attorney, Agent, or Firm* — Kilpatrick Townsend & Stockton LLP

(73) Assignee: **CAN'T LIVE WITHOUT IT, LLC**, New York, NY (US)

(57) **CLAIM**

(**) Term: **15 Years**

The ornamental design for a food container, having the shape and configuration as shown and described.

(21) Appl. No.: **29/673,846**

(22) Filed: **Dec. 18, 2018**

DESCRIPTION

(51) **LOC (12) Cl.** **07-07**

(52) **U.S. Cl.**

USPC **D7/602**; D7/538

(58) **Field of Classification Search**

USPC D7/601, 602, 553.1, 553.2, 553.4, 554.3, D7/555, 553.5, 584; D9/430, 758, 759; 426/85; D3/273

CPC A47G 19/02; A47G 19/025; B65D 1/24; B65D 1/36; A45C 11/20; B42F 9/00

See application file for complete search history.

FIG. 1 is a top perspective view of a first embodiment of a food container.

FIG. 2 is a front elevation view of the food container of FIG. 1.

FIG. 3 is a rear elevation view of the food container of FIG. 1.

FIG. 4 is a left side elevation view of the food container of FIG. 1.

FIG. 5 is right side elevation view of the food container of FIG. 1.

FIG. 6 is a top plan view of the food container of FIG. 1.

FIG. 7 is a bottom plan view of the food container of FIG. 1; and,

FIG. 8 is a top perspective view of the food container of FIG. 1, showing the handle in an alternate position of use.

The evenly dotted broken lines represent portions of the structure that forms no part of the claim. The dash-dot-dot-dash boundary lines represent boundaries of the claim and form no part of the claim. The dash-dot-dash broken line represents a symbolic break along the height of the container with the dash-dot-dash lines and the space between the break forming no part of the claim.

(56) **References Cited**

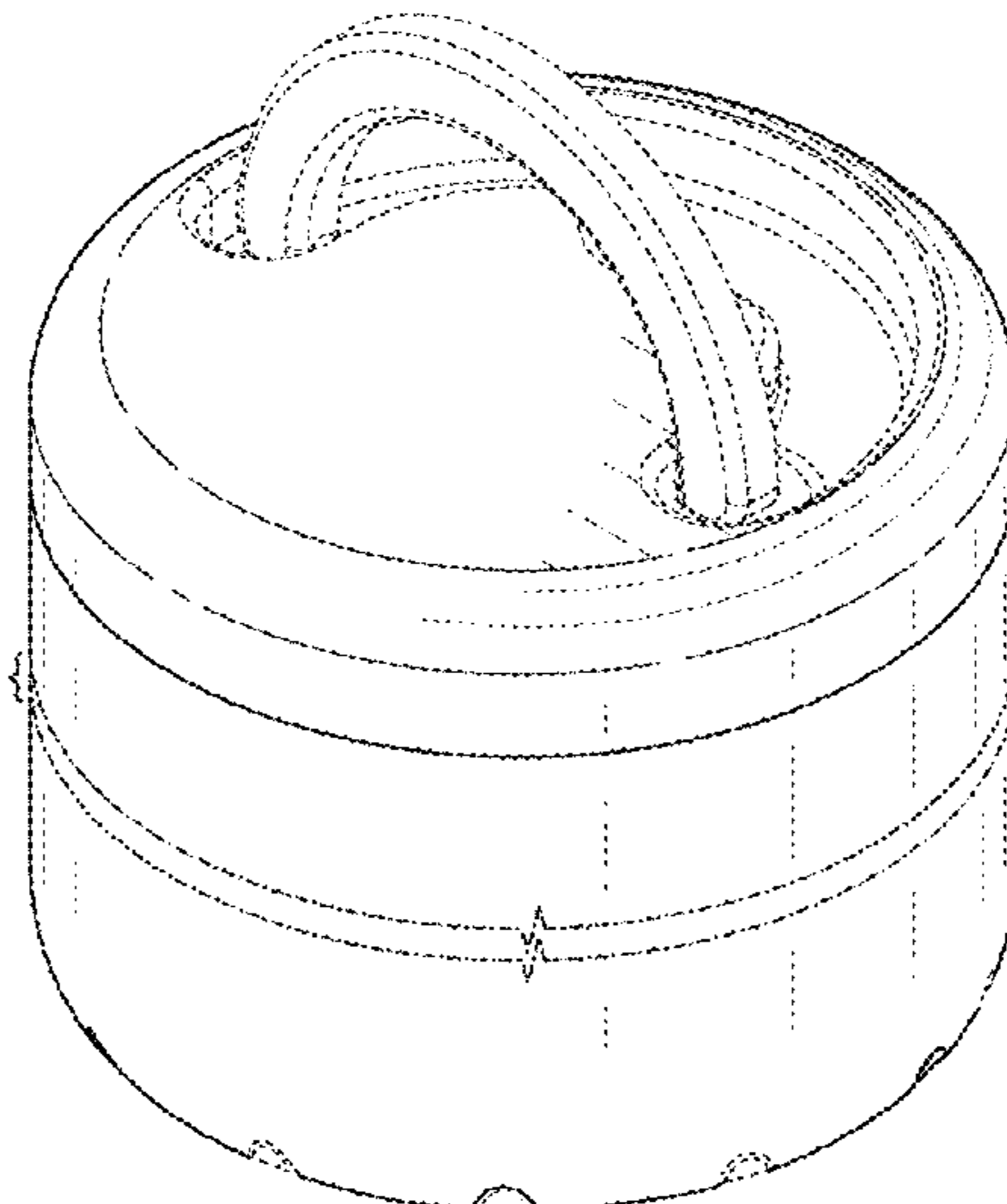
U.S. PATENT DOCUMENTS

835,166 A	11/1906	Staunton	
2,416,900 A	3/1947	Busby	
D308,336 S *	6/1990	Delbanco D9/430
5,131,558 A *	7/1992	Hikomori A45C 13/1084
			220/326
5,258,191 A	11/1993	Hayes	
		(Continued)	

FOREIGN PATENT DOCUMENTS

SG	30201906676X	6/2019
SG	30201906677	6/2019

1 Claim, 6 Drawing Sheets



(56)

References Cited

U.S. PATENT DOCUMENTS

5,443,853	A	8/1995	Hayes	
5,944,211	A	8/1999	Woodnorth et al.	
D416,797	S *	11/1999	Rabe	D9/431
D433,331	S *	11/2000	Denham	D9/432
D567,032	S *	4/2008	Gilbert	D7/629
D601,383	S *	10/2009	Shah	D7/538
D653,913	S *	2/2012	Stamper	D7/602
D672,612	S *	12/2012	Stamper	D7/602
D673,009	S *	12/2012	Stamper	D7/602
D759,434	S *	6/2016	Duvigneau	D7/615
D789,152	S *	6/2017	Wall	D7/538
D793,170	S *	8/2017	Karussi	D7/538
D794,393	S *	8/2017	Karussi	D7/538
D794,394	S *	8/2017	Karussi	D7/538
D821,822	S *	7/2018	Brown	D7/602
D854,381	S *	7/2019	Yang	D7/602
2009/0120937	A1 *	5/2009	Vovan	B65D 43/0206 220/266
2013/0248531	A1	9/2013	Lane	
2016/0176614	A1 *	6/2016	Mittal	A47J 36/027 219/725

OTHER PUBLICATIONS

EM006574745-0002, "Notice of Allowance," dated Jun. 11, 2019, 7 pages.
 EU006574745-0003, "Notice of Allowance," dated Jun. 11, 2019, 7 pages.
 VT3-2019-01534, "Office Action," dated Sep. 9, 2019, 1 page.

* cited by examiner

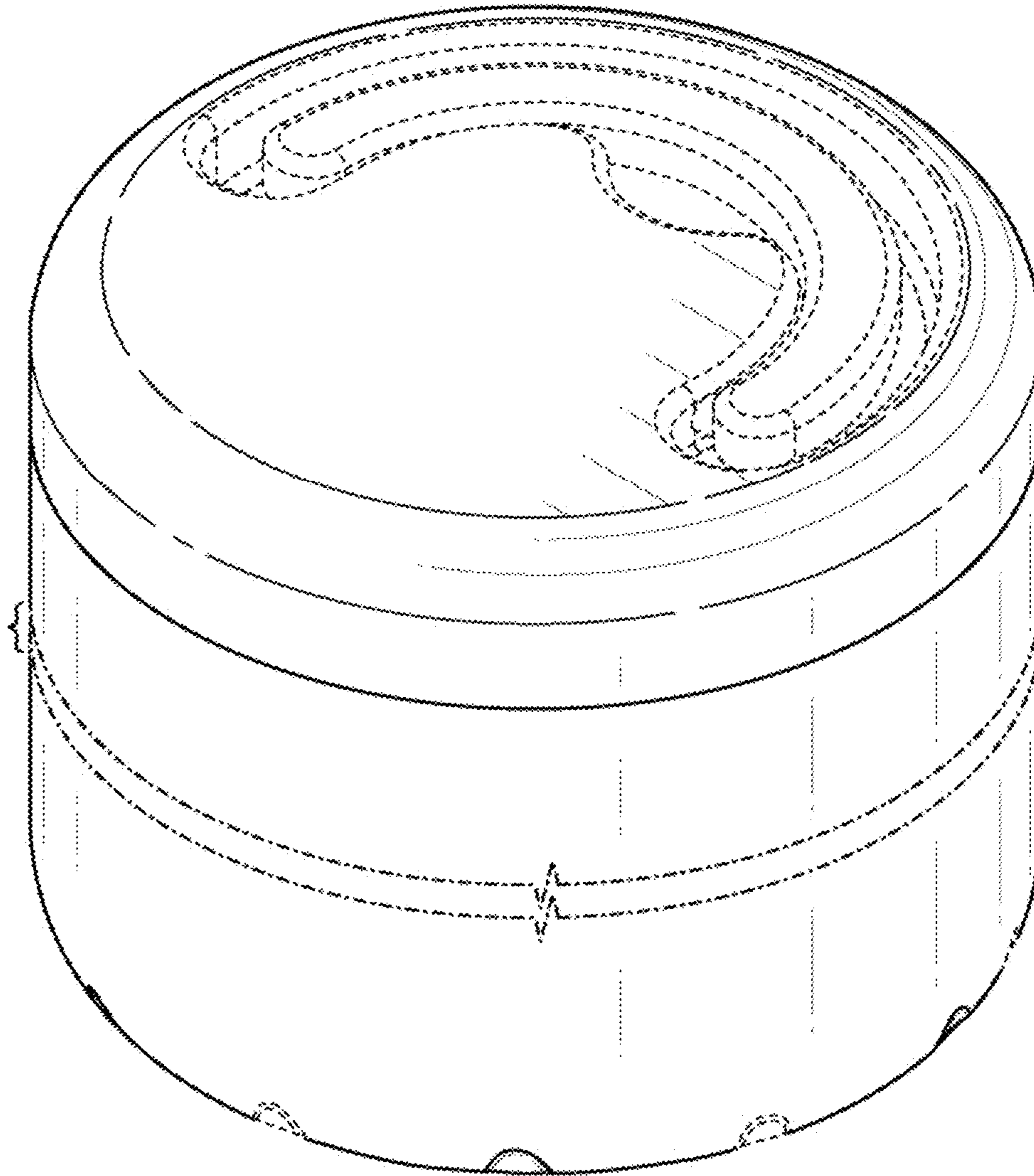


FIG. 1

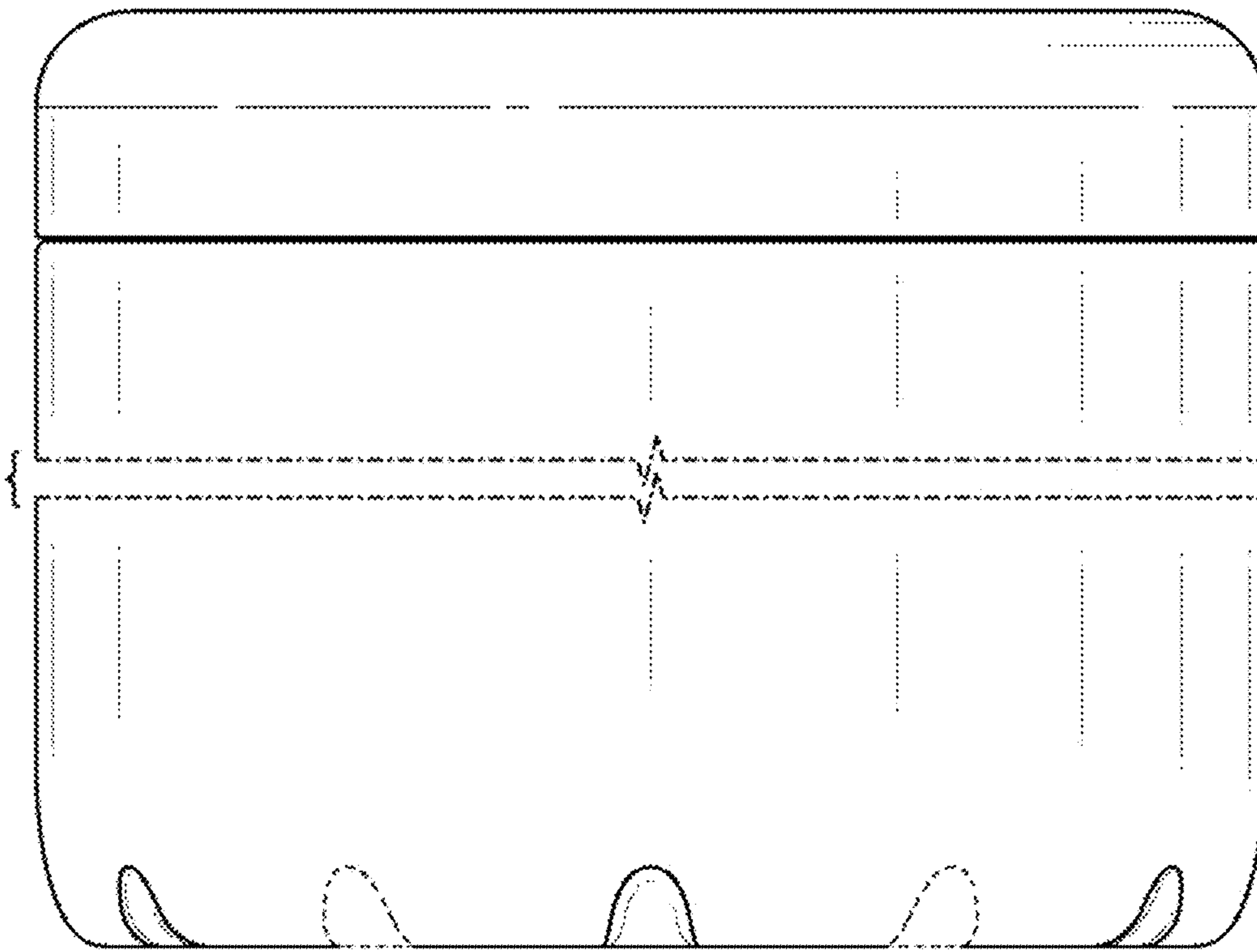


FIG. 2

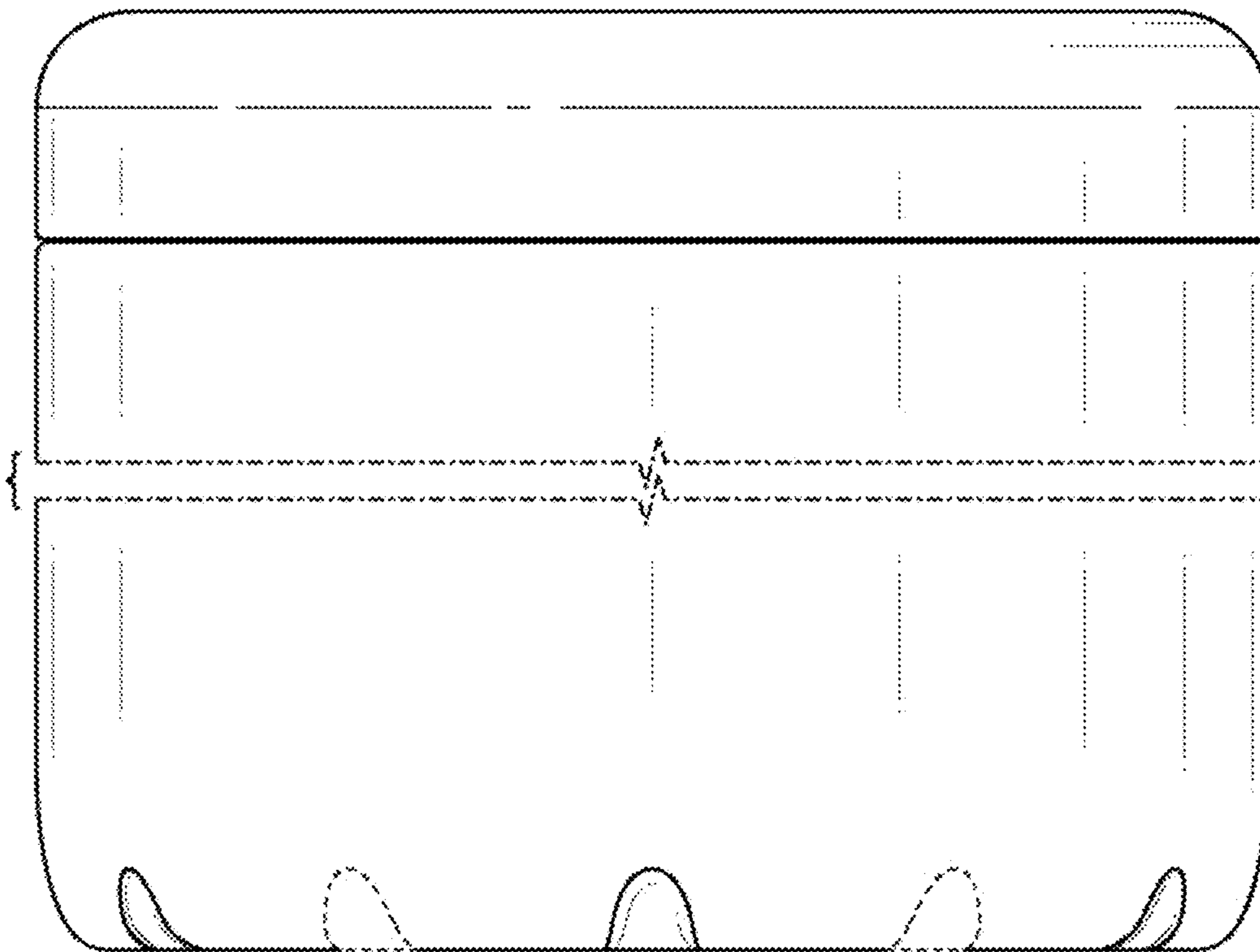


FIG. 3

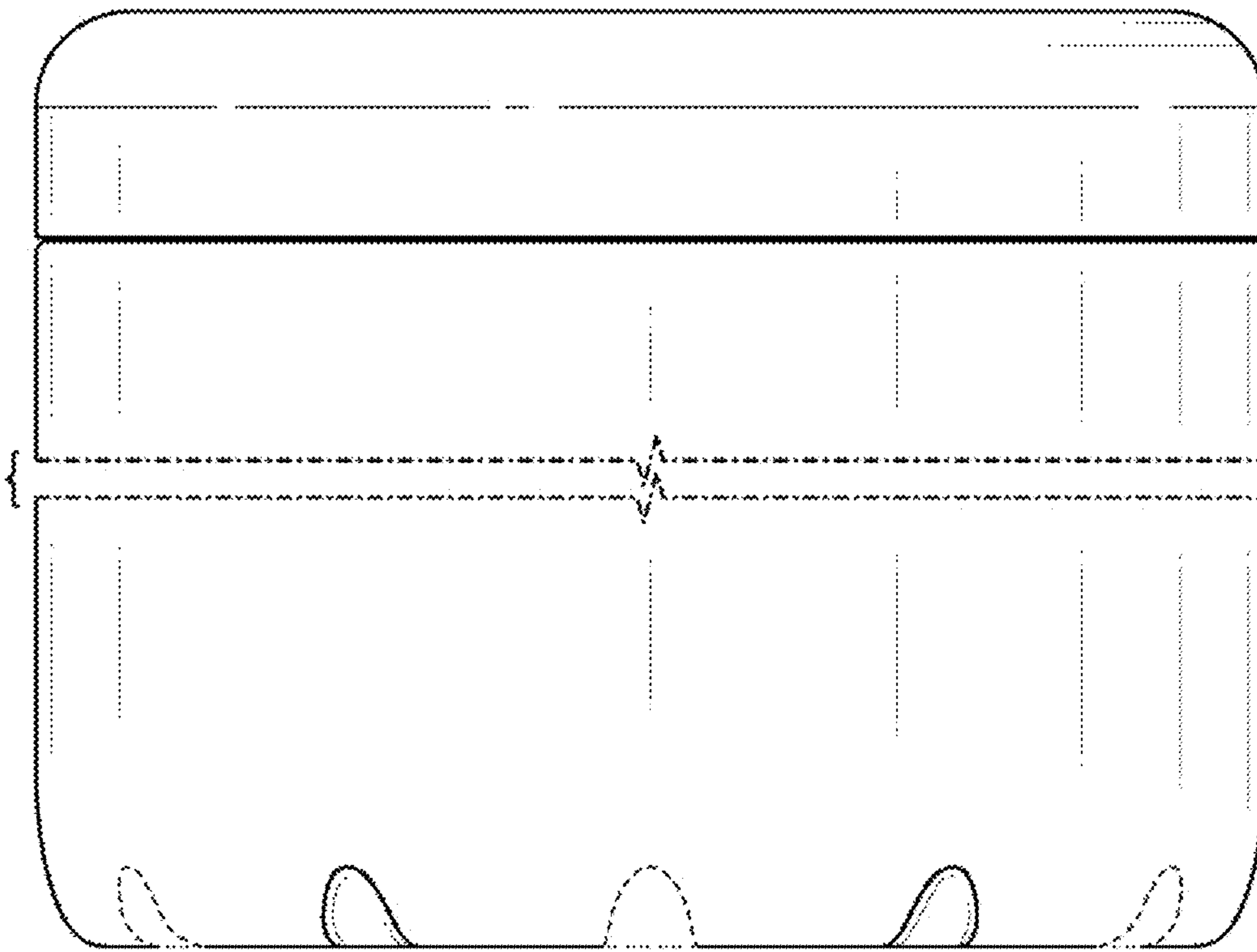


FIG. 4

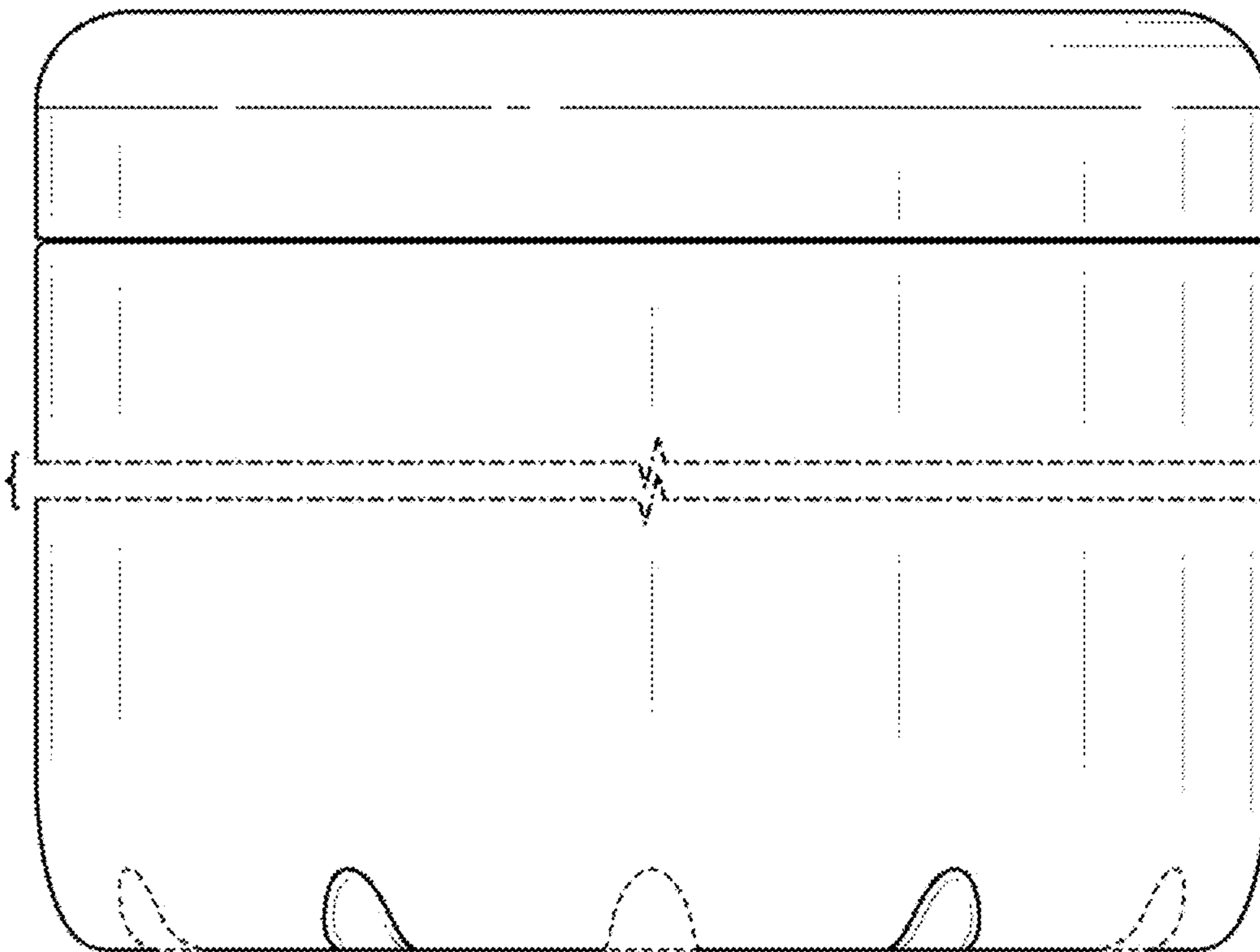


FIG. 5

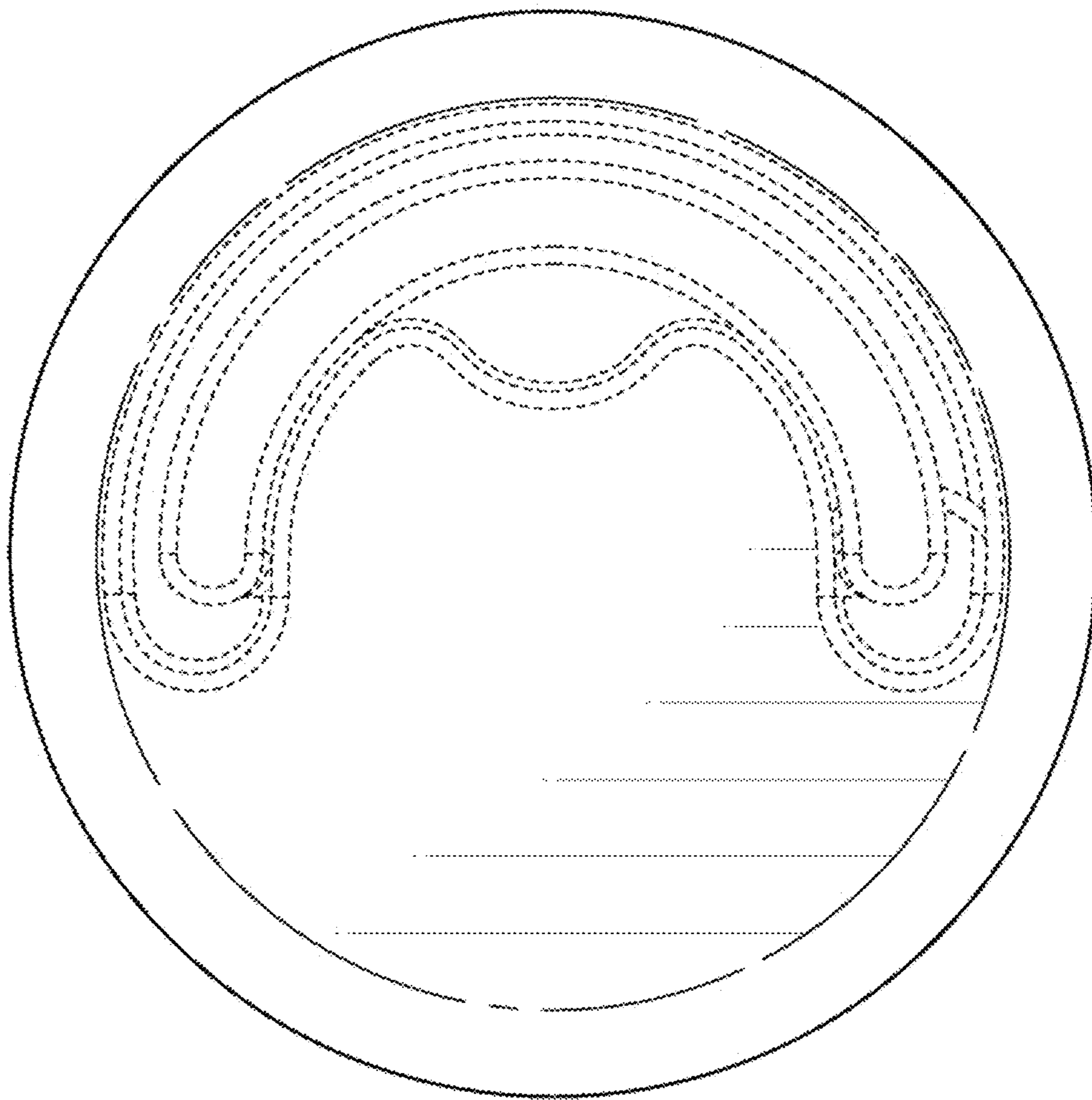


FIG. 6

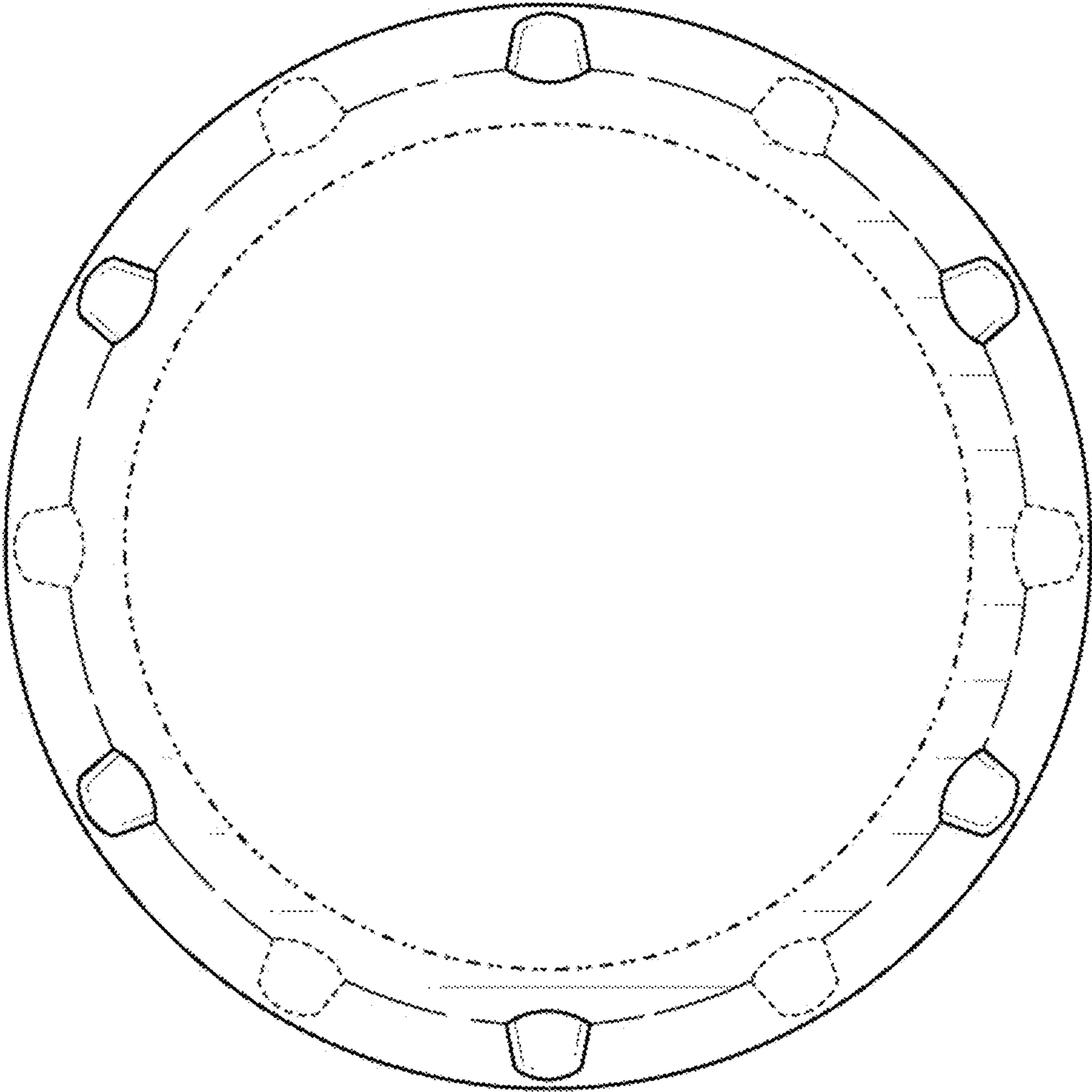


FIG. 7

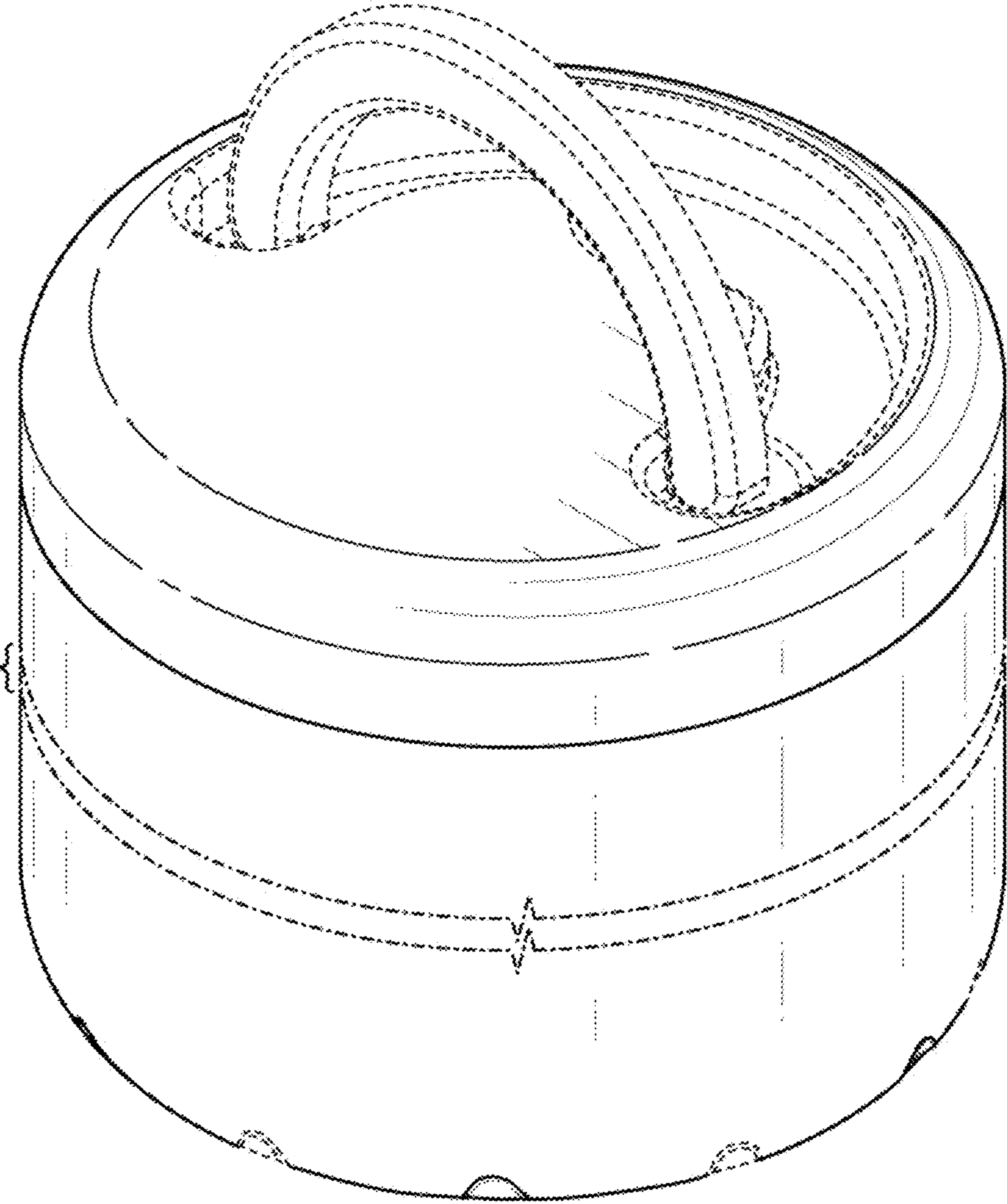


FIG. 8