



US00D881652S

(12) **United States Design Patent**  
**Repko**

(10) **Patent No.:** **US D881,652 S**  
(45) **Date of Patent:** **\*\* Apr. 21, 2020**

- (54) **SPICE RACK**
- (71) Applicant: **Veyes LLC**, Indianapolis, IN (US)
- (72) Inventor: **Mark Allen Repko**, Indianapolis, IN (US)
- (73) Assignee: **Veyes LLC**, Indianapolis, IN (US)
- (\*\*) Term: **15 Years**
- (21) Appl. No.: **29/666,156**
- (22) Filed: **Oct. 10, 2018**
- (51) **LOC (12) Cl.** ..... **07-99**
- (52) **U.S. Cl.**  
USPC ..... **D7/600.4**
- (58) **Field of Classification Search**  
USPC ..... D7/600.4, 600.1, 590  
CPC ..... A47J 47/16; A47B 81/00; A47F 7/002;  
A47F 7/00; A47F 5/13; A47F 5/01  
See application file for complete search history.

D584,056 S *	1/2009	Ghiorghie .....	D3/304
D650,203 S *	12/2011	Klein .....	D6/677.1
D675,849 S *	2/2013	Tawil .....	D6/705.6
D699,987 S *	2/2014	Angvall .....	D6/675.5
D739,681 S *	9/2015	Bee .....	D7/600.4
D747,629 S *	1/2016	Goodman .....	D7/600.4
D752,906 S *	4/2016	Gunderson .....	D6/675.1
D753,939 S *	4/2016	Tsai .....	D6/678.4
D756,177 S *	5/2016	Tsai .....	D6/681
D769,074 S *	10/2016	Tsai .....	D28/61
D772,016 S *	11/2016	Tsai .....	D6/675.2
D781,621 S *	3/2017	Nava .....	D6/675.2
D785,979 S *	5/2017	Snider .....	D6/675.1
2006/0283817 A1 *	12/2006	Yang .....	A47L 19/04 211/41.4

\* cited by examiner

*Primary Examiner* — Cynthia R Underwood  
(74) *Attorney, Agent, or Firm* — Faegre Drinker Biddle & Reath LLP

(57) **CLAIM**

The ornamental design for a spice rack, as shown and described.

(56) **References Cited**

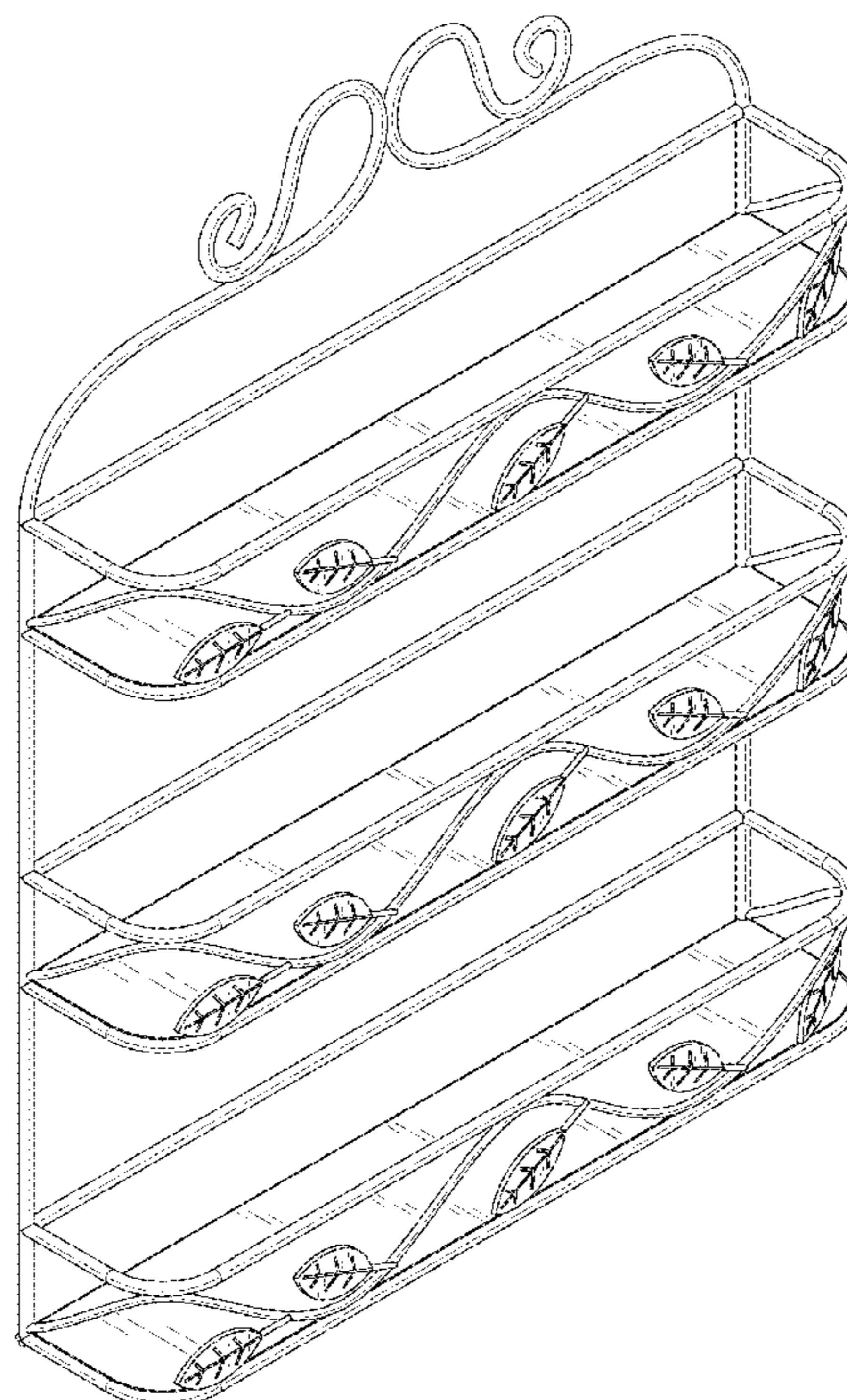
U.S. PATENT DOCUMENTS

D429,435 S *	8/2000	Walters-Dowding .....	D6/566
D437,165 S *	2/2001	Goodman .....	D7/600.4
D452,533 S *	12/2001	Goodman .....	D19/90
D547,094 S *	7/2007	Klein .....	D6/705.6
D556,475 S *	12/2007	Butler .....	D6/675.2
D556,476 S *	12/2007	Butler .....	D6/675.2
D568,657 S *	5/2008	Snider .....	A47K 3/281 D6/525
D575,087 S *	8/2008	Ghiorghie .....	A47K 3/281 D6/525

**DESCRIPTION**

FIG. 1 is a front perspective view of a spice rack showing my new design;  
FIG. 2 is a front view thereof;  
FIG. 3 is a back view thereof;  
FIG. 4 is a left side view thereof;  
FIG. 5 is a right side view thereof;  
FIG. 6 is a top view thereof; and,  
FIG. 7 is a bottom view thereof.

**1 Claim, 5 Drawing Sheets**



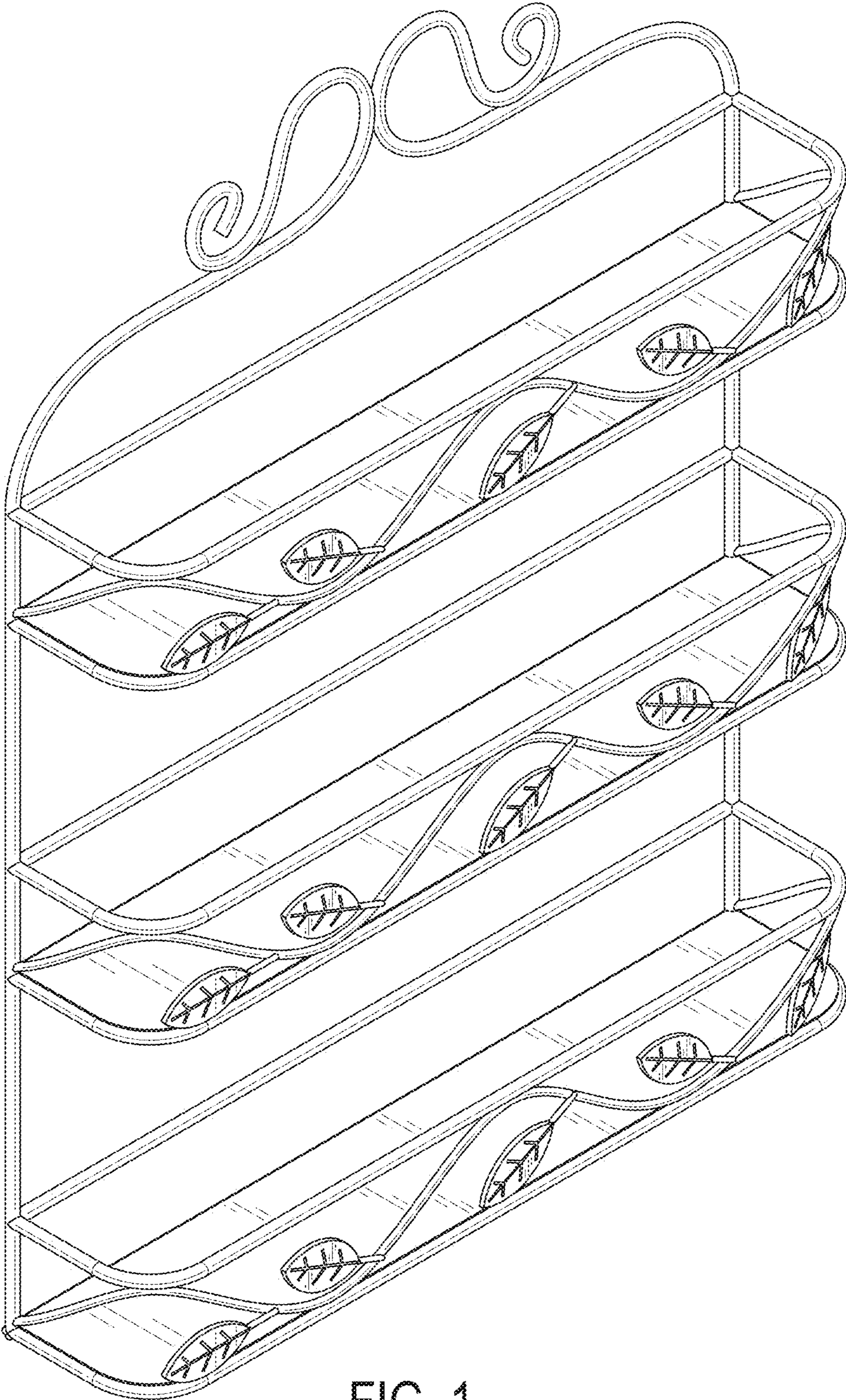


FIG. 1

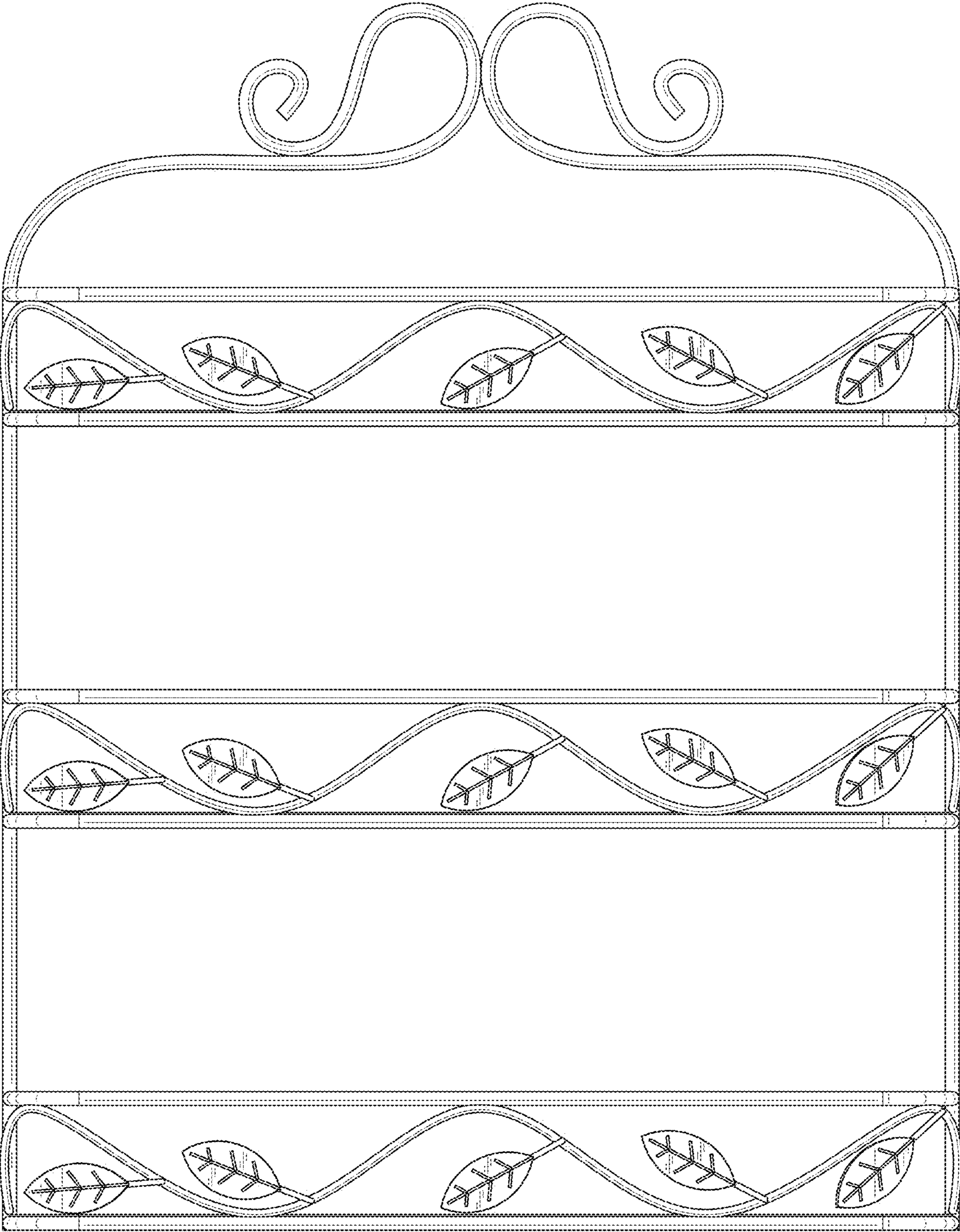


FIG. 2

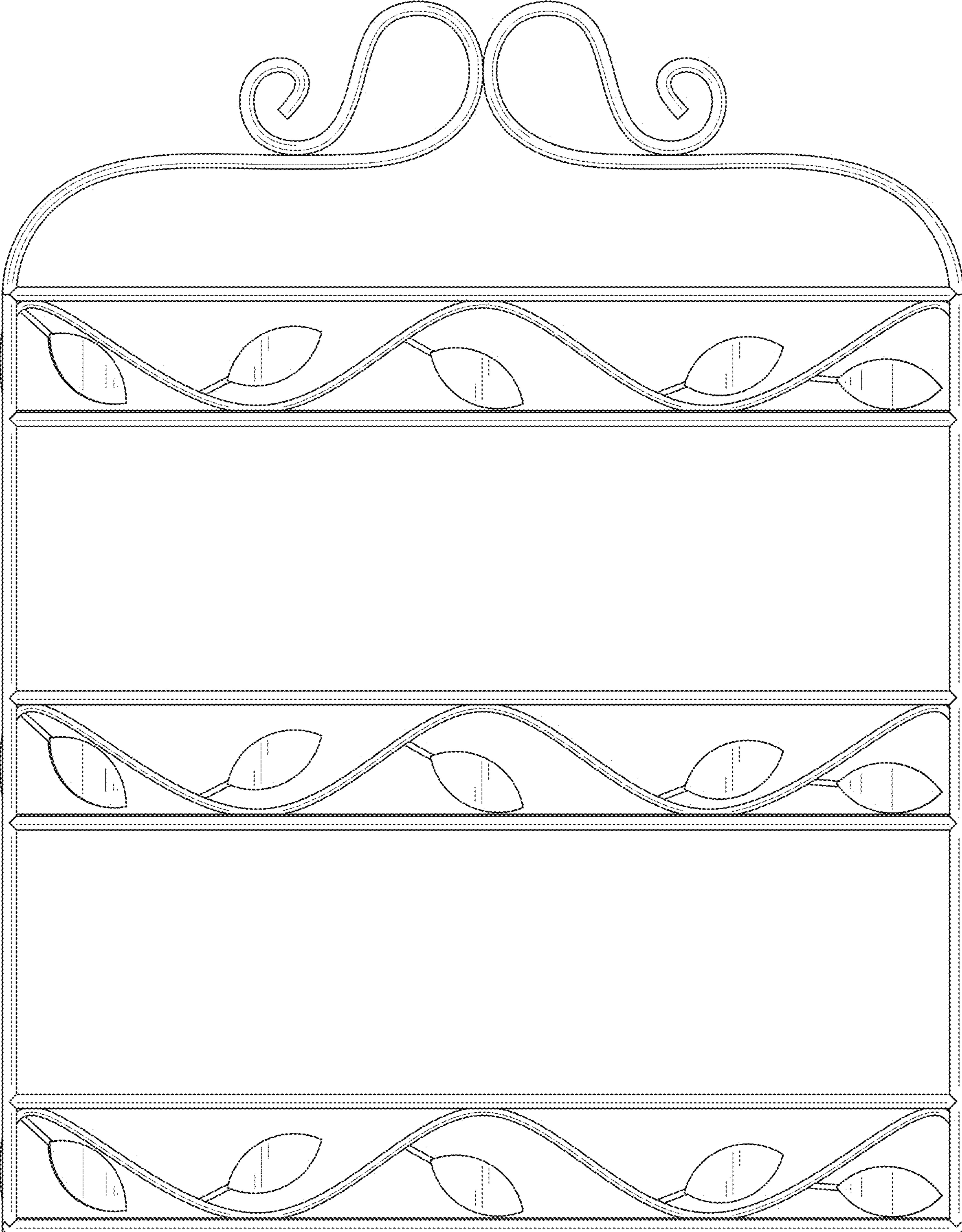


FIG. 3

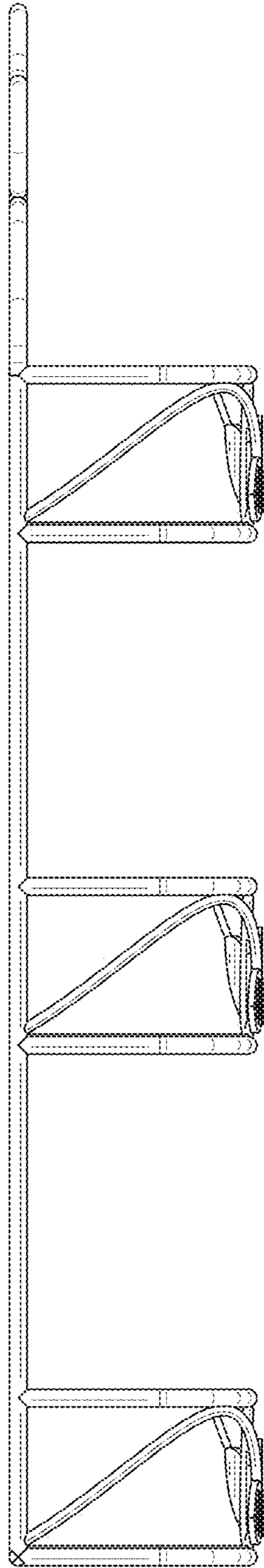


FIG. 4

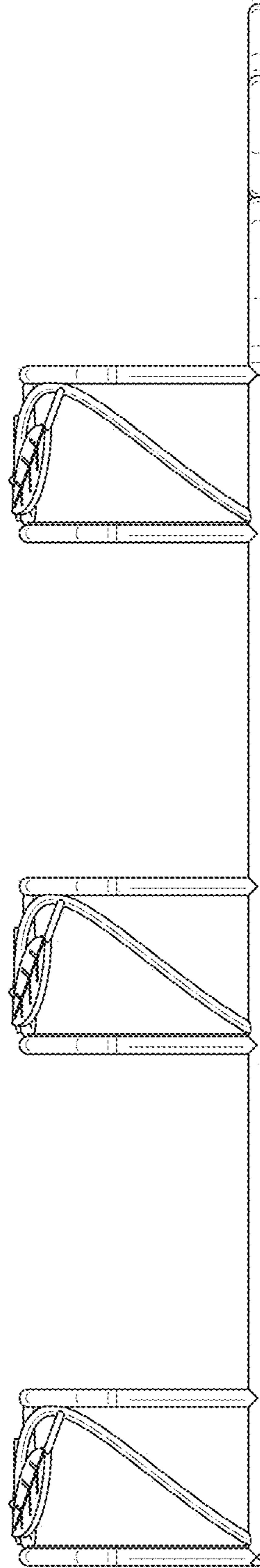


FIG. 5

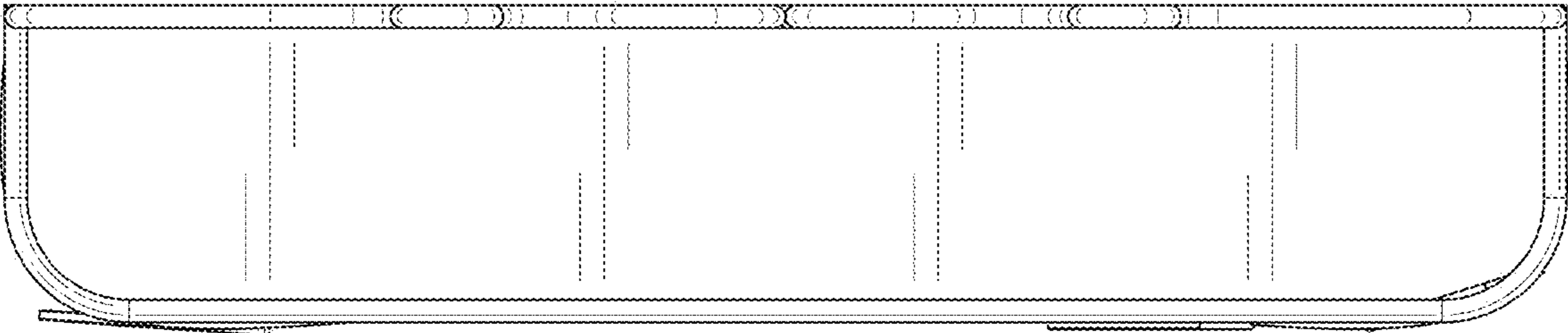


FIG. 6

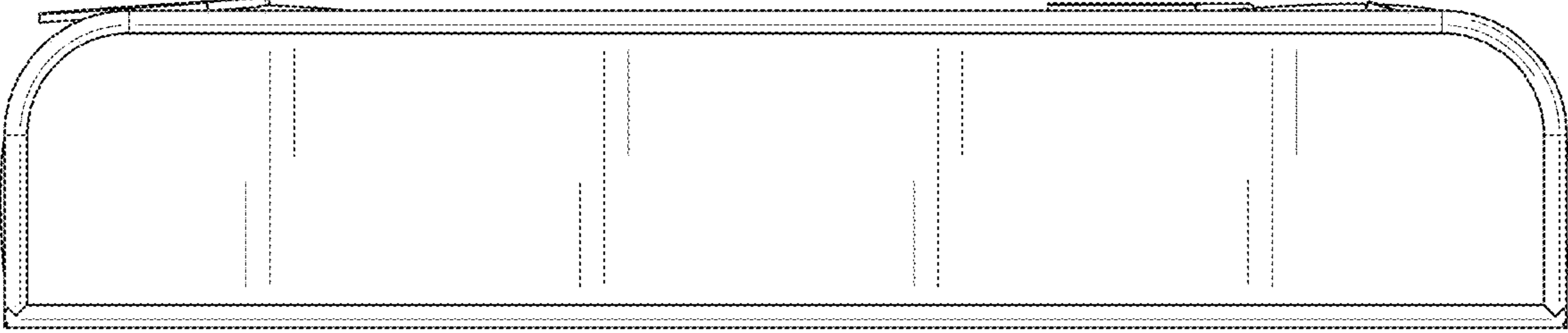


FIG. 7