



US00D881651S

(12) **United States Design Patent**
Hirschhorn

(10) **Patent No.:** **US D881,651 S**

(45) **Date of Patent:** **** Apr. 21, 2020**

(54) **DECANTER AND BASE**

D680,295 S * 4/2013 Pennington D99/28
D818,321 S * 5/2018 Bodum D7/598
D868,542 S * 12/2019 Larsen D7/598

(71) Applicant: **Liran Hirschhorn**, West Hempstead,
NY (US)

(72) Inventor: **Liran Hirschhorn**, West Hempstead,
NY (US)

(**) Term: **15 Years**

(21) Appl. No.: **29/669,181**

(22) Filed: **Nov. 6, 2018**

(51) **LOC (12) Cl.** **07-06**

(52) **U.S. Cl.**
USPC **D7/598**; D9/544

(58) **Field of Classification Search**
USPC D7/301, 302, 306, 590, 598; D9/455,
D9/544-546; D19/61

CPC A47G 23/0241; G09B 1/00
See application file for complete search history.

(56) **References Cited**

U.S. PATENT DOCUMENTS

2,379,468 A	7/1945	Arnold	
D220,792 S *	5/1971	Benson	D9/649
D376,291 S	12/1996	Via et al.	
D458,967 S *	6/2002	Ho	D19/59
D547,376 S *	7/2007	Pachler	D19/61
D561,043 S	2/2008	Lepoitevin	
D587,057 S	2/2009	Mandel	
D631,365 S	1/2011	Deboer	
D652,680 S *	1/2012	Straka	D7/300.1

OTHER PUBLICATIONS

Globe and 4 Glasses; <https://whiskyshop.com/globe-and-4-glasses-2960>; Oct. 30, 2018.

U.S. Appl. No. 29/594,784, filed Dec. 31, 2018.

U.S. Appl. No. 29/669,182, filed Dec. 31, 2018.

* cited by examiner

Primary Examiner — Derrick E Holland

Assistant Examiner — Andrew Kerr

(74) *Attorney, Agent, or Firm* — DLA Piper LLP (US)

(57) **CLAIM**

The ornamental design for a decanter and base, as shown and described.

DESCRIPTION

FIG. 1 is a perspective view of a decanter and base showing my new design;

FIG. 2 is a front view thereof;

FIG. 3 is a back view thereof;

FIG. 4 is a right side view thereof;

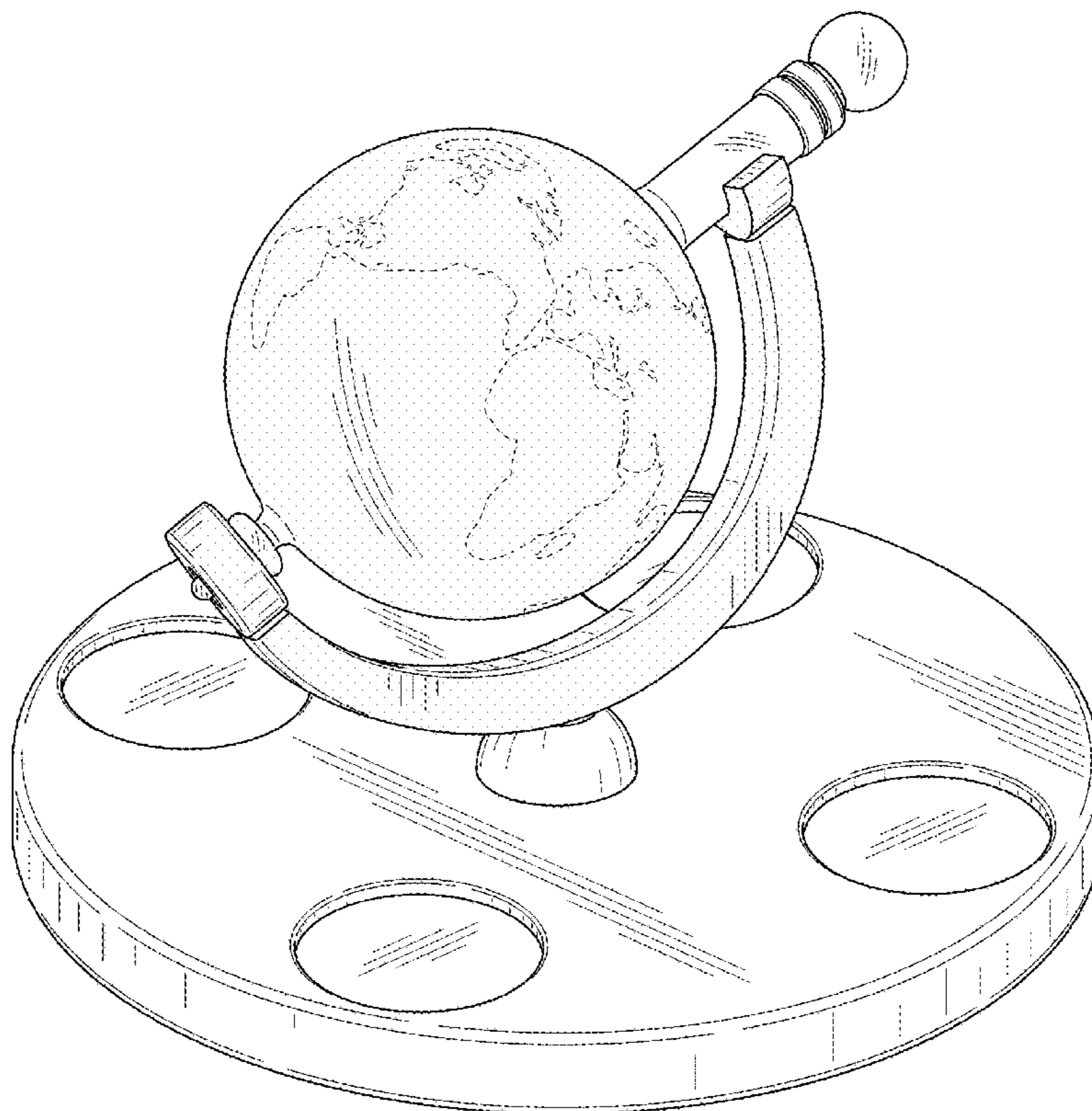
FIG. 5 is a left side view thereof;

FIG. 6 is a top view thereof; and,

FIG. 7 is a bottom view thereof.

The broken lines in the drawings depict portions of the decanter and base that form no part of the claimed design.

1 Claim, 7 Drawing Sheets



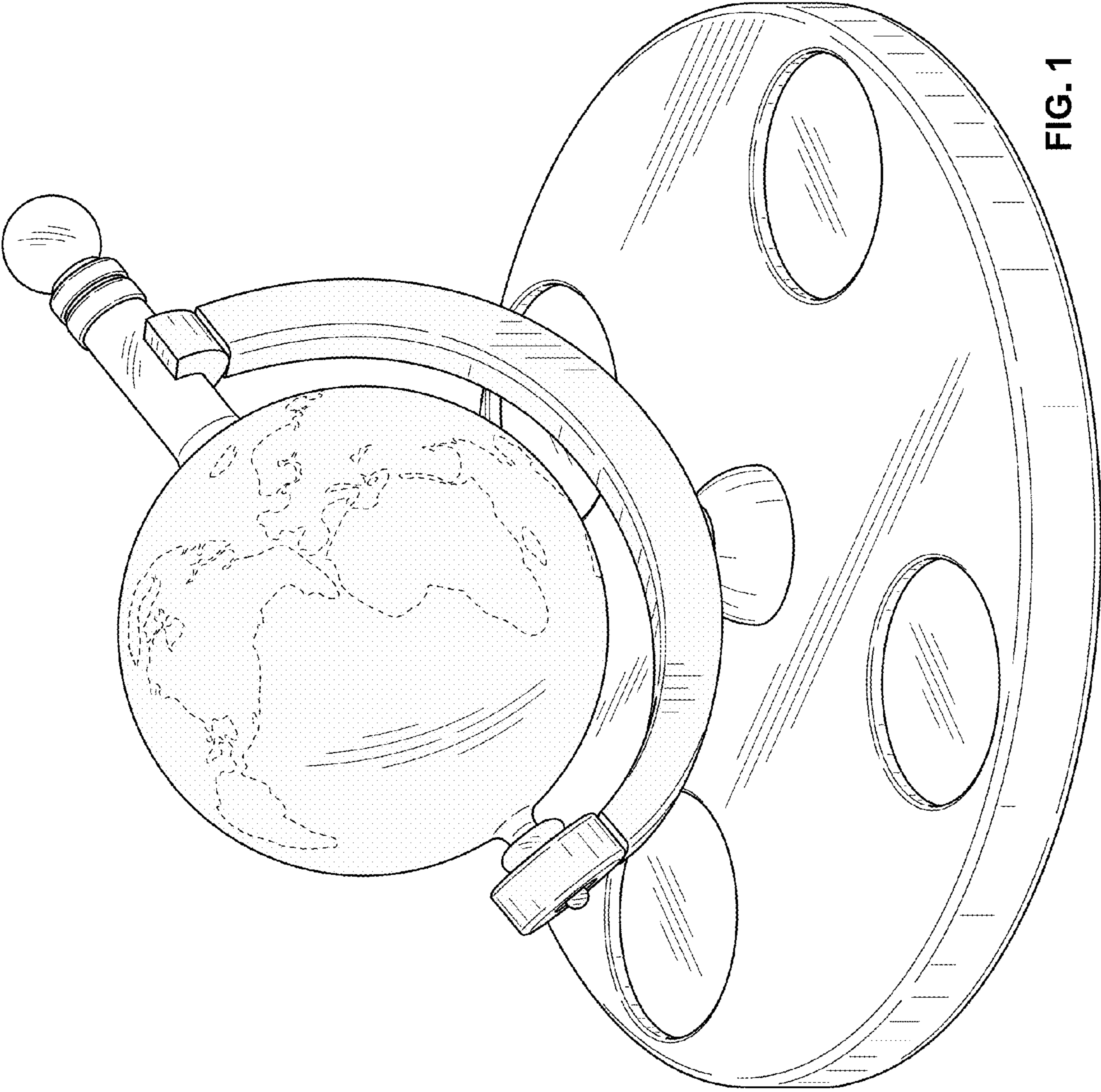


FIG. 1

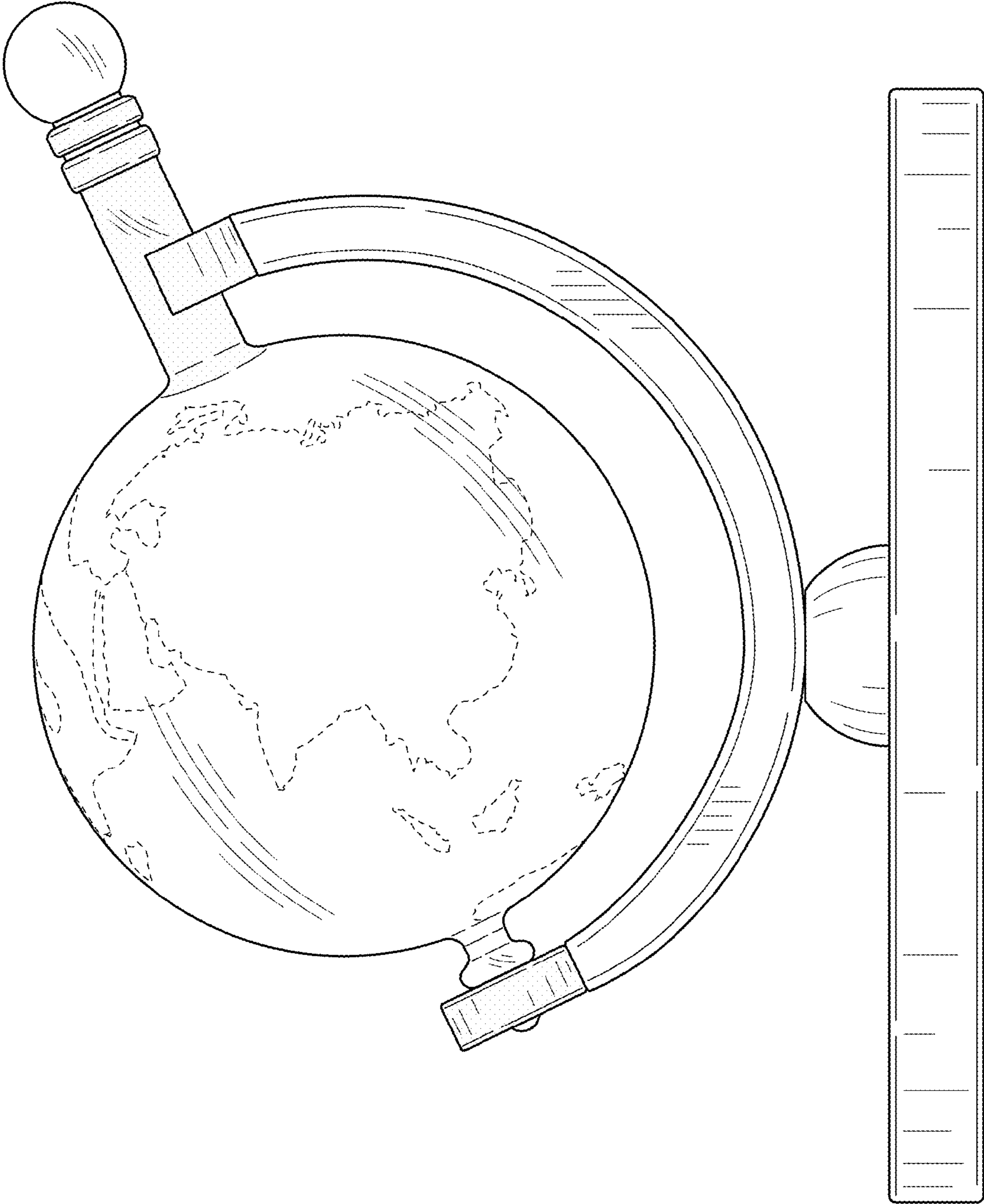


FIG. 2

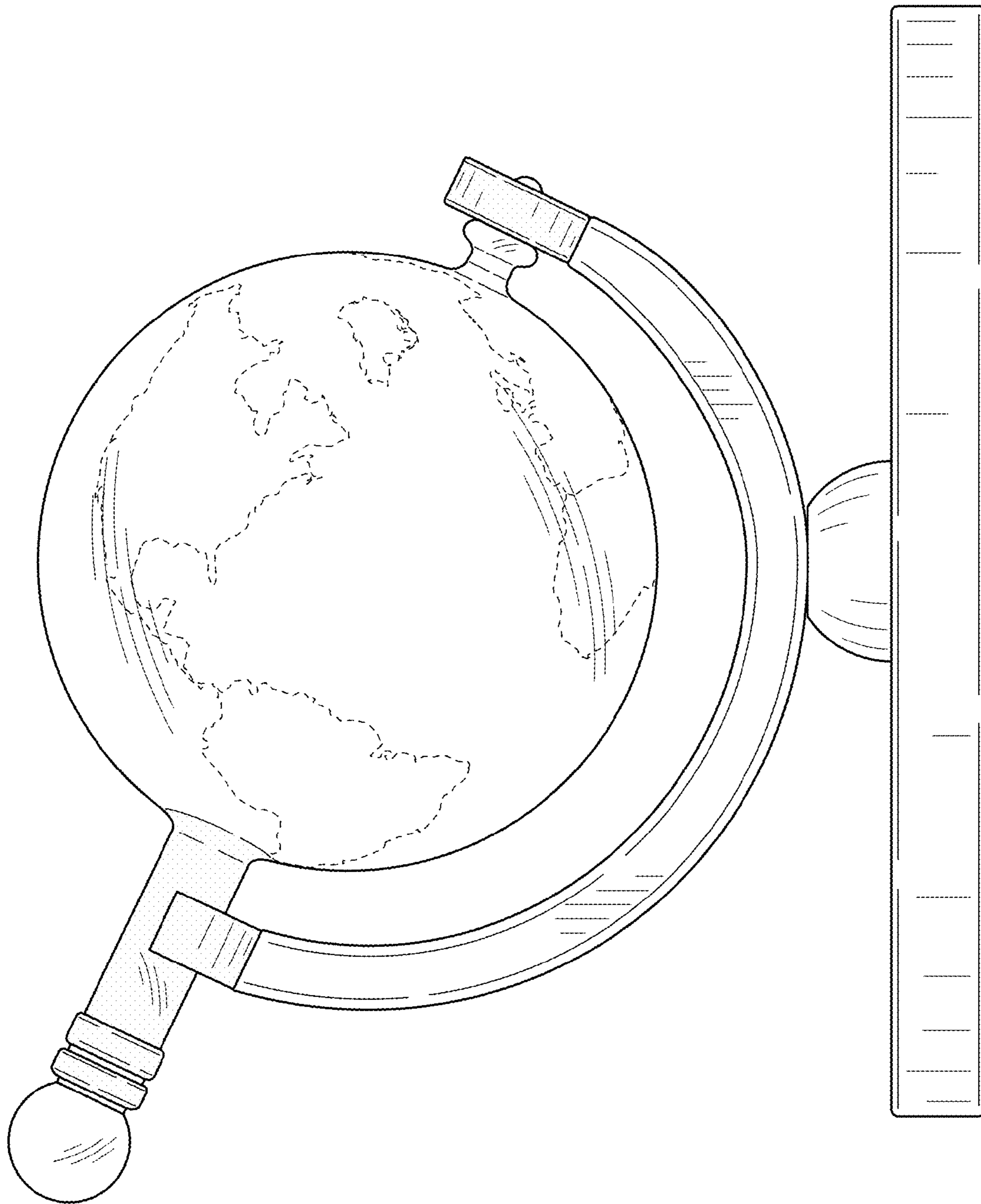


FIG. 3

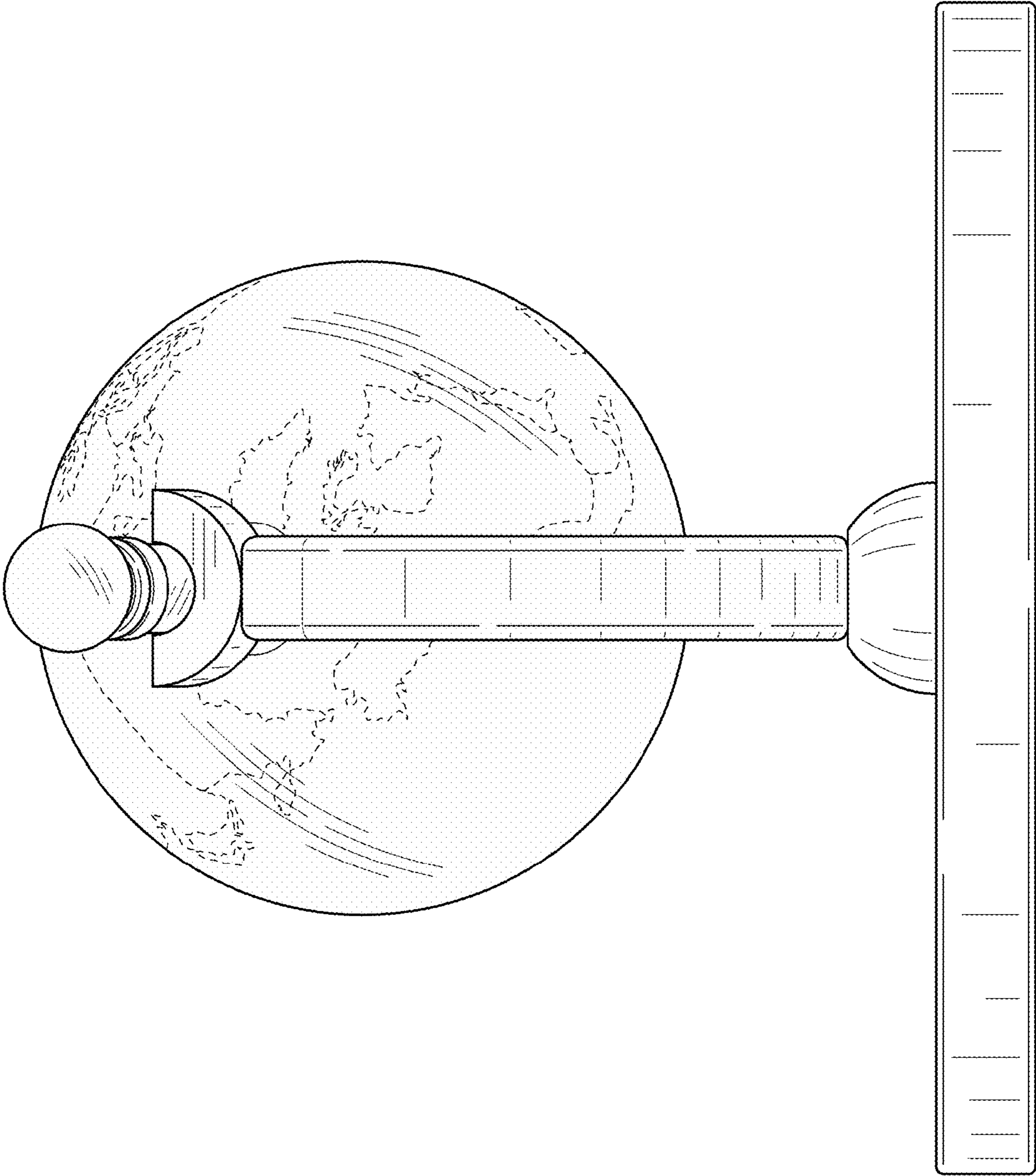


FIG. 4

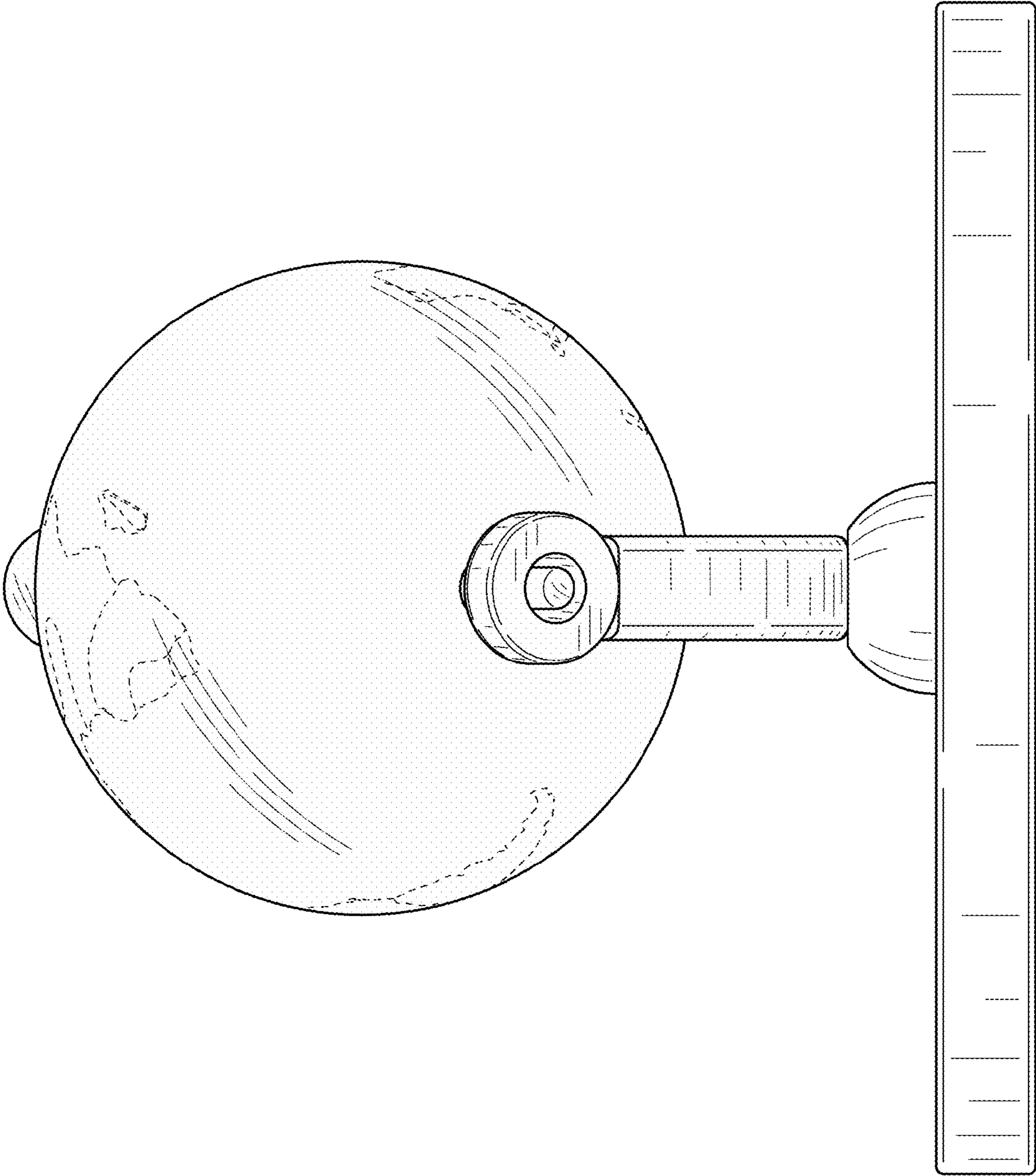


FIG. 5

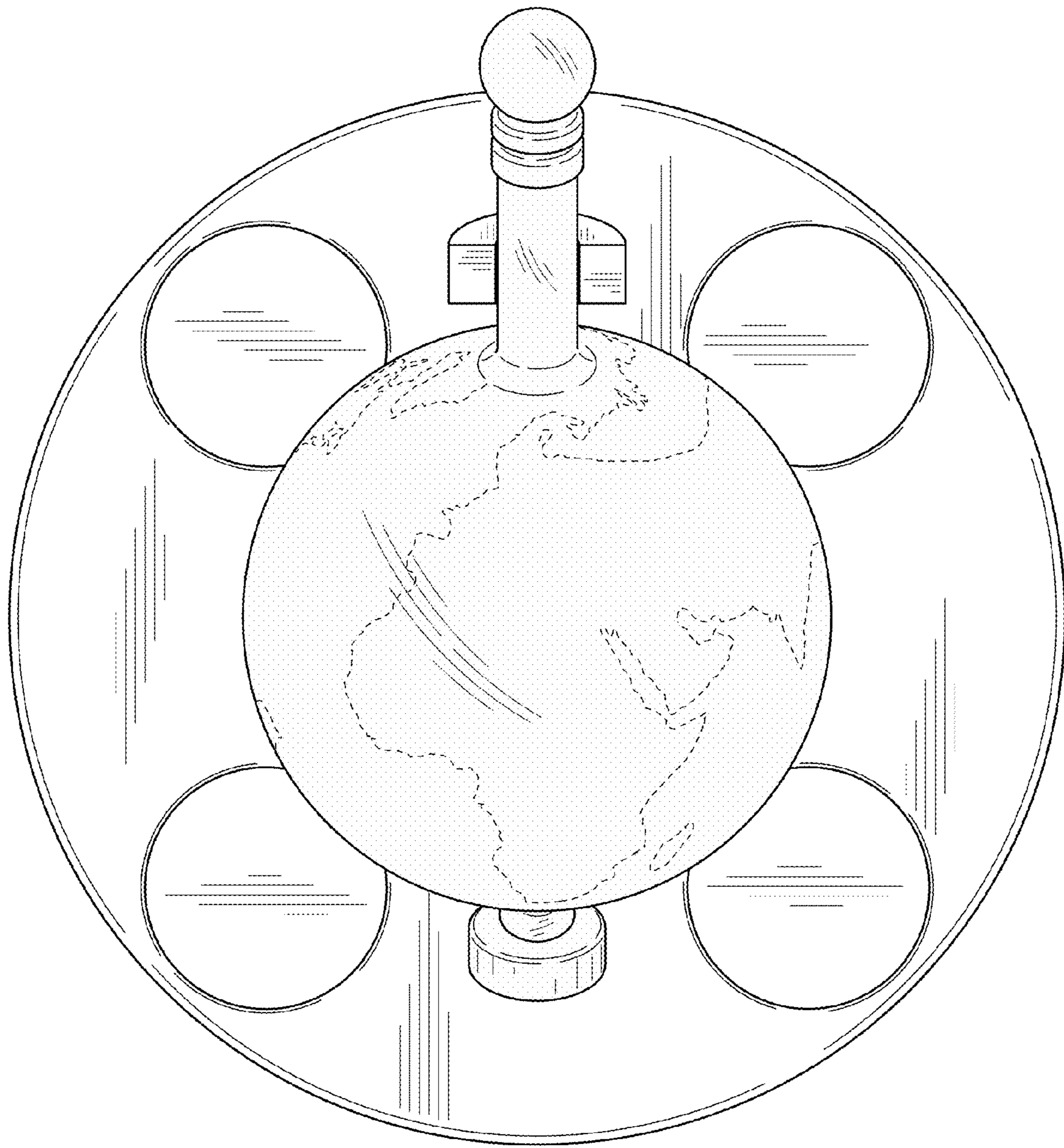


FIG. 6

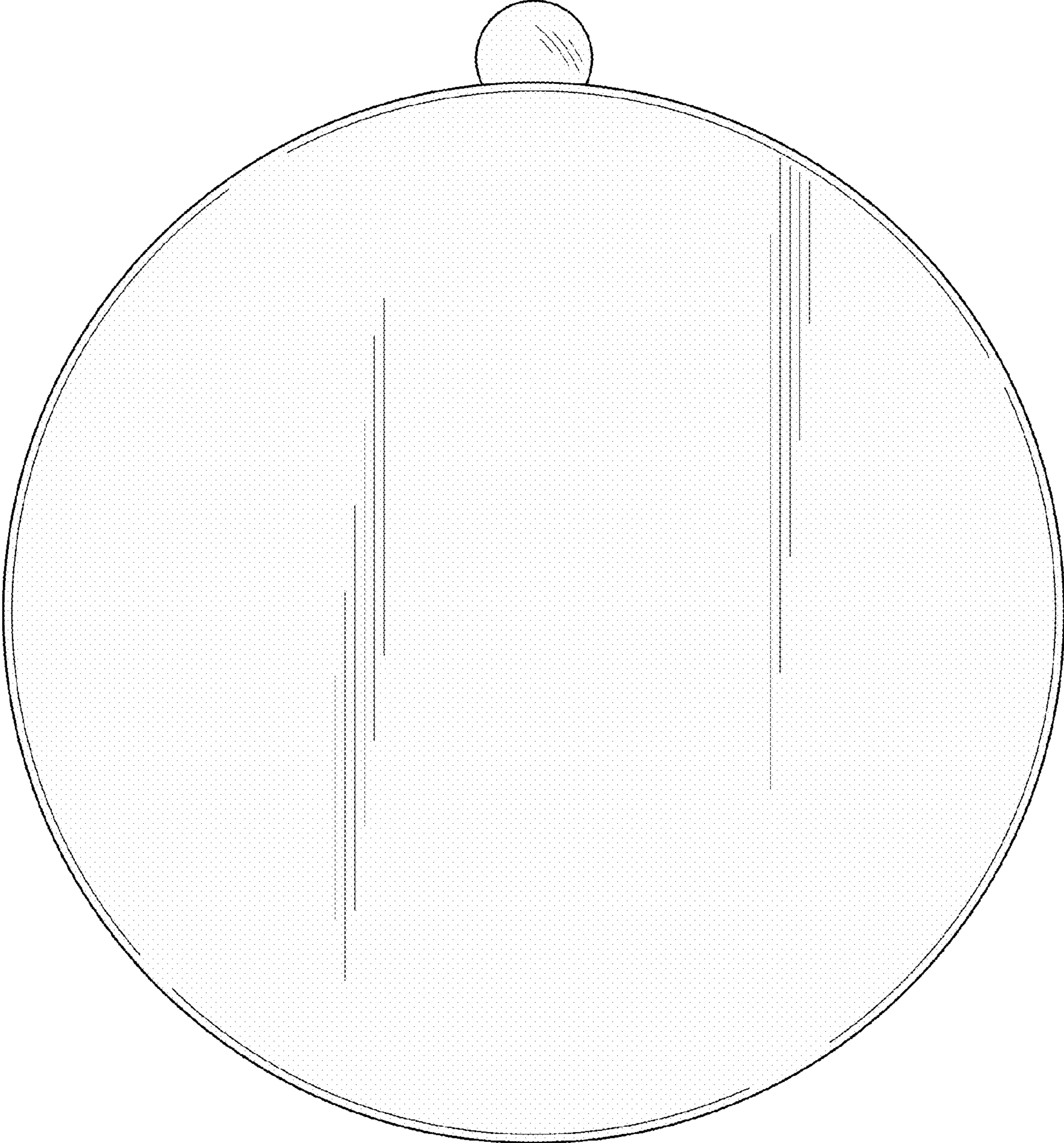


FIG. 7