



US00D881647S

(12) **United States Design Patent**  
**Wang**

(10) **Patent No.:** **US D881,647 S**

(45) **Date of Patent:** **\*\* Apr. 21, 2020**

(54) **WIDE OPENING ONE GALLON WATER BOTTLE**

(71) Applicant: **Qi Wang**, Jiangxi (CN)

(72) Inventor: **Qi Wang**, Jiangxi (CN)

(73) Assignee: **Shen Zhen Quick Fit Plastic Co., Ltd**,  
Shenzhen (CN)

(\*\*) Term: **15 Years**

(21) Appl. No.: **29/662,485**

(22) Filed: **Sep. 6, 2018**

(51) **LOC (12) Cl.** ..... **07-01**

(52) **U.S. Cl.**  
USPC ..... **D7/510; D7/511; D7/536; D9/531**

(58) **Field of Classification Search**  
USPC ..... **D7/507, 509, 510, 511, 529, 531, 532, D7/523, 533, 534, 535, 536, 392.1, 296.1, D7/396.2, 387, 300.1, 591, 688, 665; D9/500, 50, 502, 503, 504, 516, 556, 569, D9/542, 530, 531, 501; D3/202**  
CPC ..... **A47G 19/22; A47G 19/2288; A47G 19/2205; A47G 19/2227; B65D 1/265; A47J 43/27; A45F 3/16**  
See application file for complete search history.

(56) **References Cited**

**U.S. PATENT DOCUMENTS**

D355,367 S \* 2/1995 Rokus ..... D9/531  
D644,065 S \* 8/2011 Llerena ..... D7/300.1

D651,854 S \* 1/2012 Cabados ..... D7/510  
D655,131 S \* 3/2012 Nilsson ..... B65D 47/148  
D7/392.1  
D695,070 S \* 12/2013 Strobel ..... D7/510  
D750,434 S \* 3/2016 Kirkpatrick ..... D7/510  
9,457,934 B1 \* 10/2016 Kirkpatrick ..... A47G 19/2266  
D793,164 S \* 8/2017 Charlton ..... D7/510  
D805,350 S \* 12/2017 Cetera ..... D7/510  
D805,846 S \* 12/2017 Kirkpatrick ..... D7/510  
D816,410 S \* 5/2018 Yu ..... D7/510  
D838,598 S \* 1/2019 Melkonian ..... D9/531

\* cited by examiner

*Primary Examiner* — Jae Liang

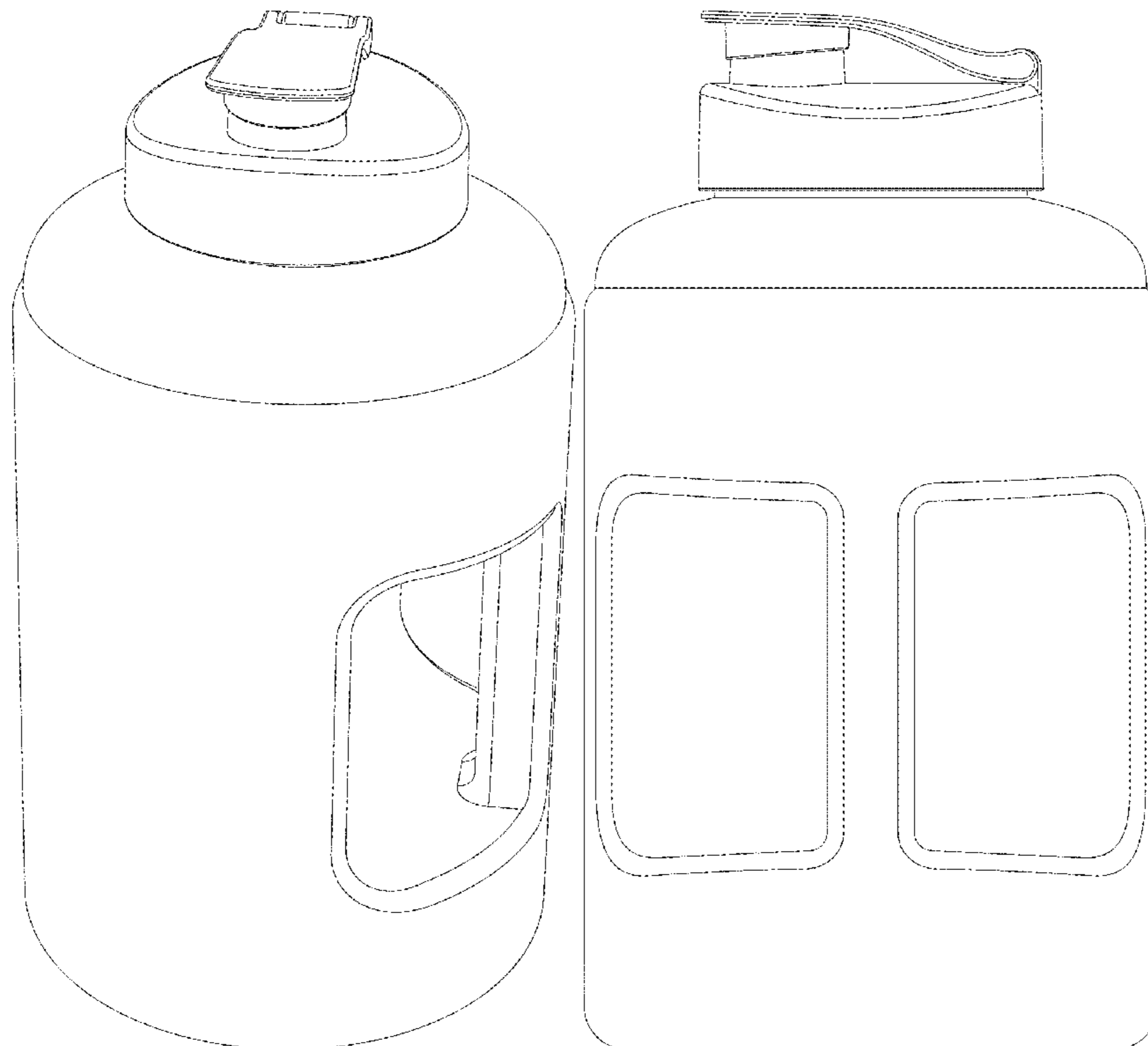
(57) **CLAIM**

The ornamental design for a wide opening one gallon water bottle, as shown and described.

**DESCRIPTION**

FIG. 1 is a perspective view of a wide opening one gallon water bottle showing my new design;  
FIG. 2 is a front elevational view thereof;  
FIG. 3 is a rear elevational view thereof;  
FIG. 4 is a left side elevational view thereof;  
FIG. 5 is a right side elevational view thereof;  
FIG. 6 is a top plan view thereof; and  
FIG. 7 is a bottom plan view thereof.  
FIG. 8 is a perspective view thereof; and,  
FIG. 9 is another perspective view thereof.

**1 Claim, 9 Drawing Sheets**



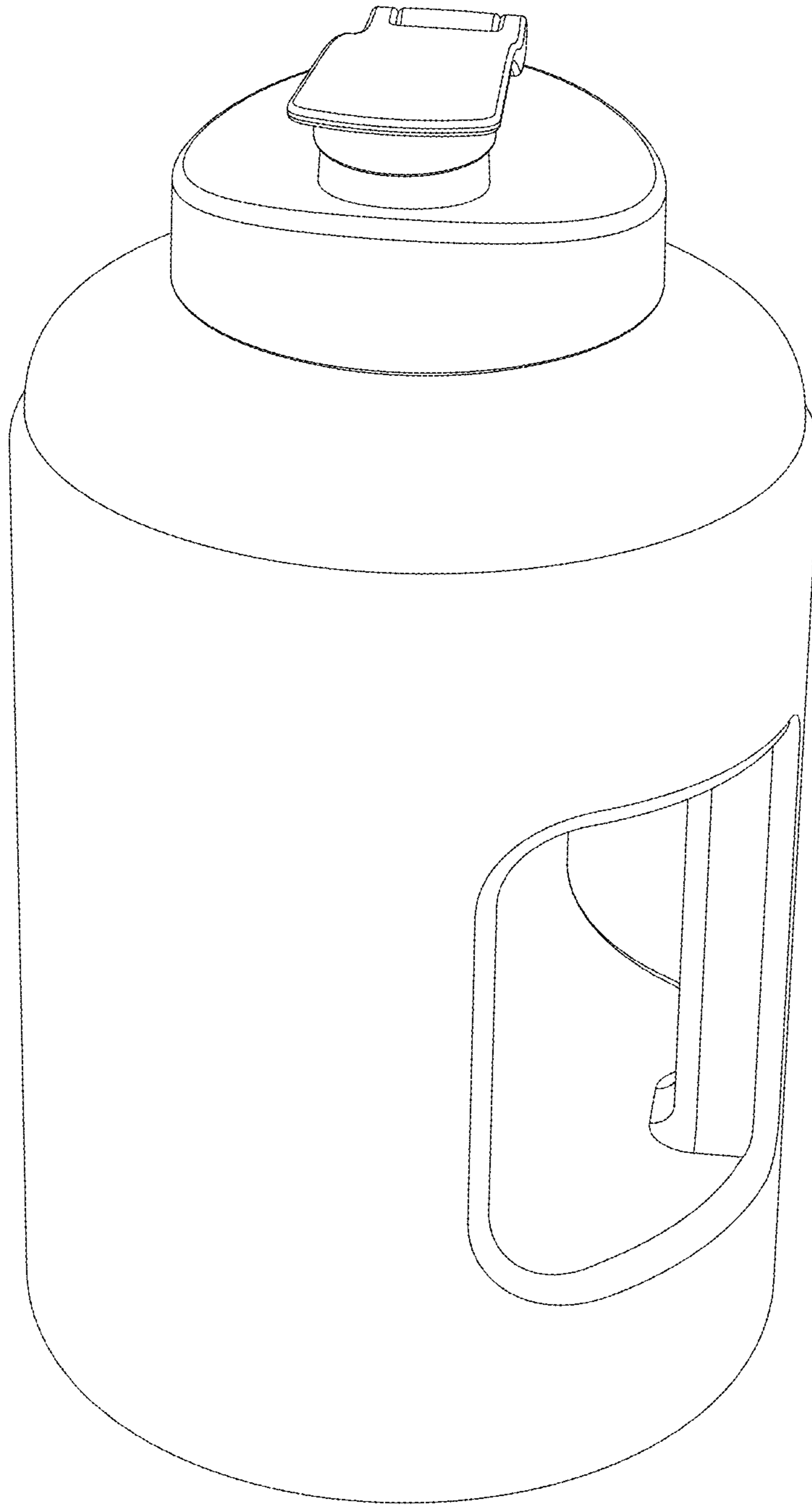


FIG.1

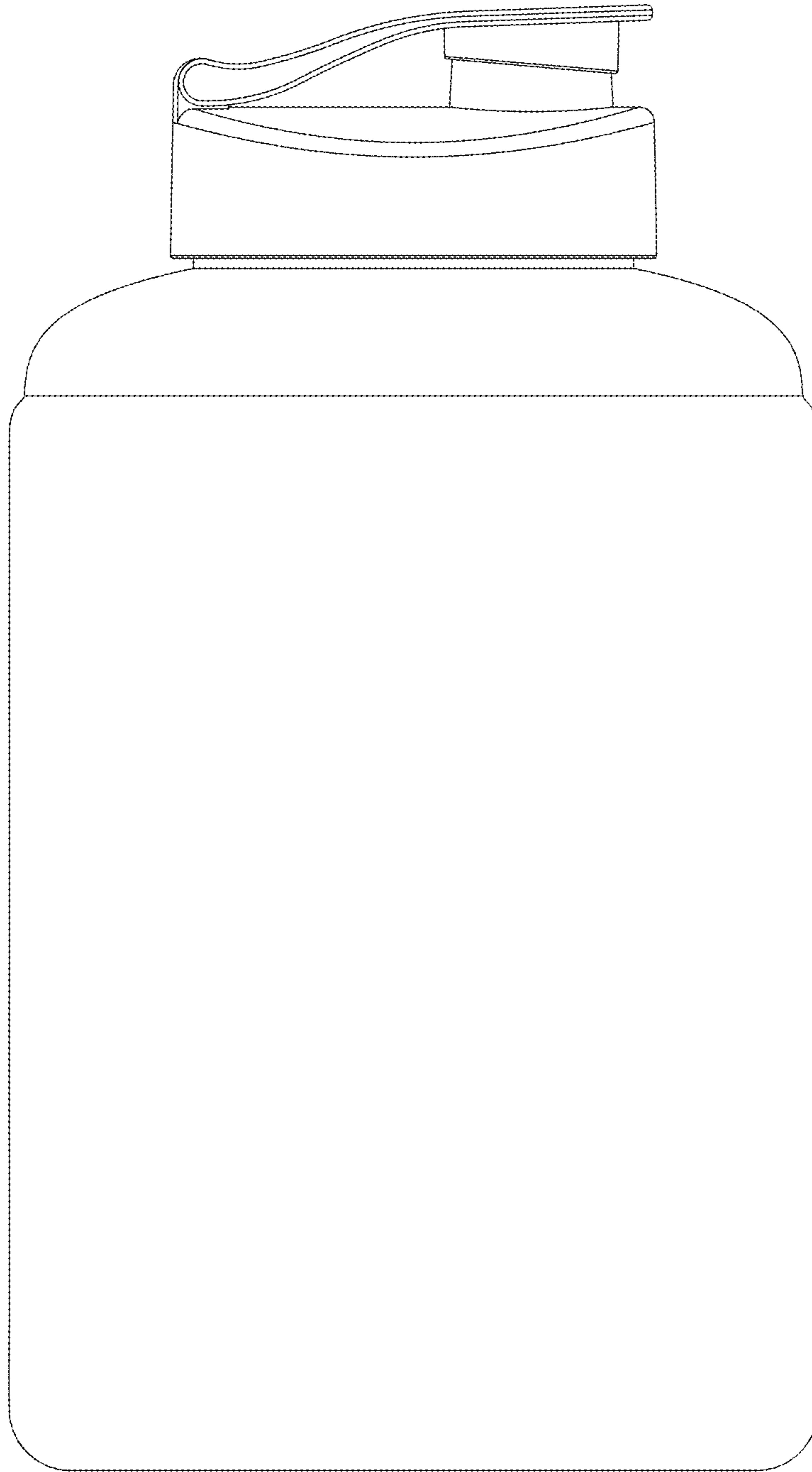


FIG.2

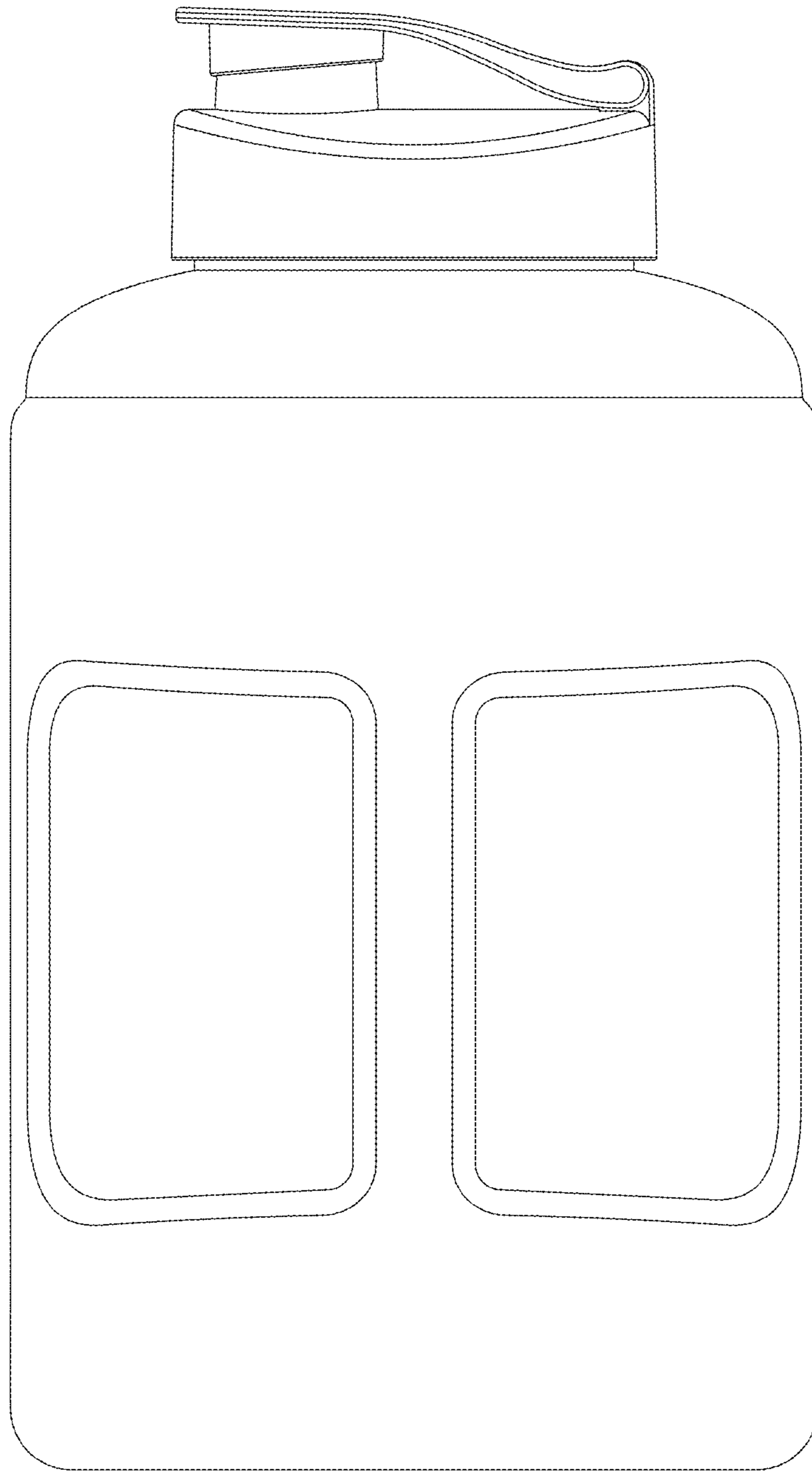


FIG.3

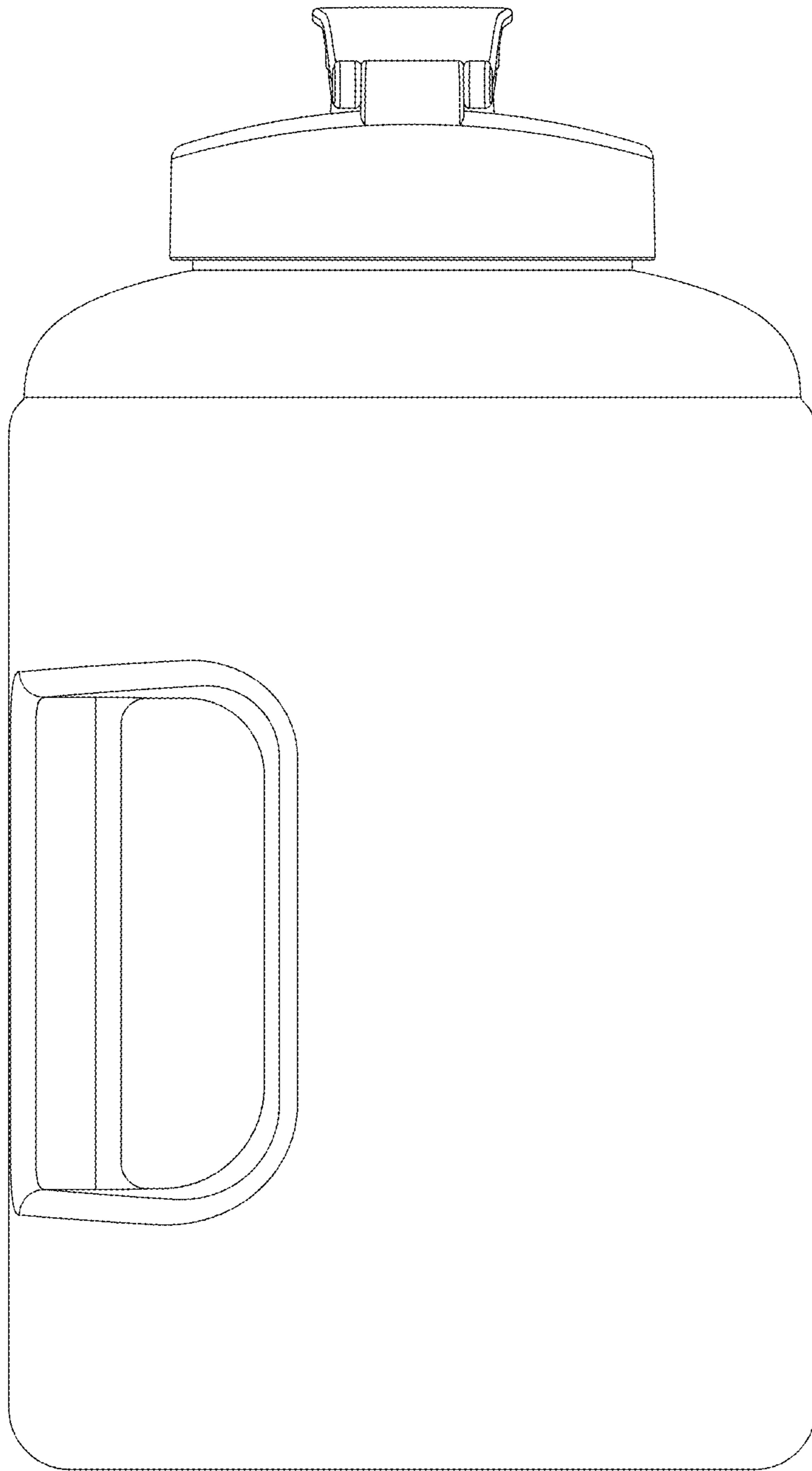


FIG.4

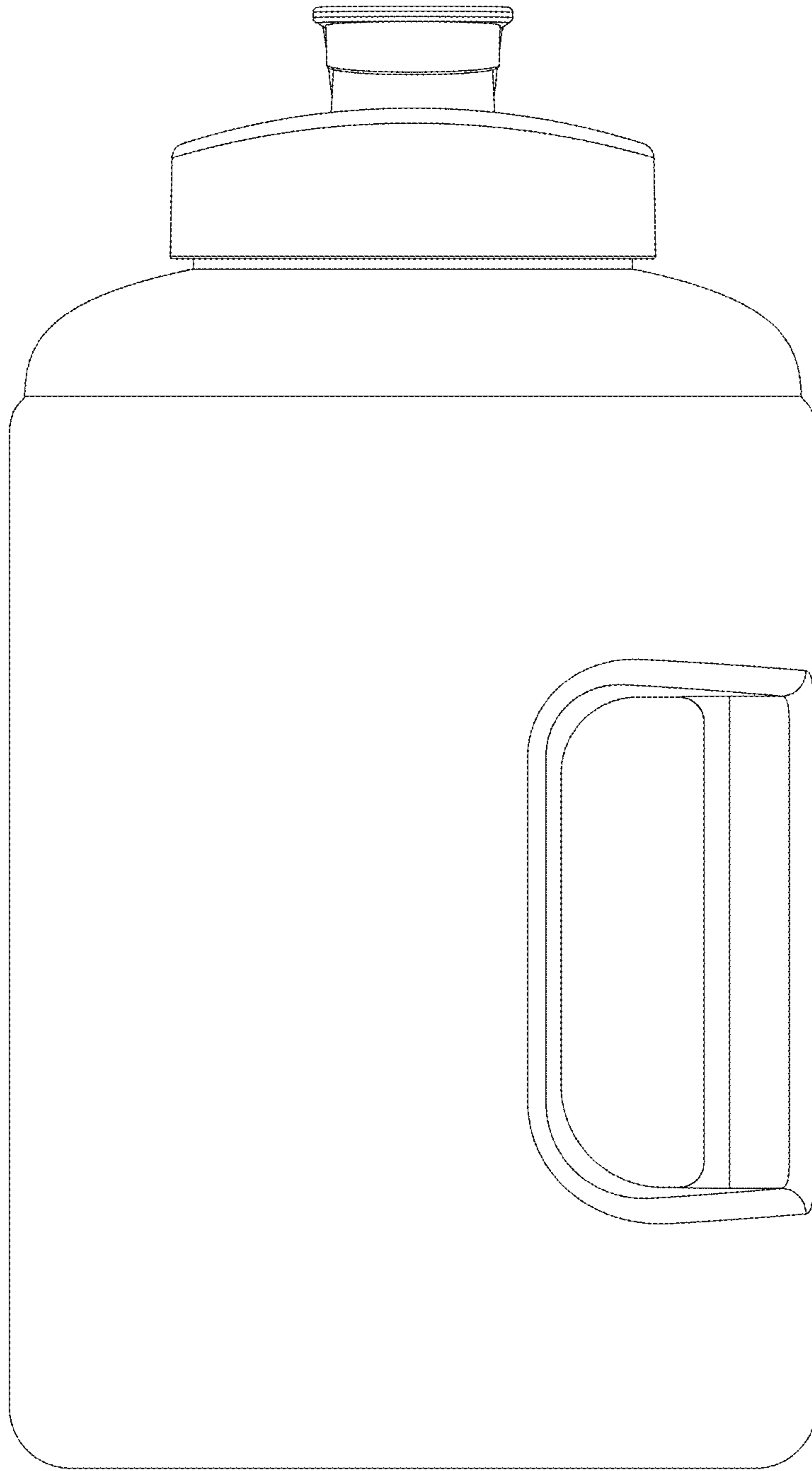


FIG.5

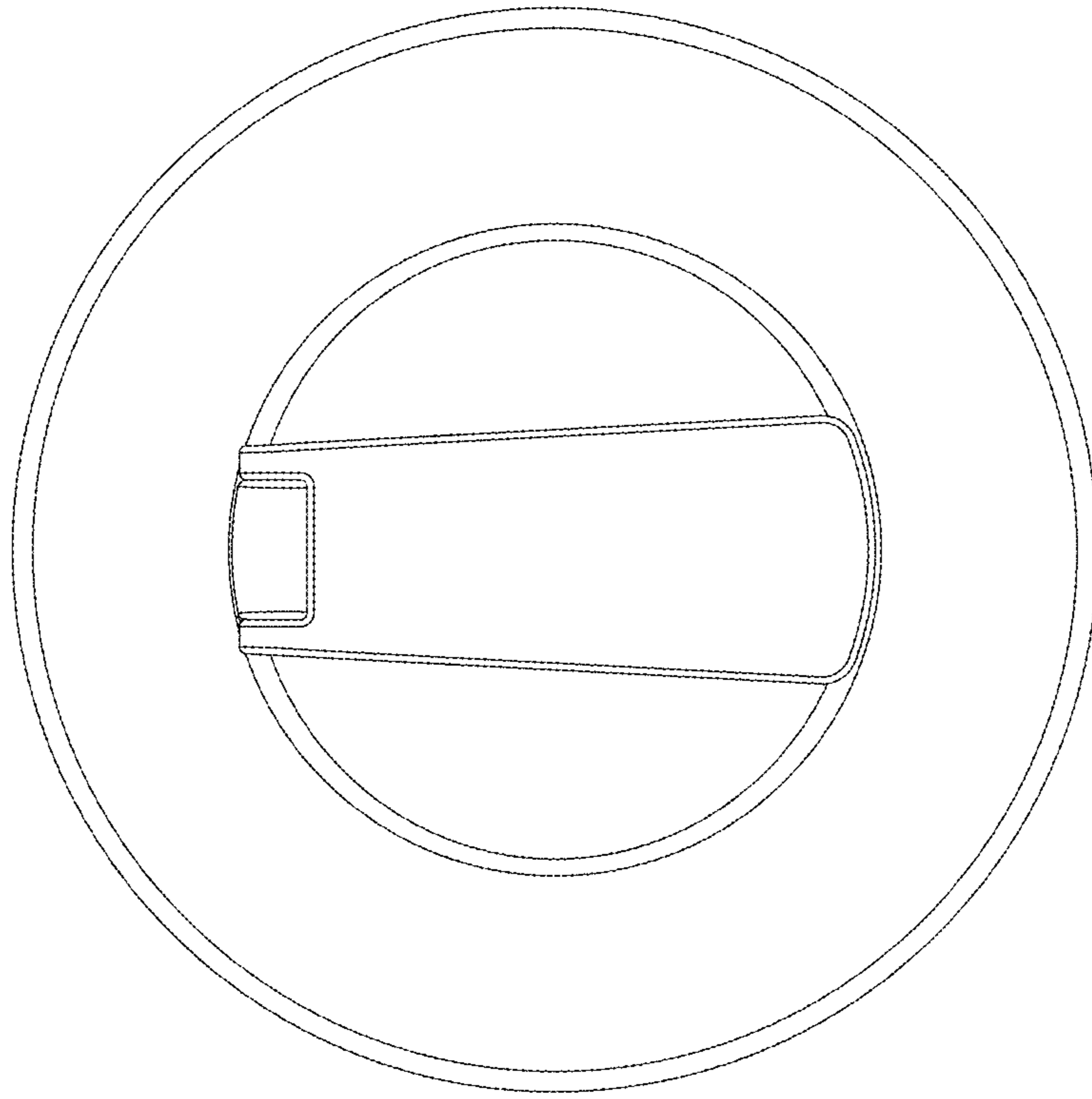


FIG.6

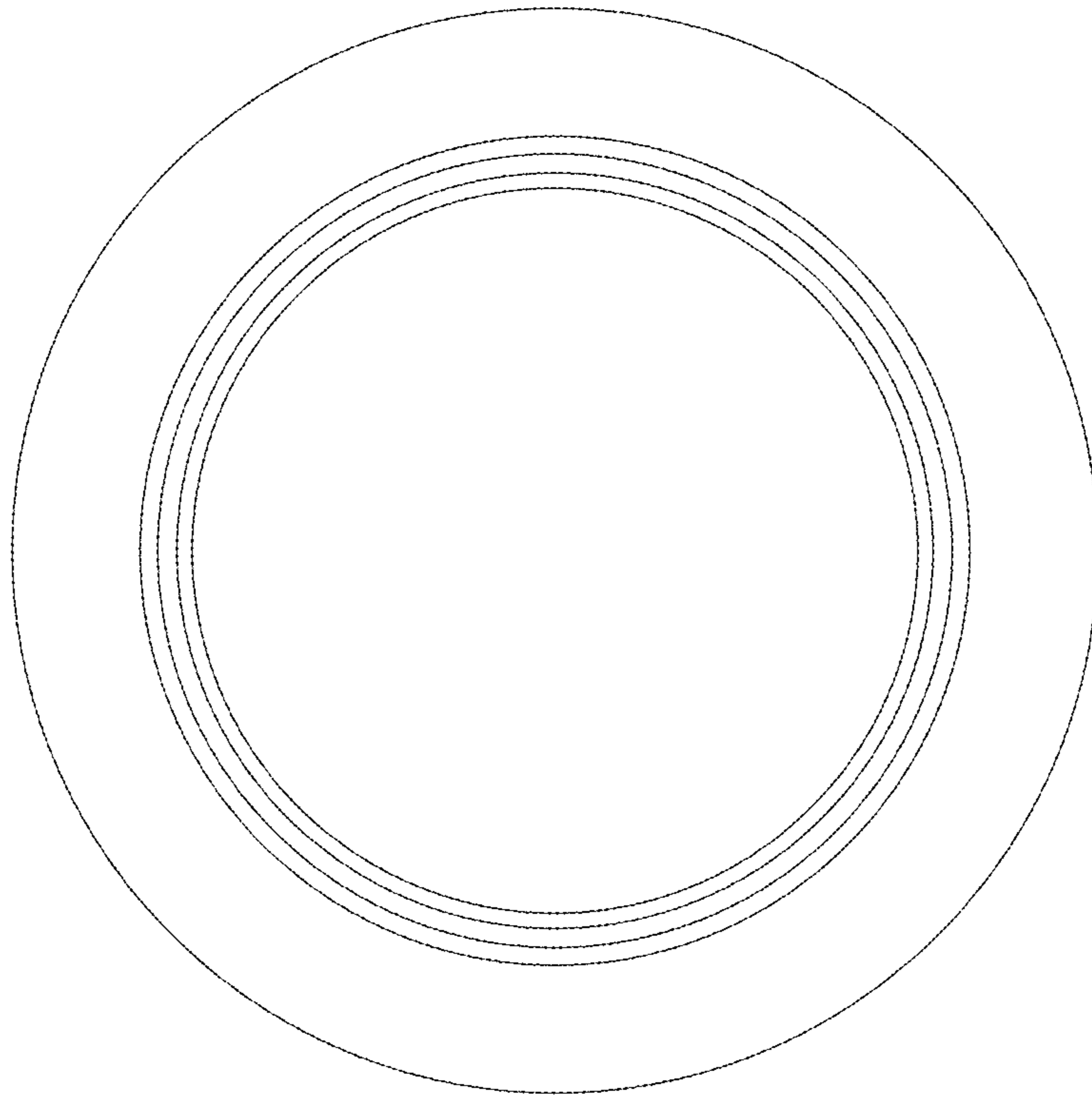


FIG.7



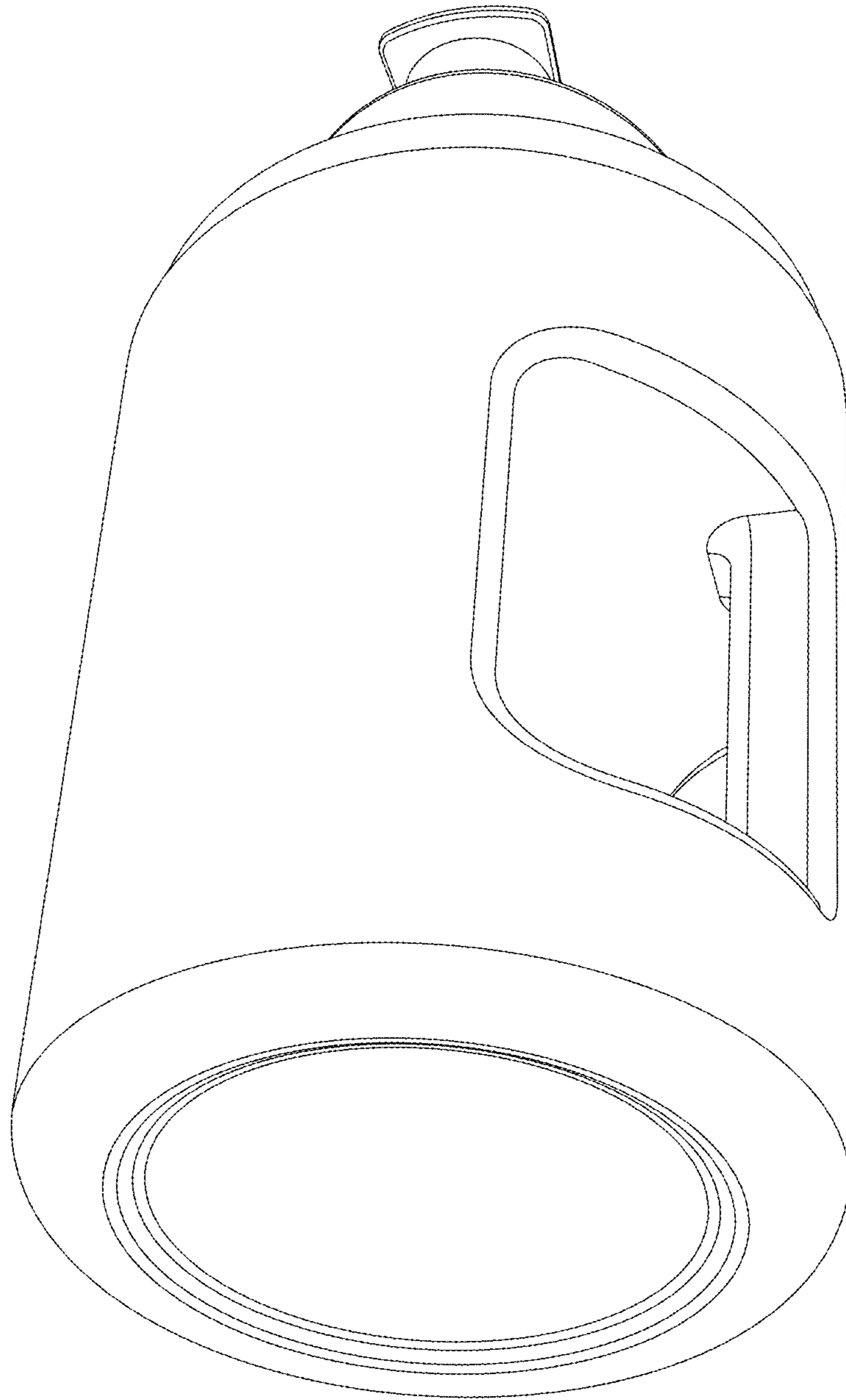


FIG.8

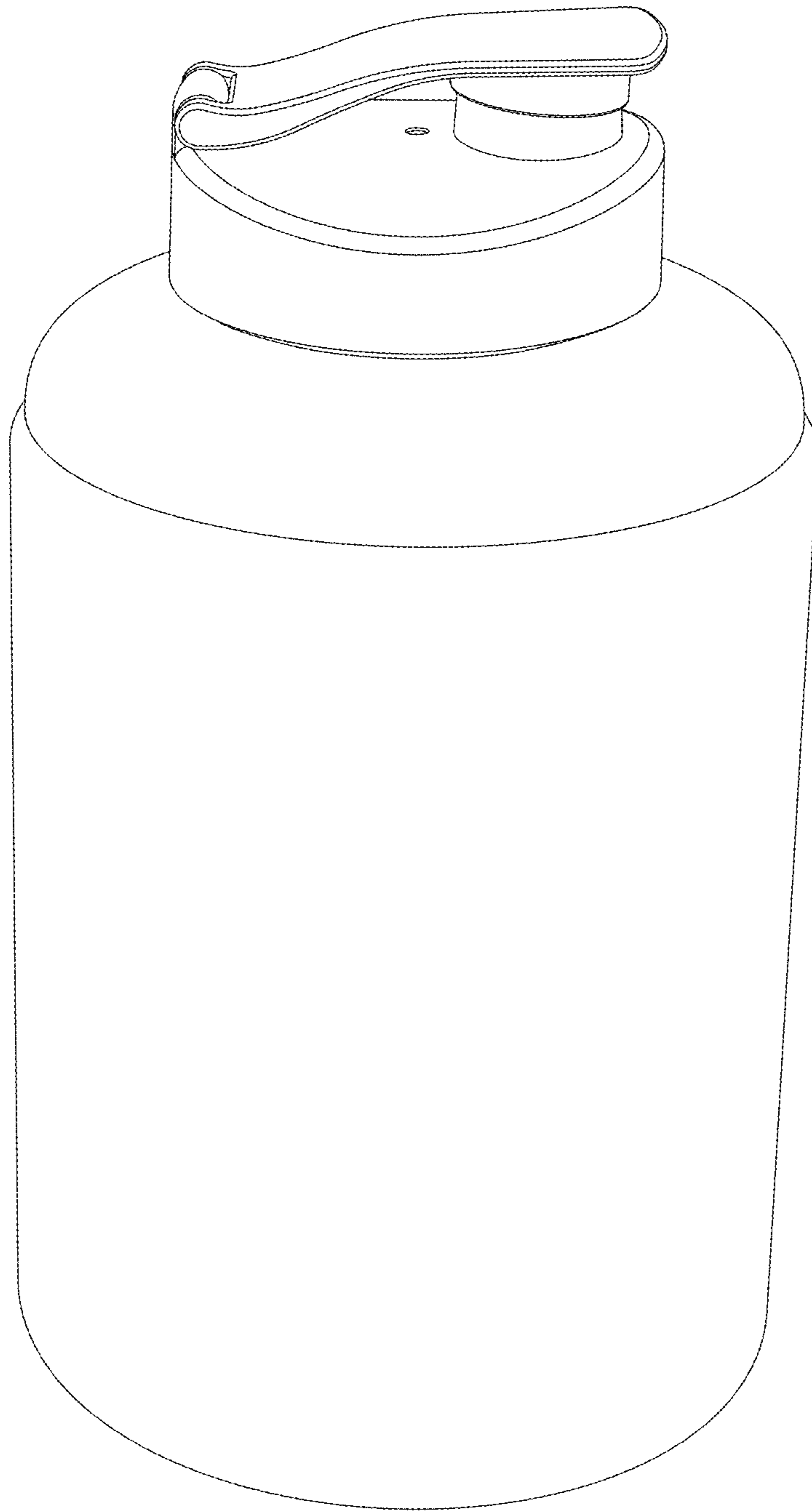


FIG.9