



US00D881646S

(12) **United States Design Patent**
Zhao

(10) **Patent No.:** **US D881,646 S**

(45) **Date of Patent:** **** Apr. 21, 2020**

(54) **MICROWAVE OVEN RACK**

FOREIGN PATENT DOCUMENTS

(71) Applicant: **Wei Zhao**, Guangzhou (CN)

EP 000317912-0007 5/2005

(72) Inventor: **Wei Zhao**, Guangzhou (CN)

OTHER PUBLICATIONS

(**) Term: **15 Years**

GEMITTO Microwave Oven Rack, by Gemitto, Amazon [online], date first available May 11, 2018, [retrieved on Jun. 4, 2019]. Retrieved from the Internet, URL: <https://www.amazon.com/GEMITTO-Microwave-Expandable-Kitchen-Capacity/dp/B07CYLRBGH>.*

(21) Appl. No.: **29/692,325**

(22) Filed: **May 24, 2019**

(51) **LOC (12) Cl.** **07-99**

* cited by examiner

(52) **U.S. Cl.**

Primary Examiner — Michelle E. Wilson

USPC **D7/403**

(58) **Field of Classification Search**

(57) **CLAIM**

USPC ... D7/402–406, 350.1–351, 600.1, 388, 387, D7/341, 334; D6/705, 368, 691, 691.3, D6/691.5, 691.7, 675, 656.17, 656.13
CPC ... A47F 5/16; A47J 39/02; A47J 47/16; A47B 96/02

I claim the ornamental design for a microwave oven rack, as shown and described.

See application file for complete search history.

DESCRIPTION

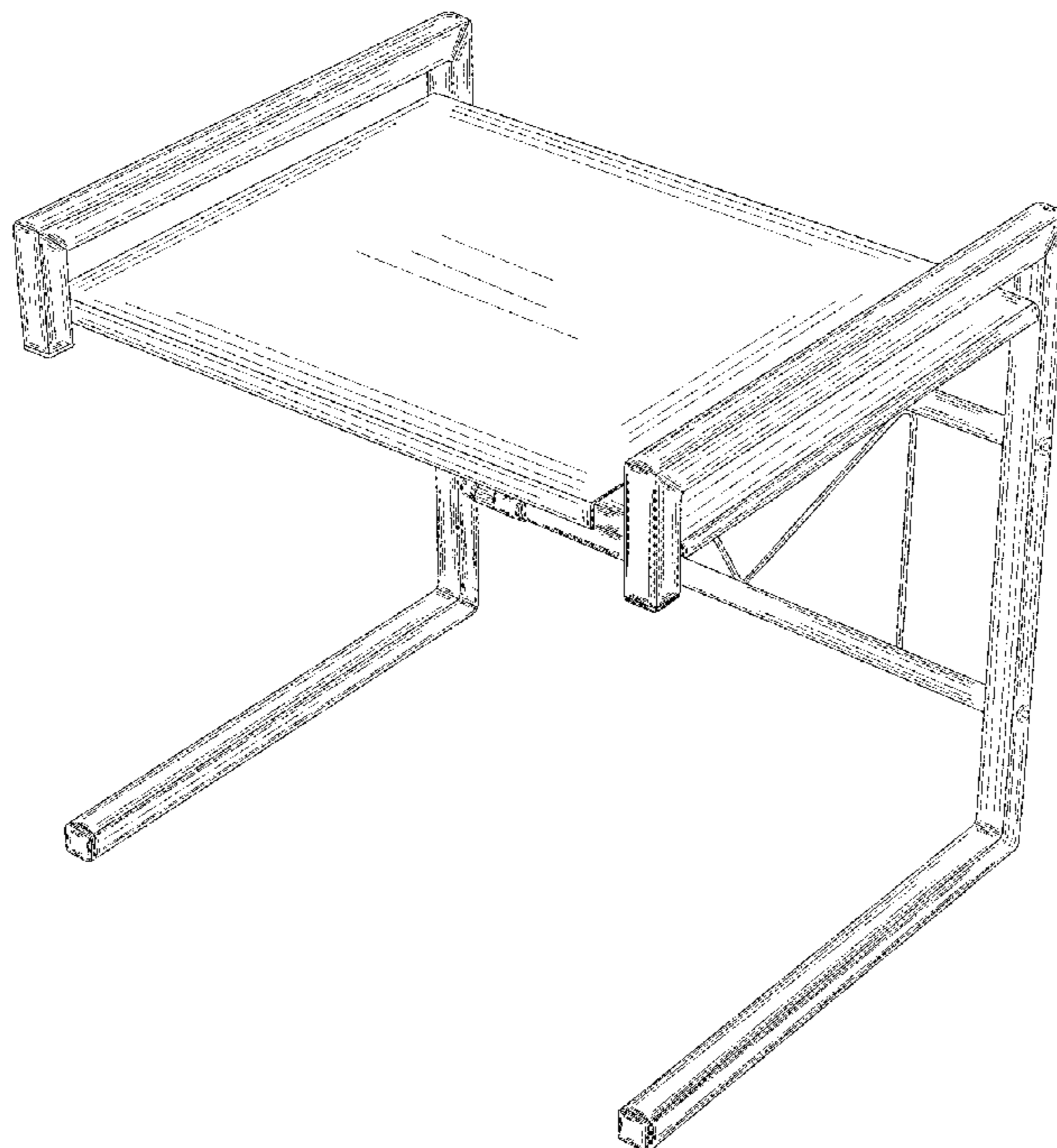
(56) **References Cited**

FIG. 1 is a Perspective view of a microwave oven rack showing my new design;
FIG. 2 is a Front view of the microwave oven rack as shown in FIG. 1;
FIG. 3 is a Back view of the microwave oven rack as shown in FIG. 1;
FIG. 4 is a Right-side view of the microwave oven rack as shown in FIG. 1;
FIG. 5 is a Left-side view of the microwave oven rack as shown in FIG. 1;
FIG. 6 is a Top view of the microwave oven rack as shown in FIG. 1; and,
FIG. 7 is a Bottom view of the microwave oven rack as shown in FIG. 1.

U.S. PATENT DOCUMENTS

D235,834 S *	7/1975	Payne	D6/691.5
D247,404 S *	3/1978	Harris	D6/691
D252,729 S *	8/1979	Leahy, Jr.	D6/675
D298,406 S *	11/1988	Stephen	D7/402
D314,878 S *	2/1991	Hart	D6/691.3
D366,781 S *	2/1996	Cartwright	D6/656.17
D395,378 S *	6/1998	Schlosser	D7/334
D462,541 S *	9/2002	Welch	D6/675
D474,356 S *	5/2003	Bosman	D6/656.13
D569,638 S	5/2008	Ballard et al.		
D586,165 S	2/2009	Lenterman		
D655,950 S *	3/2012	Kvello	D6/691.7
D720,161 S *	12/2014	Udagawa	D6/656.13
D778,645 S *	2/2017	Merritt	D6/691

1 Claim, 7 Drawing Sheets



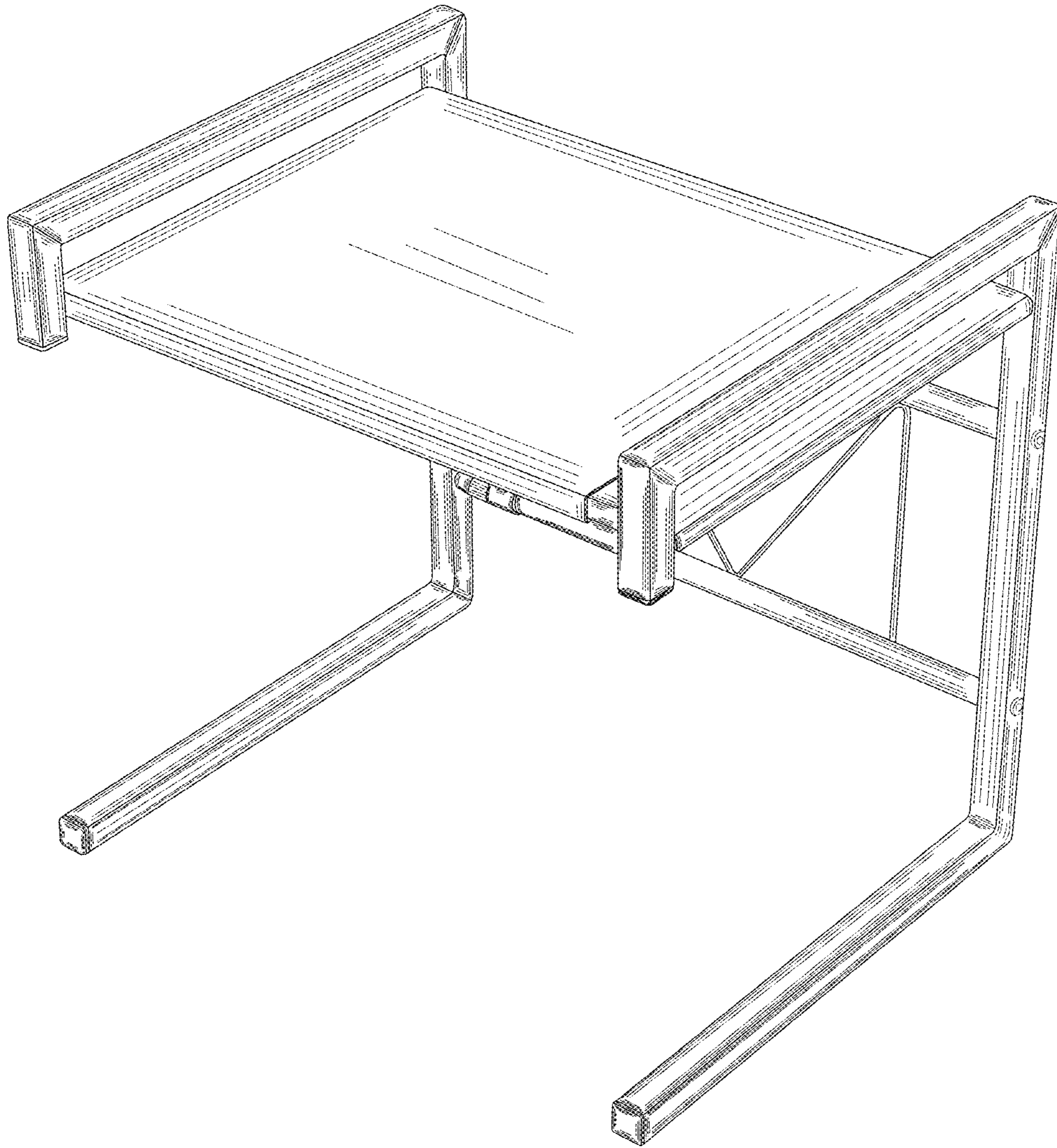


FIG. 1

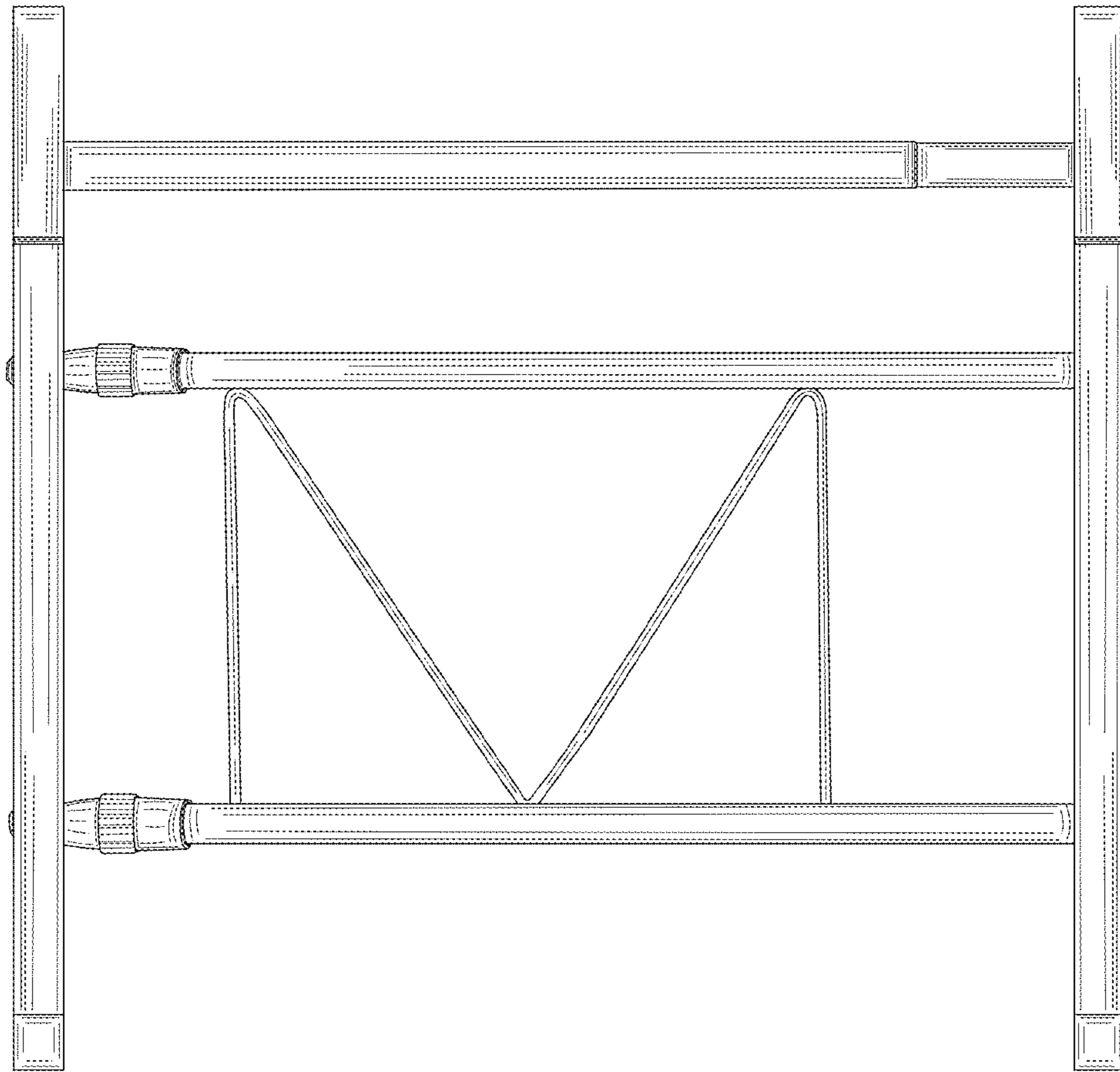


FIG. 2

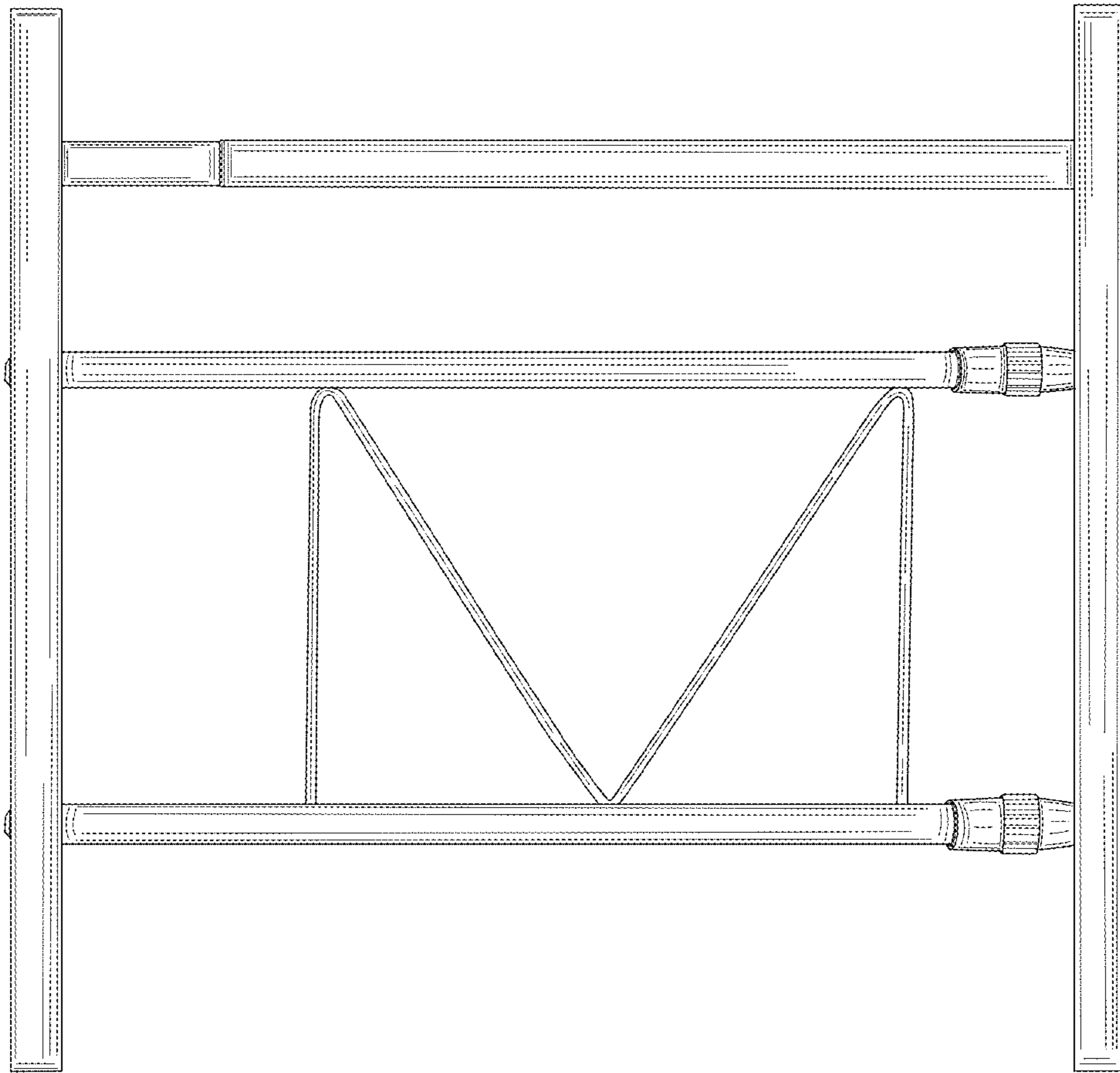


FIG. 3

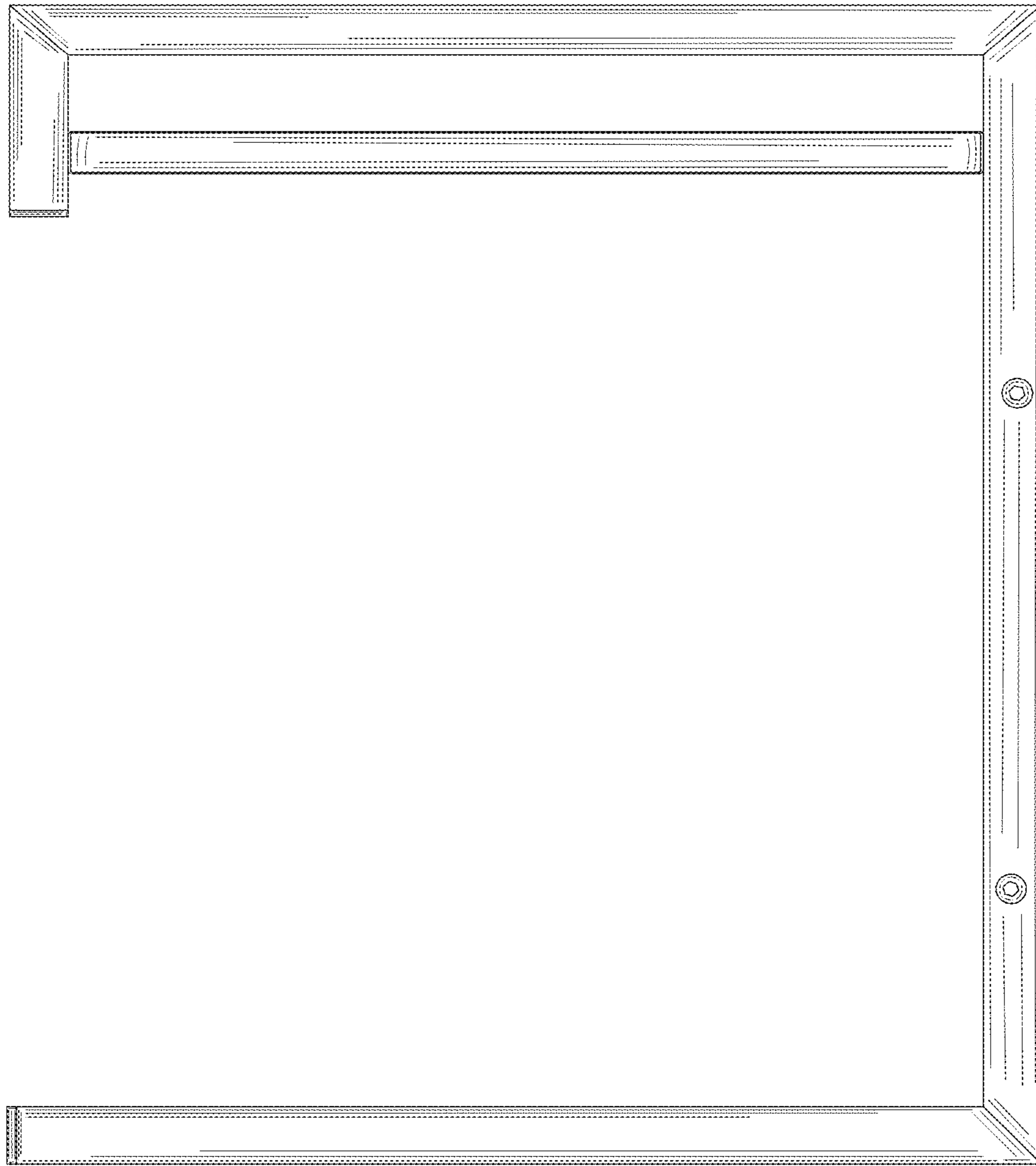


FIG. 4

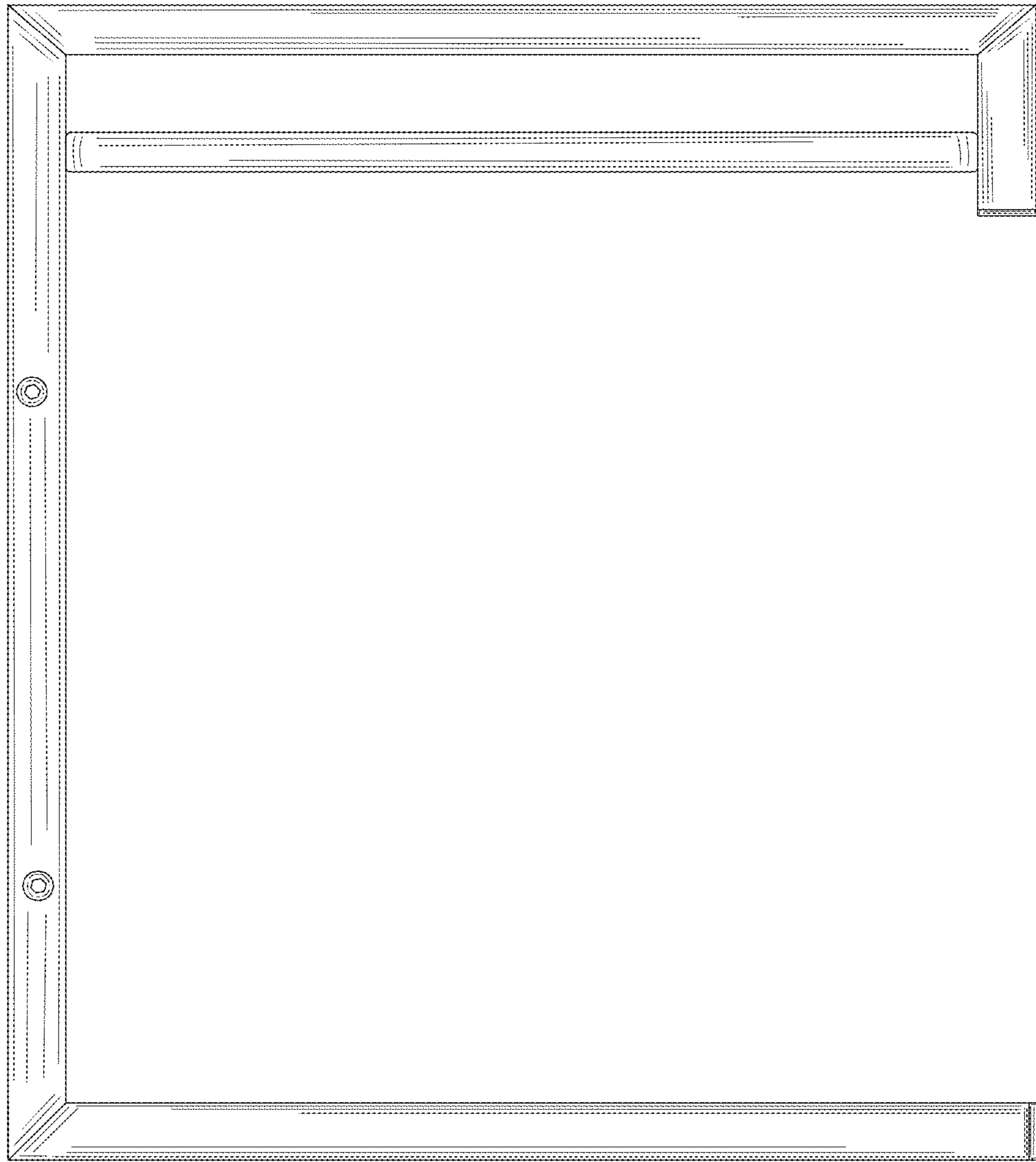


FIG. 5

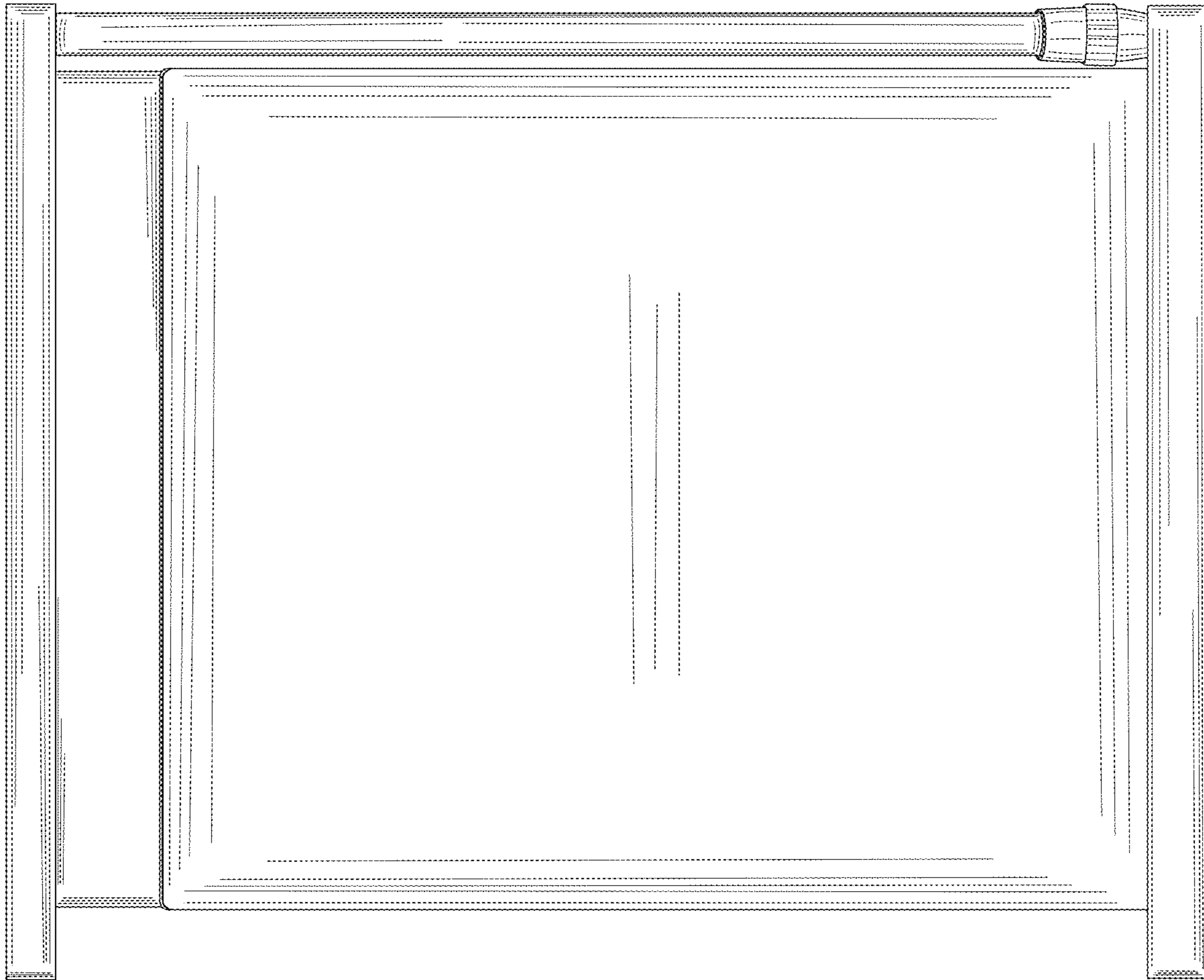


FIG. 6

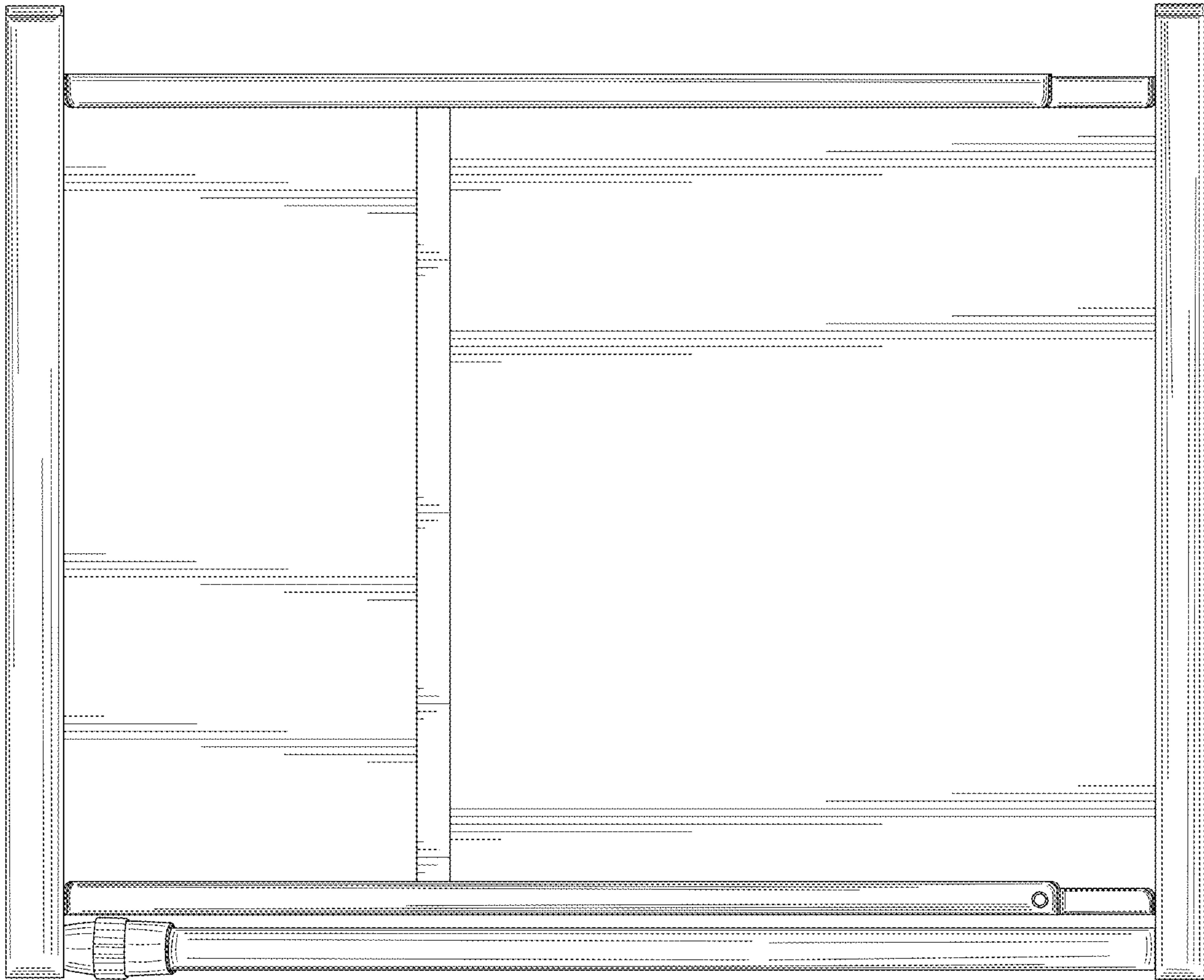


FIG. 7