



US00D881643S

(12) **United States Design Patent** (10) **Patent No.:** **US D881,643 S**
Fleischhut (45) **Date of Patent:** **** Apr. 21, 2020**

(54) **LID FOR DRINKING VESSELS**
(71) Applicant: **ESBIT COMPAGNIE GMBH**,
Hamburg (DE)
(72) Inventor: **Dirk Fleischhut**, Zürich (CH)
(**) Term: **15 Years**
(21) Appl. No.: **35/505,859**
(22) Filed: **Sep. 5, 2018**
(80) **Hague Agreement Data**
Int. Filing Date: **Sep. 5, 2018**
Int. Reg. No.: **DM/103042**
Int. Reg. Date: **Sep. 5, 2018**
Int. Reg. Pub. Date: **Oct. 12, 2018**

(30) **Foreign Application Priority Data**
Mar. 12, 2018 (EM) 004750917-0006
(51) **LOC (12) Cl.** **07-99**
(52) **U.S. Cl.**
USPC **D7/396.2**
(58) **Field of Classification Search**
USPC D7/622, 619.1, 602, 605, 608, 542,
D7/509-511, 507, 500, 629, 624.3, 900,
D7/392, 300, 312-317, 321, 396.2;
D9/549, 772, 516, 454, 435, 504, 503,
D9/767, 575, 574, 558, 780, 447
CPC ... A47G 19/2288; A47G 19/2205; A45F 3/16;
A45F 3/18; B65D 81/38; B65D 81/3837;
B65D 81/3865
See application file for complete search history.

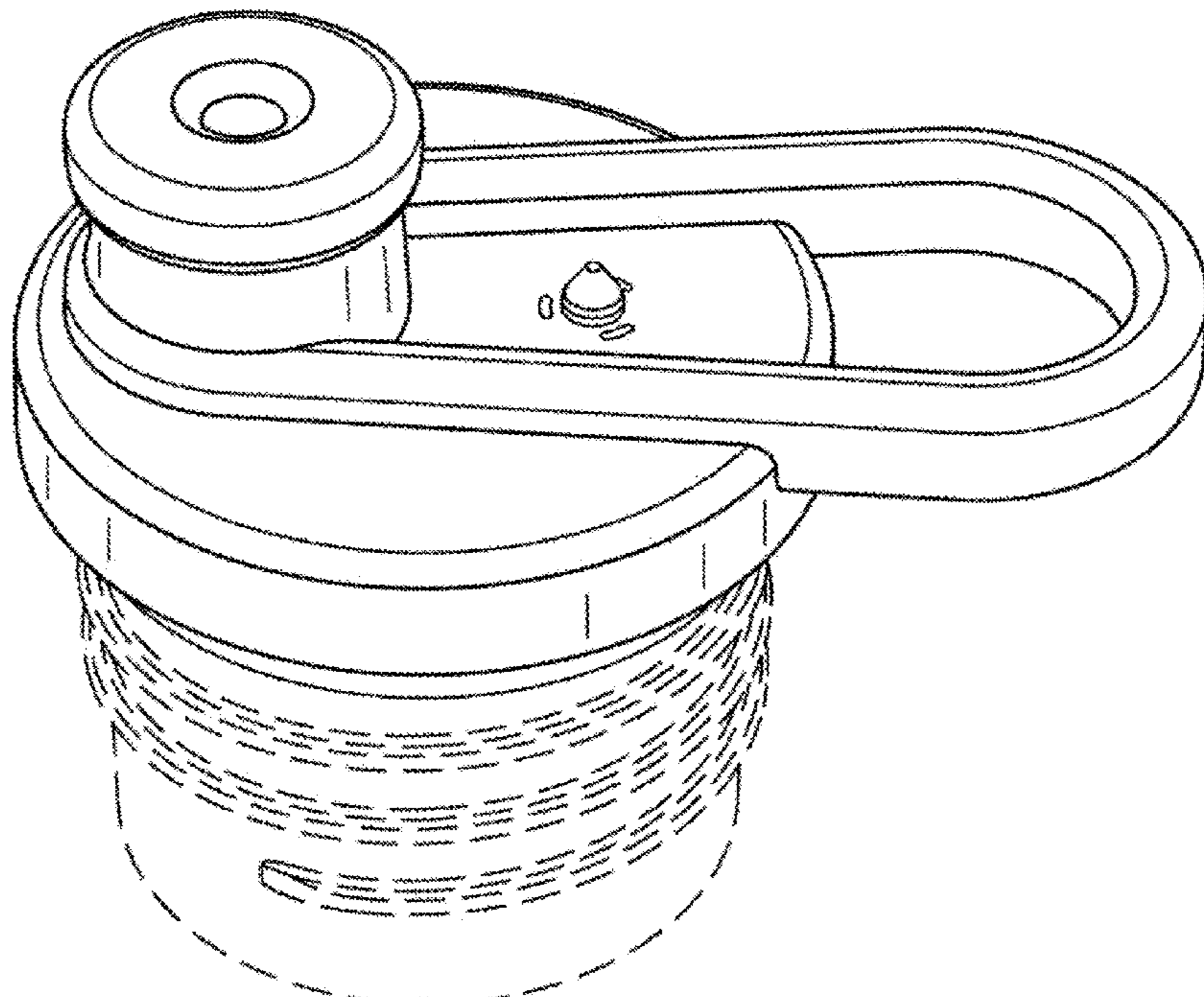
(56) **References Cited**
U.S. PATENT DOCUMENTS
D547,607 S * 7/2007 Forsman D7/396.2
D652,256 S * 1/2012 Eyal D7/510
D657,994 S * 4/2012 Wahl D7/392
D700,014 S * 2/2014 Zeanah D7/510
D729,569 S * 5/2015 Herbst D7/392
D742,174 S * 11/2015 Roth D7/300.2
D767,336 S * 9/2016 Waggoner D7/507
D802,366 S * 11/2017 Cerasani D7/510
D816,411 S * 5/2018 Stover D7/510
D818,317 S * 5/2018 Fu D7/510
D818,774 S * 5/2018 Stover D7/510
D853,195 S * 7/2019 Chen D7/511

* cited by examiner
Primary Examiner — Robert M. Spear

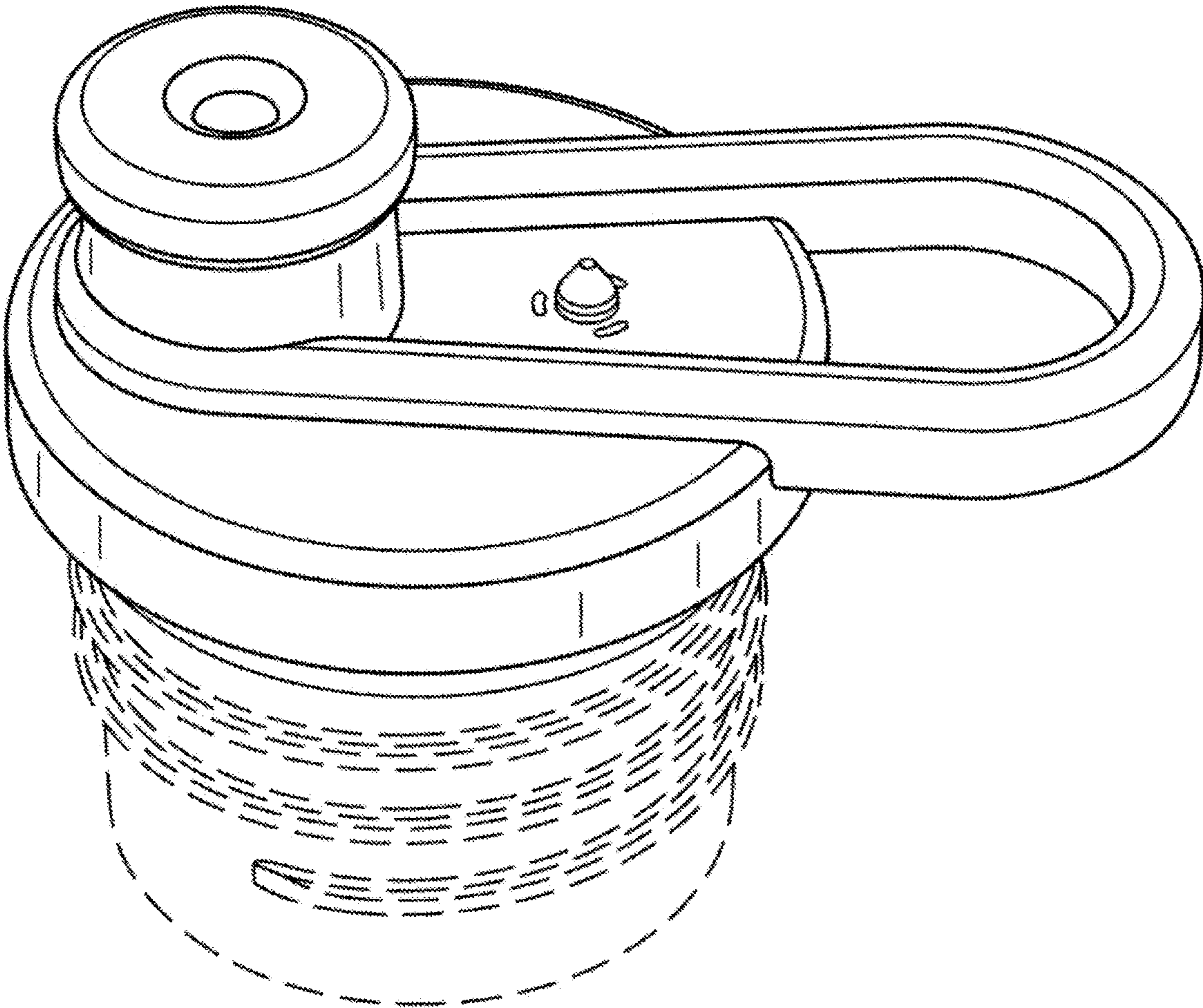
(57) **CLAIM**
The ornamental design for a lid for drinking vessels, as shown and described.

DESCRIPTION
1.1 is a perspective view of a lid for drinking vessels showing my new design;
1.2 is a front view thereof;
1.3 is a left side view thereof;
1.4 is a rear view thereof;
1.5 is a right side view thereof;
1.6 is a top plan view thereof;
1.7 is a bottom plan view thereof; and
1.8 is another perspective view thereof.
The broken lines showing portions of the article form no part of the claimed design.

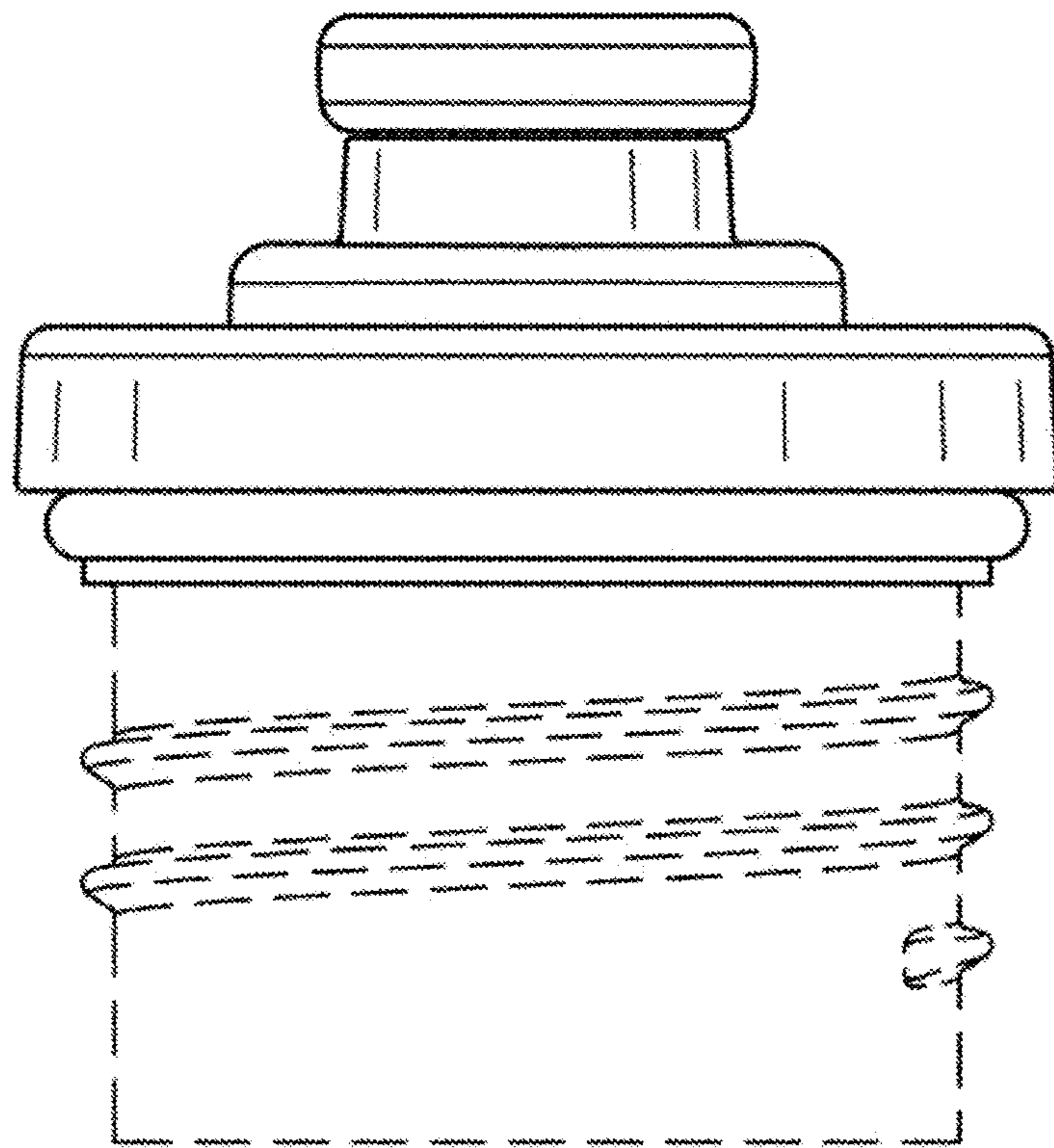
1 Claim, 8 Drawing Sheets



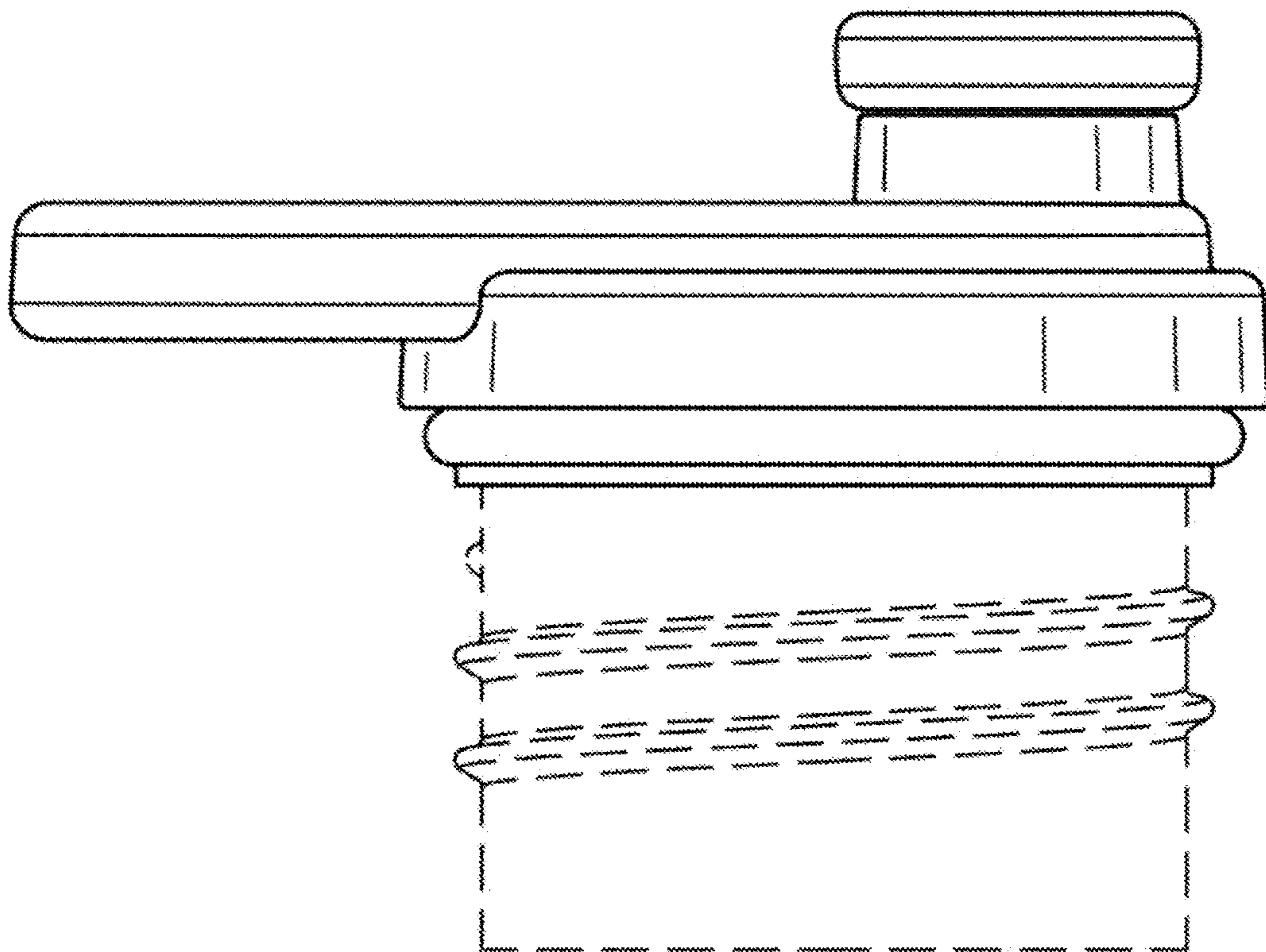
1.1



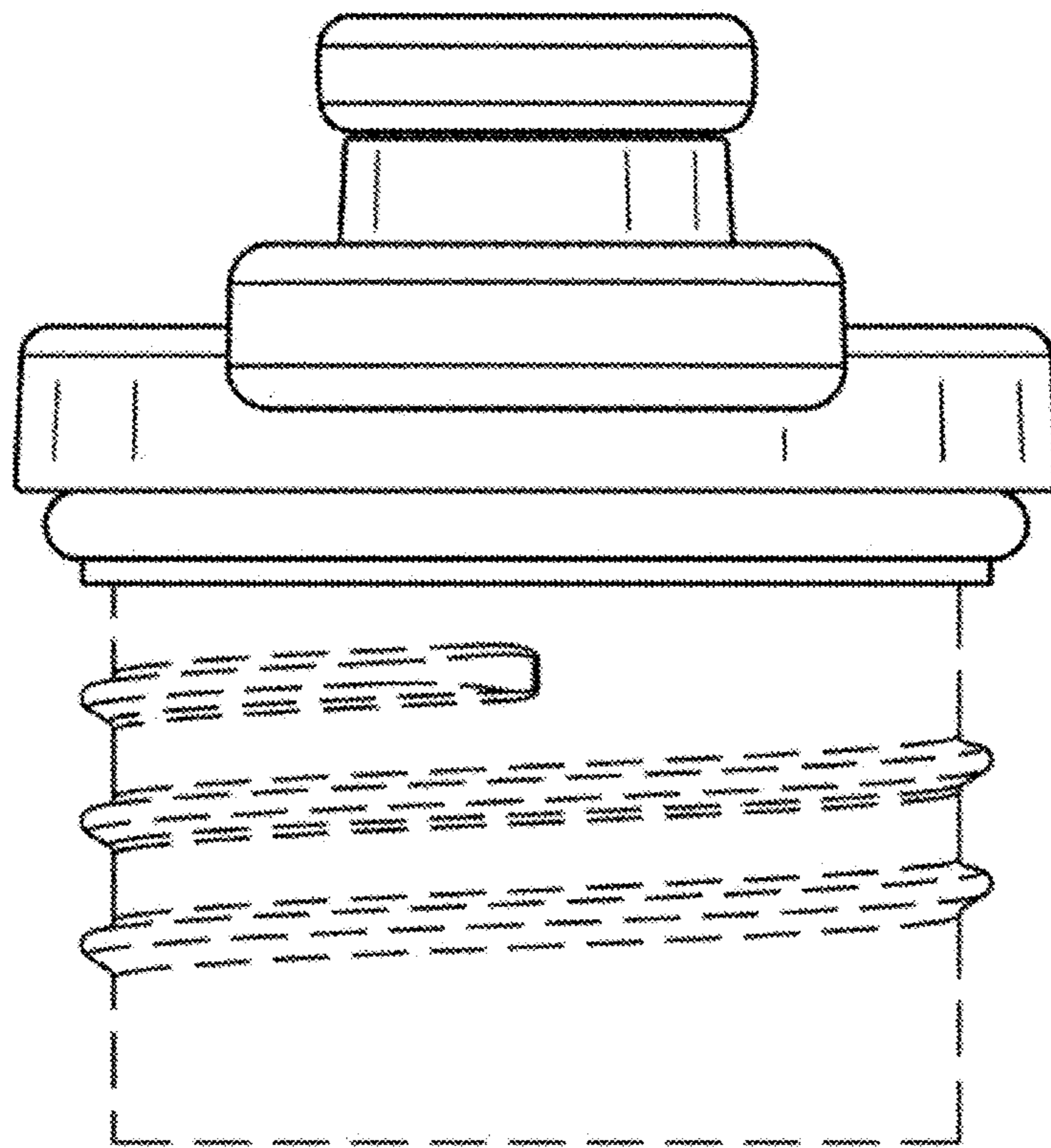
1.2



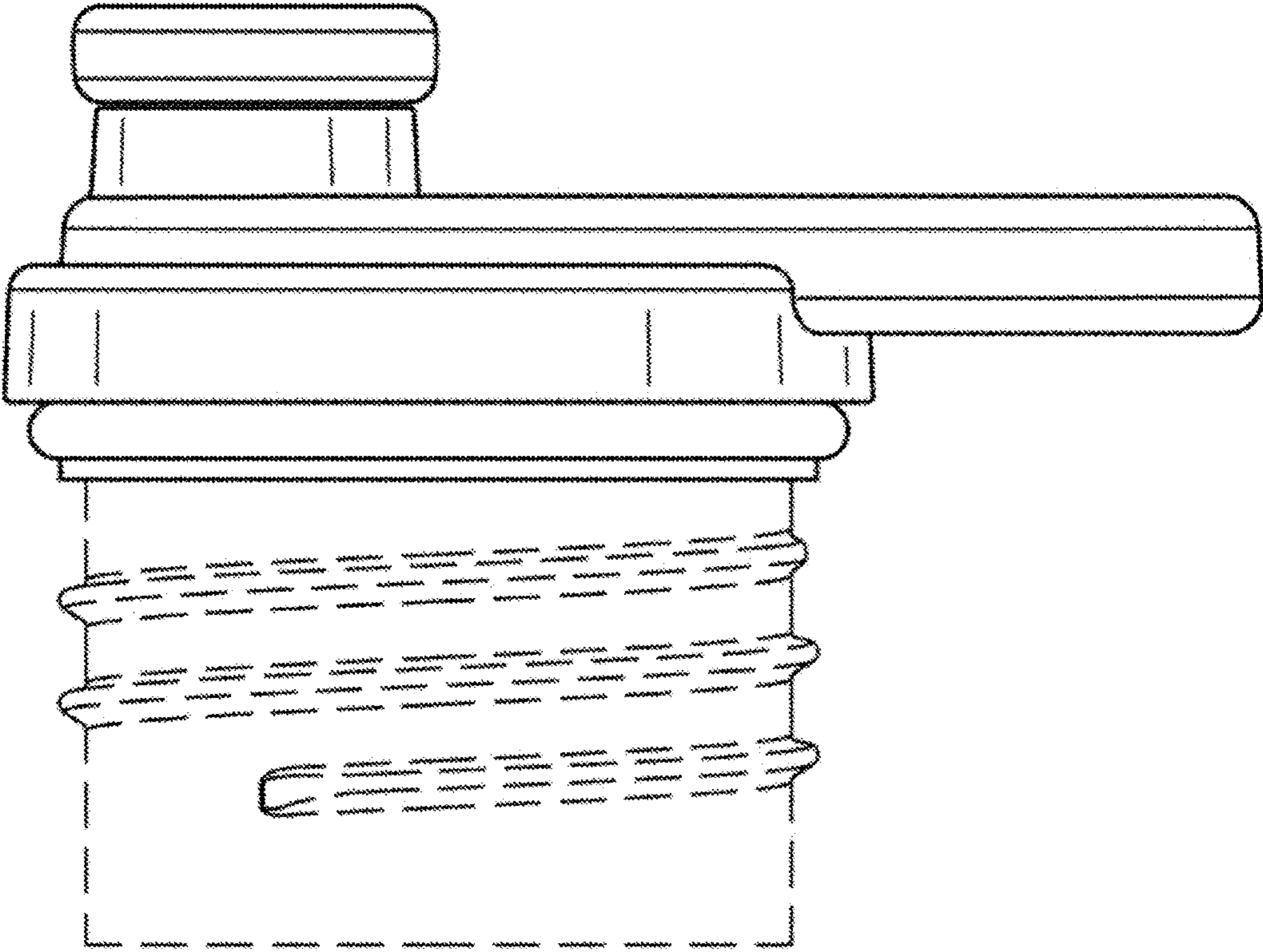
1.3



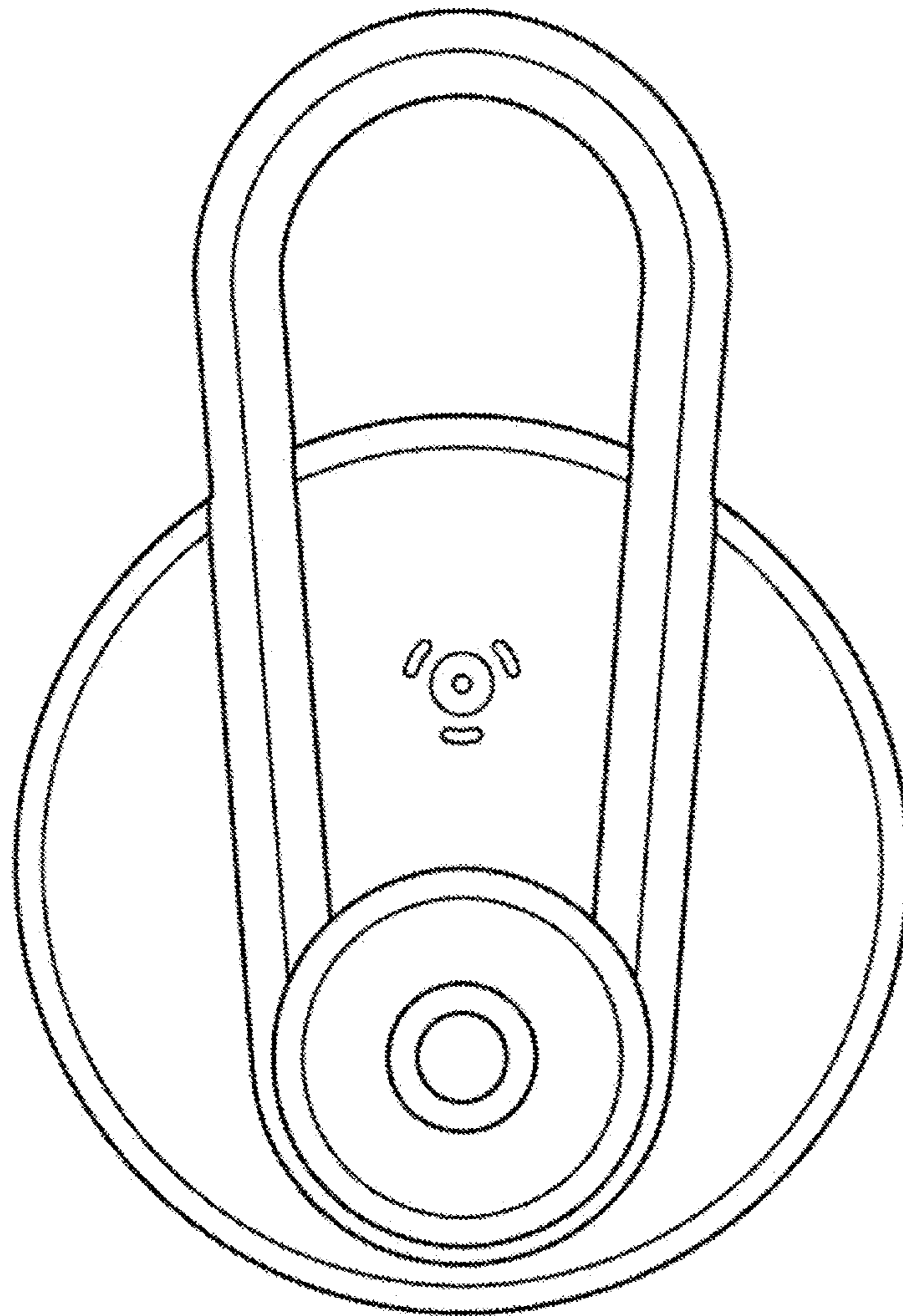
1.4



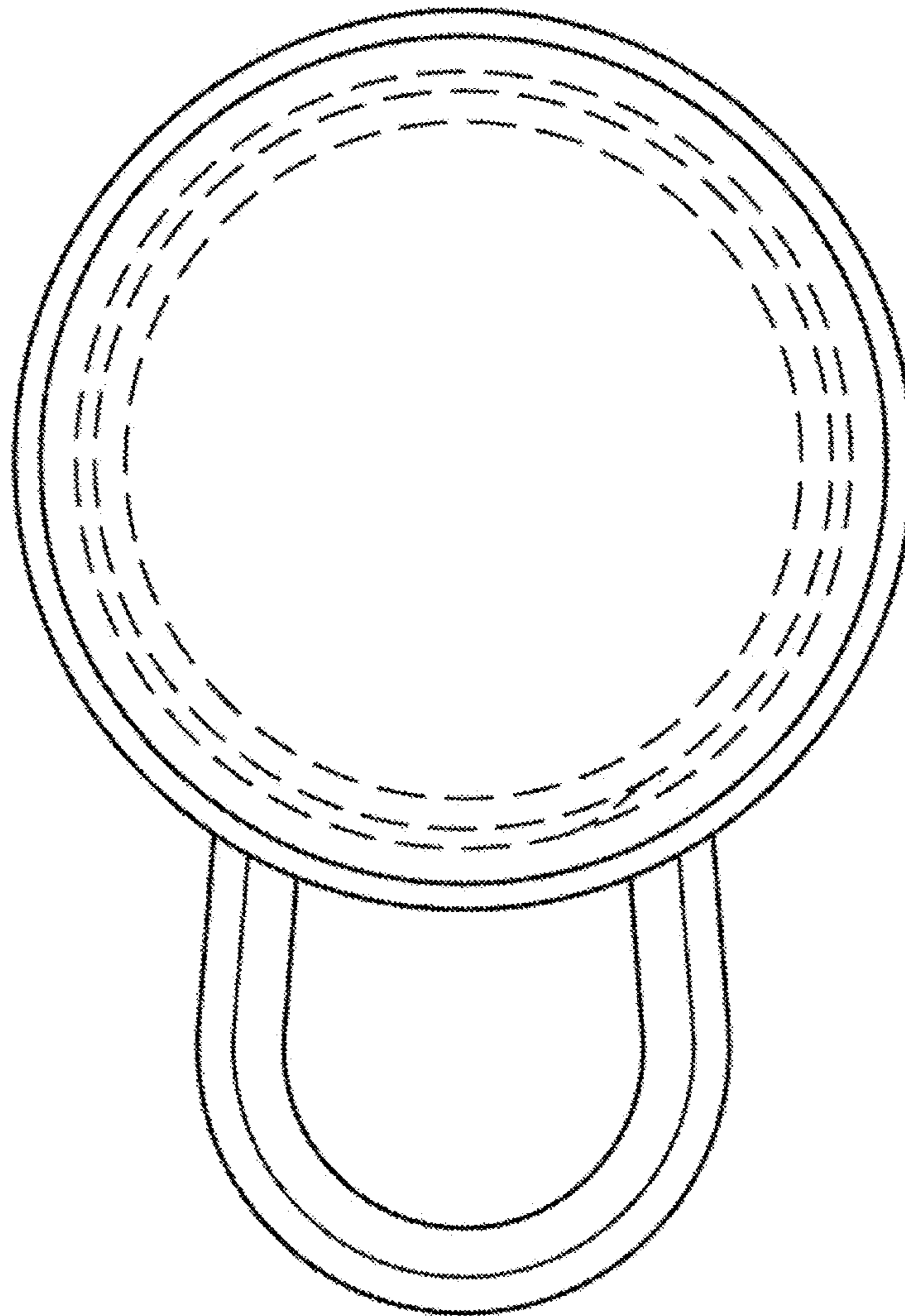
1.5



1.6



1.7



1.8

