



US00D881642S

(12) **United States Design Patent**  
**Zhang**

(10) **Patent No.:** **US D881,642 S**

(45) **Date of Patent:** **\*\* Apr. 21, 2020**

(54) **WATER BOTTLE FLIP LID**

(71) Applicant: **Yongkang Qiqing Industry and Trade Co., Ltd., Jinhua (CN)**

(72) Inventor: **Bo Zhang, Gongxian (CN)**

(\*\*) Term: **15 Years**

(21) Appl. No.: **29/720,807**

(22) Filed: **Jan. 16, 2020**

(51) **LOC (12) Cl.** ..... **07-01**

(52) **U.S. Cl.**  
USPC ..... **D7/392.1; D7/396.2**

(58) **Field of Classification Search**  
USPC ..... D7/517, 519, 510, 511, 523, 532, 300,  
D7/300.1, 313, 529, 530, 531, 392.1,  
D7/396.2; D9/500, 501, 502, 503, 504,  
D9/516, 530, 539, 549, 562, 571, 574,  
D9/575, 453, 435, 436, 443, 449, 454  
CPC ..... A47G 19/22; A47G 19/2288; A47G  
19/2205; A47J 43/27; A47J 41/0077;  
A47J 41/0088

See application file for complete search history.

(56) **References Cited**

**U.S. PATENT DOCUMENTS**

D647,532 S 10/2011 Busch  
D682,016 S 5/2013 Knight

D686,871 S 7/2013 Lane  
D720,218 S 12/2014 Burkemper et al.  
D756,701 S \* 5/2016 Mettler ..... D7/392.1  
D807,692 S 1/2018 Yao  
D851,445 S \* 6/2019 Silsby ..... D7/392.1  
D871,132 S \* 12/2019 Yao ..... D7/392.1  
D872,522 S \* 1/2020 Diener ..... D7/392.1  
D872,524 S \* 1/2020 Bo ..... D7/392.1  
D875,466 S \* 2/2020 Diener ..... D7/396.2

\* cited by examiner

*Primary Examiner* — Jae Liang

(74) *Attorney, Agent, or Firm* — KA Filing LLC; Wayne V. Harper

(57) **CLAIM**

I claim the ornamental design for a water bottle flip lid, as shown and described.

**DESCRIPTION**

FIG. 1 is a Perspective view of a water bottle flip lid showing my new design;

FIG. 2 is other perspective view thereof;

FIG. 3 is a Front view thereof;

FIG. 4 is a Back view thereof;

FIG. 5 is a Right-side view thereof;

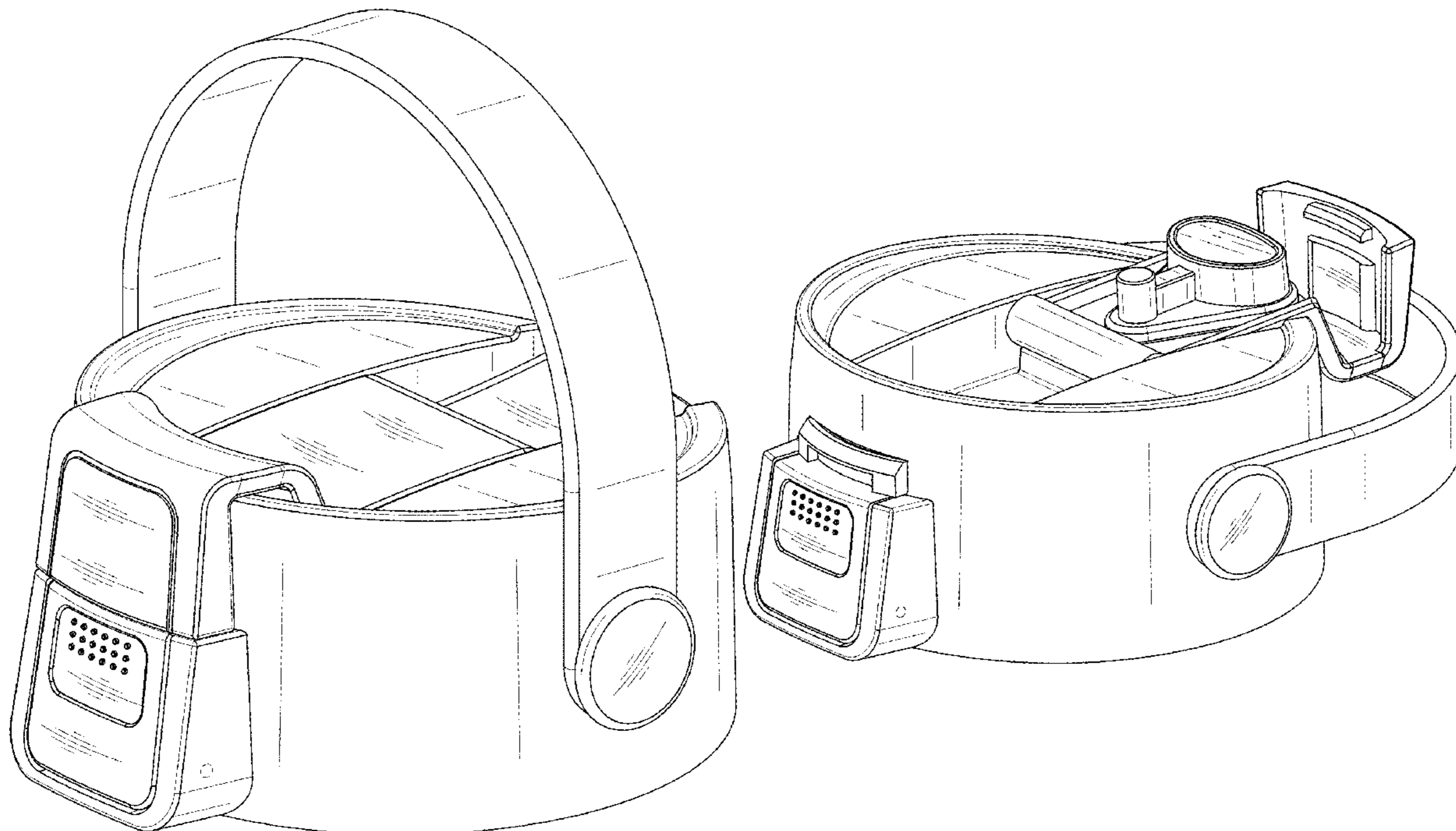
FIG. 6 is a Left-side view thereof;

FIG. 7 is a Top view thereof; and,

FIG. 8 is a Bottom view thereof.

The broken lines are only for environmental purposes and form no part of the claimed design.

**1 Claim, 8 Drawing Sheets**



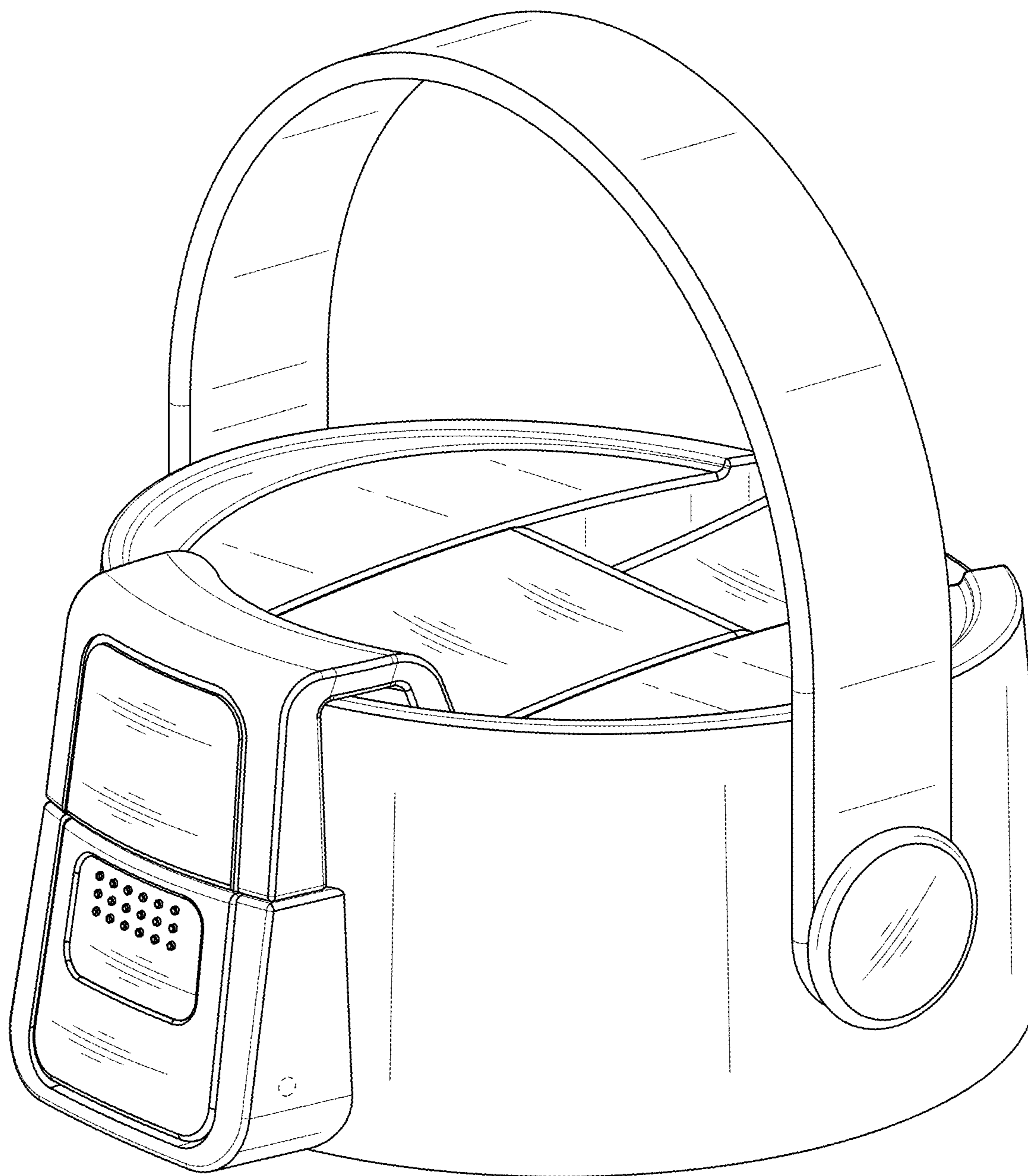


FIG. 1

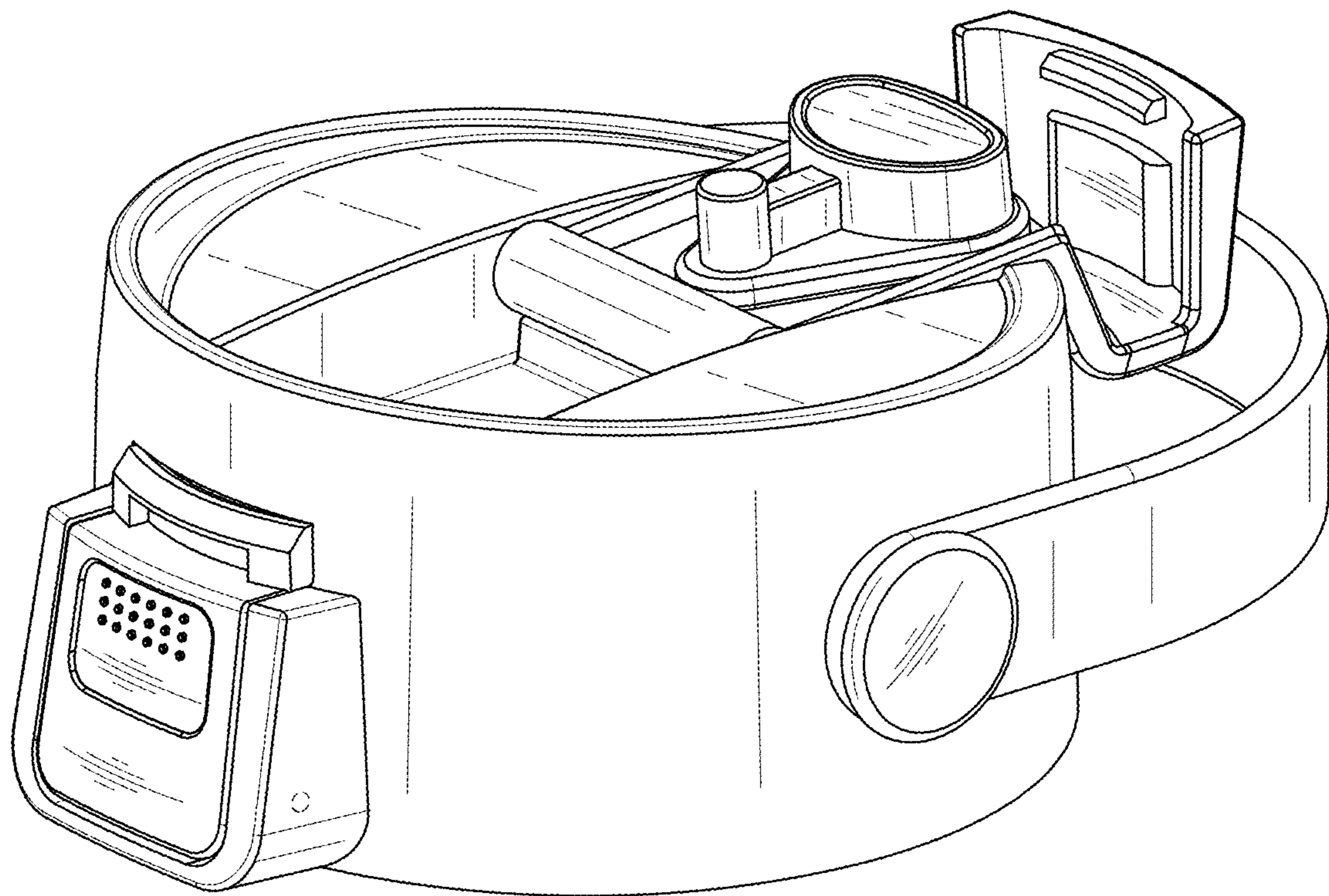


FIG. 2

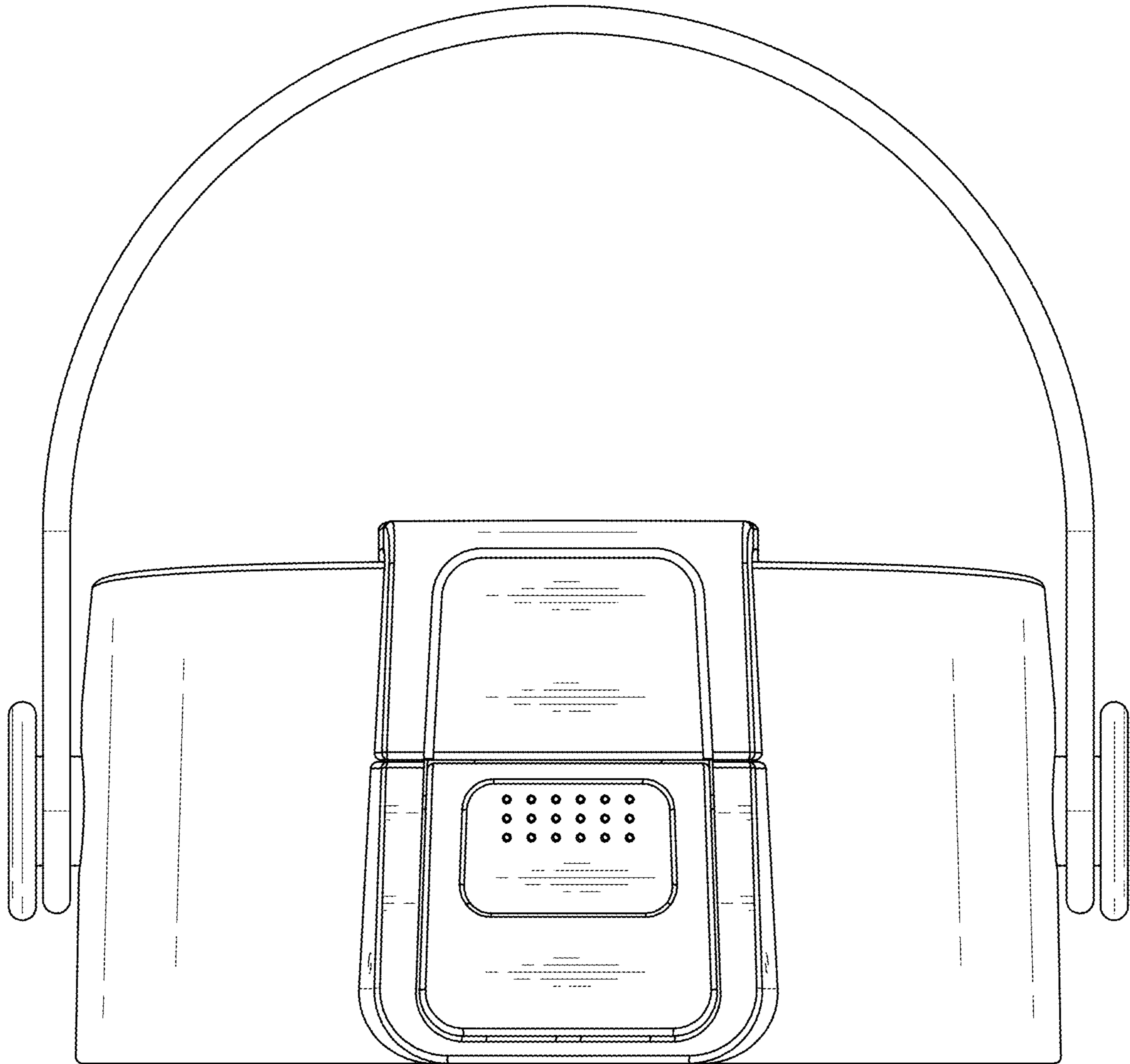


FIG. 3

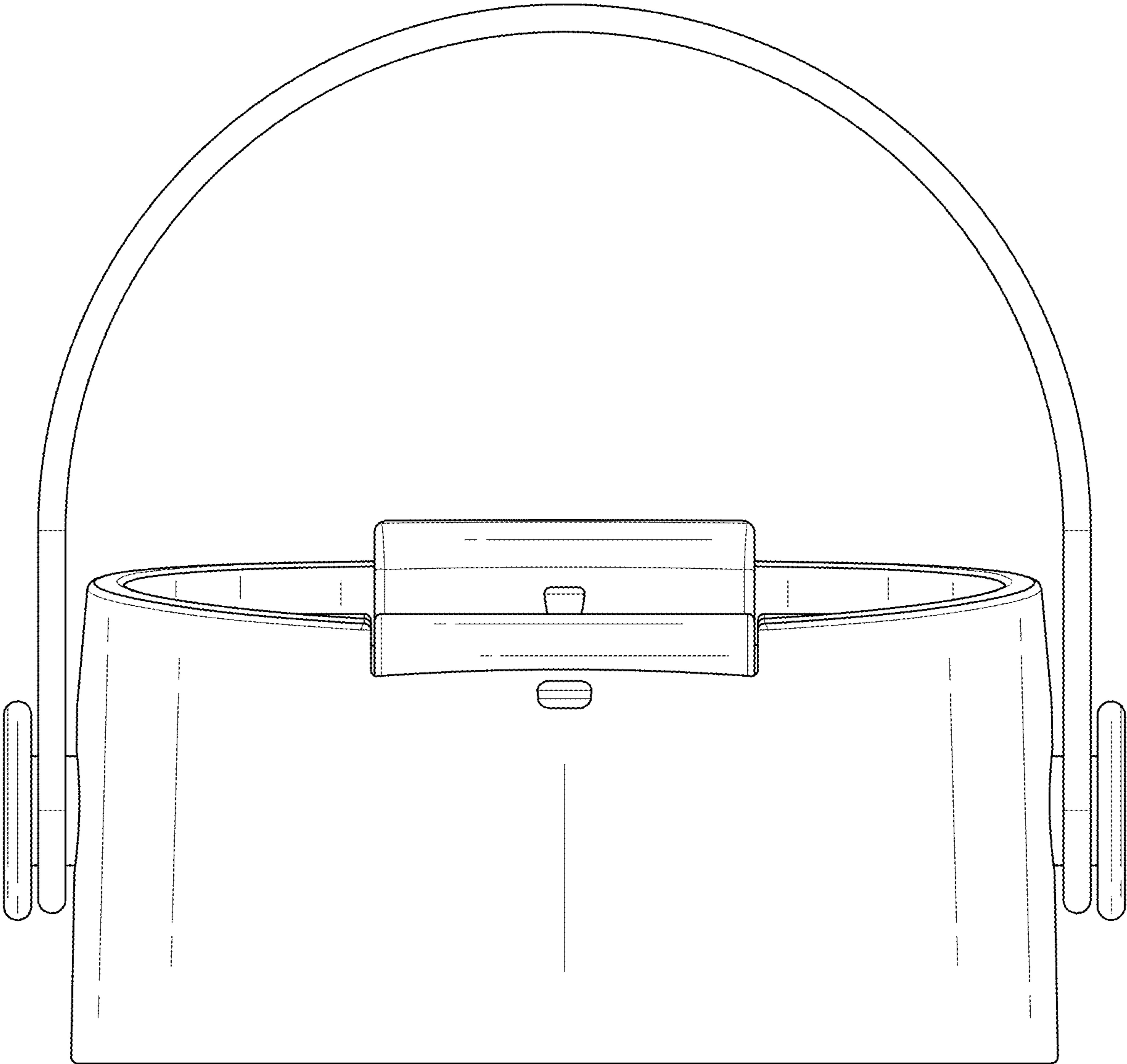


FIG. 4

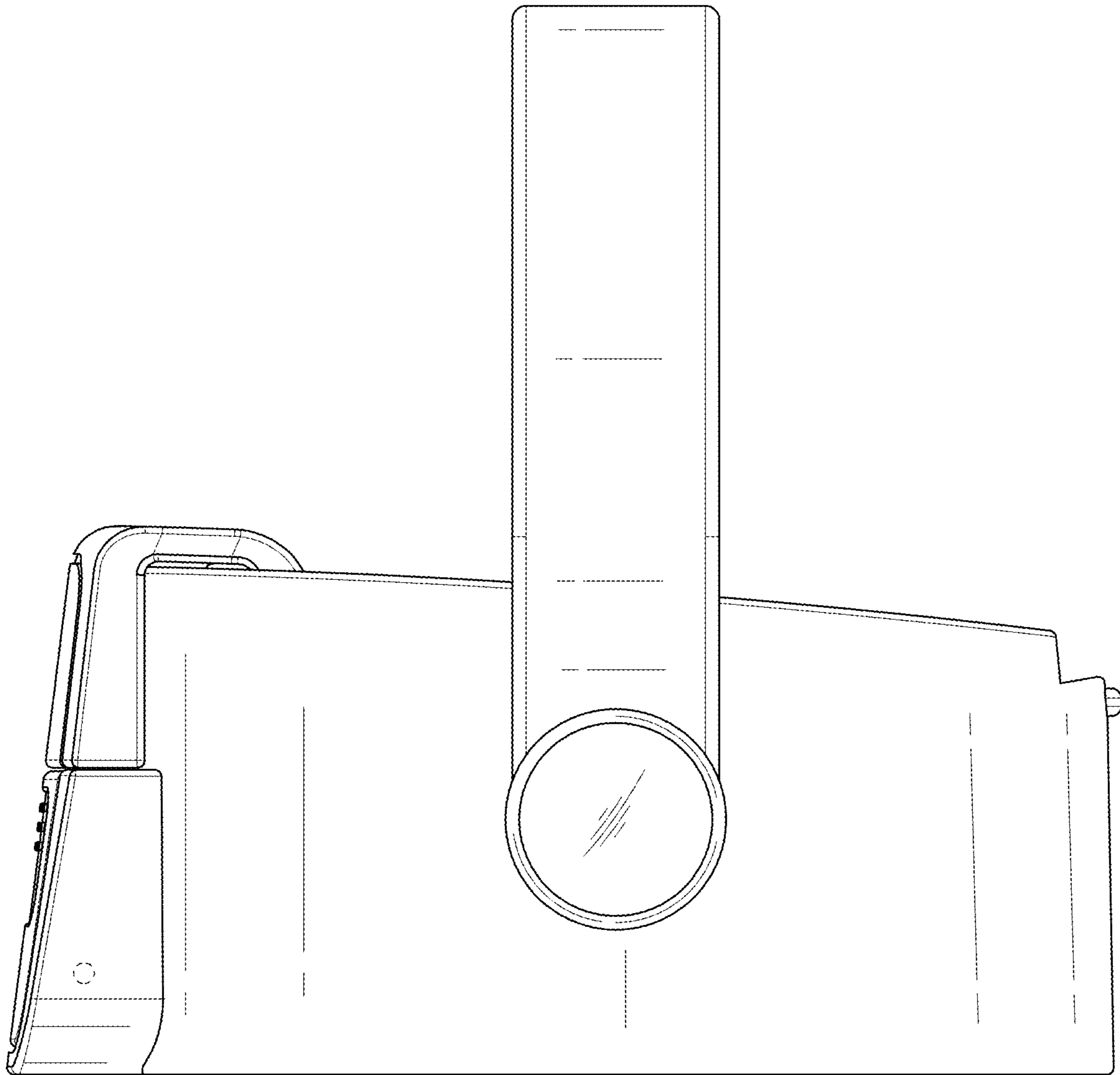


FIG. 5

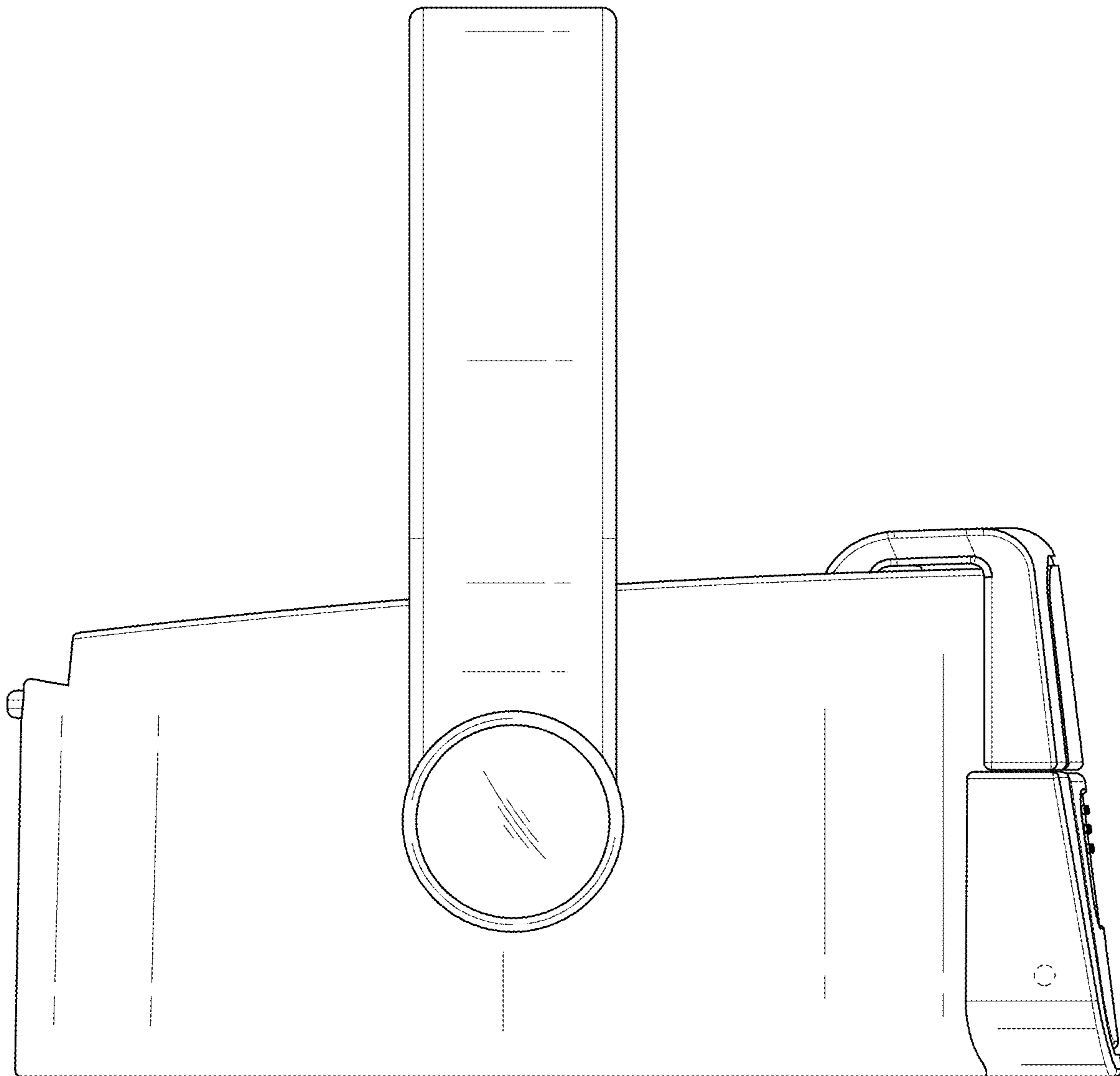


FIG. 6

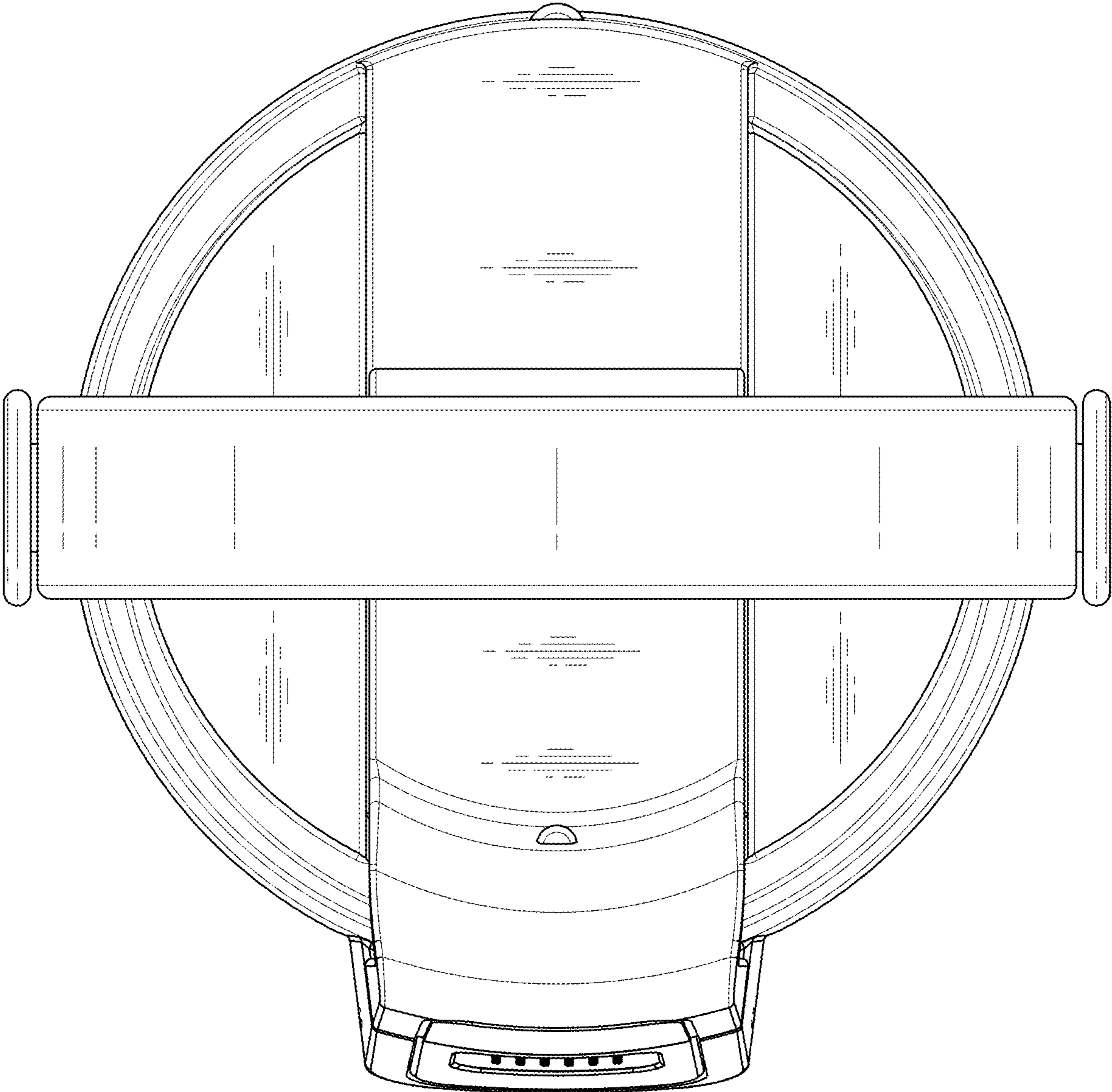


FIG. 7



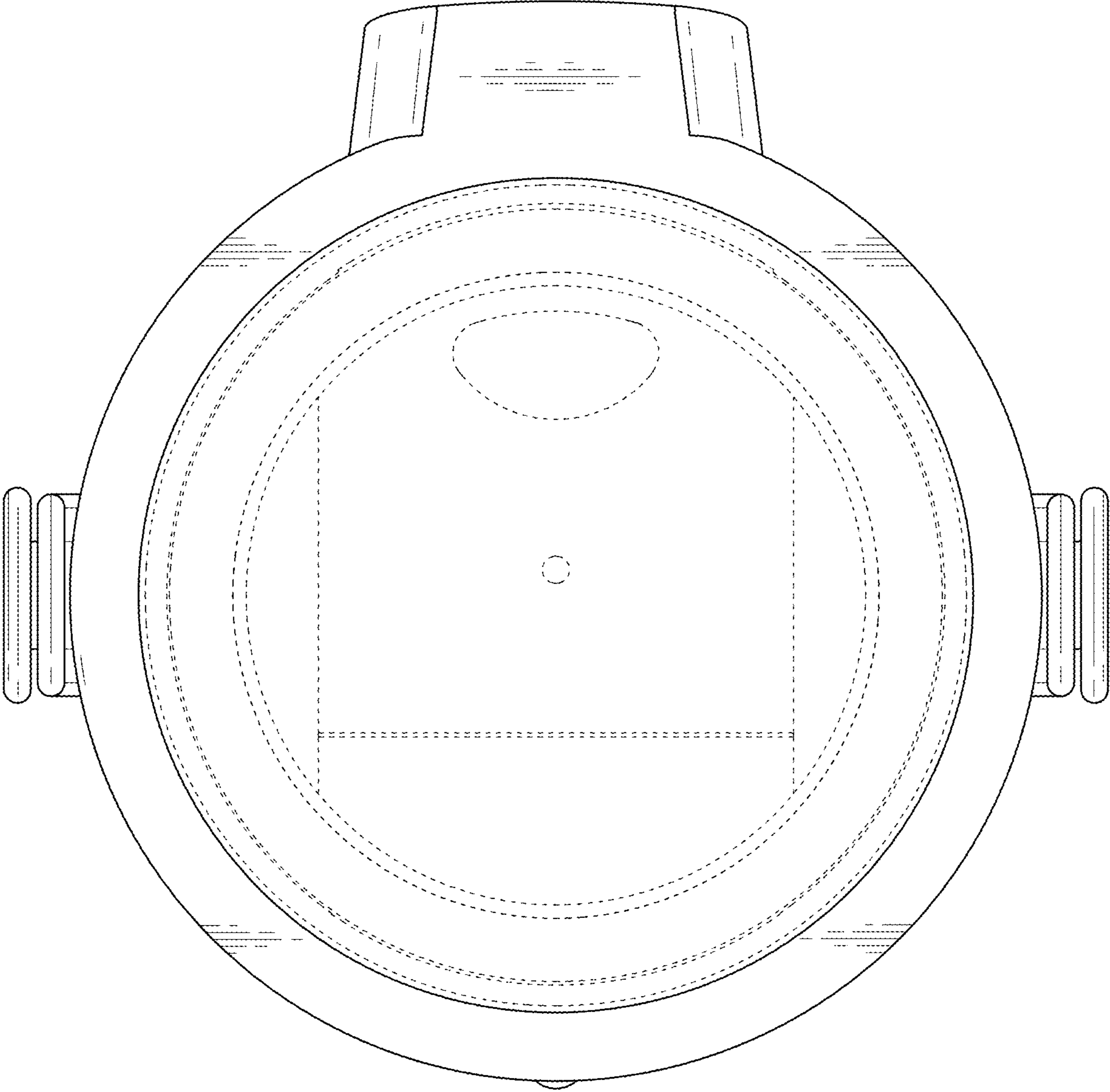


FIG. 8