



US00D881641S

(12) **United States Design Patent** (10) **Patent No.:** **US D881,641 S**
Baron et al. (45) **Date of Patent:** **** Apr. 21, 2020**

- (54) **MASON JAR LID**
- (71) Applicant: **MASONTOPS, INC.**, Toronto (CA)
- (72) Inventors: **Philip Baron**, Toronto (CA); **Michael Bacher**, Toronto (CA)
- (73) Assignee: **Masontops, Inc.**, Toronto, Ontario (CA)
- (**) Term: **15 Years**
- (21) Appl. No.: **29/701,667**
- (22) Filed: **Aug. 13, 2019**

Related U.S. Application Data

- (63) Continuation of application No. 29/663,021, filed on Sep. 11, 2018, now Pat. No. Des. 856,070, which is a continuation of application No. 29/604,259, filed on May 16, 2017, now Pat. No. Des. 828,085.
- (51) **LOC (12) Cl.** **07-99**
- (52) **U.S. Cl.**
USPC **D7/392.1**; D9/454; D9/443; D7/392
- (58) **Field of Classification Search**
USPC D7/391, 510, 511, 538, 540, 542, 543, D7/544, 545, 629, 392.1, 392; D9/452, D9/453, 454, 435, 447, 449, 780, 434, D9/440
CPC ... A47G 19/2205; A47G 19/2222; A45F 3/16; A45F 3/20; B67D 7/06; B67D 1/0004; B67D 25/14; B67D 47/065; B67D 47/066
See application file for complete search history.

(56) **References Cited**

U.S. PATENT DOCUMENTS

5,529,217 A	6/1996	Siegel	
D500,677 S	1/2005	Druitt	
D501,362 S	2/2005	Gauss	
D517,322 S	3/2006	Zettle et al.	
D542,656 S *	5/2007	Szczesniak D9/452
D651,044 S	12/2011	Gilbert	

D674,241 S	1/2013	Bickert et al.
D680,805 S	4/2013	Rosbach
D697,366 S	1/2014	Kristinik
D714,146 S	9/2014	King et al.
D721,963 S	2/2015	Finkbohner et al.
D723,370 S	3/2015	Medlin
D727,152 S	4/2015	Yaseen
D756,221 S	5/2016	Koop et al.

(Continued)

OTHER PUBLICATIONS

Masontops.com, Tough Tops—Ourable & Leak-Proof Mason Jar Lids, Publication date unknown, [site visited Apr. 10, 2018], Available on the Internet URL <https://www.masontops.com/collections/storage-solutions/products/tough-tops-leak-proof-reusable-mason-jar-storage-lids-wide-mouth>.

Primary Examiner — Karen S Acker

Assistant Examiner — Steven B Reinholdt, Jr.

(74) *Attorney, Agent, or Firm* — McAndrews, Held & Malloy, Ltd.

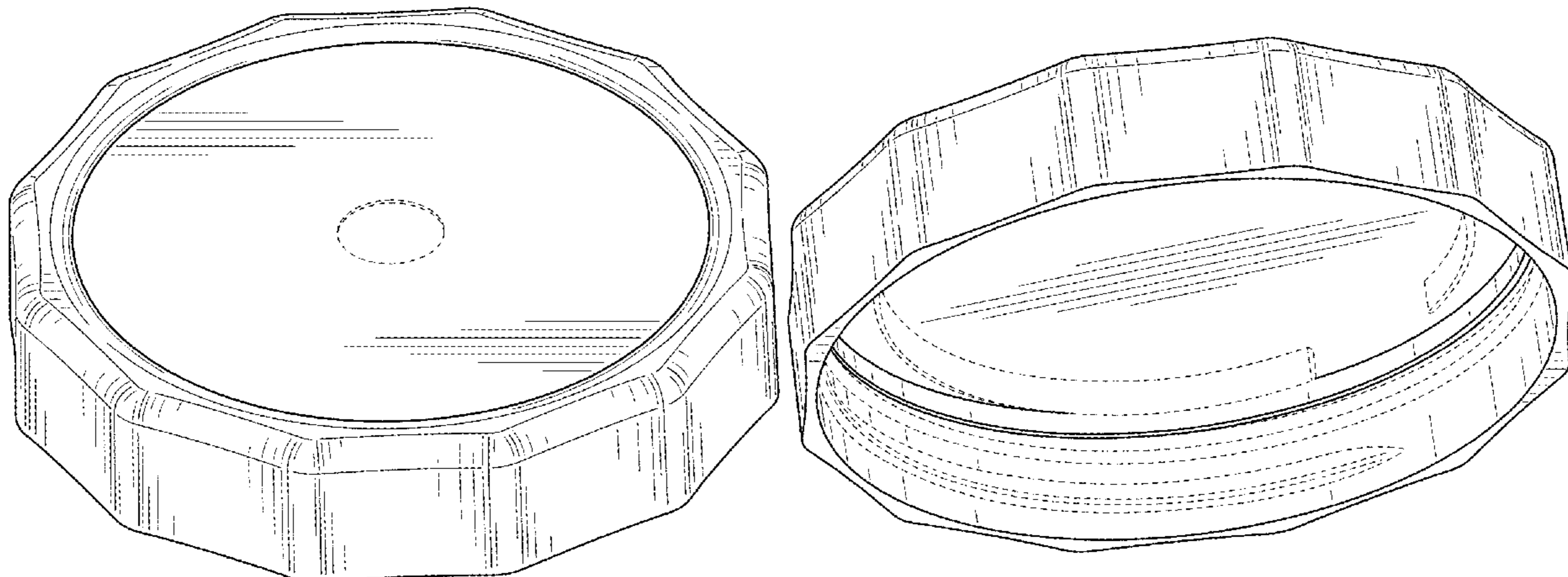
(57) **CLAIM**

The ornamental design for a mason jar lid, as shown and described.

DESCRIPTION

FIG. 1 is a top front perspective view of a mason jar lid showing our new design;
FIG. 2 is a bottom rear perspective view thereof;
FIG. 3 is a bottom front perspective view thereof;
FIG. 4 is a front elevation view thereof;
FIG. 5 is a rear elevation view thereof;
FIG. 6 is a right side elevation view thereof;
FIG. 7 is a left side elevation view thereof;
FIG. 8 is a top plan view thereof; and,
FIG. 9 is a bottom plan view thereof.
The dashed broken lines in the figures illustrate portions of the mason jar lid that form no part of the claimed design.

1 Claim, 4 Drawing Sheets



(56)

References Cited

U.S. PATENT DOCUMENTS

D756,710	S	8/2016	Greenfield	
D763,690	S	8/2016	Greenfield	
D769,069	S	10/2016	Sanbar	
D769,119	S	10/2016	Hooker et al.	
D799,269	S	10/2017	Vargo	
D799,272	S	10/2017	Pisarevsky	
D804,907	S	12/2017	Sandoval	
D813,671	S	3/2018	Arthur et al.	
D828,085	S	9/2018	Baron et al.	
D838,140	S	1/2019	Furneaux et al.	
D839,739	S	2/2019	Stammen et al.	
D839,740	S	2/2019	Stammen et al.	
D850,911	S *	6/2019	Holmes	D9/443
D856,070	S *	8/2019	Baron	D7/392.1
D866,248	S *	11/2019	Baron	D7/391
D869,274	S *	12/2019	Kim	D9/453
10,501,244	B2 *	12/2019	Bacher	B65D 51/165
2015/0320246	A1	11/2015	Jorge	
2017/0055743	A1	3/2017	Jorge	

* cited by examiner

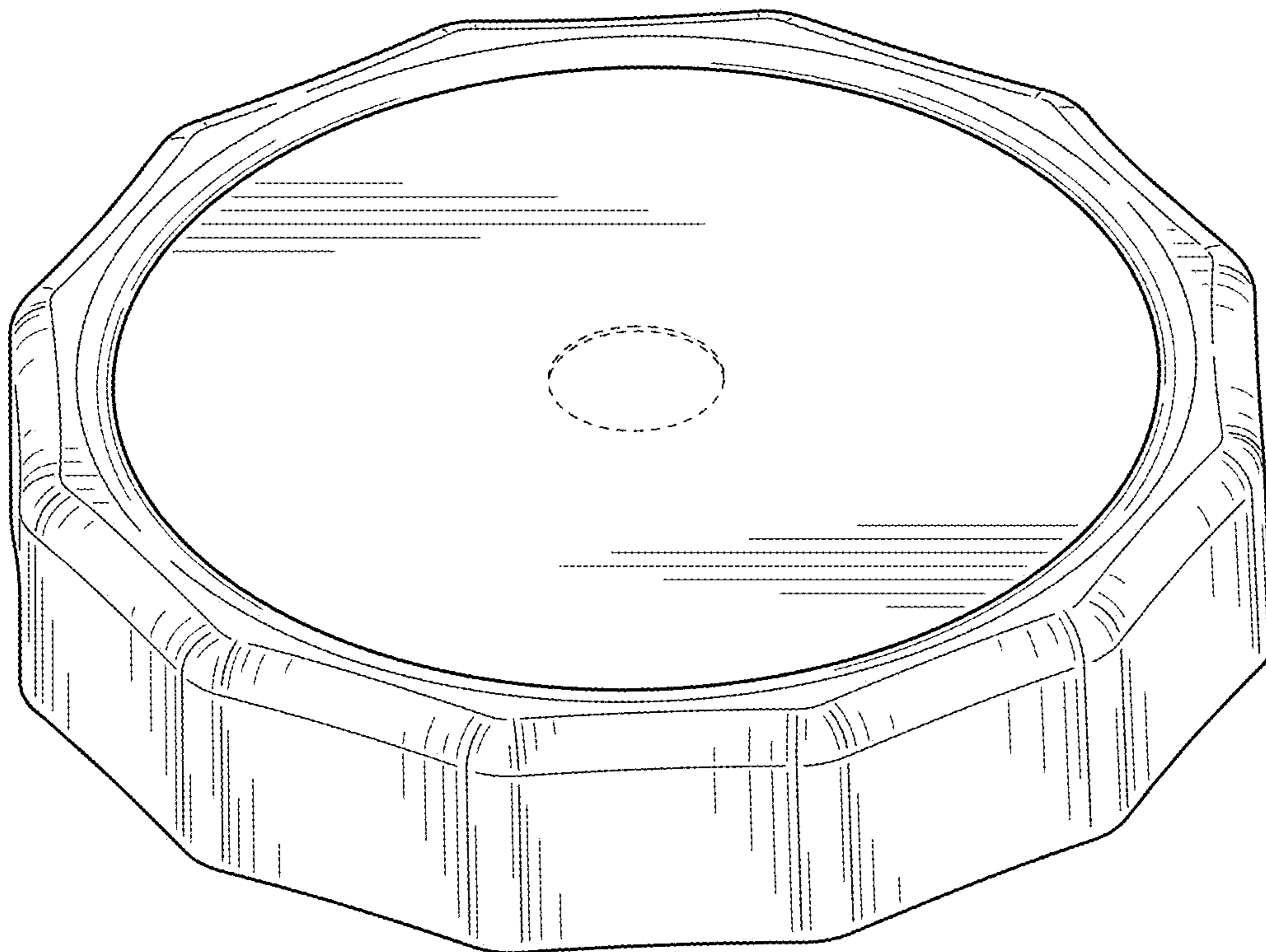


FIG. 1

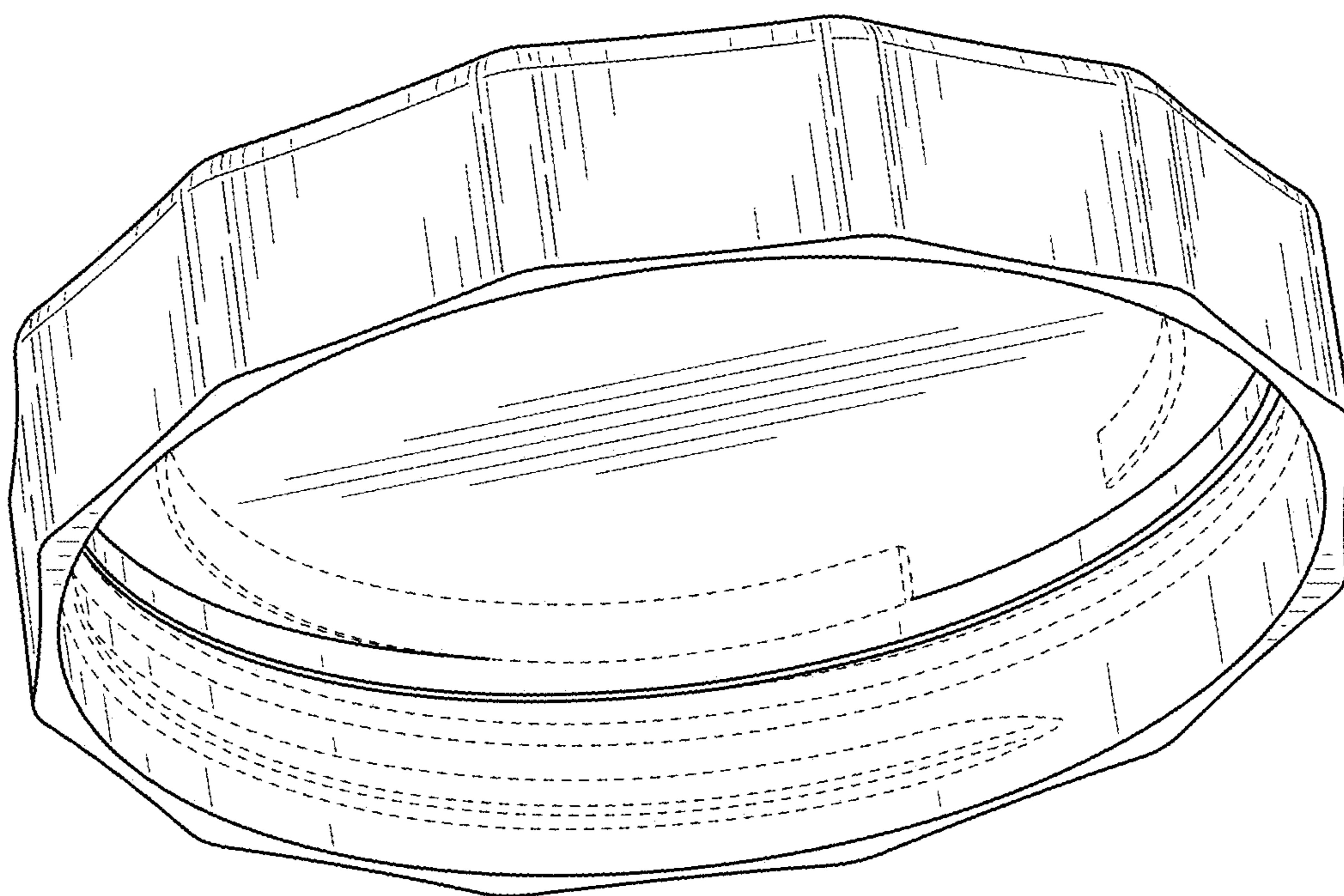


FIG. 2

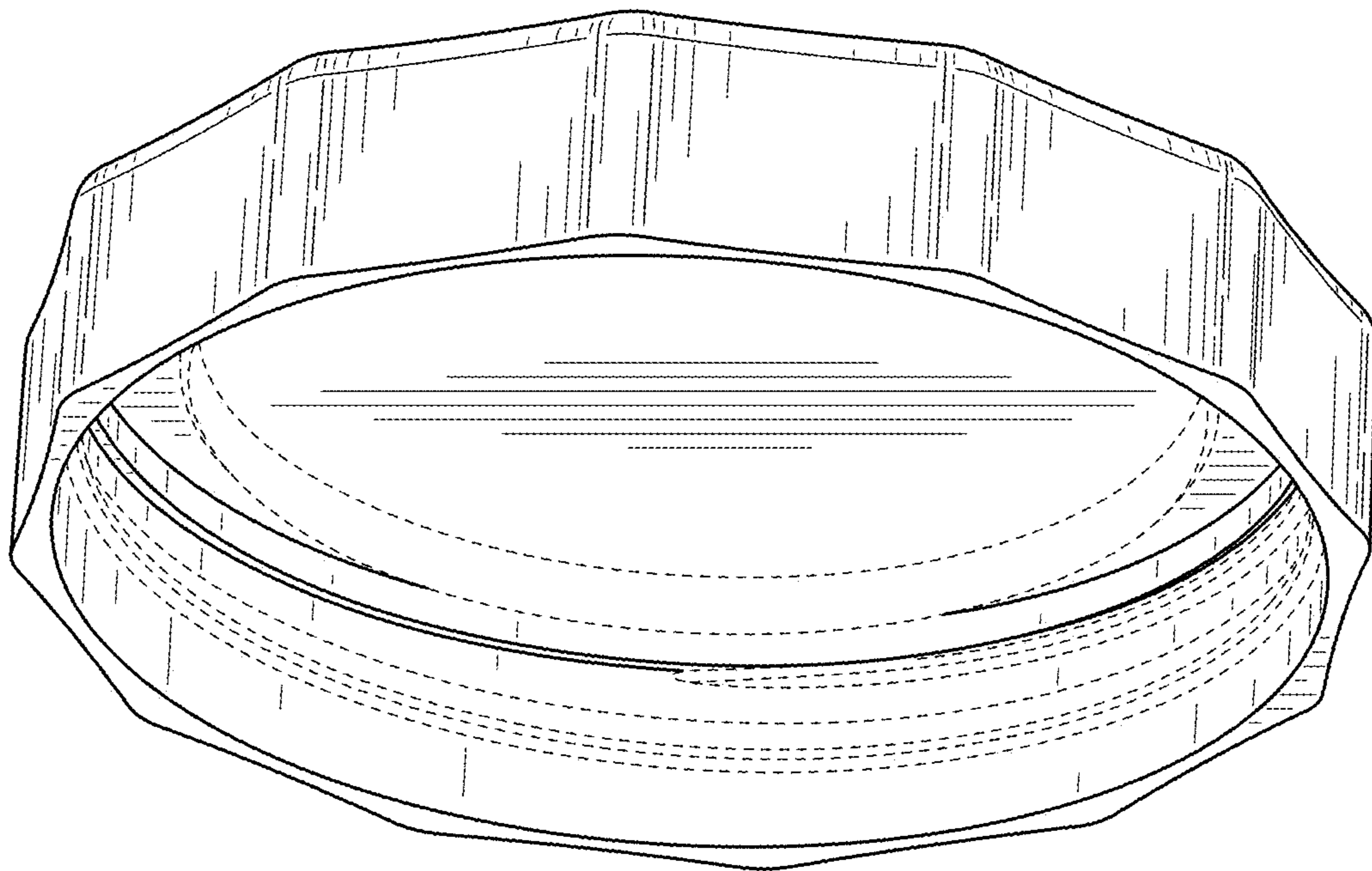


FIG. 3

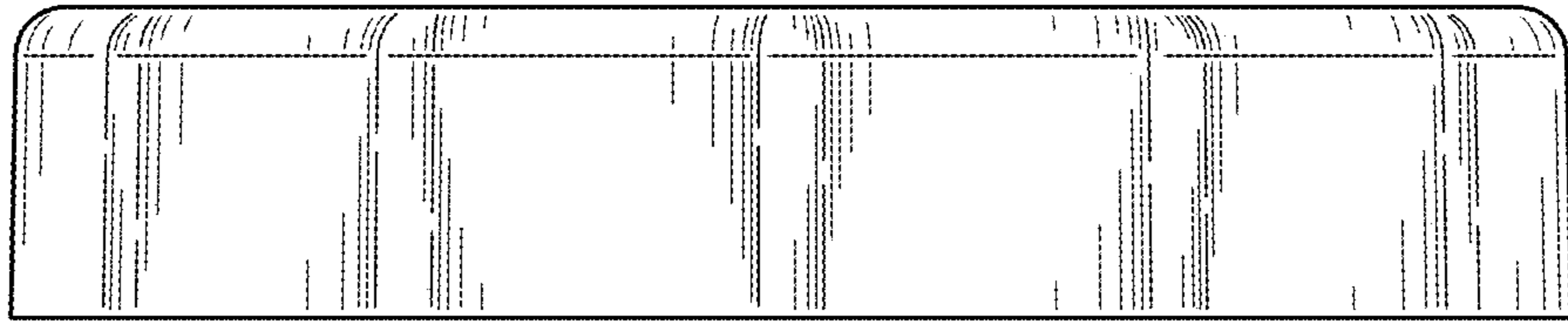


FIG. 4

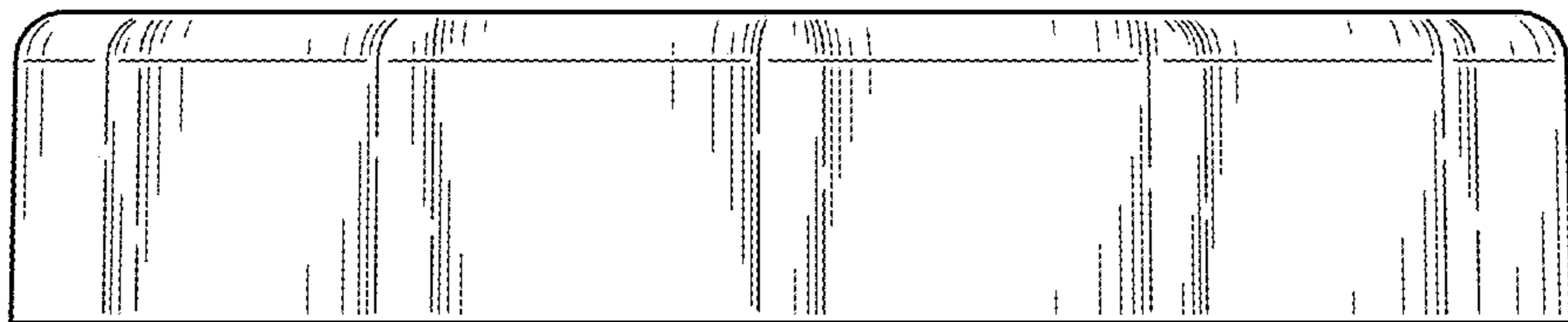


FIG. 5

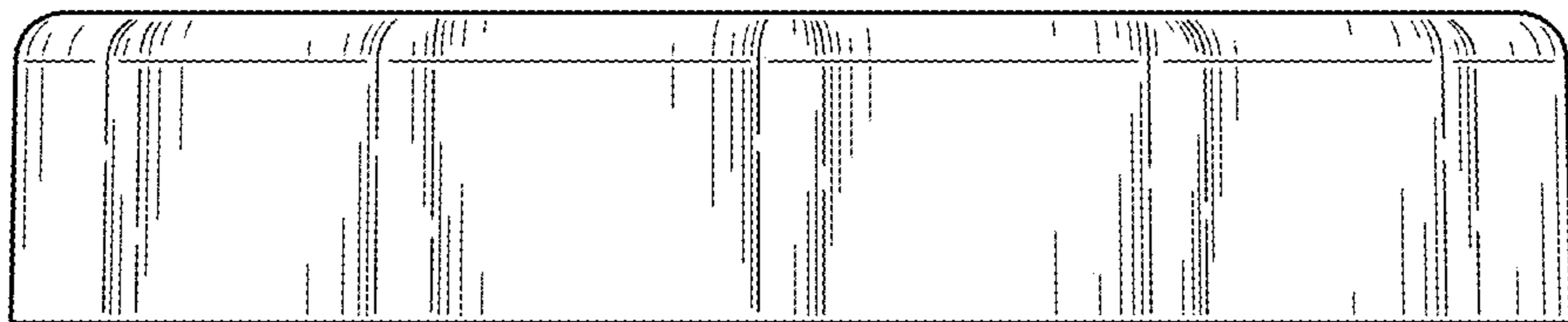


FIG. 6

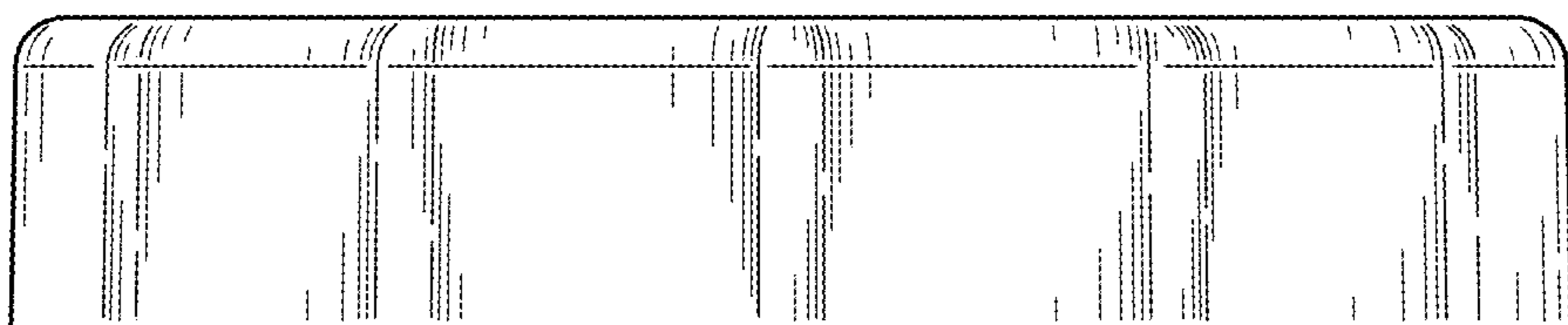


FIG. 7

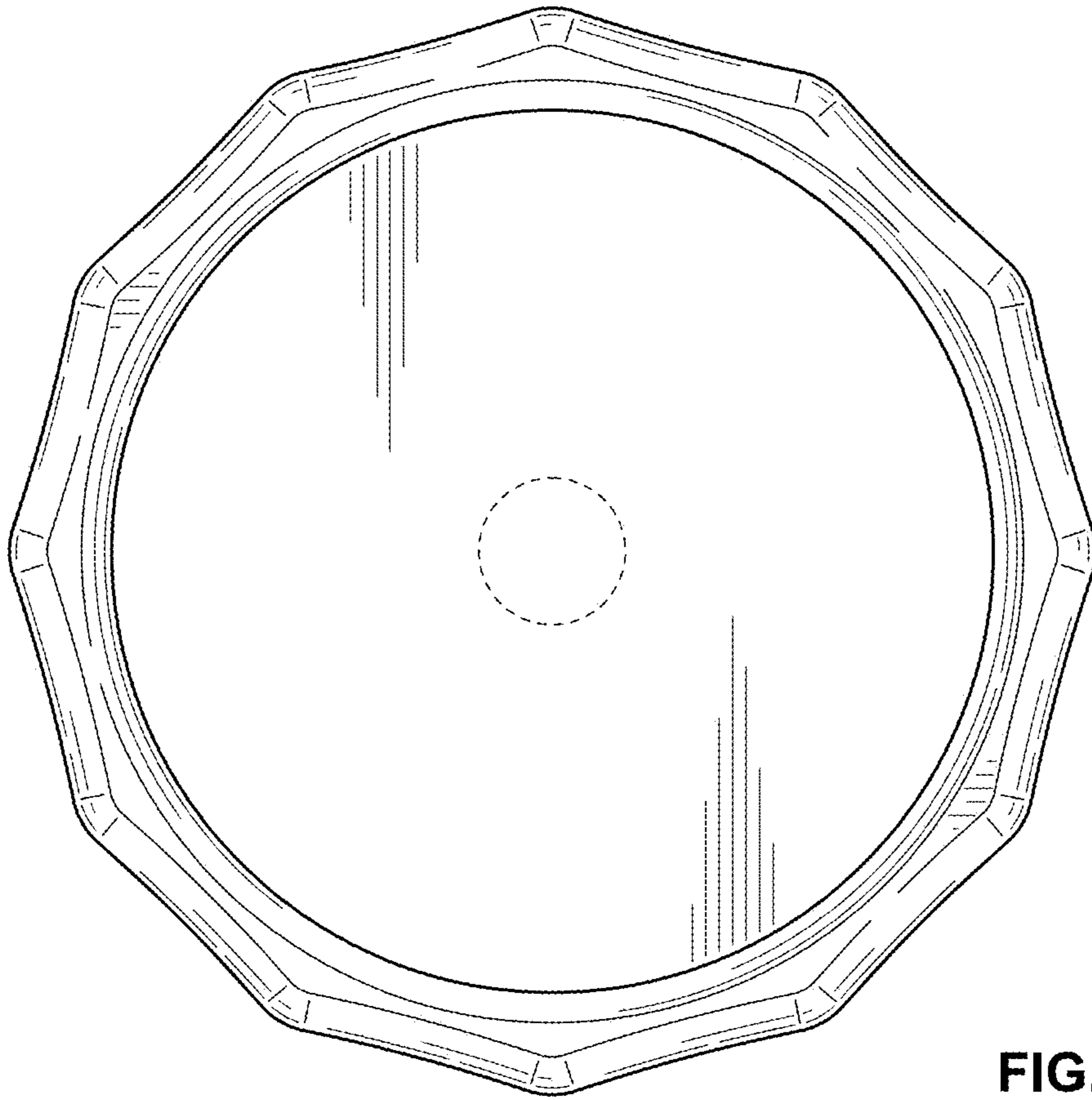


FIG. 8

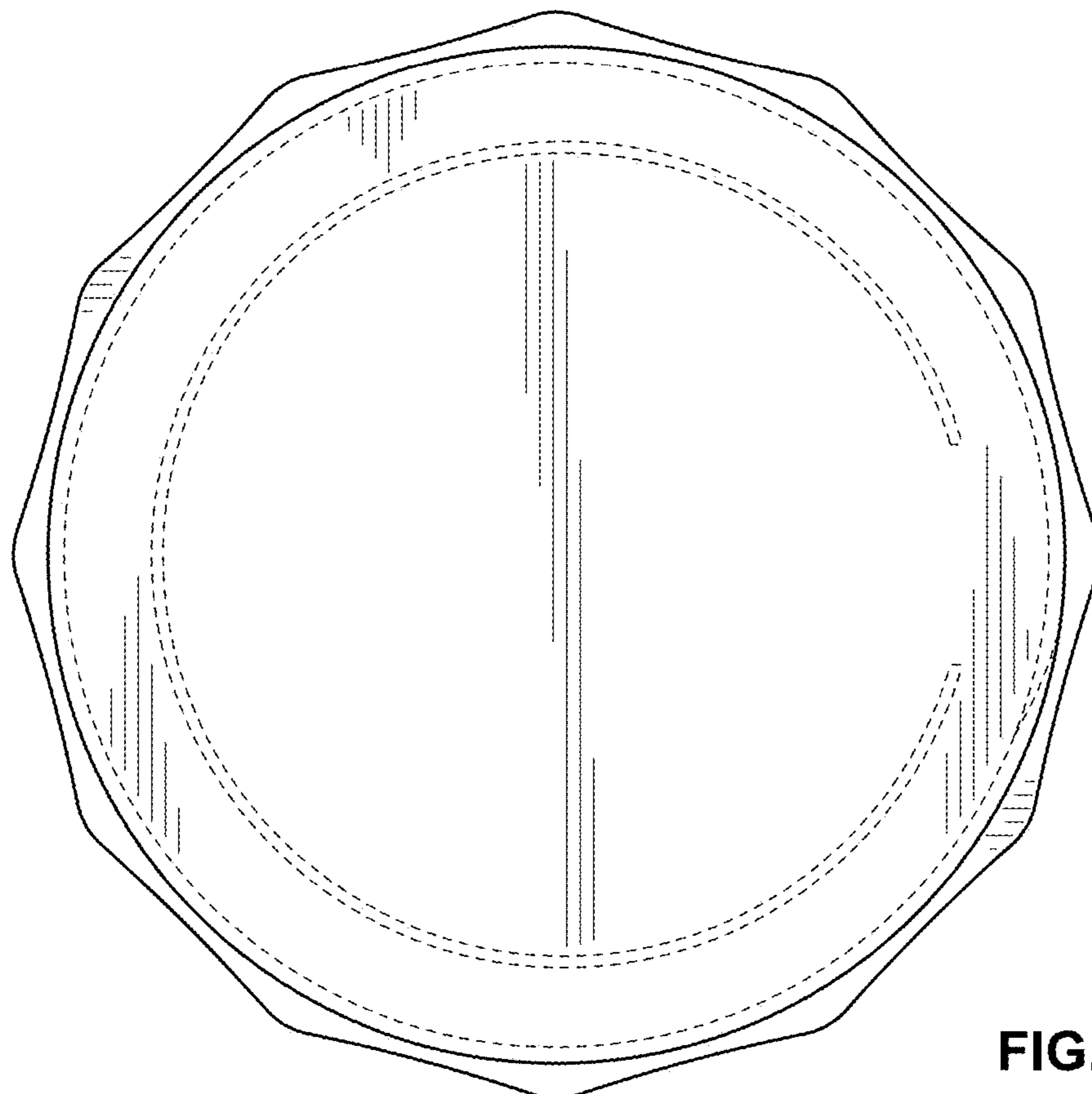


FIG. 9