



US00D881640S

(12) **United States Design Patent**
Nichols et al.

(10) **Patent No.:** **US D881,640 S**
(45) **Date of Patent:** **** Apr. 21, 2020**

(54) **CONTAINER LID**

(71) Applicant: **YETI Coolers, LLC**, Austin, TX (US)

(72) Inventors: **Steve Charles Nichols**, Austin, TX (US); **Edward Naguit Abante**, Austin, TX (US); **Evan Goldberg**, Austin, TX (US); **Roy Joseph Seiders**, Austin, TX (US)

(73) Assignee: **YETI Coolers, LLC**, Austin, TX (US)

(**) Term: **15 Years**

(21) Appl. No.: **29/660,298**

(22) Filed: **Aug. 20, 2018**

(51) **LOC (12) Cl.** **07-99**

(52) **U.S. Cl.**
USPC **D7/392.1; D7/392; D7/900**

(58) **Field of Classification Search**
USPC **D7/392, 392.1, 510, 511, 536, 900; D9/447, 503, 532, 549**
CPC **B65D 81/3869; B65D 41/0407; B65D 39/00; A47J 41/0011**
See application file for complete search history.

(56) **References Cited**

U.S. PATENT DOCUMENTS

- 4,867,303 A * 9/1989 Beckerman B65D 43/0214
206/467
- D528,910 S * 9/2006 Kingsley D7/392.1
- D767,390 S * 9/2016 Miksovsky D7/392.1
- D797,498 S * 9/2017 Sorensen D7/396.2
- D817,085 S * 5/2018 Davis D7/392.1
- D831,414 S * 10/2018 Diener D7/392

- D839,476 S * 1/2019 Whetsel B65D 25/54
D27/189
- D848,786 S * 5/2019 Bujalska D7/392.1
- 2009/0235701 A1 * 9/2009 Lin A47J 41/0011
70/165

OTHER PUBLICATIONS

Amazon website, Yeti Rambler Bottle MagDock Cap Accessory, Earliest comment date May 5, 2019, [site visited Jun. 30, 2019], Available on the Internet URL <https://www.amazon.com/YETI-Rambler-Bottle-MagDock-Accessory/dp/B07PS5896H> (Year: 2019).*

* cited by examiner

Primary Examiner — Karen S Acker

Assistant Examiner — Steven B Reinholdt, Jr.

(74) *Attorney, Agent, or Firm* — Banner & Witcoff, Ltd.

(57) **CLAIM**

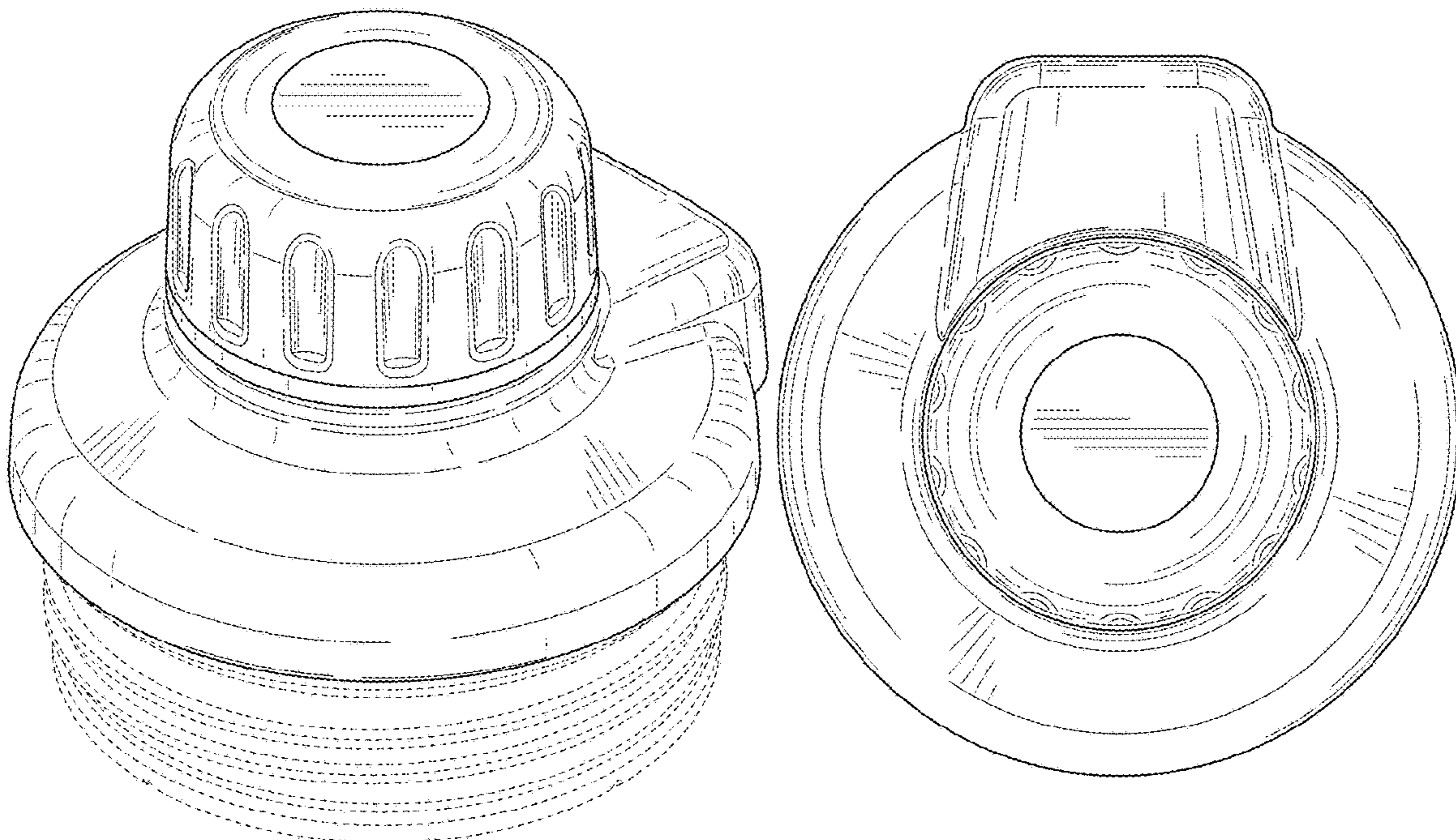
The ornamental design for a container lid, as shown and described.

DESCRIPTION

FIG. 1 is a top, front, right perspective view of a container lid showing our new design;
FIG. 2 is a front view thereof;
FIG. 3 is a rear view thereof;
FIG. 4 is a right side view thereof;
FIG. 5 is a left side view thereof;
FIG. 6 is a top view thereof; and,
FIG. 7 is a bottom view thereof.

The dashed lines immediately adjacent to the shaded area define the bounds of the claimed design and form no part thereof. The dashed lines depict portions of the container lid that form no part of the claimed design.

1 Claim, 4 Drawing Sheets



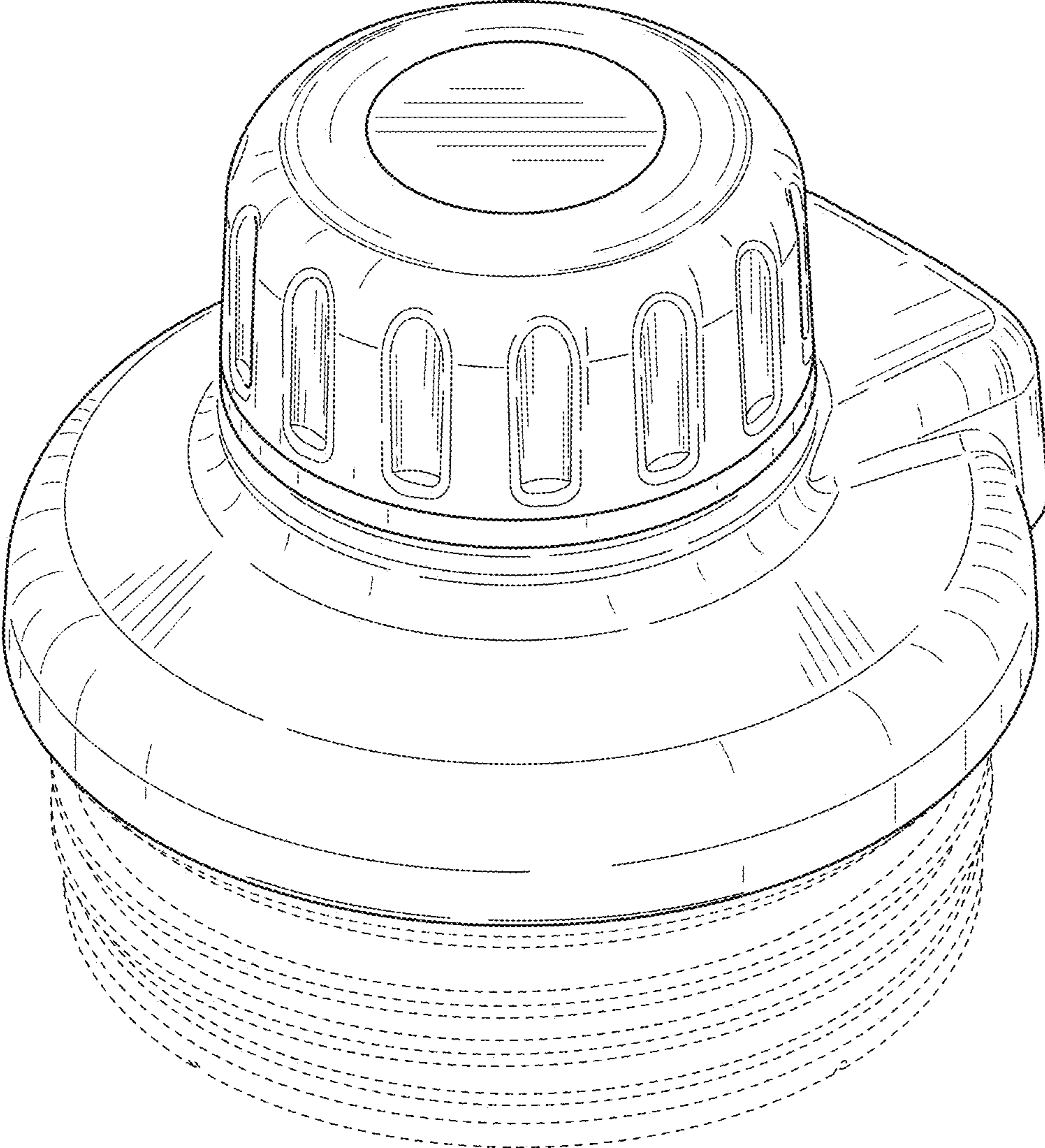


FIG. 1

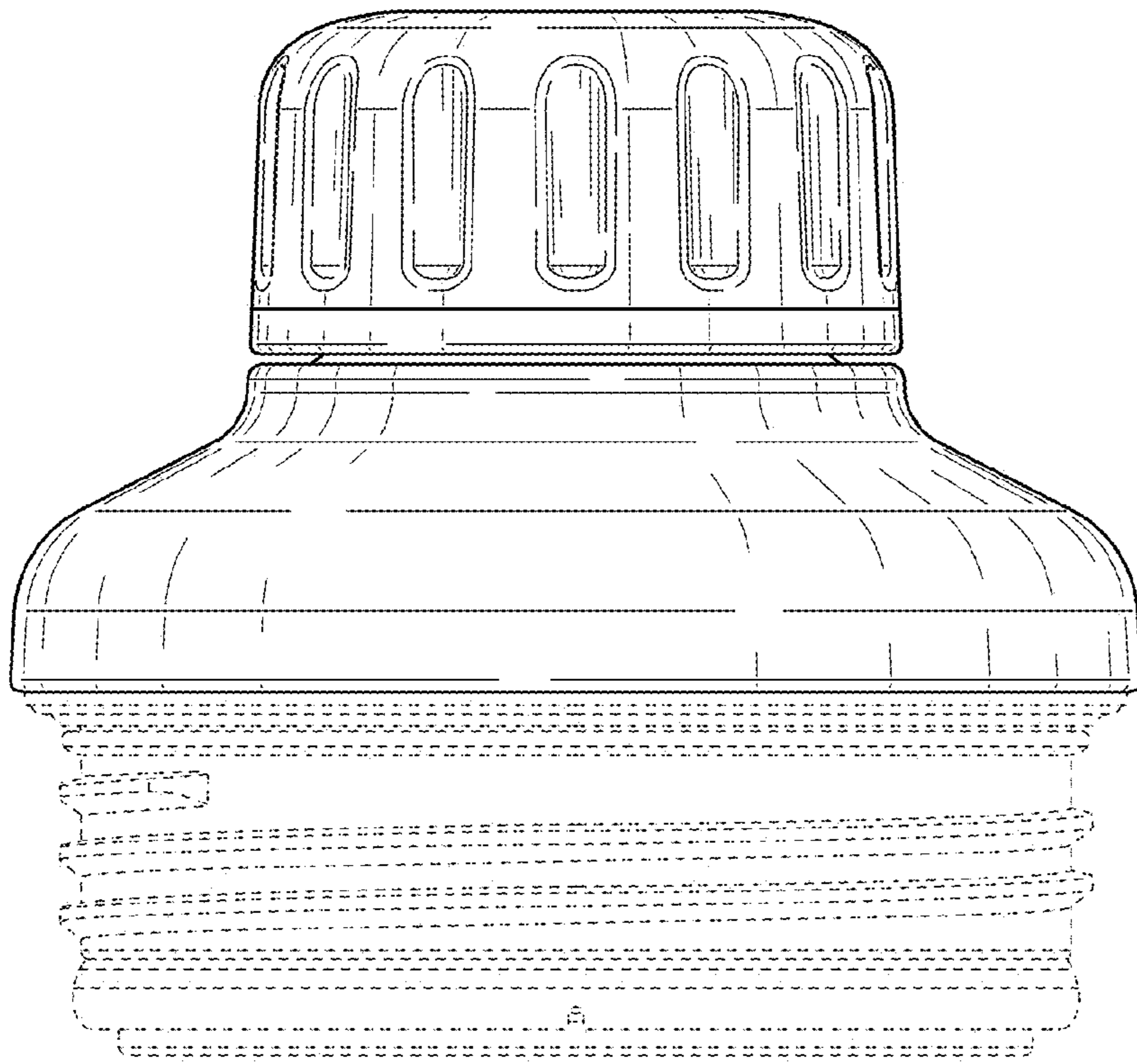


FIG. 2

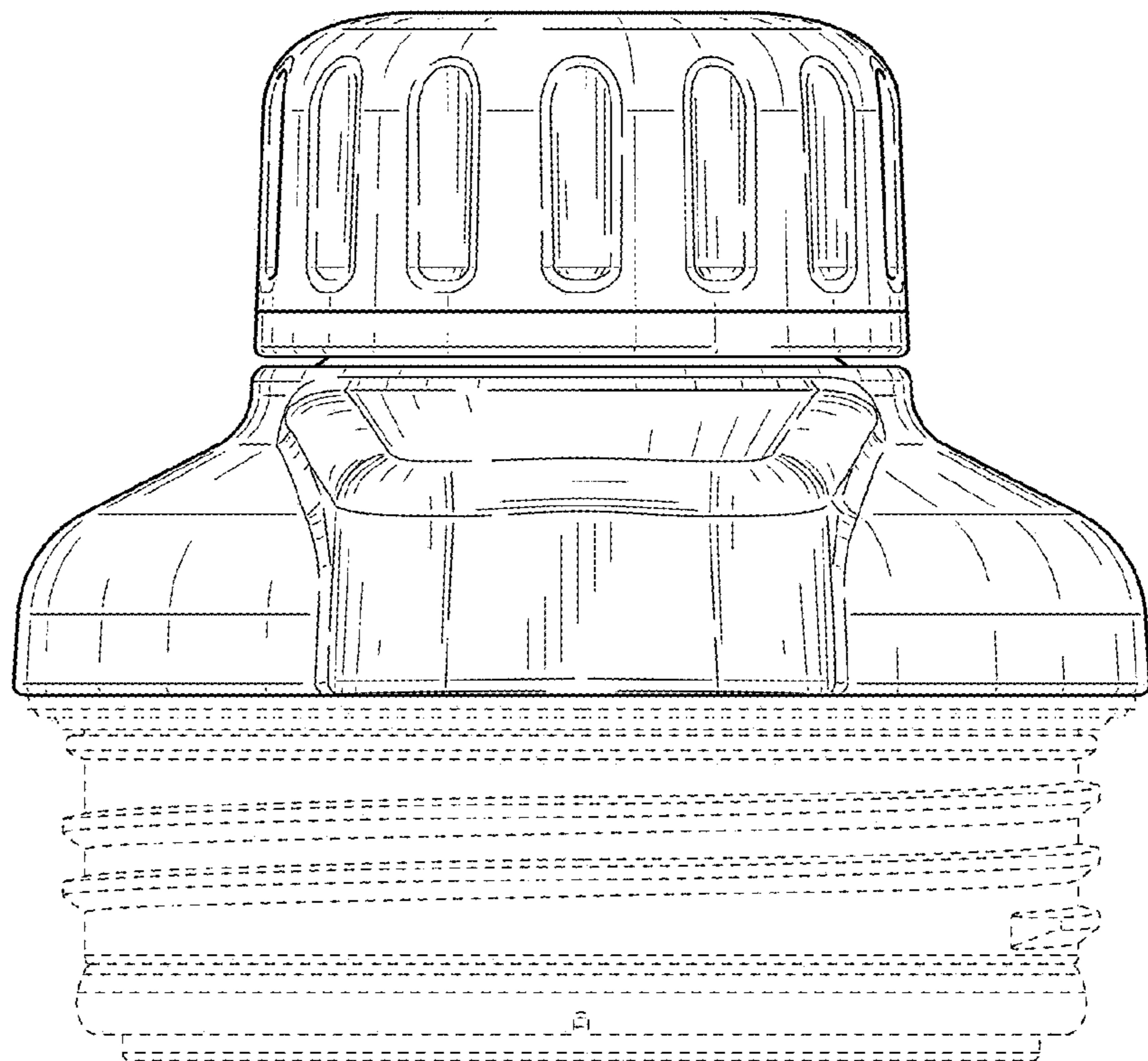


FIG. 3

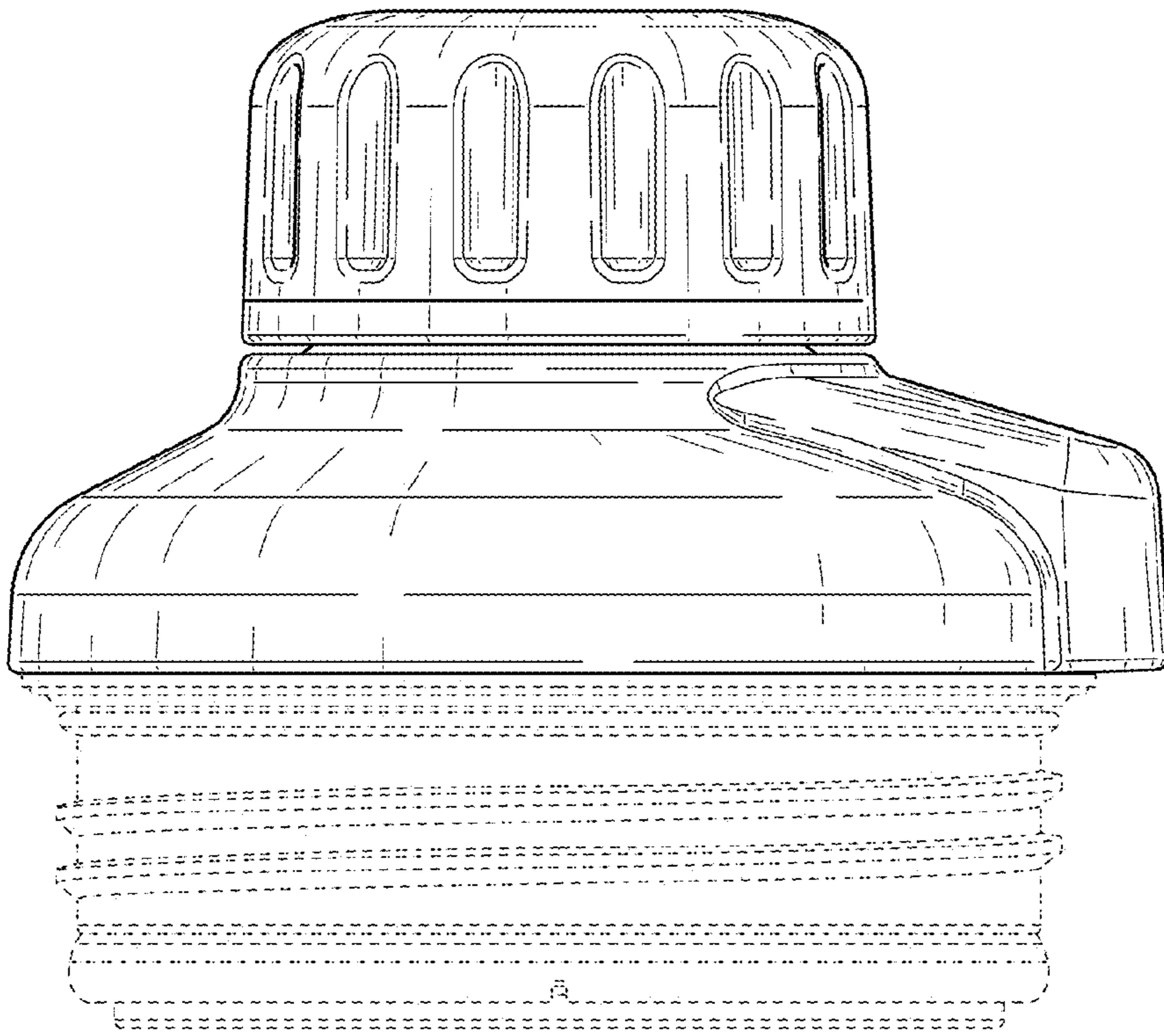


FIG. 4

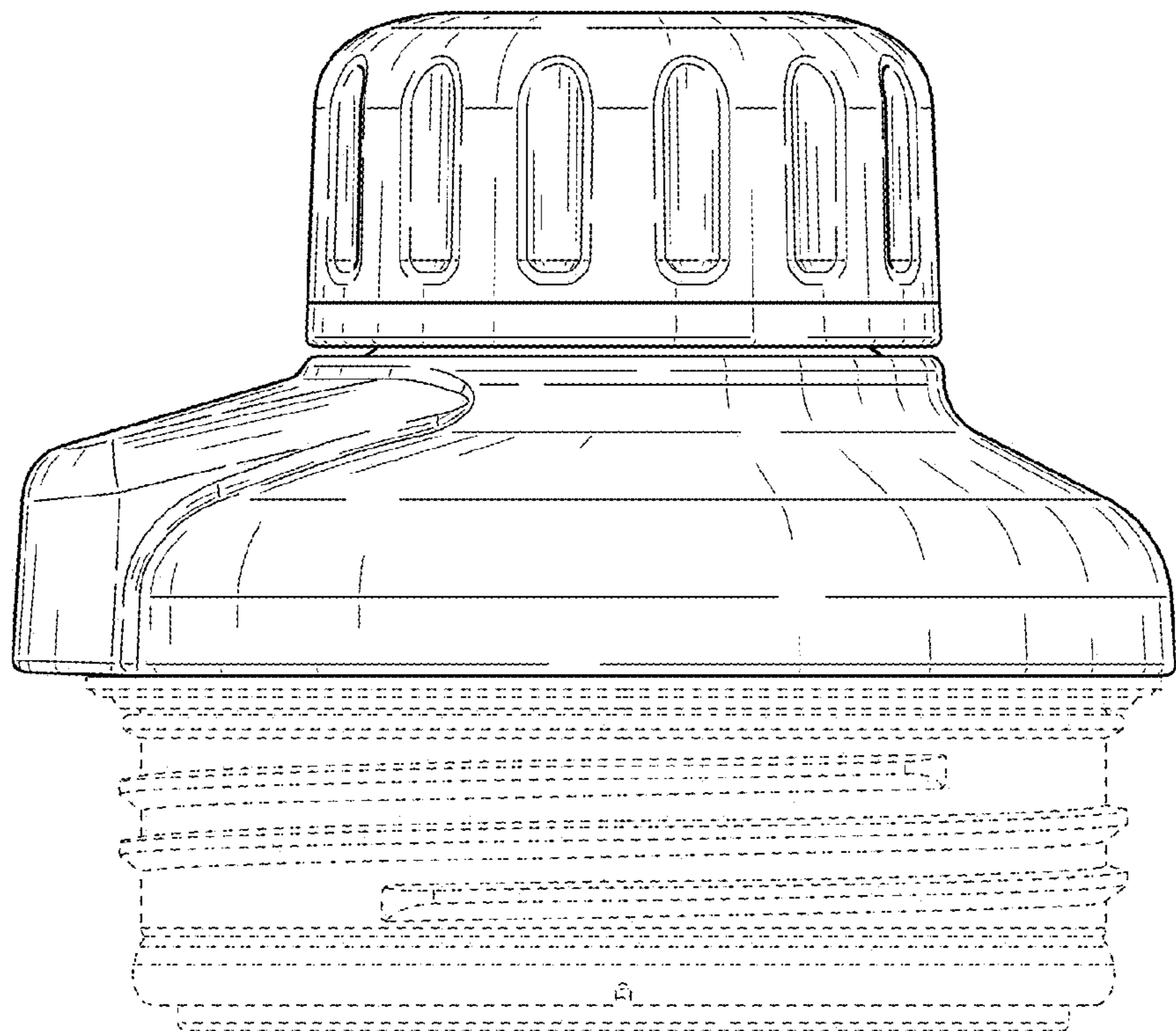


FIG. 5

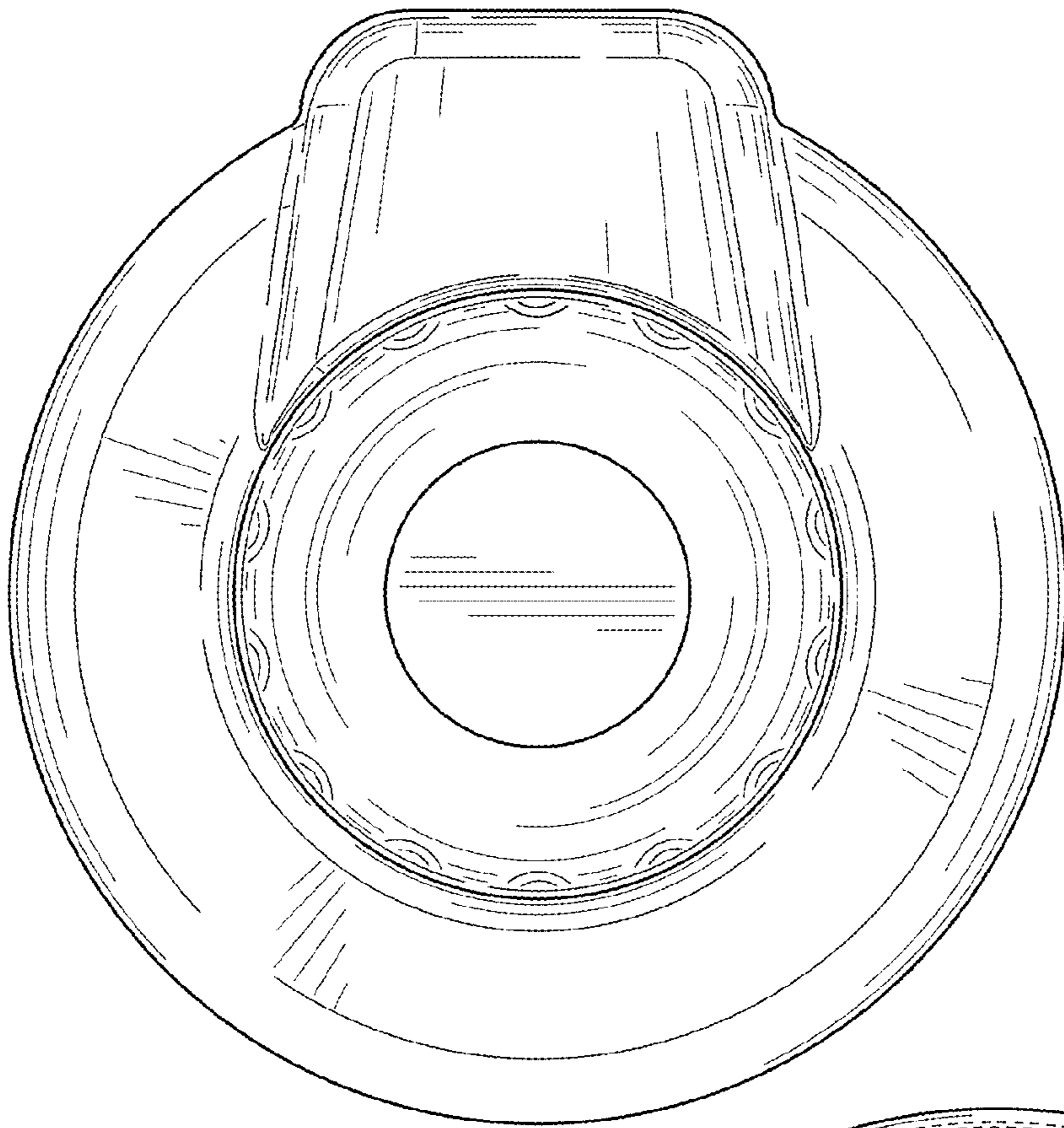


FIG. 6

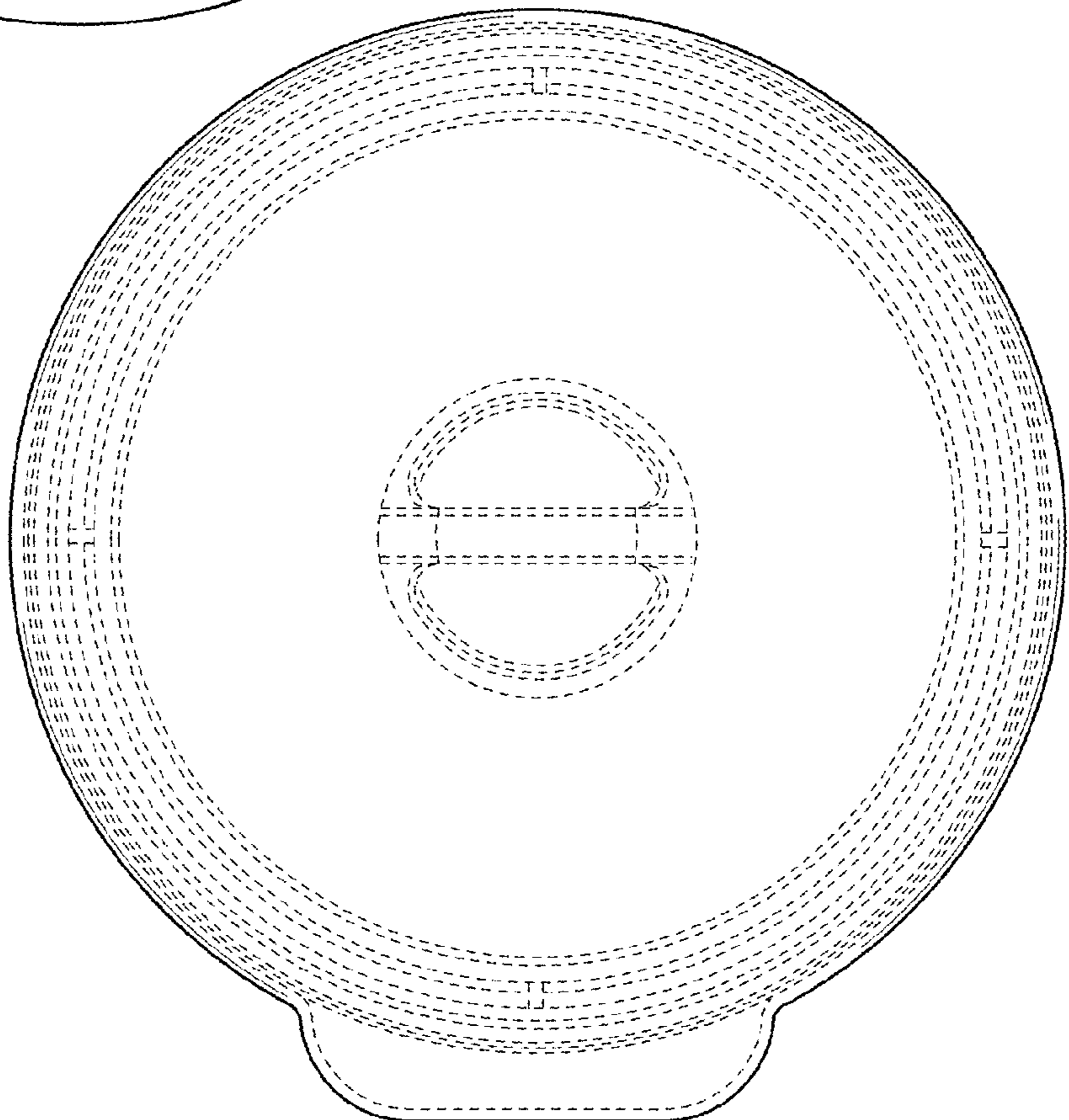


FIG. 7