



US00D881636S

(12) **United States Design Patent** (10) **Patent No.:** **US D881,636 S**
Symons (45) **Date of Patent:** **** Apr. 21, 2020**

(54) **FROTHING DEVICE**
(71) Applicant: **Dominic Symons**, Singapore (SG)
(72) Inventor: **Dominic Symons**, Singapore (SG)
(**) Term: **15 Years**
(21) Appl. No.: **29/720,769**
(22) Filed: **Jan. 15, 2020**
(51) **LOC (12) Cl.** **31-00**
(52) **U.S. Cl.**
USPC **D7/380**; D7/376; D7/378; D7/379
(58) **Field of Classification Search**
USPC D7/372, 376–386, 395, 397, 412–413,
D7/602, 629, 665–666, 669, 679,
D7/693–694; D23/207
CPC A21C 1/02; A21C 1/04; A23N 1/00; A23N
1/02; A47J 43/04; A47J 43/25; A47J
43/27; A47J 43/042; A47J 43/044; A47J
43/046; A47J 43/075; A47J 43/0705;
A47J 43/0722; A47J 43/0727; B01F 3/00;
B01F 3/0807; B01F 3/0853; B01F
13/0059; B01F 13/0064; B02C 1/08;
B02C 2/04; B02C 4/42; B02C 4/142;
B02C 4/143; B02C 4/423; B02C 13/1835;
B28C 5/10; B28C 5/12; B28C 5/14;
B28C 5/16
See application file for complete search history.

(56) **References Cited**
U.S. PATENT DOCUMENTS
D327,603 S * 7/1992 van Asten D7/376
6,231,909 B1 5/2001 Levinson
6,283,625 B2 9/2001 Frankel
6,558,035 B2 * 5/2003 Lane A47J 43/0705
366/129
D493,330 S * 7/2004 Lane D7/376
D607,686 S 1/2010 Elissen
D613,988 S 4/2010 Lane

D623,009 S * 9/2010 Bodum D7/376
D630,467 S 1/2011 Harrod
D646,522 S 10/2011 Collinson
D655,568 S 3/2012 Chapman
D703,479 S 4/2014 Norland
8,688,277 B2 4/2014 Studor
D713,929 S * 9/2014 Zaji D23/207
D730,689 S * 6/2015 Bodum D7/412
D799,913 S 10/2017 Ryan
D805,345 S * 12/2017 Ho D7/380
D812,421 S * 3/2018 Schaarschmidt D7/397
10,034,572 B2 7/2018 Caruso
2016/0213192 A1 7/2016 Caruso
2016/0227960 A1 8/2016 DellaContrada

OTHER PUBLICATIONS

https://www.amazon.com/PowerLix-COMLETE-Cappuccino-Chocolate-Stainless/dp/B06X6JLZ1T?ref_=bl_dp_s_web_15988591011; printed May 2, 2019 (11 pages).

(Continued)

Primary Examiner — Ricky Pham
(74) *Attorney, Agent, or Firm* — Todd R. Miller

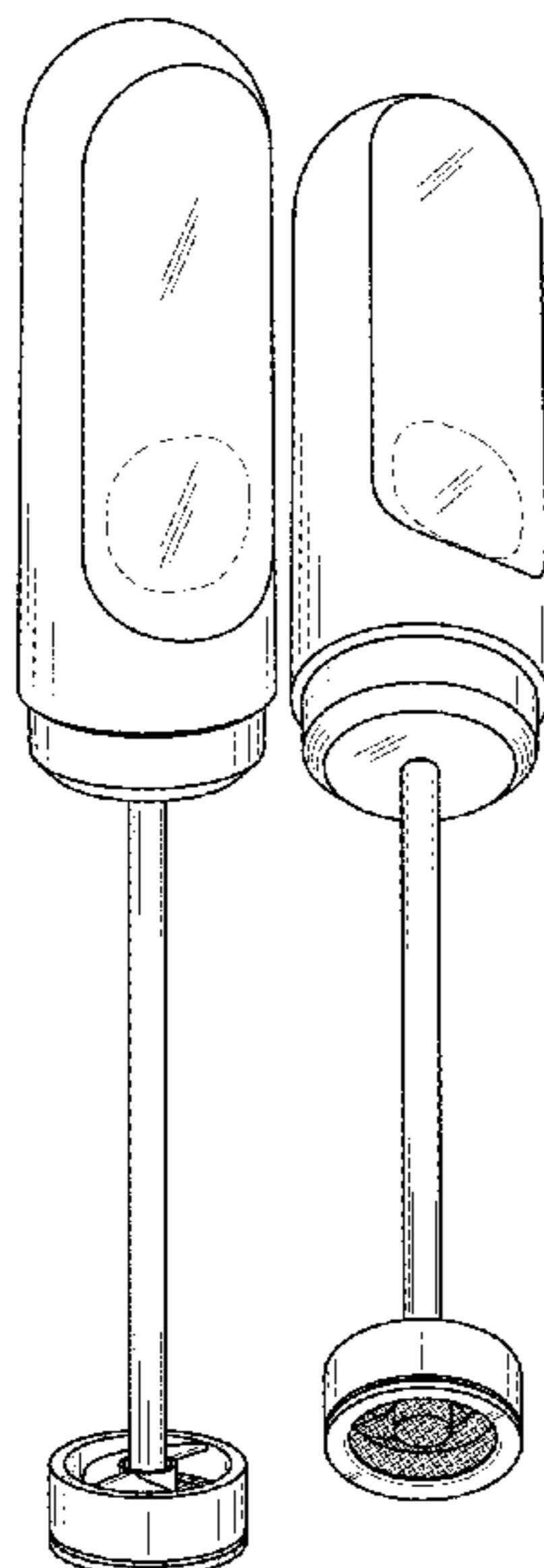
(57) **CLAIM**

The ornamental design for a frothing device, as shown and described.

DESCRIPTION

FIG. 1 is a top perspective view embodying the inventive design;
FIG. 2 is a bottom perspective view thereof;
FIG. 3 is a front view thereof;
FIG. 4 is a right side thereof, with the left side being a mirror image of the right side;
FIG. 5 is a rear view thereof; and,
FIG. 6 is a bottom view thereof.
The broken lines shown in the drawings are for illustrative purposes only and form no part of the claimed design.

1 Claim, 4 Drawing Sheets



(56)

References Cited

OTHER PUBLICATIONS

[https://www.amazon.com/Aerolatte-Handheld-Frother-Stand-Black/dp/B0...vzzt6wgi\[i\]kfy7t\[d\]D\[z\]m\[t\]w\[r\]google.com&tag=thestrategistsite-20](https://www.amazon.com/Aerolatte-Handheld-Frother-Stand-Black/dp/B0...vzzt6wgi[i]kfy7t[d]D[z]m[t]w[r]google.com&tag=thestrategistsite-20), printed May 2, 2019 (10 pages).

[https://www.amazon.com/Secura-Automatic-Electric-Frother-Warmer/dp/B00JEPP64C?ascsubtag=\[st\[p\]c\]ngbl25c0079egy6vzzt6wgi\[i\]T9fGkV\[d\]D\[z\]m\[t\]w\[r\]google.com&tag=thestrategistsite-20](https://www.amazon.com/Secura-Automatic-Electric-Frother-Warmer/dp/B00JEPP64C?ascsubtag=[st[p]c]ngbl25c0079egy6vzzt6wgi[i]T9fGkV[d]D[z]m[t]w[r]google.com&tag=thestrategistsite-20), printed May 2, 2019 (10 pages).

[https://www.amazon.com/Nespresso-3694-US-BK-Aeroccino3-Frother-Black/dp/B06XHWQJKN?ascsubtag=\[st\[p\]c\]ngbl25c0079egy6vzzt6wgi\[i\]lmfKKO\[d\]D\[z\]m\[t\]w\[r\]google.com&tag=thestrategistsite-20](https://www.amazon.com/Nespresso-3694-US-BK-Aeroccino3-Frother-Black/dp/B06XHWQJKN?ascsubtag=[st[p]c]ngbl25c0079egy6vzzt6wgi[i]lmfKKO[d]D[z]m[t]w[r]google.com&tag=thestrategistsite-20), printed May 2, 2019 (8 pages).

[https://www.amazon.com/Bodum-Latteo-Frother-Glass-Handle/dp/B00E99MM18/?ascsubtag=\[st\[p\]c\]ngbl25c0079egy6vzzt6wgi\[i\]gPOB3X\[d\]D\[z\]m\[t\]w\[r\]google.com&tag=thestrategistsite-20](https://www.amazon.com/Bodum-Latteo-Frother-Glass-Handle/dp/B00E99MM18/?ascsubtag=[st[p]c]ngbl25c0079egy6vzzt6wgi[i]gPOB3X[d]D[z]m[t]w[r]google.com&tag=thestrategistsite-20), printed May 2, 2019 (9 pages).

[https://www.amazon.com/gp/product/B000X7GF40?ascsubtag=\[st\[p\]c\]ngbl25c0079egy6vzzt6wgi\[i\]fBT2xv\[d\]D\[z\]m\[t\]w\[r\]google.com&tag=thestrategistsite-20](https://www.amazon.com/gp/product/B000X7GF40?ascsubtag=[st[p]c]ngbl25c0079egy6vzzt6wgi[i]fBT2xv[d]D[z]m[t]w[r]google.com&tag=thestrategistsite-20), printed May 2, 2019 (7 pages).

[https://www.amazon.com/Mr-Coffee-Barista-Espresso-Cappuccino/dp/B007K9OIMU/?ascsubtag=\[st\[p\]c\]ngbl25c0079egy6vzzt6wgi\[i\]UWpB9f\[d\]D\[z\]m\[t\]w\[r\]google.com&tag=thestrategistsite-20](https://www.amazon.com/Mr-Coffee-Barista-Espresso-Cappuccino/dp/B007K9OIMU/?ascsubtag=[st[p]c]ngbl25c0079egy6vzzt6wgi[i]UWpB9f[d]D[z]m[t]w[r]google.com&tag=thestrategistsite-20), printed May 2, 2019 (9 pages).

<http://nymag.com/strategist/article/best-milk-frothers.html>, printed May 2, 2019 (8 pages).

* cited by examiner

FIG. 1

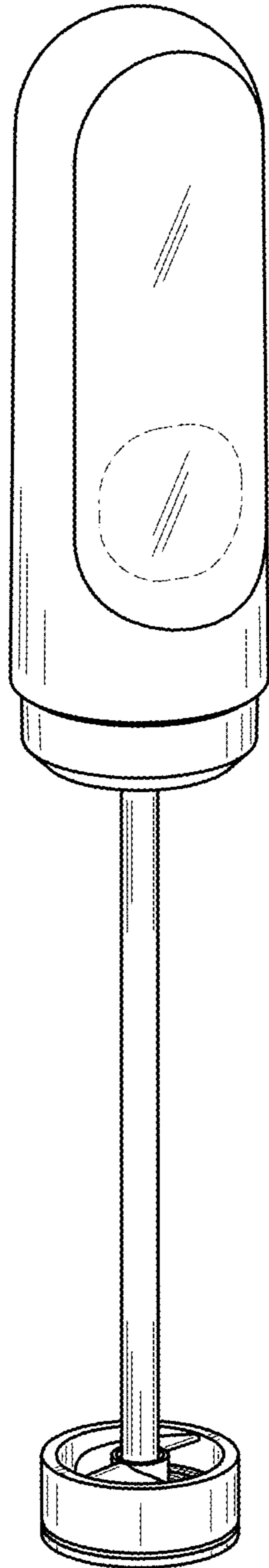
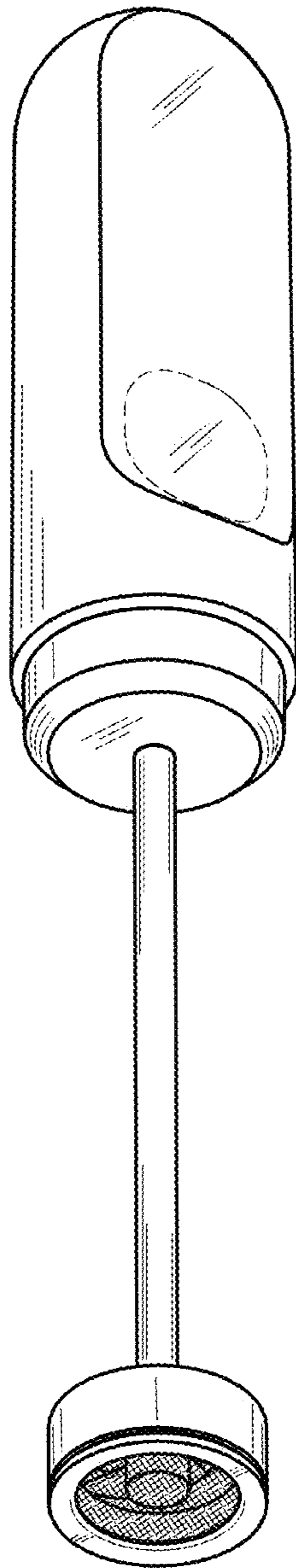


FIG. 2



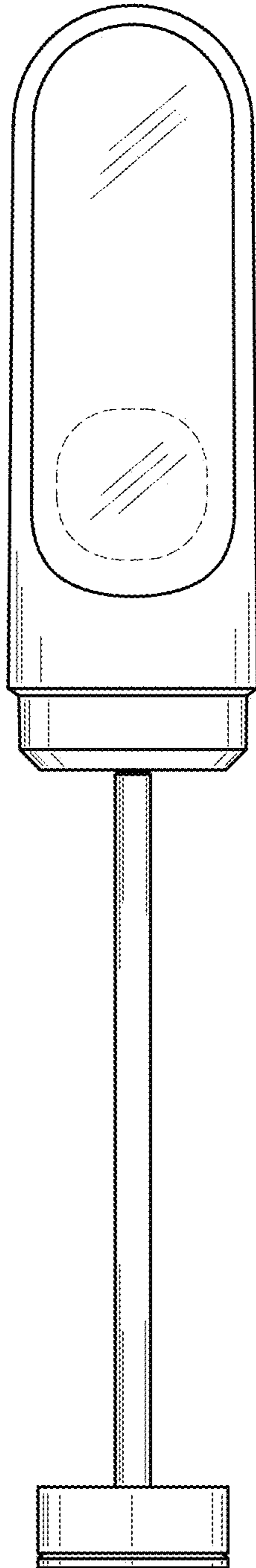


FIG. 3

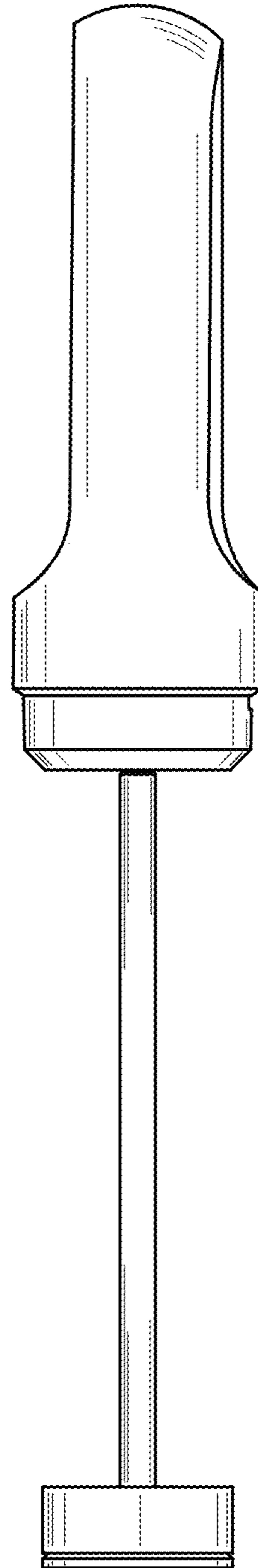


FIG. 4

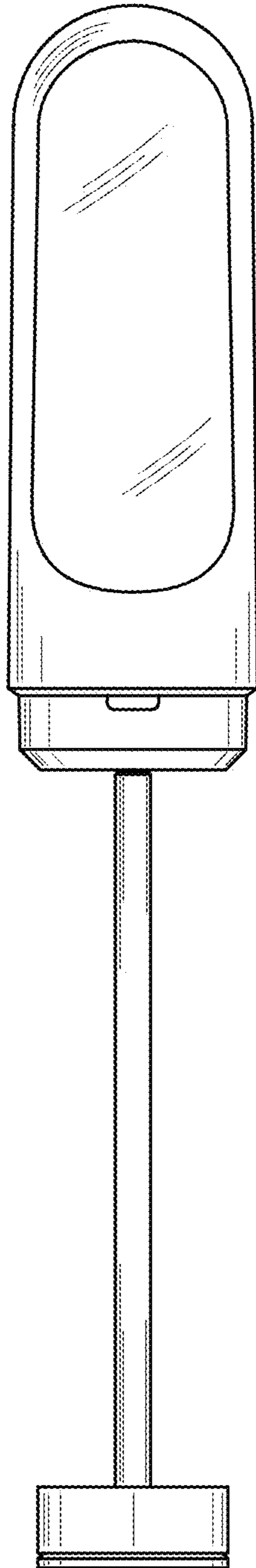


FIG. 5

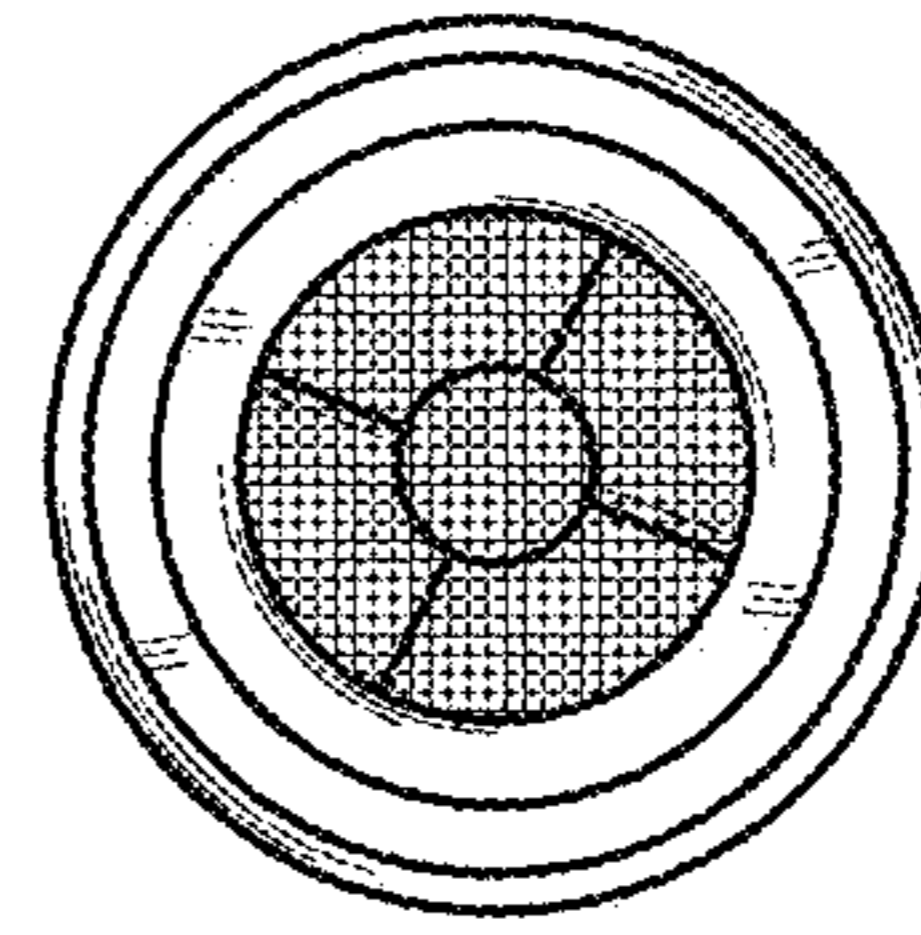


FIG. 6