



US00D881635S

(12) **United States Design Patent**  
**Mgaieth**

(10) **Patent No.:** **US D881,635 S**

(45) **Date of Patent:** **\*\* Apr. 21, 2020**

(54) **COOKING PLATE**

(71) Applicant: **Yoann Mgaieth**, Los Angeles, CA (US)

(72) Inventor: **Yoann Mgaieth**, Los Angeles, CA (US)

(\*\*) Term: **15 Years**

(21) Appl. No.: **35/505,733**

(22) Filed: **Mar. 27, 2018**

(80) **Hague Agreement Data**

Int. Filing Date: **Mar. 27, 2018**

Int. Reg. No.: **DM/100591**

Int. Reg. Date: **Mar. 27, 2018**

Int. Reg. Pub. Date: **Sep. 28, 2018**

(51) **LOC (12) Cl.** ..... **07-02**

(52) **U.S. Cl.**  
USPC ..... **D7/364**

(58) **Field of Classification Search**  
USPC ..... D7/364, 363, 362, 367, 357, 354, 339,  
D7/327, 323, 350.3, 347, 346, 402  
CPC ..... H05B 6/062; H05B 6/065; H05B 1/0266;  
F24C 15/103; A47J 37/10; A47J 37/105  
See application file for complete search history.

(56) **References Cited**

**U.S. PATENT DOCUMENTS**

D71,317 S *	10/1926	Anderson	.....	D7/363
D98,050 S *	1/1936	Brugh	.....	D7/363
D248,208 S *	6/1978	Miller	.....	D7/357
4,145,603 A *	3/1979	Mackay	.....	H05B 3/748 219/387
D401,468 S *	11/1998	Knoll	.....	D7/323
D445,295 S *	7/2001	Su	.....	D7/323
D488,670 S *	4/2004	Chan	.....	D7/357

D491,012 S *	6/2004	Rogers	.....	D7/364
D610,867 S *	3/2010	Chan	.....	D7/364
D617,134 S *	6/2010	Perkins	.....	D7/364
D662,352 S *	6/2012	Josancy	.....	D7/354
D814,849 S *	4/2018	Lee	.....	D7/367
D848,779 S *	5/2019	Szymanski	.....	D7/357

\* cited by examiner

*Primary Examiner* — Robert M. Spear

(74) *Attorney, Agent, or Firm* — Dinsmore & Shohl LLP

(57) **CLAIM**

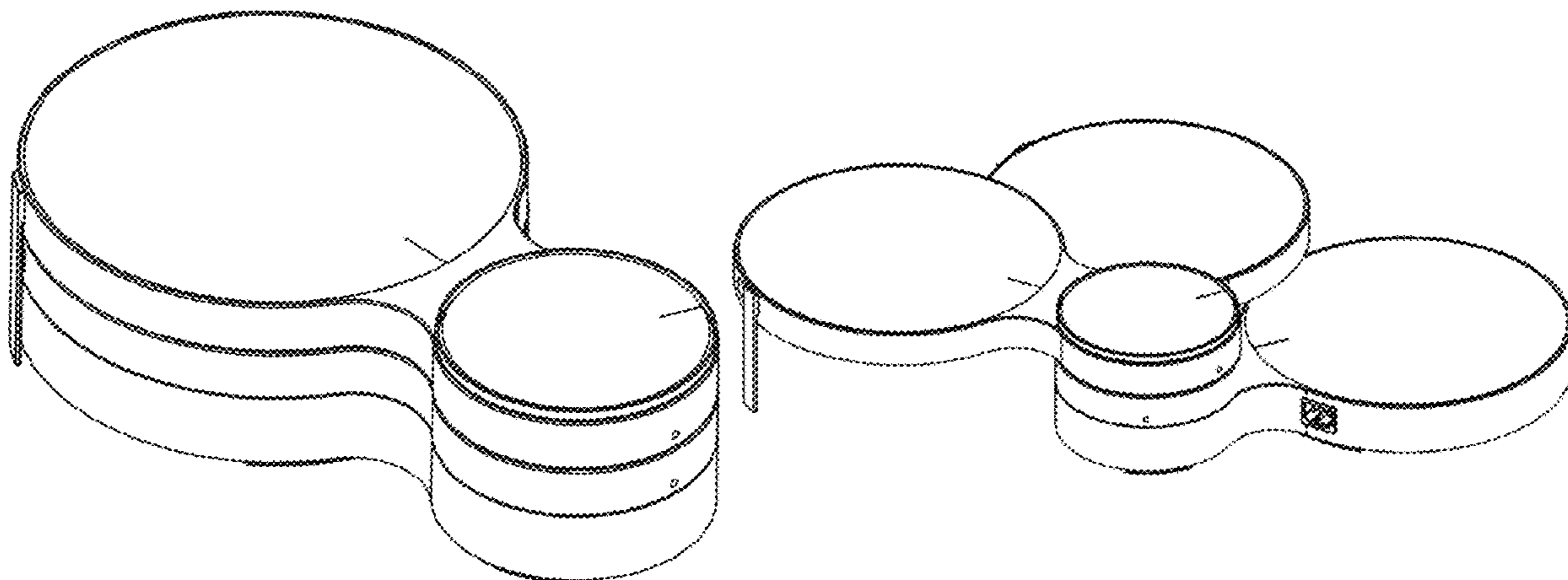
The ornamental design for a cooking plate, as shown and described.

**DESCRIPTION**

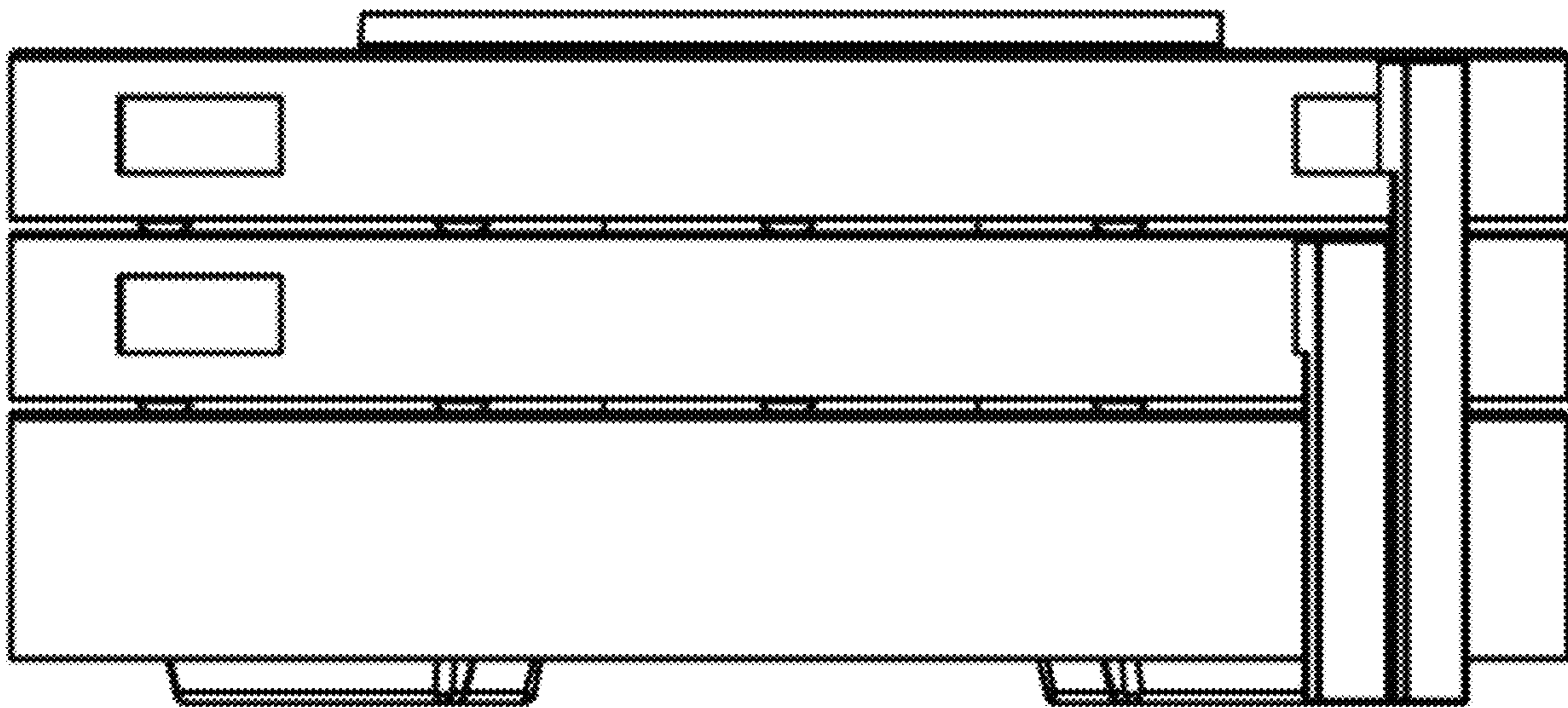
1. Cooking plate
- 1.1 : Back
- 1.2 : Bottom
- 1.3 : Back unfolded
- 1.4 : Front
- 1.5 : Front unfolded
- 1.6 : Bottom unfolded
- 1.7 : Left
- 1.8 : Left unfolded
- 1.9 : Right unfolded
- 1.10 : Perspective
- 1.11 : Perspective unfolded
- 1.12 : Top
- 1.13 : Top unfolded
- 1.14 : Right

The broken line disclosure is understood to depict environmental elements only and forms no part of the claimed design.

**1 Claim, 14 Drawing Sheets**



1.1



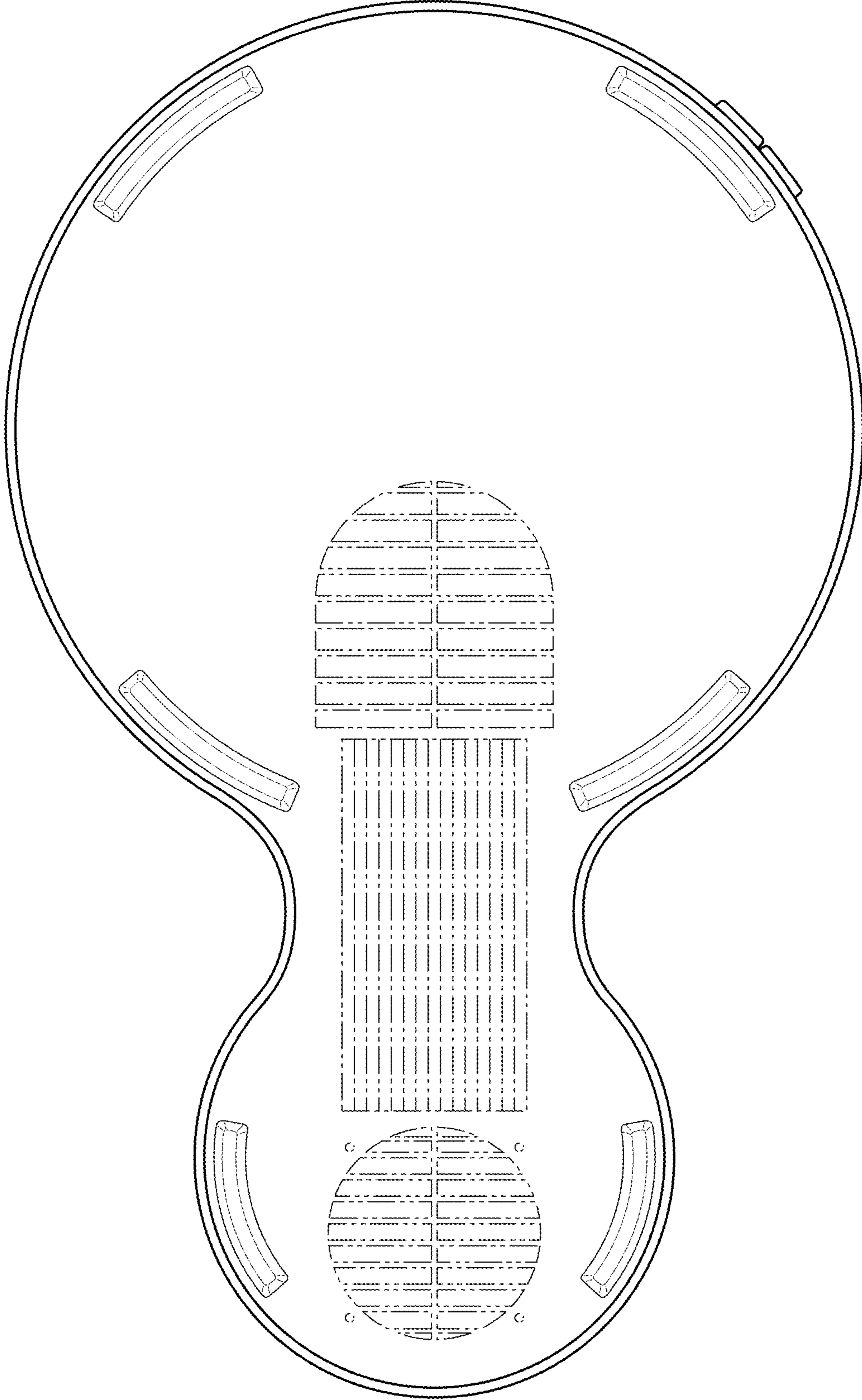
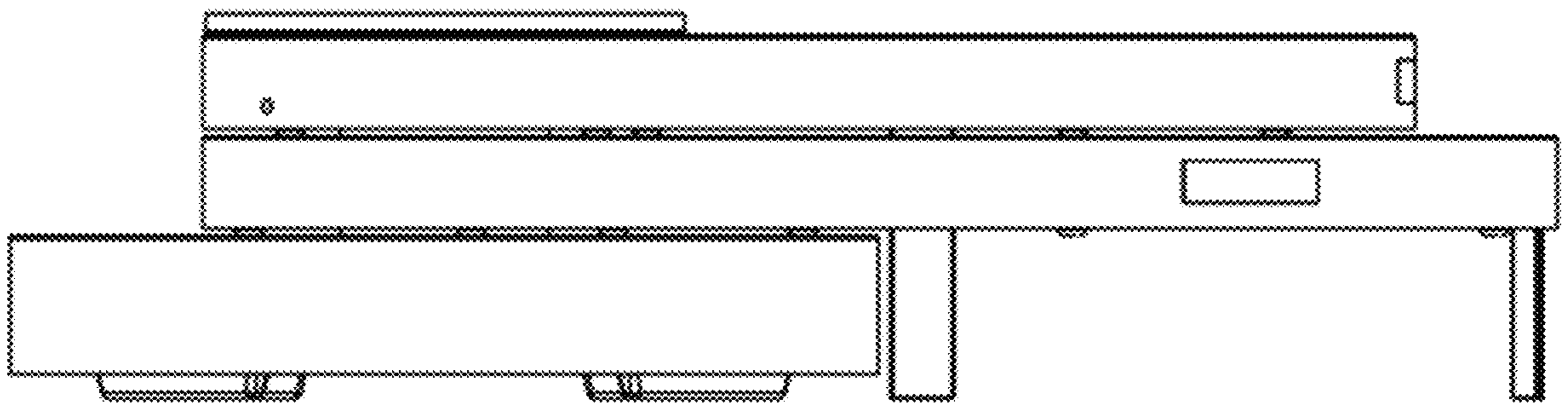


FIG. 1.2

1.3



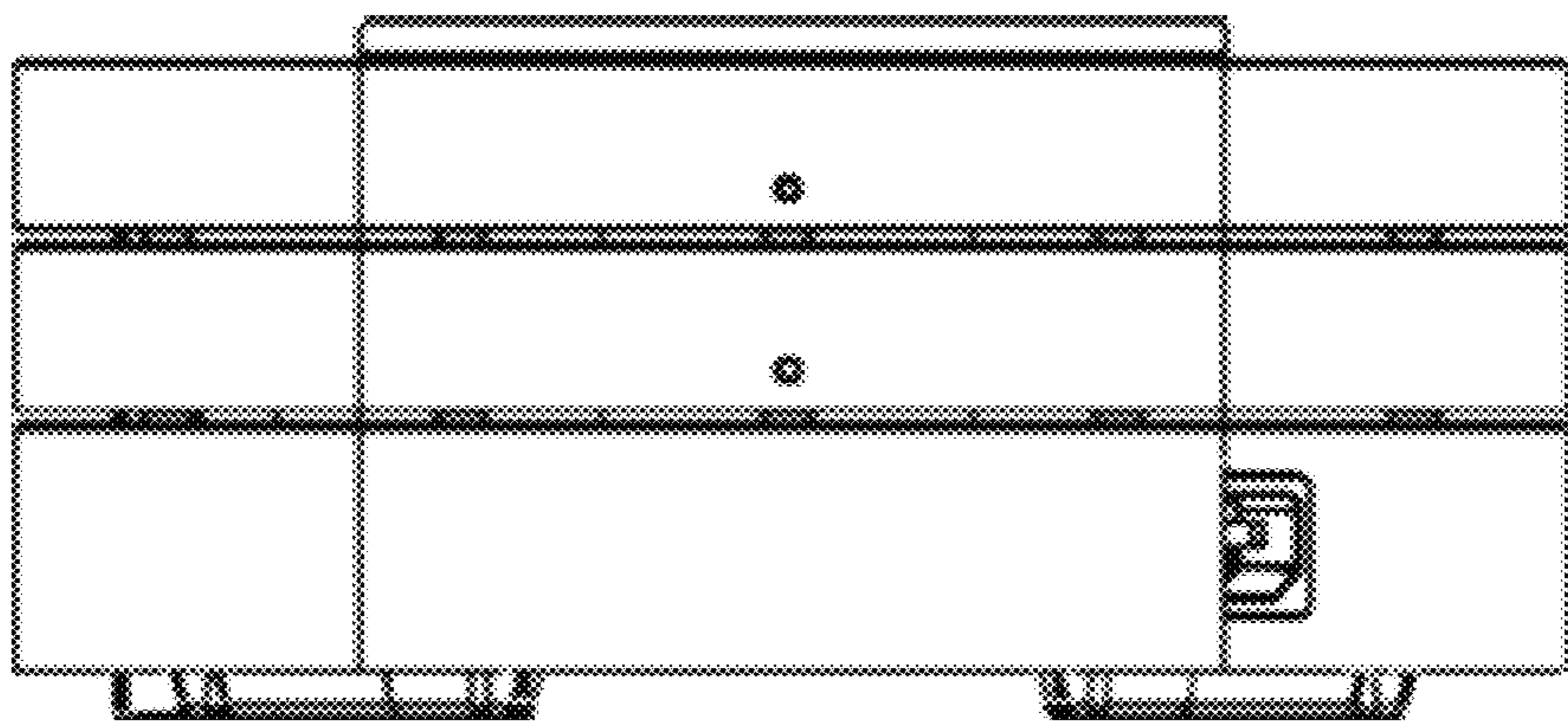
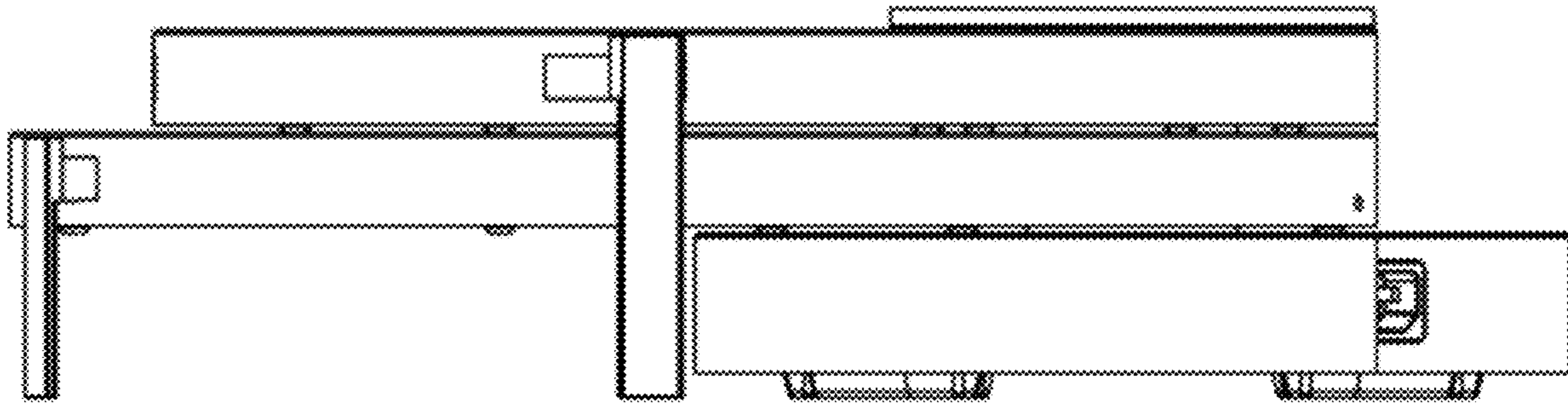


FIG. 1.4



1.5



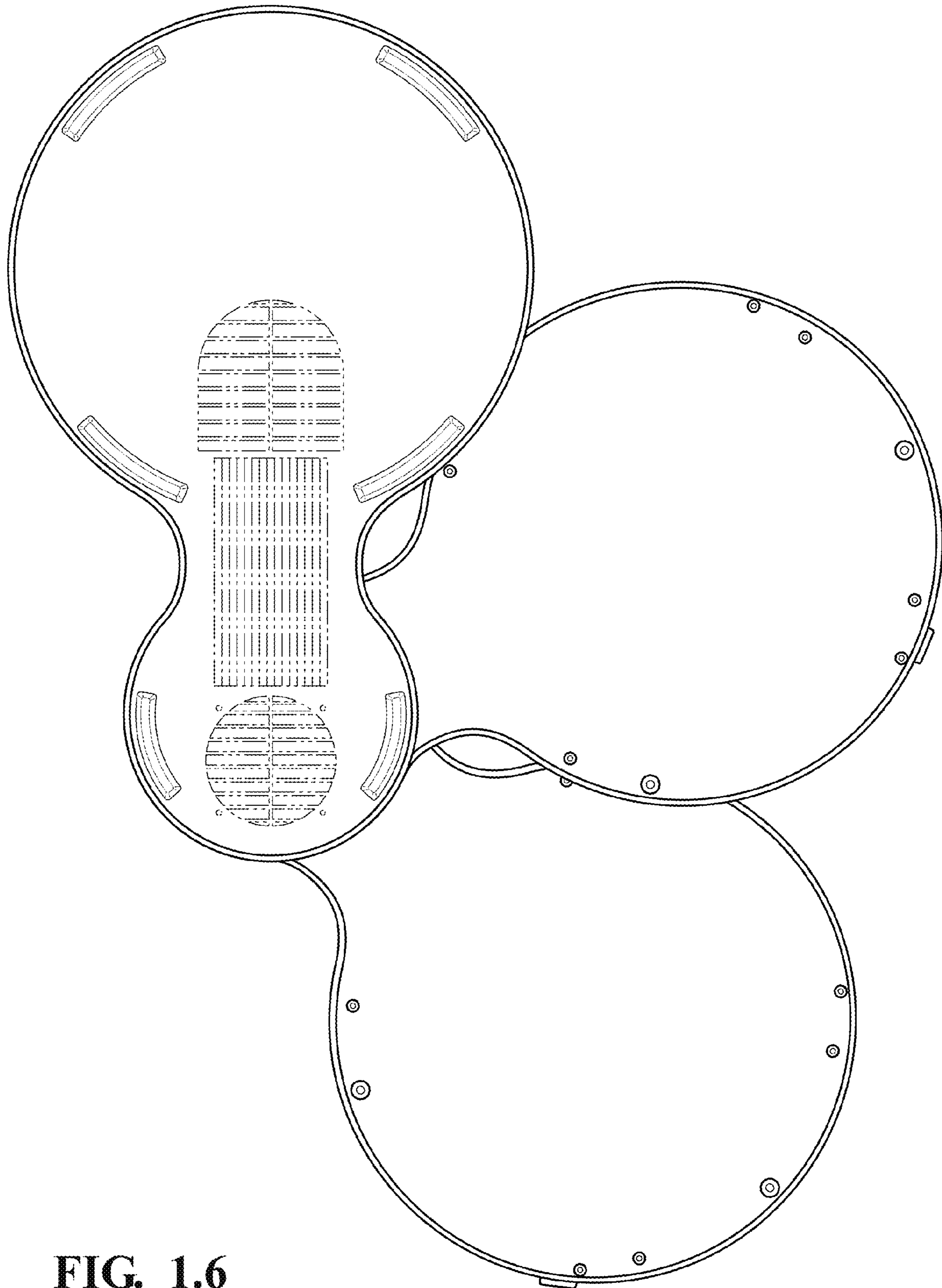
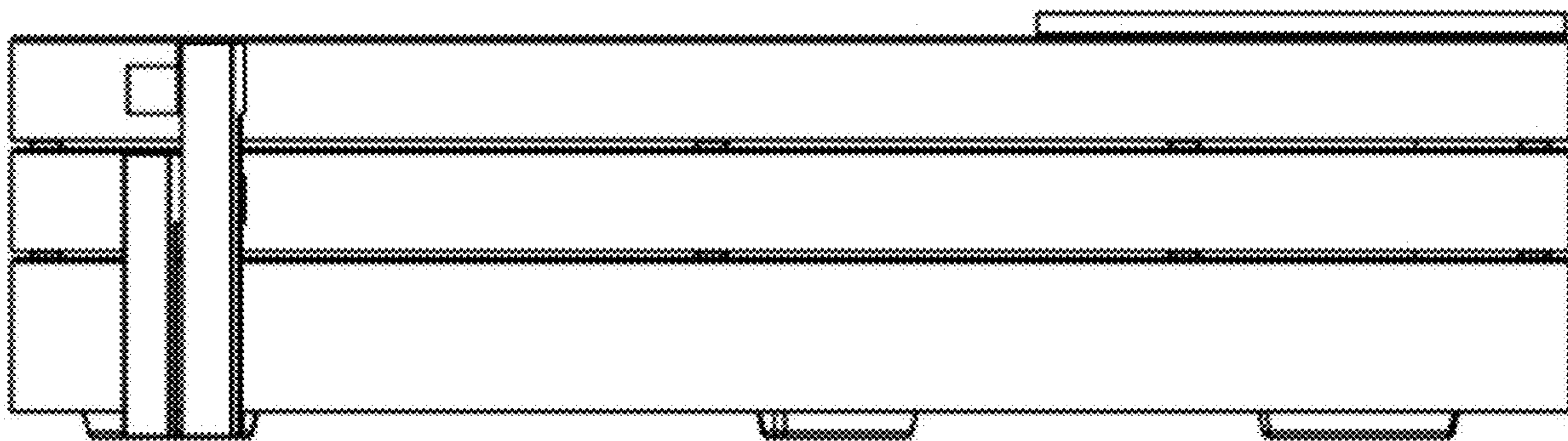


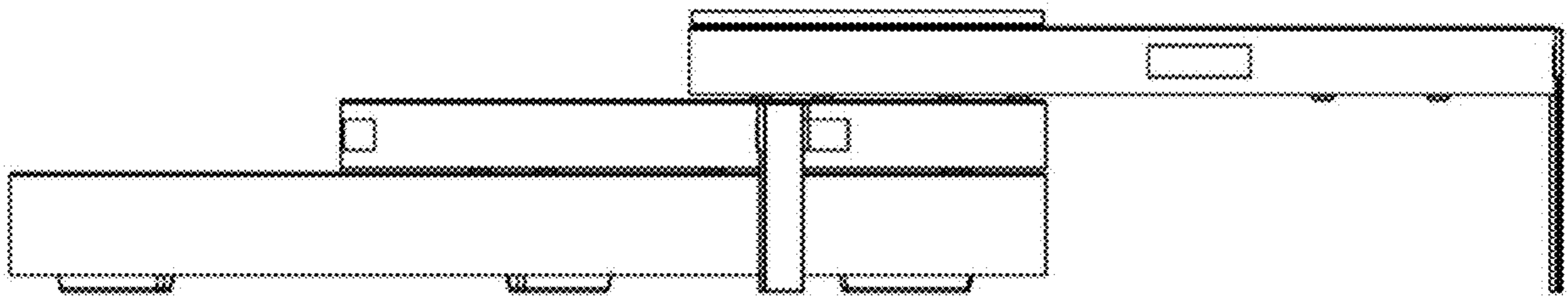
FIG. 1.6

1.7

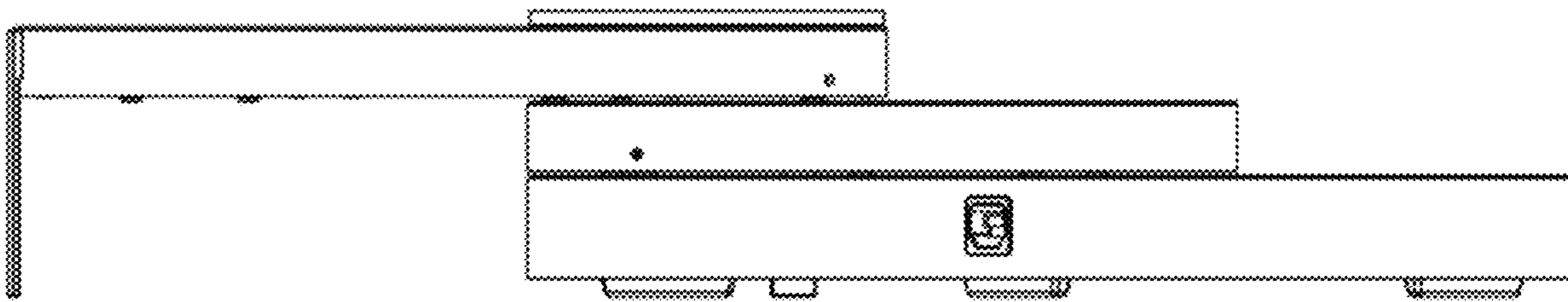




1.8



1.9



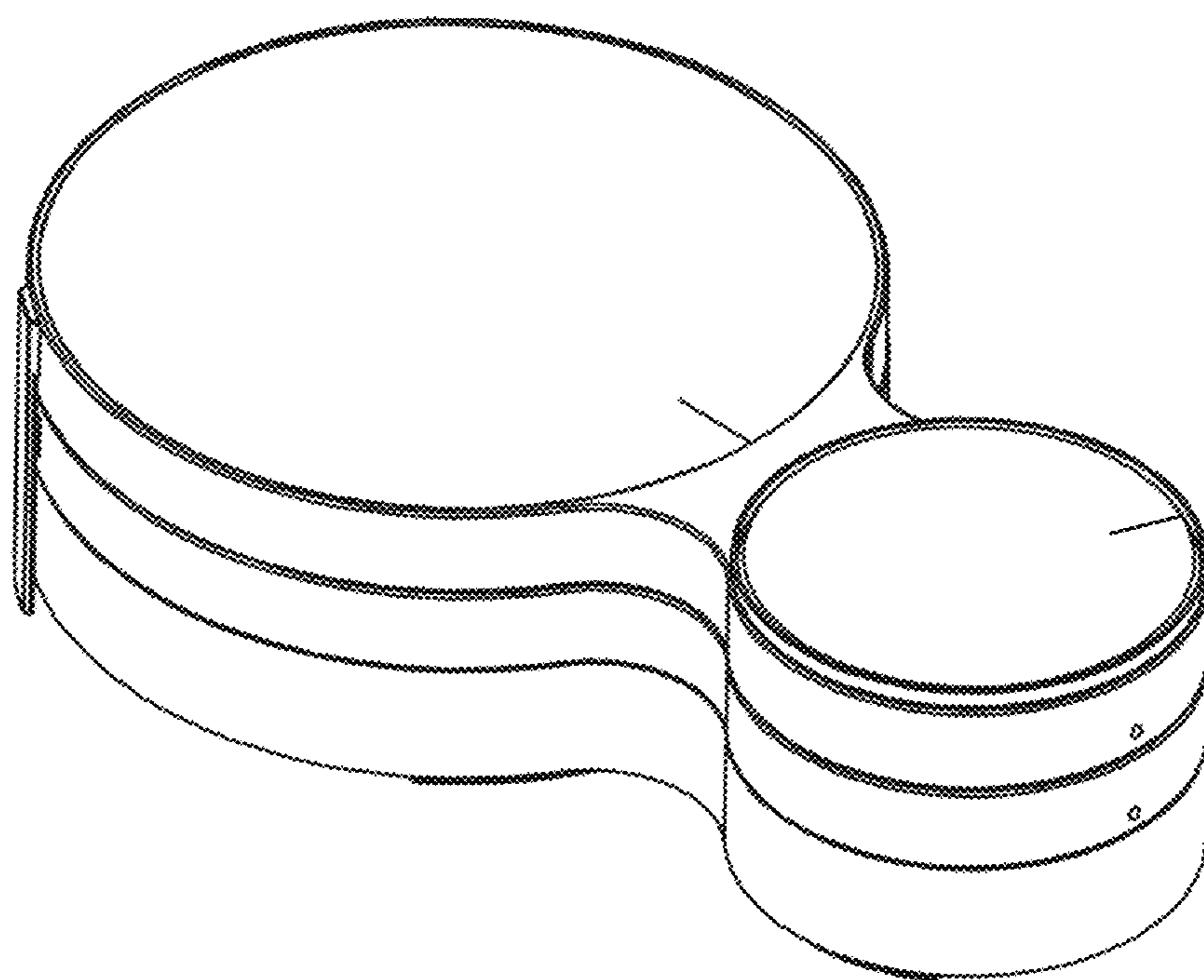


FIG. 1.10

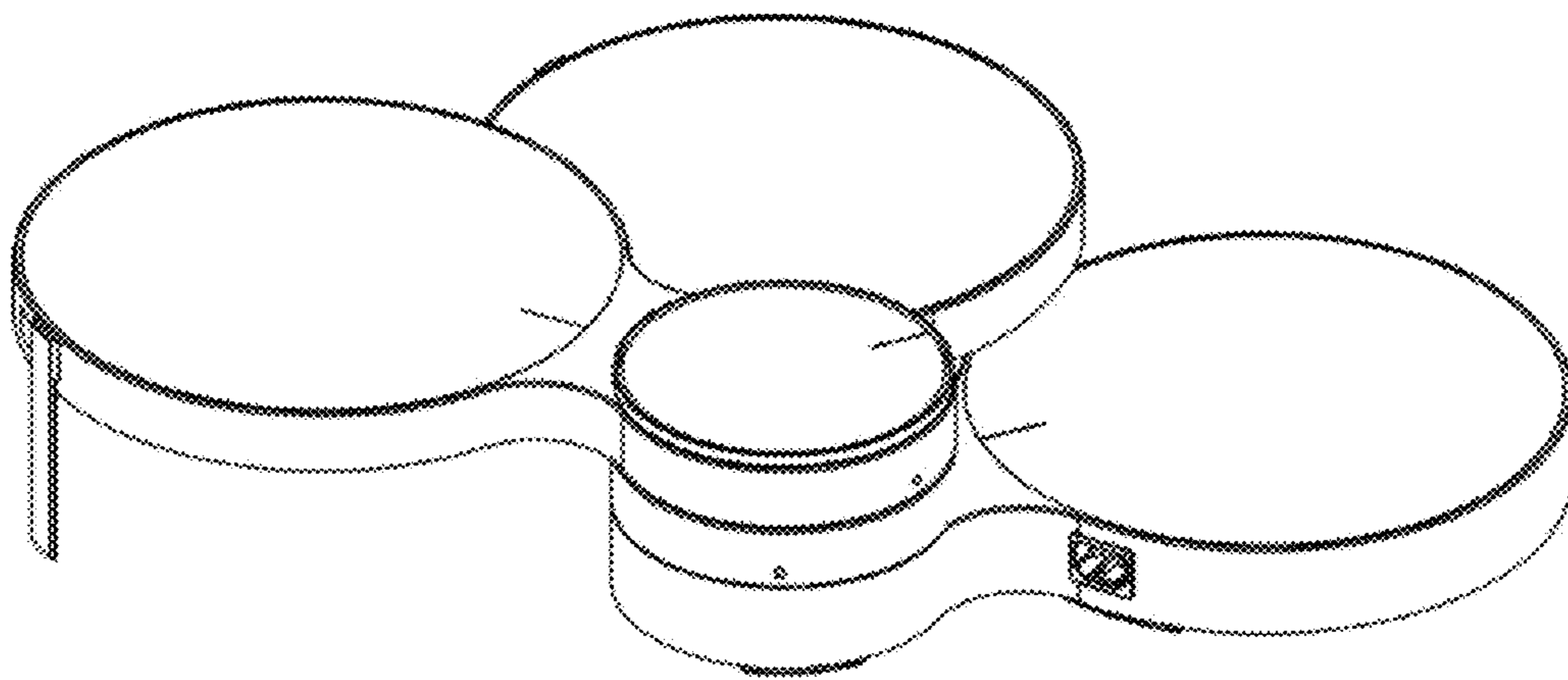
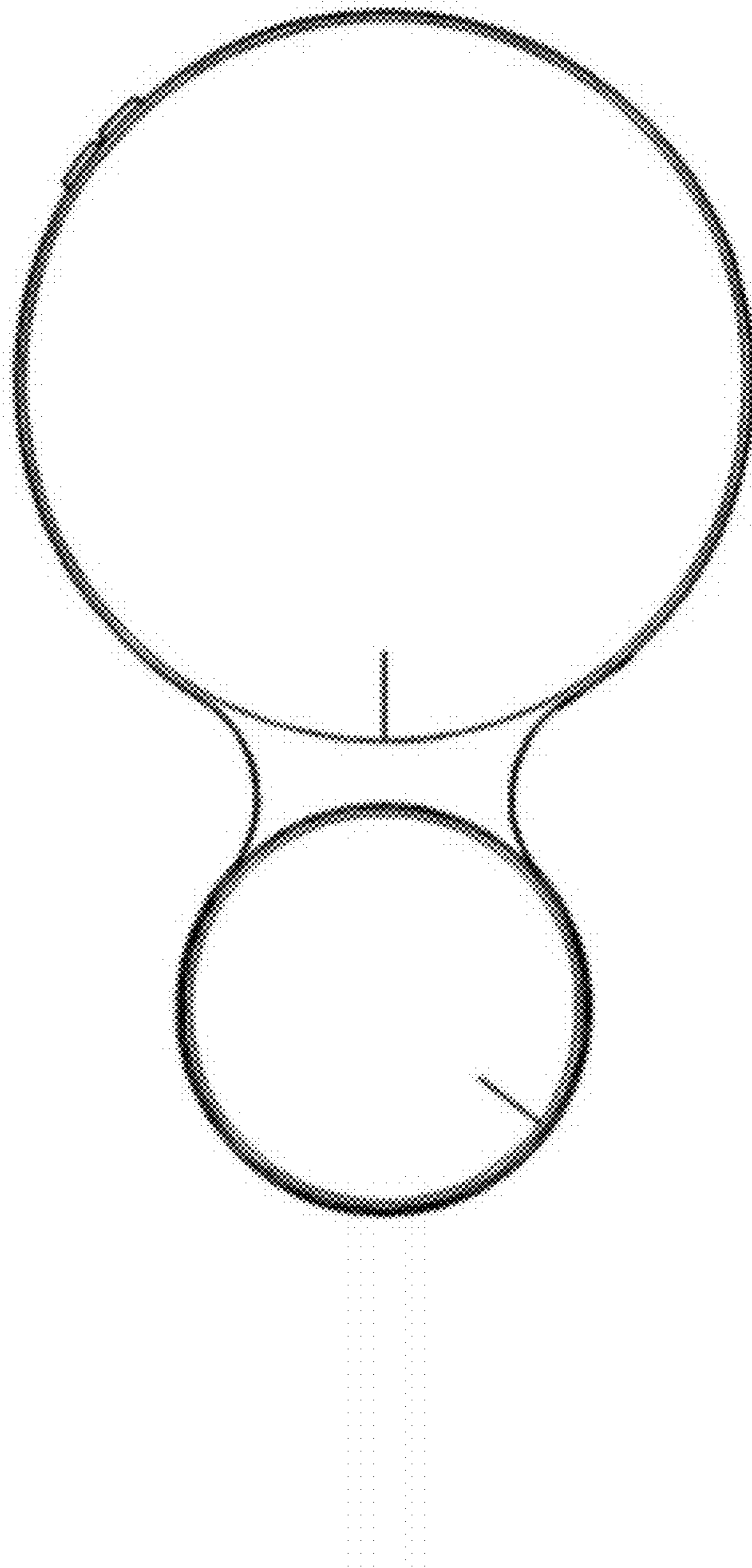


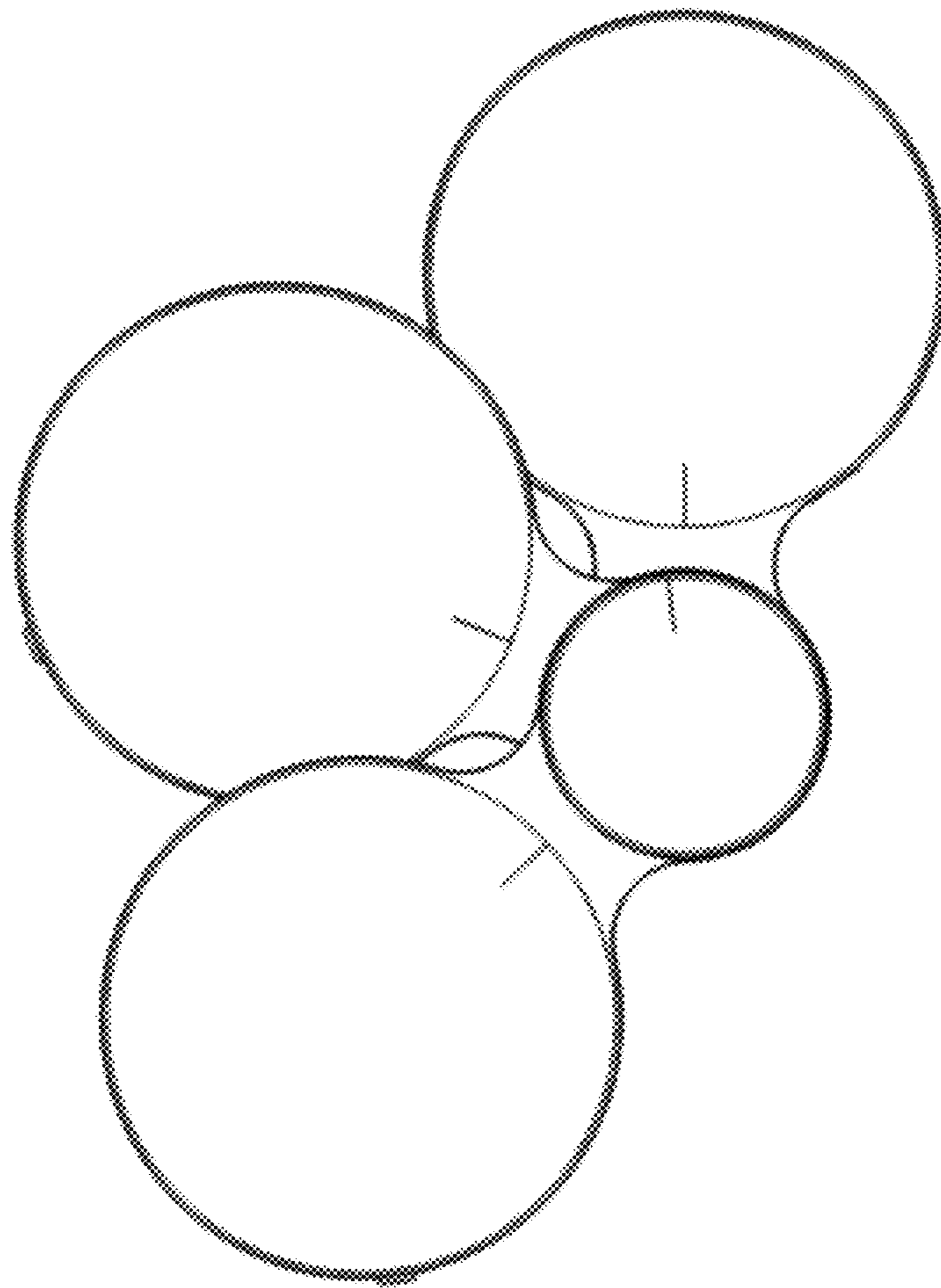
FIG. 1.11

1.12





1.13



1.14

