



US00D881633S

(12) **United States Design Patent** (10) **Patent No.:** **US D881,633 S**
Garman et al. (45) **Date of Patent:** **** Apr. 21, 2020**

(54) **APPLIANCE FOR COOKING EGGS AND OTHER FOODSTUFFS**

- (71) Applicant: **Hamilton Beach Brands, Inc.**, Glen Allen, VA (US)
- (72) Inventors: **Michael Garman**, Stafford, VA (US); **Derek A McCullough**, Richmond, VA (US); **Elena A Marentes**, Glen Allen, VA (US)
- (73) Assignee: **Hamilton Beach Brands, Inc.**, Glen Allen, VA (US)
- (**) Term: **15 Years**
- (21) Appl. No.: **29/716,159**
- (22) Filed: **Dec. 6, 2019**

Related U.S. Application Data

- (62) Division of application No. 29/701,249, filed on Aug. 9, 2019, now Pat. No. Des. 874,212.
 - (51) **LOC (12) Cl.** **07-02**
 - (52) **U.S. Cl.**
USPC **D7/357; D7/354**
 - (58) **Field of Classification Search**
USPC D7/323, 354-364, 384, 500, 503; D30/133
CPC A01K 41/02; A01K 41/023; A01K 41/026; A01K 41/06; A21B 5/02; A21B 5/026; A21B 5/04; A23B 5/00; A23B 5/005; A23B 5/0052; A47J 27/00; A47J 27/004; A47J 29/00; A47J 29/02; A47J 29/04; A47J 29/06; A47J 36/025; A47J 36/06; A47J 36/12
- See application file for complete search history.

(56) **References Cited**

U.S. PATENT DOCUMENTS

D363,635 S *	10/1995	Cashin	D7/323
D376,067 S *	12/1996	Littmann	D7/354
D606,803 S *	12/2009	Picozza	D7/354
D614,909 S *	5/2010	Lavy	D7/354
D651,845 S *	1/2012	O'Neill	D7/362
D655,566 S *	3/2012	Sapire	D7/354
D655,972 S *	3/2012	Foy	D7/354
D666,454 S *	9/2012	Lavy	D7/354
D700,408 S *	2/2014	Dixon	D30/130
D706,570 S *	6/2014	Coblentz	D7/354
D717,099 S *	11/2014	Lavy	D7/354
D810,499 S *	2/2018	Chen	D7/384
D836,966 S *	1/2019	Kurt	D7/354

* cited by examiner

Primary Examiner — Ricky Pham

(74) *Attorney, Agent, or Firm* — Alexander D. Raring

(57) **CLAIM**

We claim the ornamental design for an appliance for cooking eggs and other foodstuffs, as shown and described.

DESCRIPTION

FIG. 1 is a perspective view of an appliance for cooking eggs and other foodstuffs from the front, top and right sides, showing the new design.

FIG. 2 is a front view thereof.

FIG. 3 is a rear view thereof.

FIG. 4 is a right side view thereof.

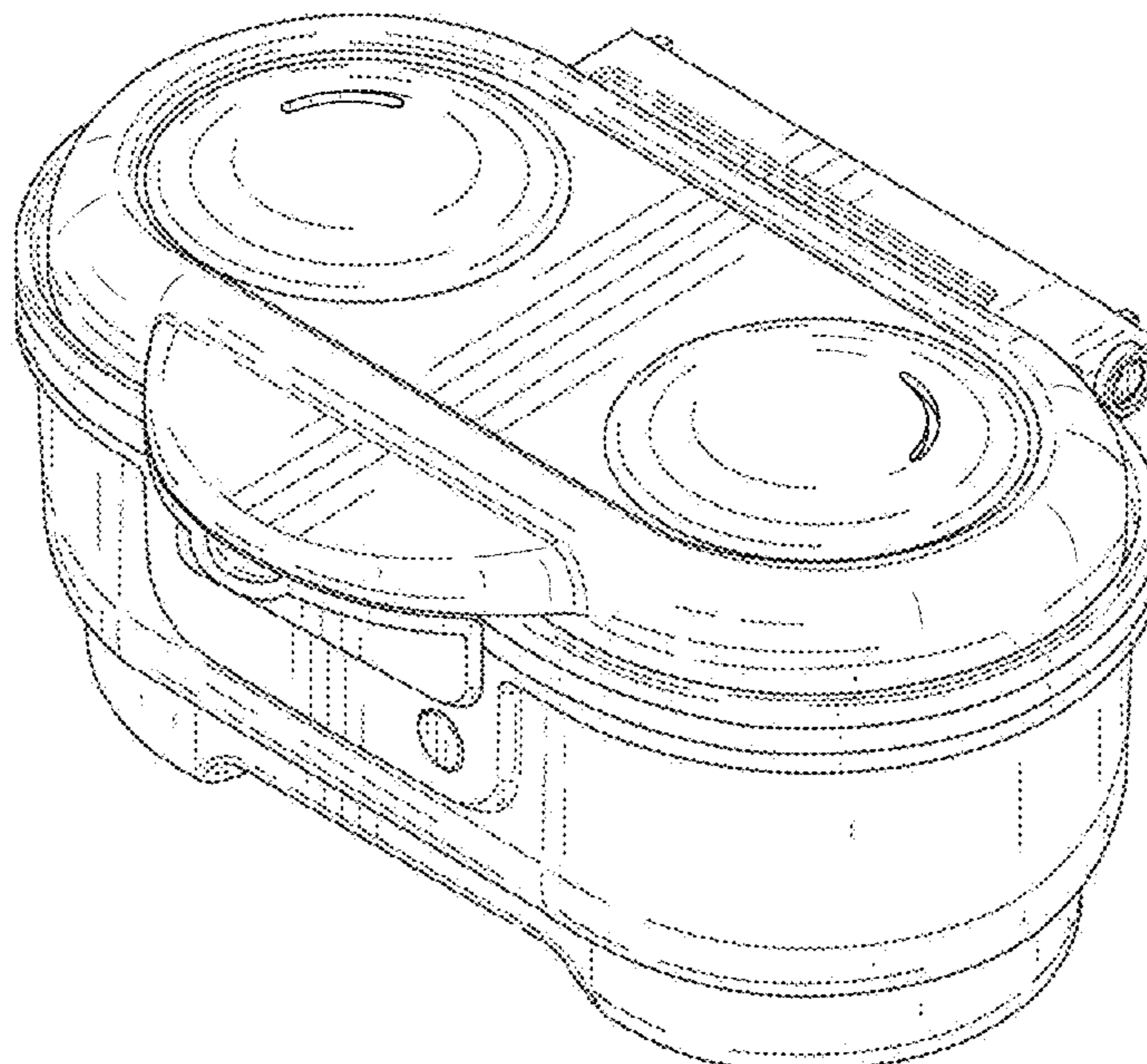
FIG. 5 is a left side view thereof.

FIG. 6 is a top view thereof; and,

FIG. 7 is a bottom view thereof.

In the drawings, the broken lines shown in the figures depict unclaimed subject matter and form no part of the claimed design.

1 Claim, 6 Drawing Sheets



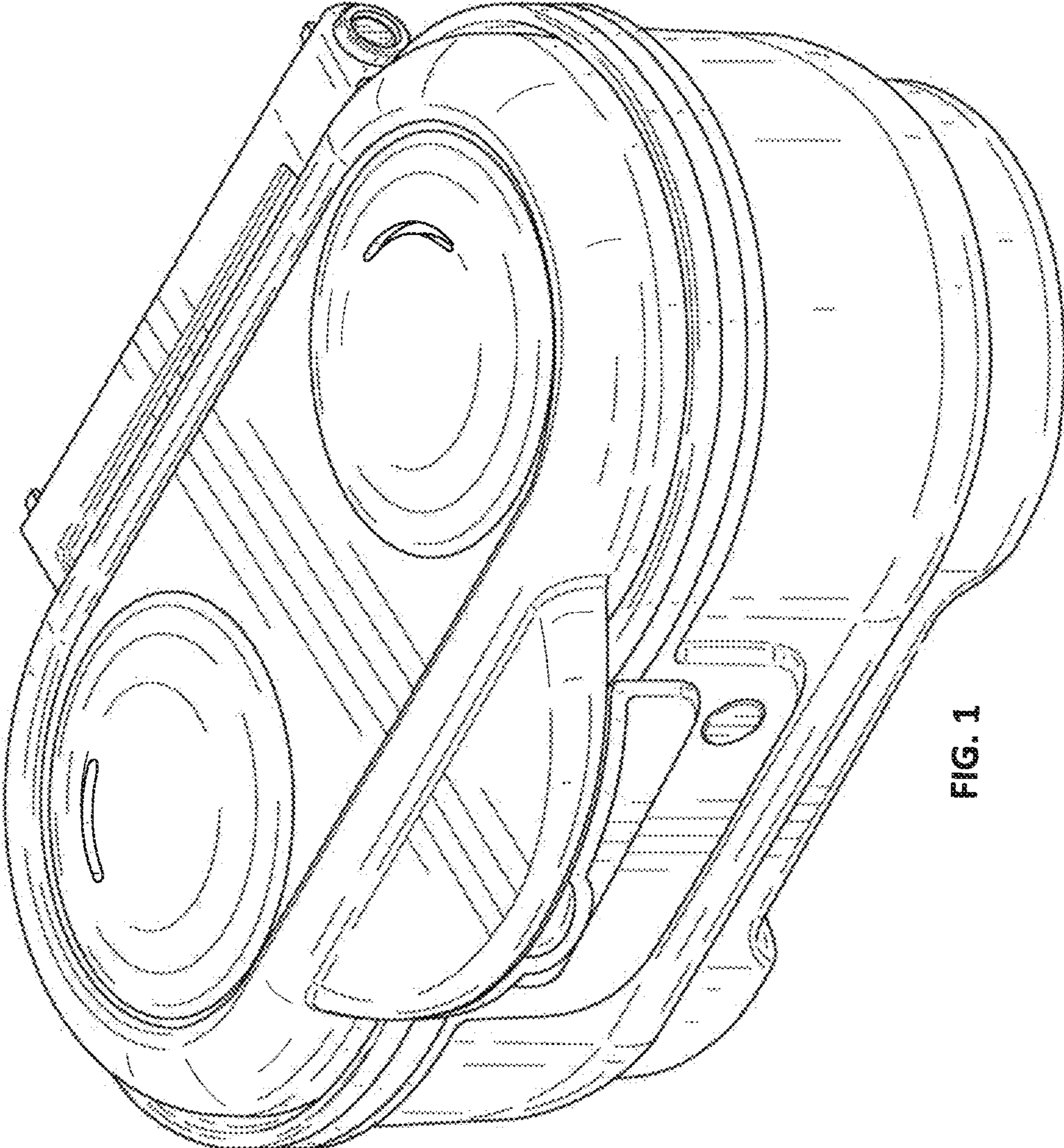


FIG. 1

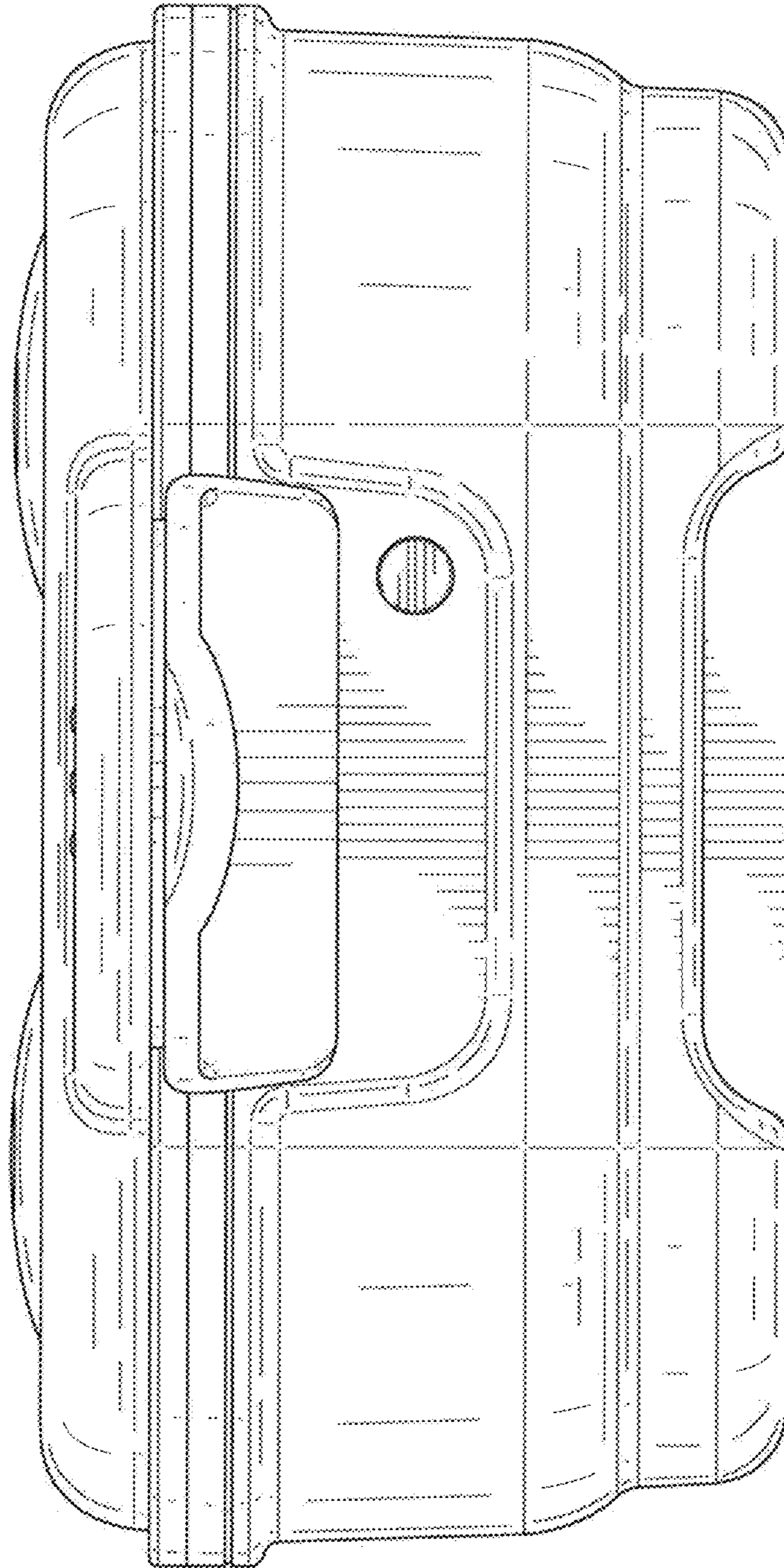


FIG. 2

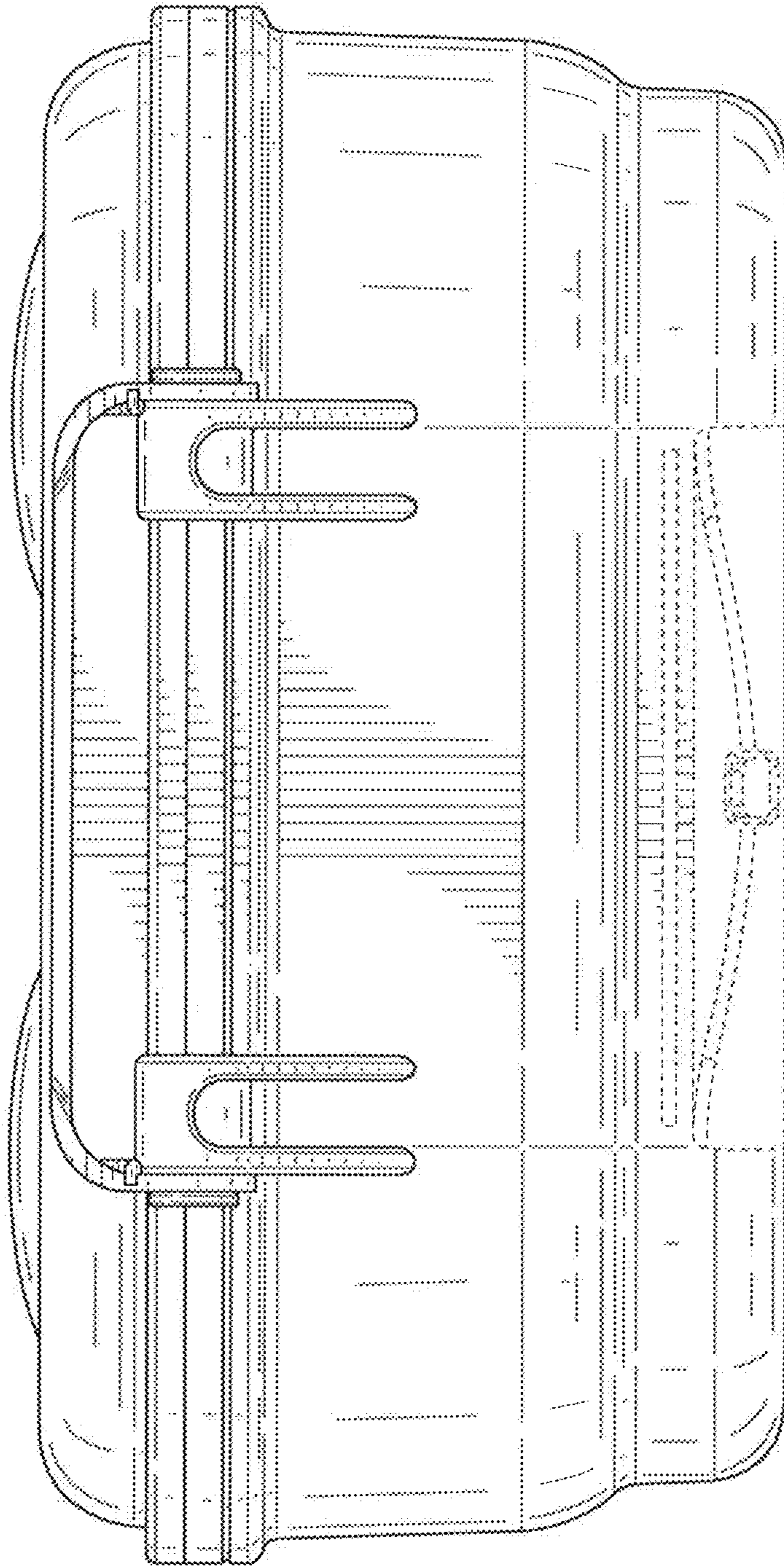


FIG. 3

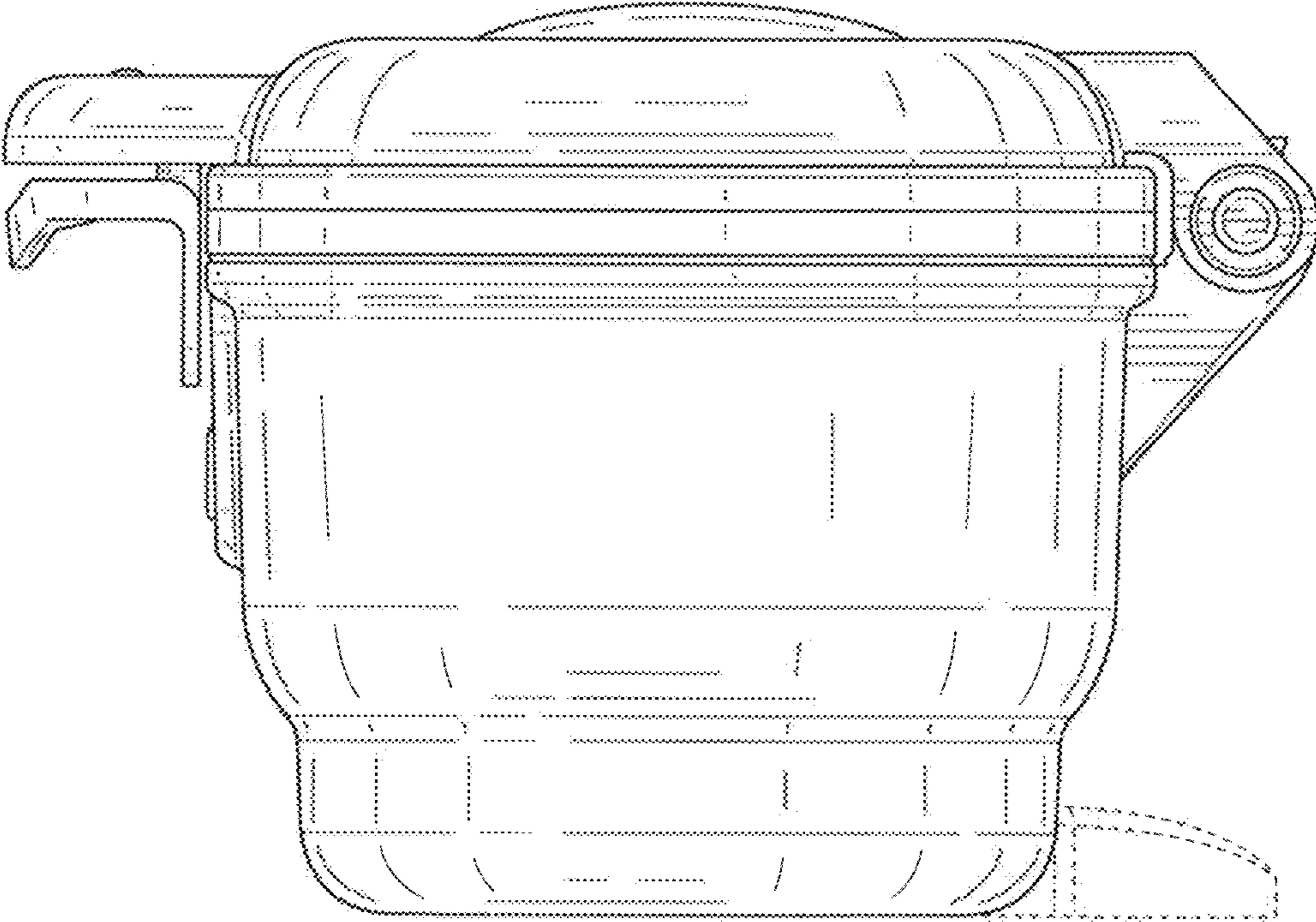


FIG. 4

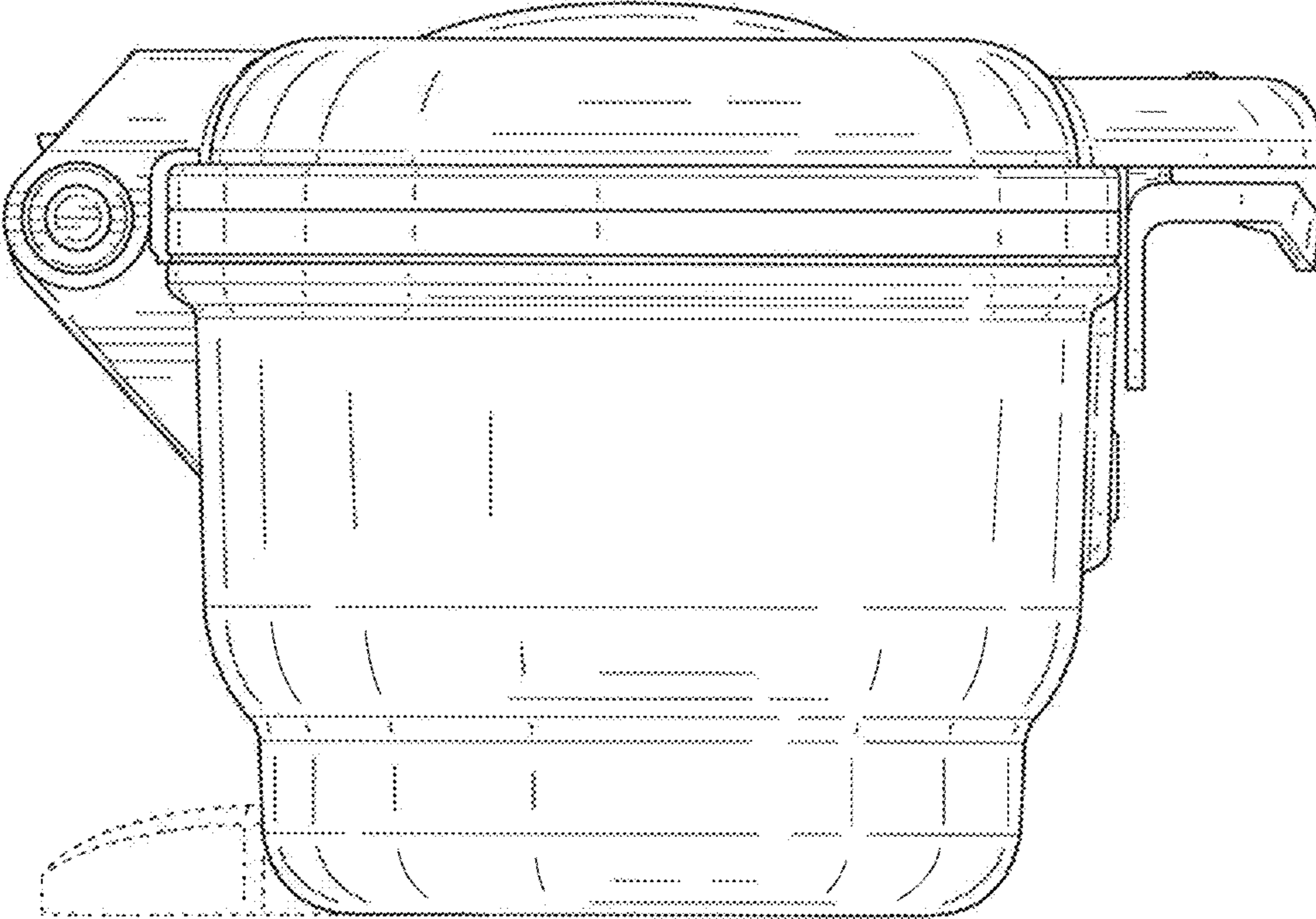


FIG. 5

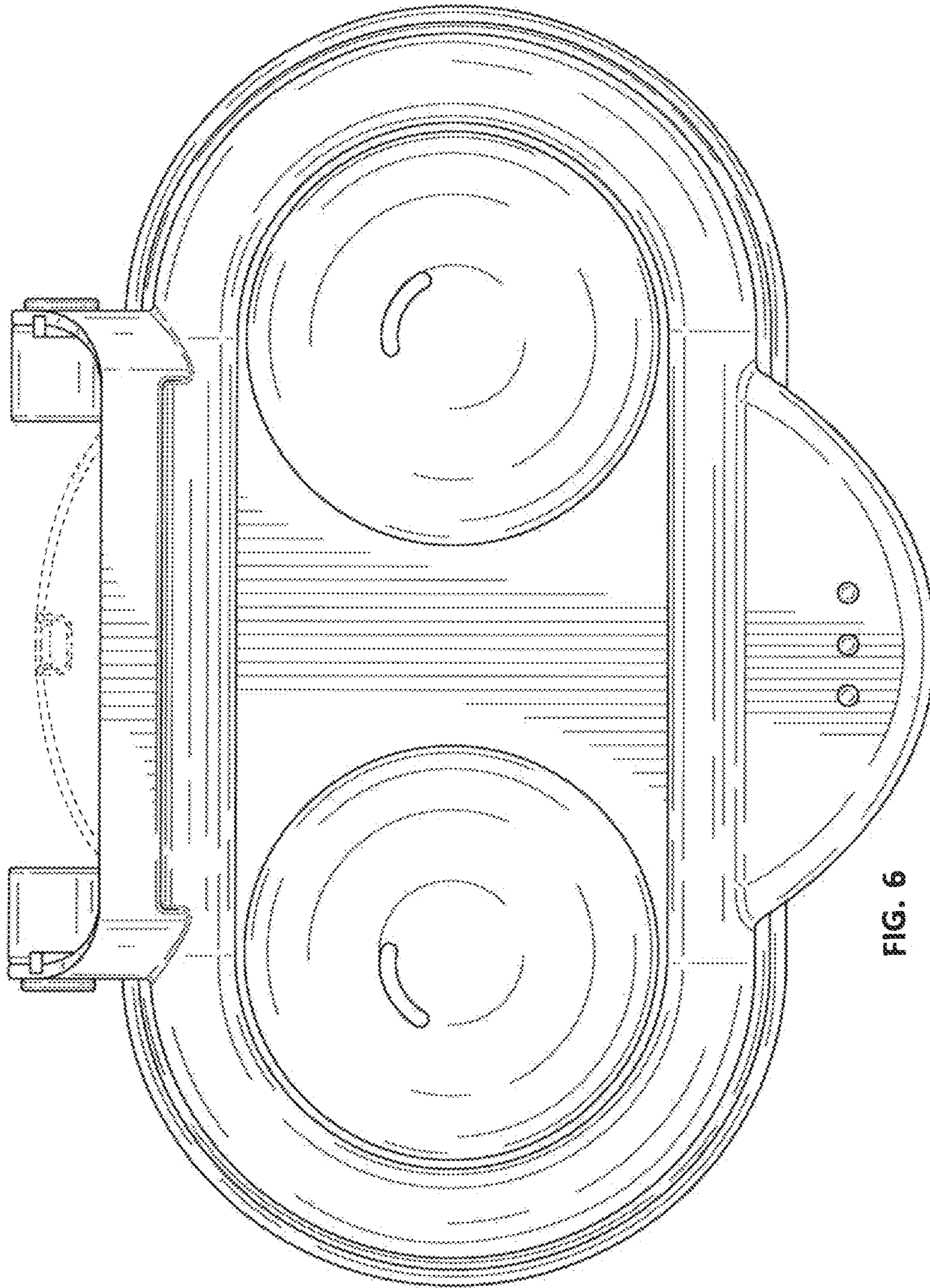


FIG. 6

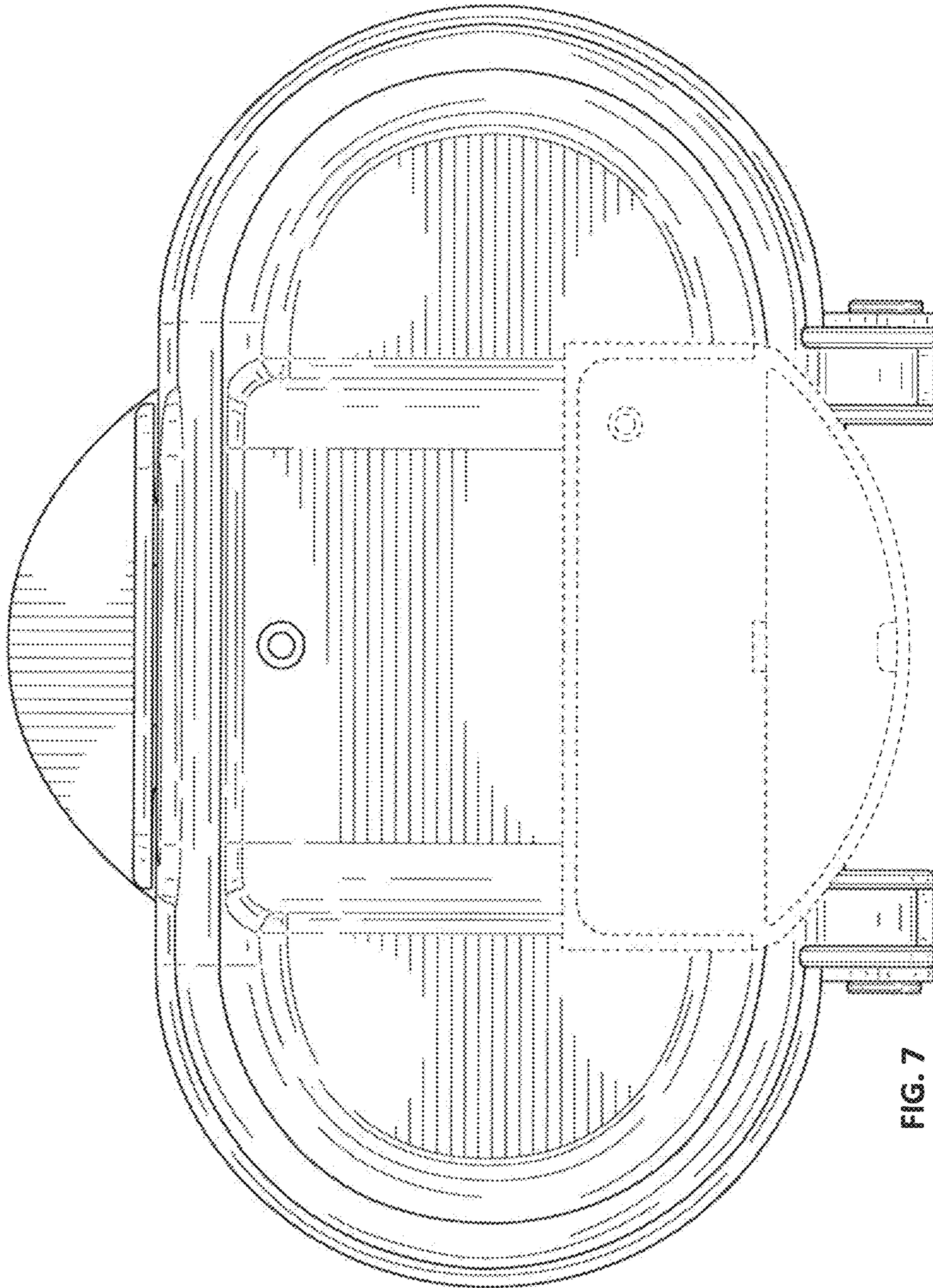


FIG. 7