



US00D881632S

(12) **United States Design Patent** (10) **Patent No.:** **US D881,632 S**  
**Ye** (45) **Date of Patent:** **\*\* Apr. 21, 2020**

(54) **OVEN**

(56) **References Cited**

(71) Applicants: **Xiushan Ye**, Guangzhou (CN);  
**GUANGZHOU SHENGWEI  
ELECTRIC MANUFACTURING  
CO., LTD.**, Guangzhou (CN)

U.S. PATENT DOCUMENTS

D560,421 S	*	1/2008	Davis	.....	D7/348
D594,691 S	*	6/2009	Baacke	.....	D7/348
D646,111 S	*	10/2011	Kim	.....	D7/348
D669,297 S	*	10/2012	Tanaka	.....	D7/349
D675,472 S	*	2/2013	Strayle	.....	D7/309
D706,567 S	*	6/2014	Strayle	.....	D7/309
D736,028 S	*	8/2015	Baacke	.....	D7/348
D738,672 S	*	9/2015	Baacke	.....	D7/348
D777,504 S	*	1/2017	Bhogal	.....	D7/350.1
D781,636 S		3/2017	Kim et al.		
D805,833 S	*	12/2017	Baacke	.....	D7/348
D829,485 S		10/2018	Morenstein et al.		
D859,055 S	*	9/2019	Baacke	.....	D7/348
D861,409 S		10/2019	Bhogal et al.		

(72) Inventor: **Xiushan Ye**, Guangzhou (CN)

(73) Assignees: **Xiushan Ye**, Guangzhou (CN);  
**GUANGZHOU SHENGWEI  
ELECTRIC MANUFACTURING  
CO., LTD.**, Guangzhou (CN)

(\*\*) Term: **15 Years**

\* cited by examiner

(21) Appl. No.: **29/720,779**

*Primary Examiner* — Ricky Pham

(22) Filed: **Jan. 15, 2020**

(30) **Foreign Application Priority Data**

(57) **CLAIM**

Dec. 30, 2019 (CN) ..... 2019 3 0742022

The ornamental design for an oven, as shown and described.

(51) **LOC (12) Cl.** ..... **07-02**

**DESCRIPTION**

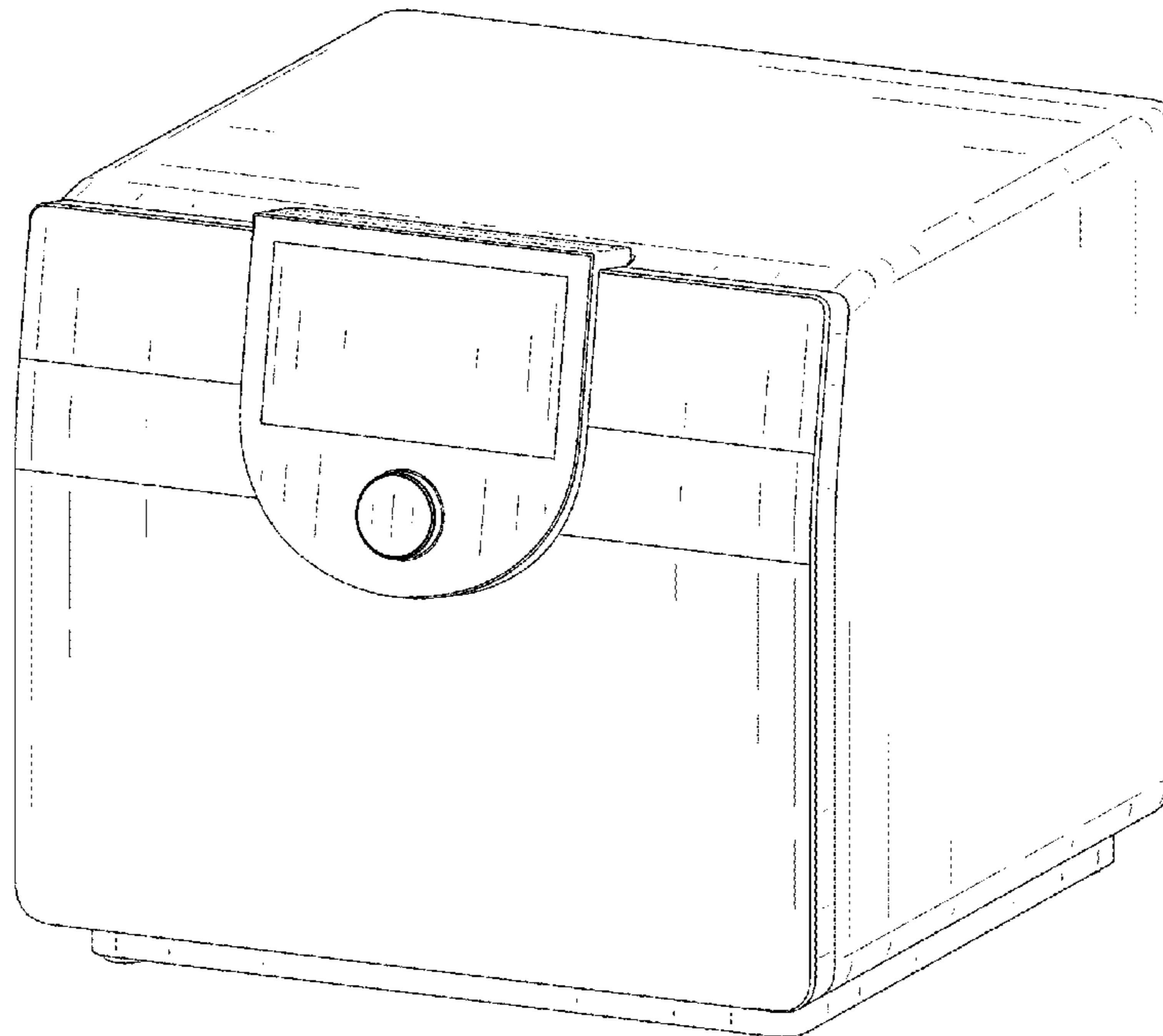
(52) **U.S. Cl.**  
USPC ..... **D7/348**

(58) **Field of Classification Search**  
USPC ..... D7/309, 323, 328–330, 339–349, 350.1,  
D7/390, 402–406; D8/300–306  
CPC ... A21B 2/00; A47J 37/00; A47J 37/06; A47J  
37/0611; A47J 37/08; A47J 37/0807;  
A47J 37/0814; A47J 37/0835; A47J  
37/0842; A47J 37/085; A47J 37/0864;  
A47J 37/0878; A47J 37/0885; A47J  
37/0892; F24C 7/00; F24C 7/002; F24C  
7/046; F24C 7/067; F24C 15/02; F24C  
15/04; F24C 15/10; F24C 15/102

FIG. 1 is a perspective view of an oven;  
FIG. 2 is a front elevational view thereof;  
FIG. 3 is a rear elevational view thereof;  
FIG. 4 is a left side elevational view thereof;  
FIG. 5 is a right side elevational view thereof;  
FIG. 6 is a top plan view thereof; and,  
FIG. 7 is a bottom plan view thereof.  
The broken lines in the drawings depict portions of the oven  
that form no part of the claimed design.  
The shade lines in the figures show contour and not surface  
ornamentation.

See application file for complete search history.

**1 Claim, 7 Drawing Sheets**



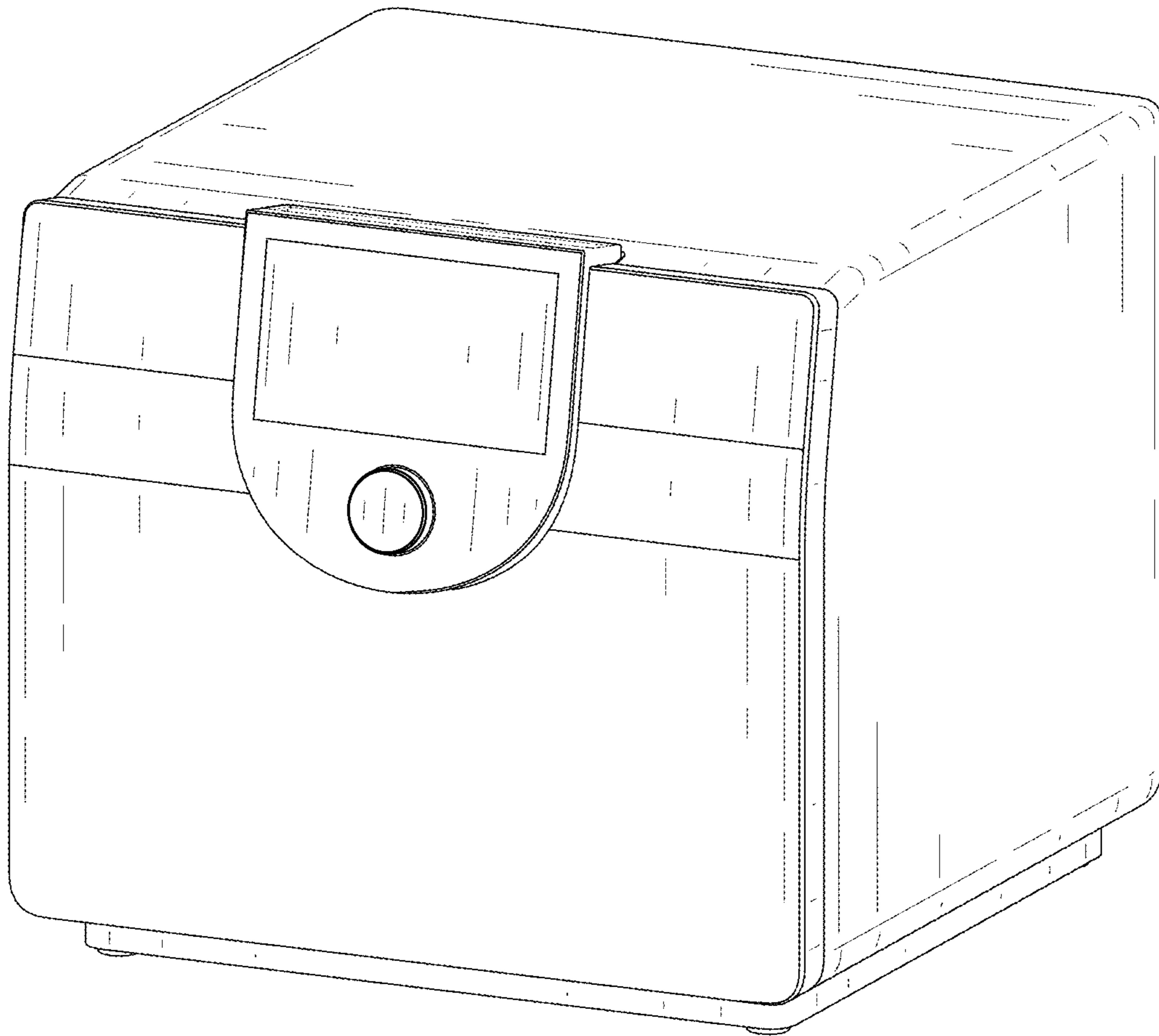


FIG. 1

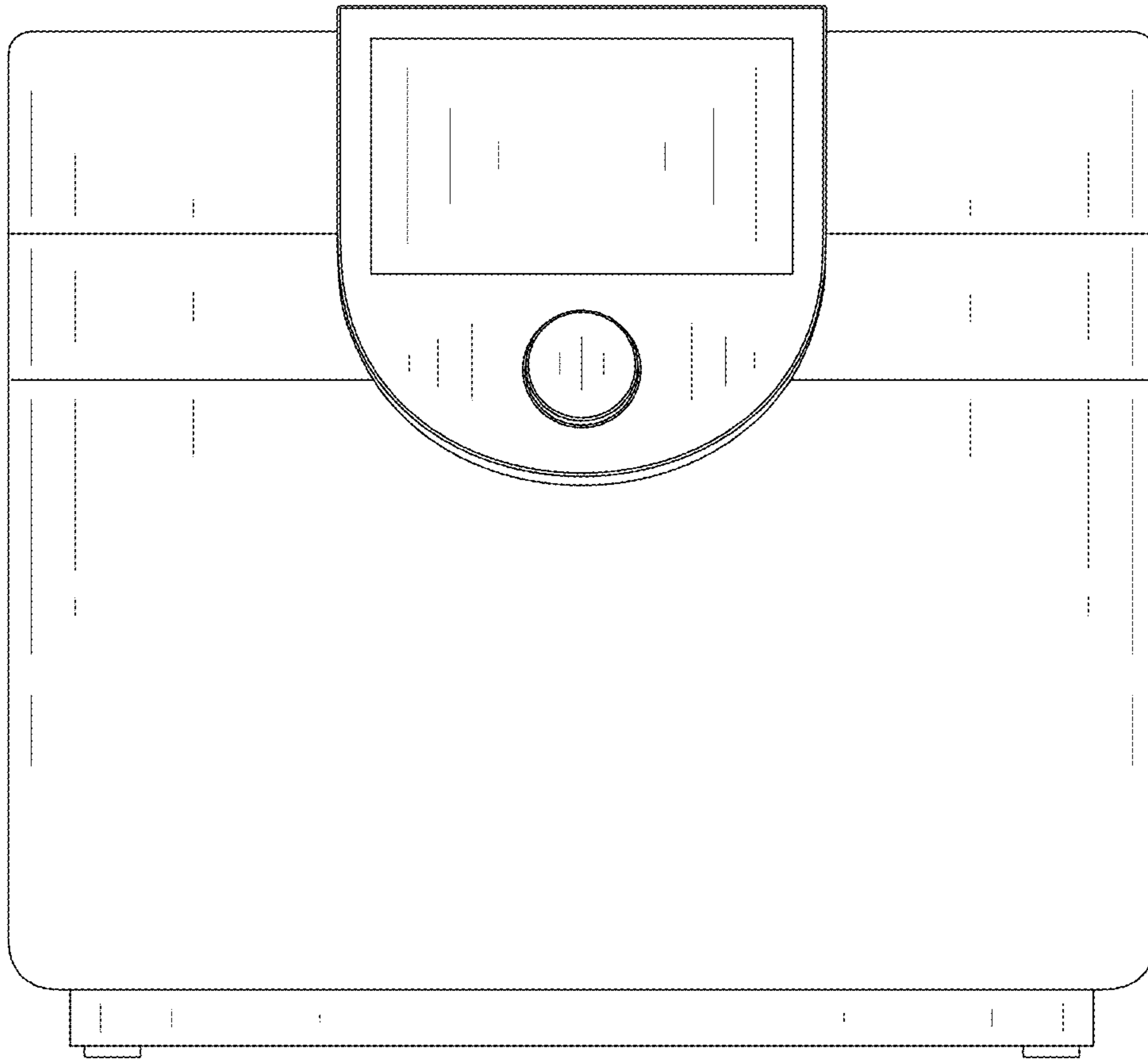


FIG. 2

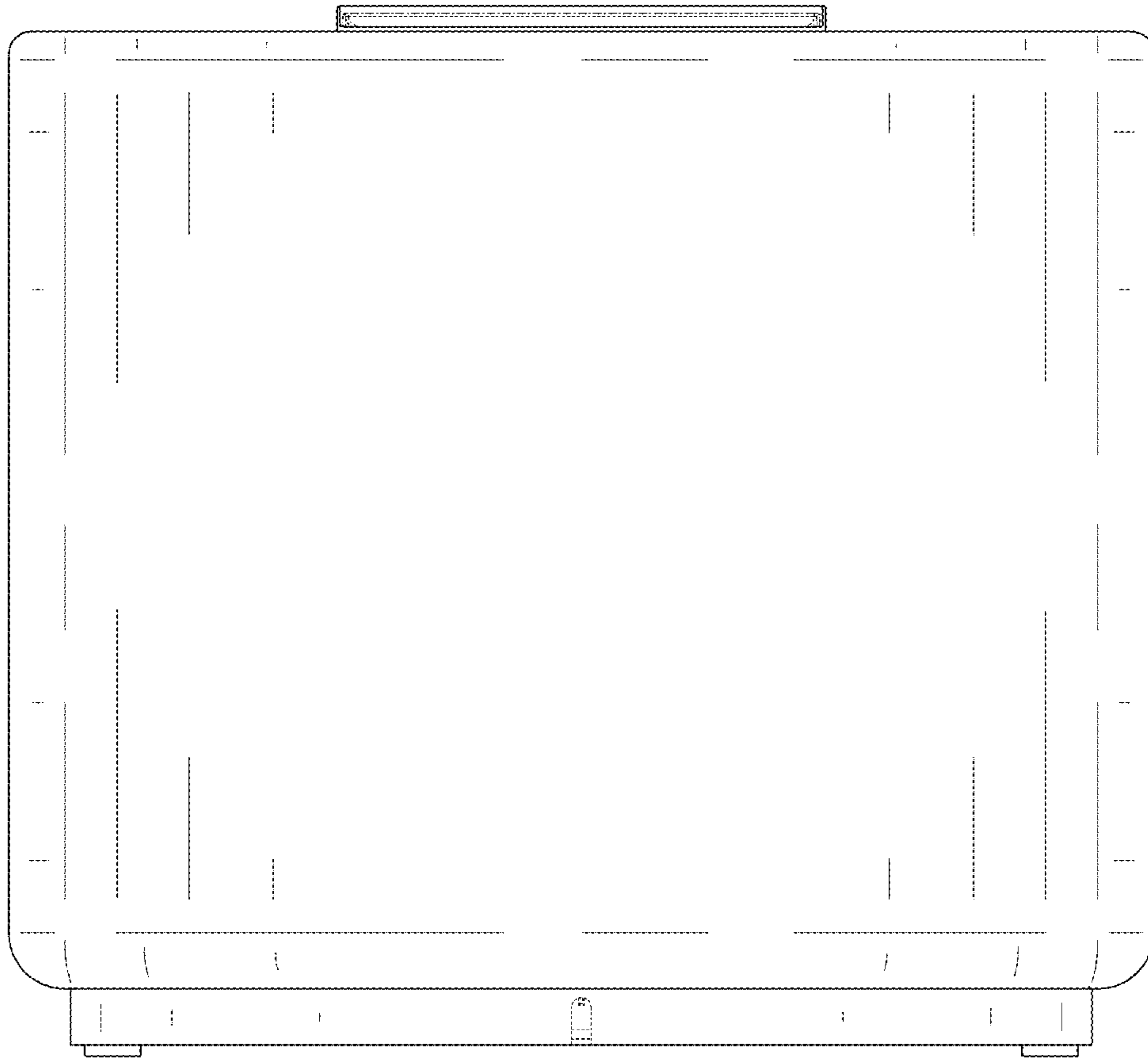


FIG. 3

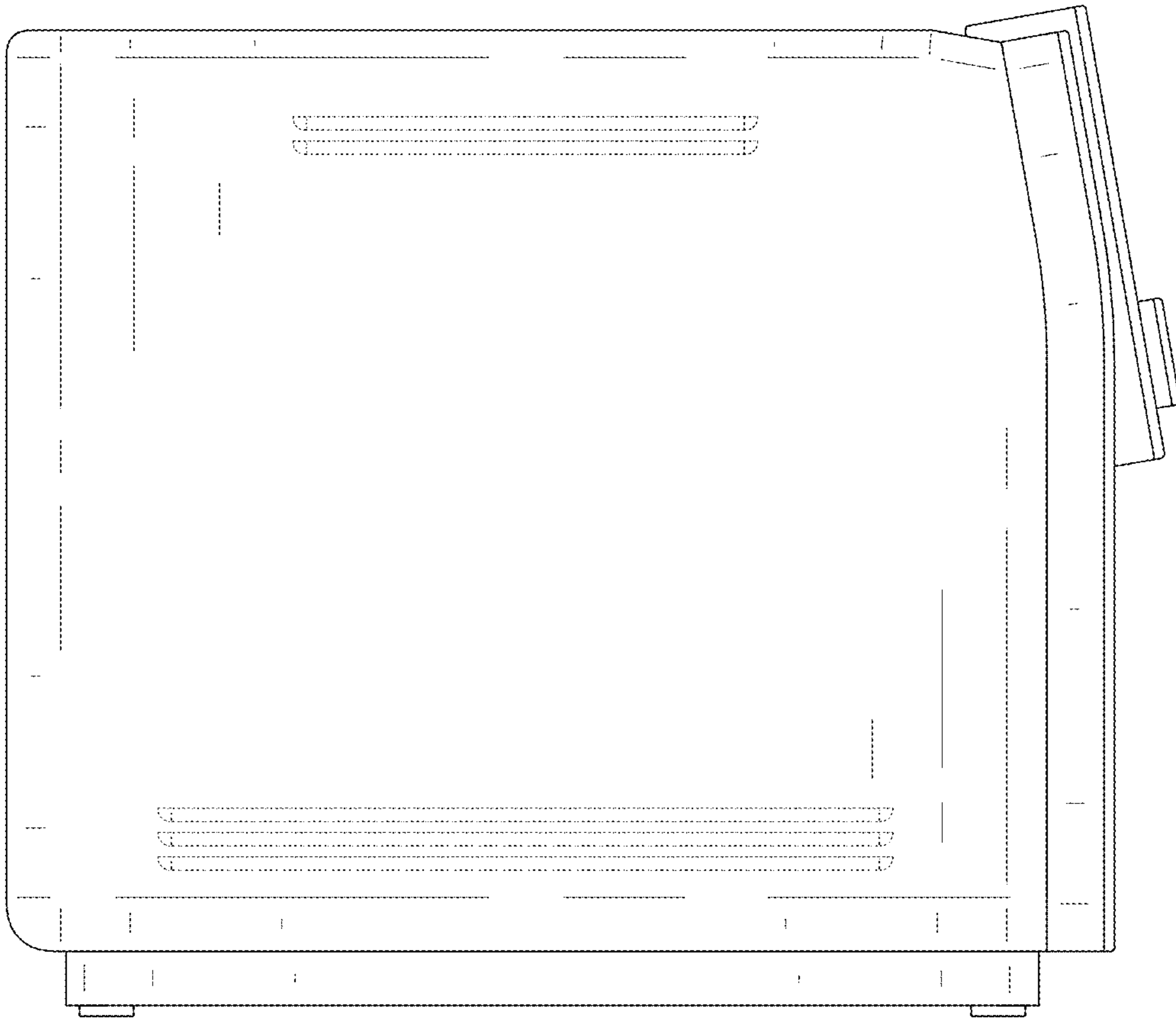


FIG. 4

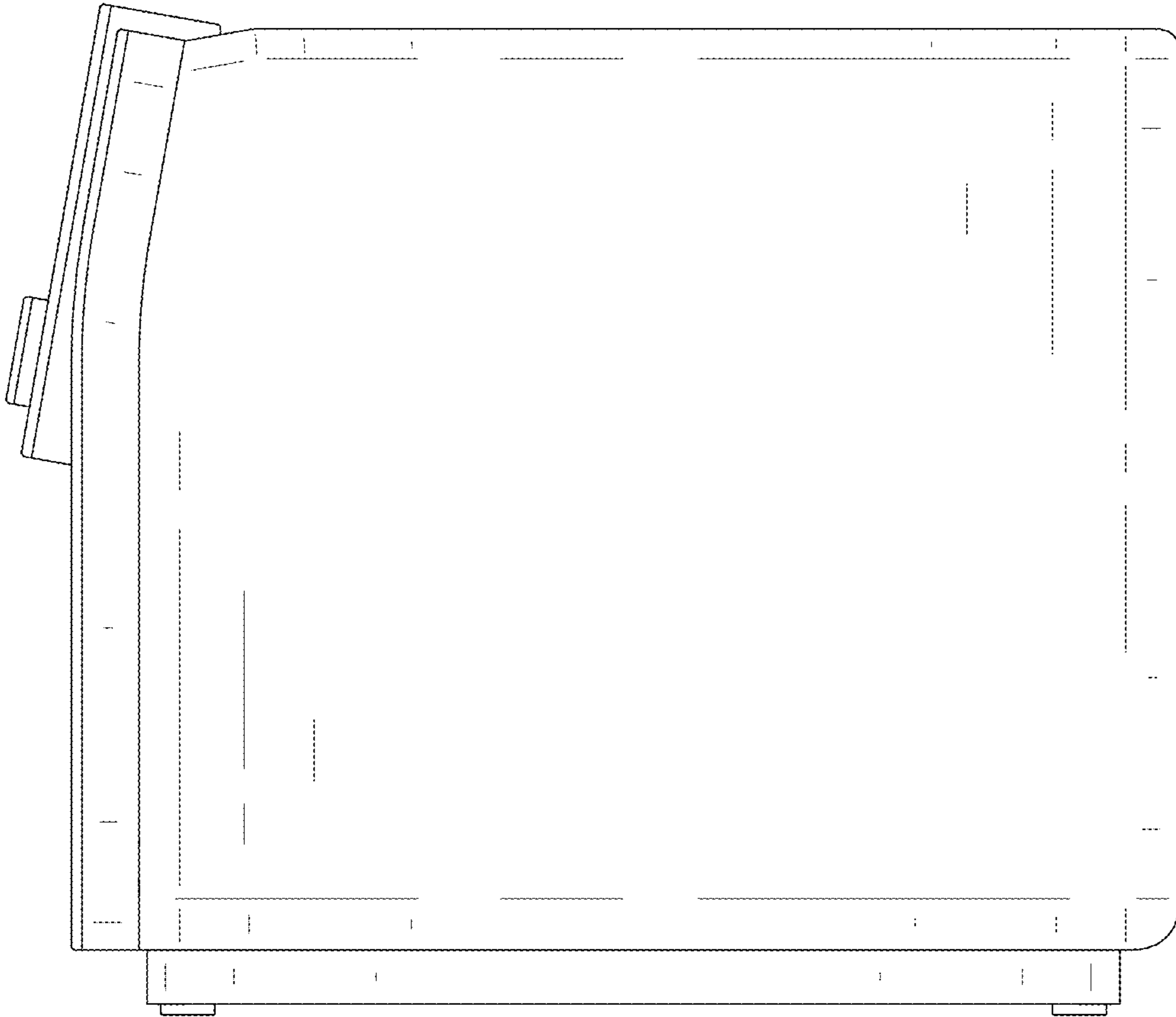


FIG. 5

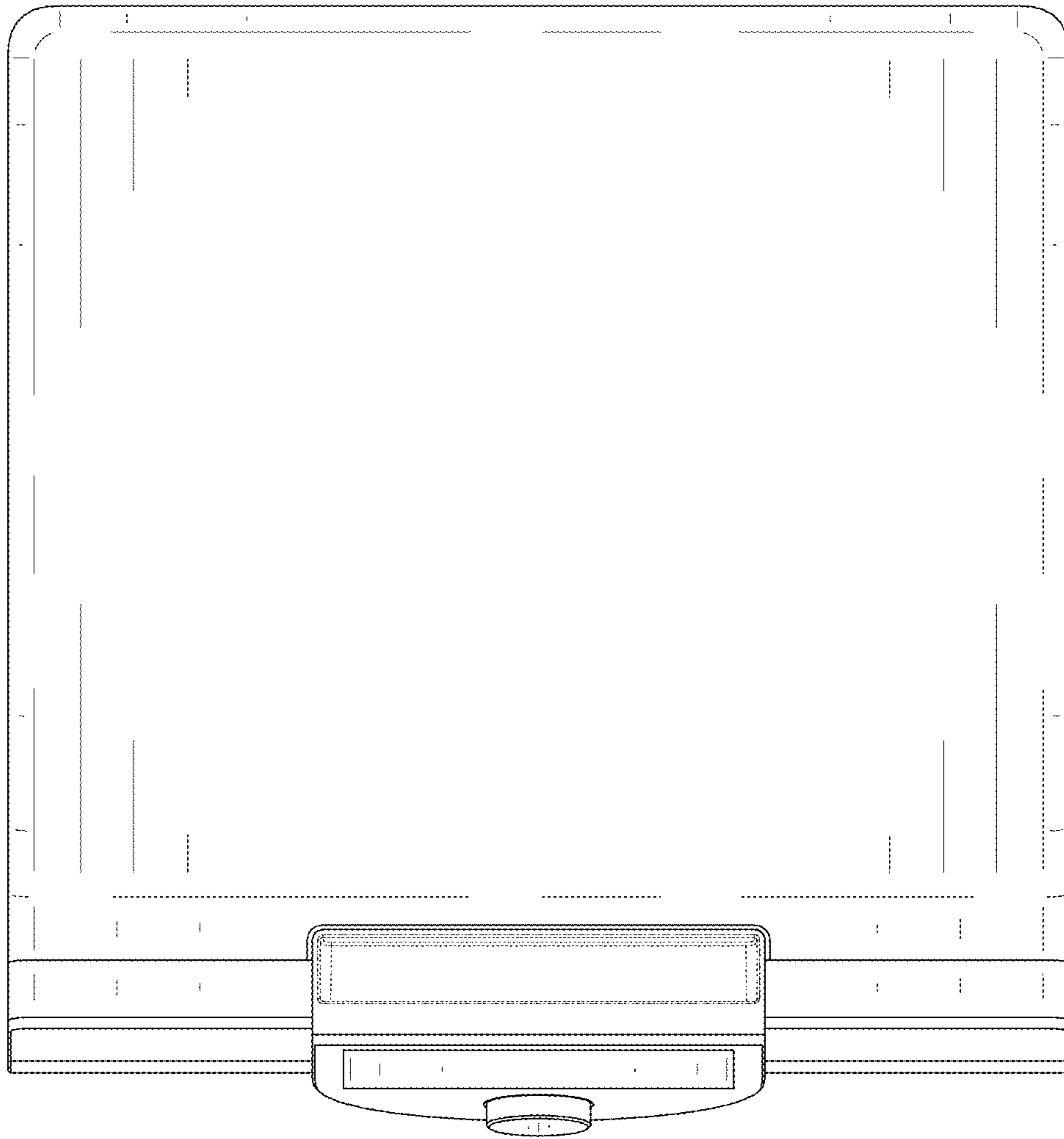


FIG. 6

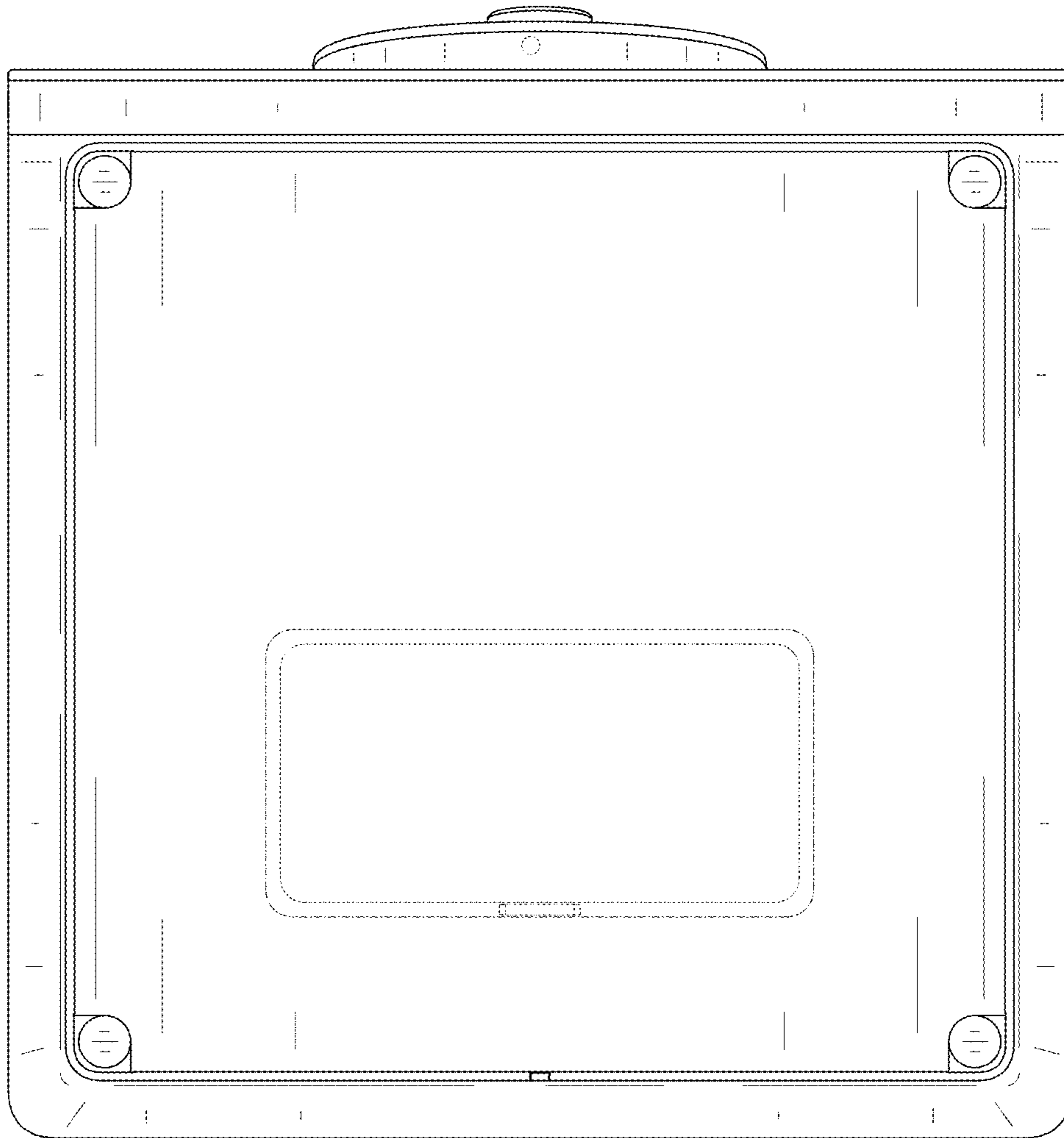


FIG. 7