



US00D881631S

(12) **United States Design Patent**  
**Lien**

(10) **Patent No.:** **US D881,631 S**

(45) **Date of Patent:** **\*\* Apr. 21, 2020**

- (54) **BARBEQUE**
- (71) Applicant: **MOR DESIGNS LTD.**, Taipei (TW)
- (72) Inventor: **Hung Mei Lien**, Taipei (TW)
- (73) Assignee: **MOR DESIGNS LTD.**, Taipei (TW)
- (\*\*) Term: **15 Years**
- (21) Appl. No.: **29/656,041**
- (22) Filed: **Jul. 10, 2018**

D737,092 S *	8/2015	Lin	.....	D7/334
D742,681 S *	11/2015	Pai	.....	D7/337
D744,775 S *	12/2015	Yang	.....	D7/334
D753,956 S *	4/2016	Yang	.....	D7/402
D760,012 S *	6/2016	Lin	.....	D7/337
D790,903 S *	7/2017	Yang	.....	D7/337
D801,745 S *	11/2017	Costa	.....	D7/337
2004/0112365 A1 *	6/2004	Johnson	.....	A47J 37/0713 126/41 R
2014/0251160 A1 *	9/2014	Contarino, Jr.	.....	A47J 37/0786 99/341
2015/0114383 A1 *	4/2015	Lin	.....	A47J 37/0763 126/25 R
2015/0251678 A1 *	9/2015	Bruno	.....	A47J 37/07 280/645

(30) **Foreign Application Priority Data**

Apr. 27, 2018 (CN) ..... 2018 3 0183958

(51) **LOC (12) Cl.** ..... **07-02**

(52) **U.S. Cl.**  
USPC ..... **D7/337**

(58) **Field of Classification Search**  
USPC ..... D7/332-337, 402-409; 126/25 R  
CPC ..... A47J 37/07-0786; A47J 33/00; A47J  
2037/0777; A47J 2037/0795; A23B  
4/044-056  
See application file for complete search history.

(56) **References Cited**

**U.S. PATENT DOCUMENTS**

6,910,476 B2 *	6/2005	Johnson	.....	A47J 37/0704 126/41 R
D726,490 S *	4/2015	Spencer	.....	D7/332

\* cited by examiner

*Primary Examiner* — Brett Miller

(74) *Attorney, Agent, or Firm* — Nixon & Vanderhye PC

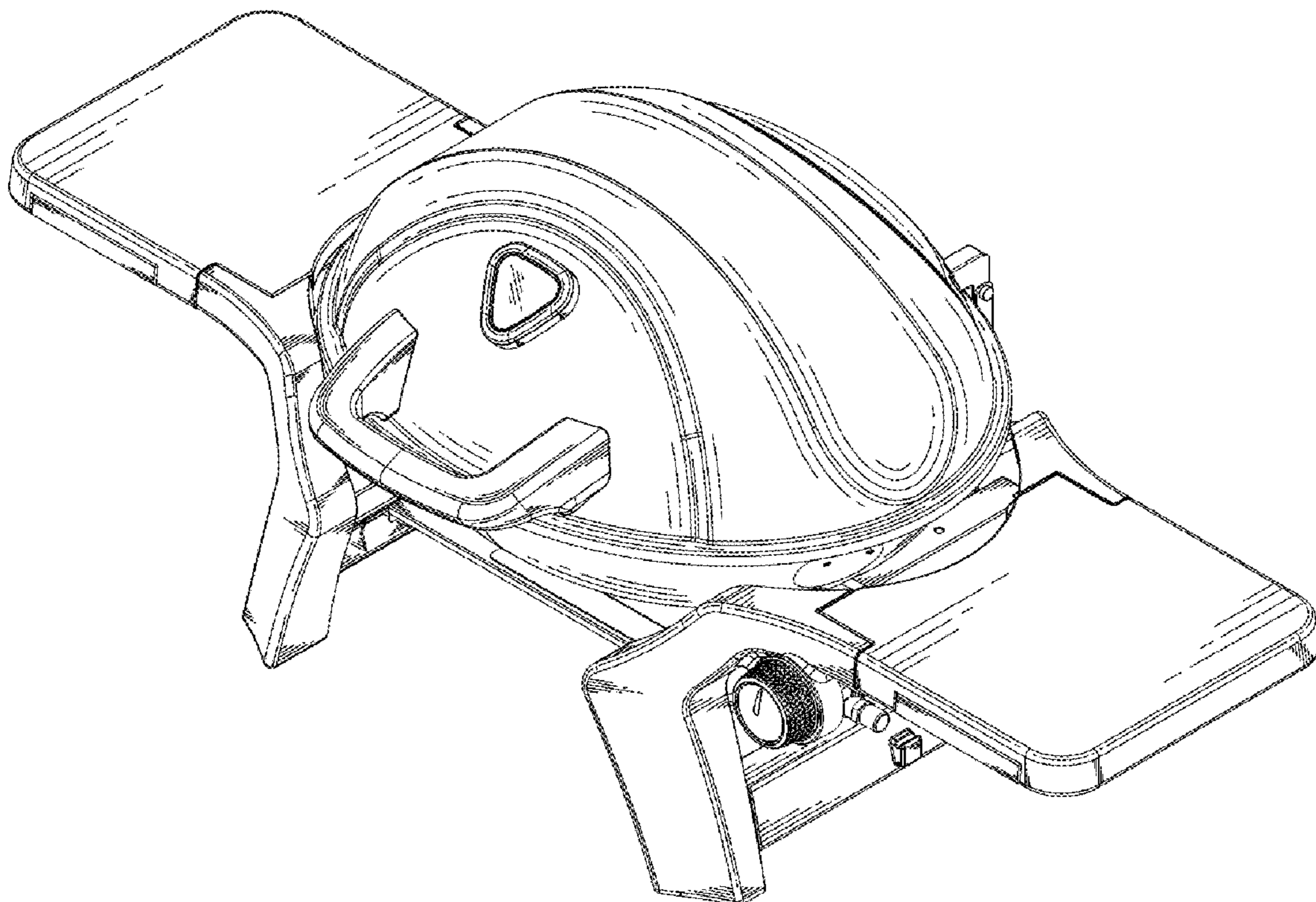
(57) **CLAIM**

The ornamental design for a barbeque, as shown and described.

**DESCRIPTION**

FIG. 1 is a perspective view of a barbeque;  
FIG. 2 is a front view thereof;  
FIG. 3 is a rear view thereof;  
FIG. 4 is a left side view thereof;  
FIG. 5 is a right side view thereof;  
FIG. 6 is a top view thereof;  
FIG. 7 is a bottom view thereof; and,  
FIG. 8 is a folded state view thereof.

**1 Claim, 8 Drawing Sheets**



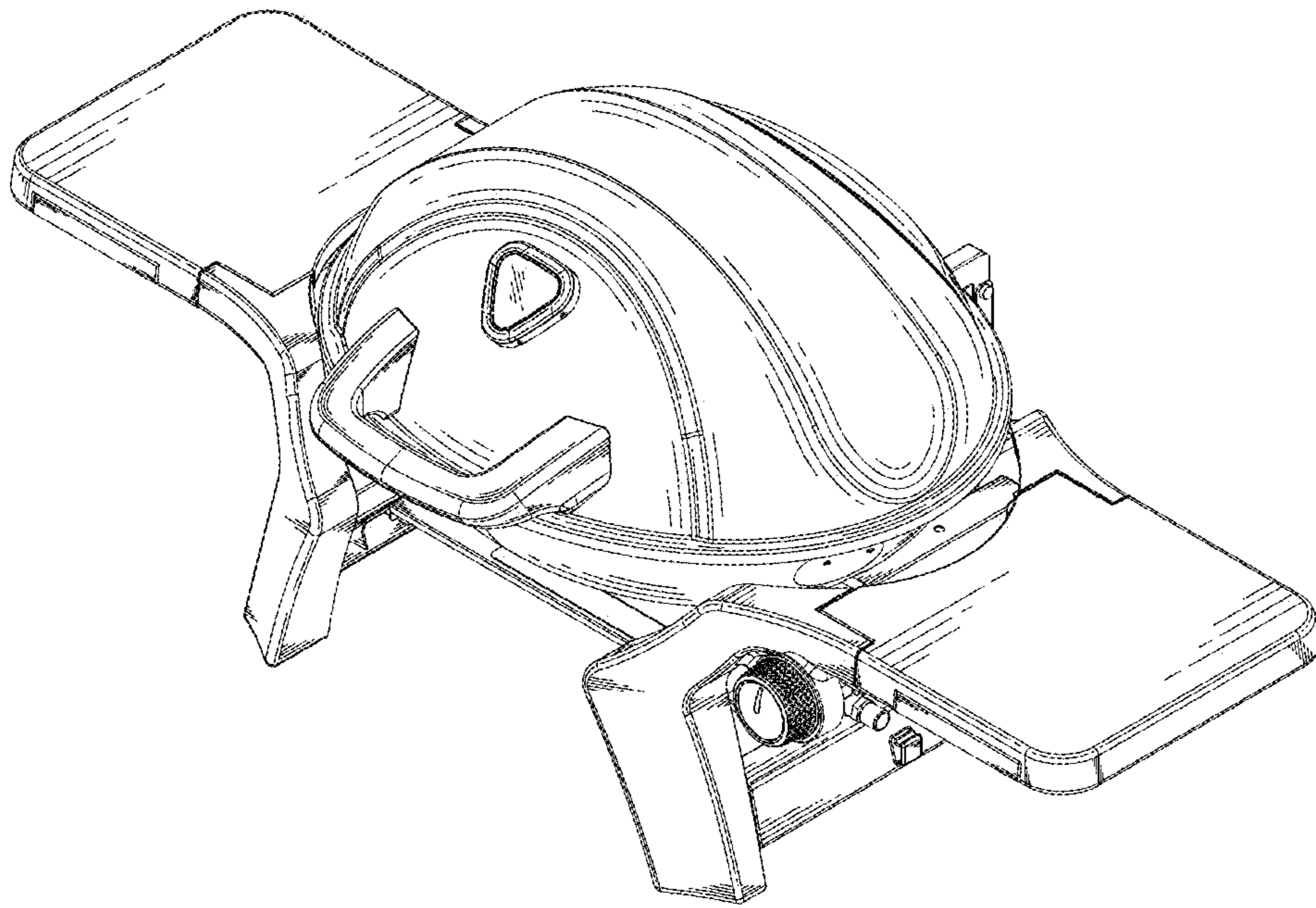


FIG. 1

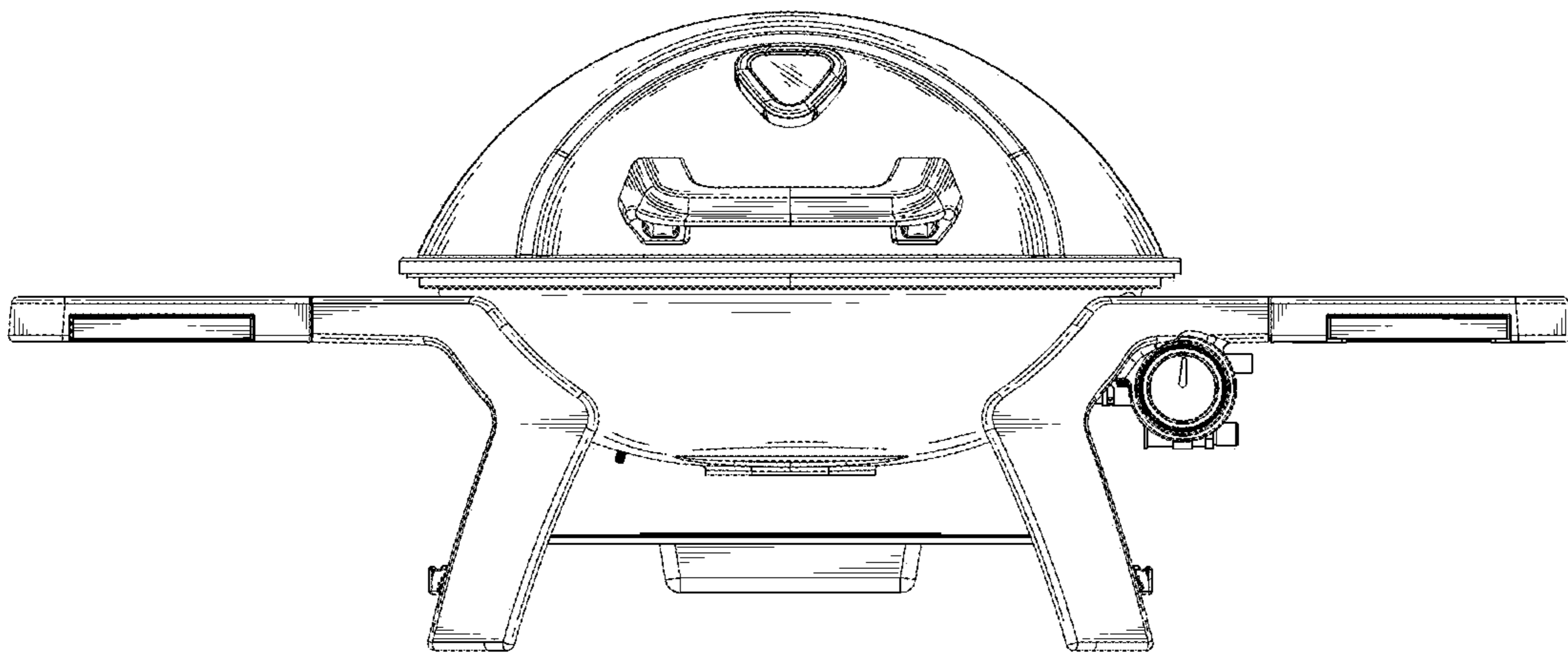


FIG. 2

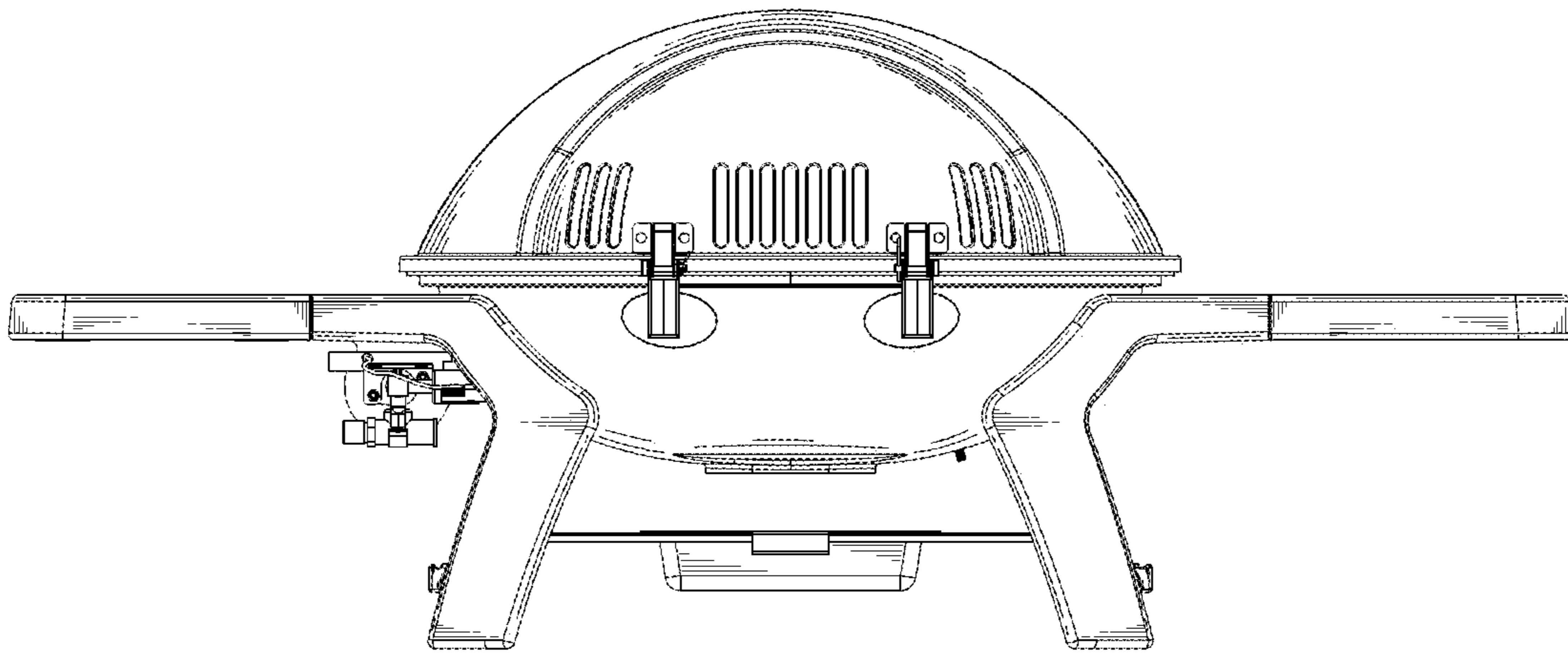


FIG. 3

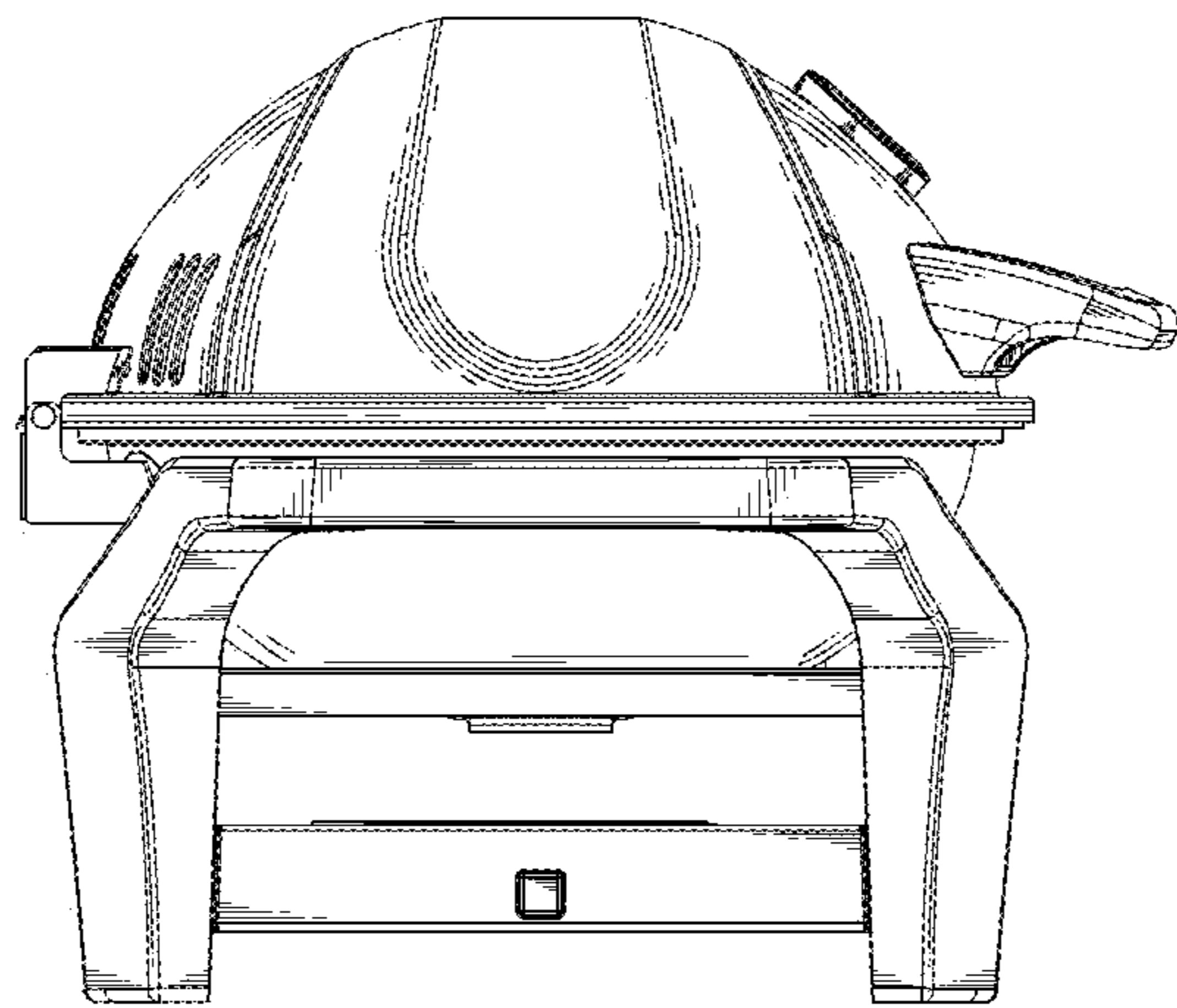


FIG. 4

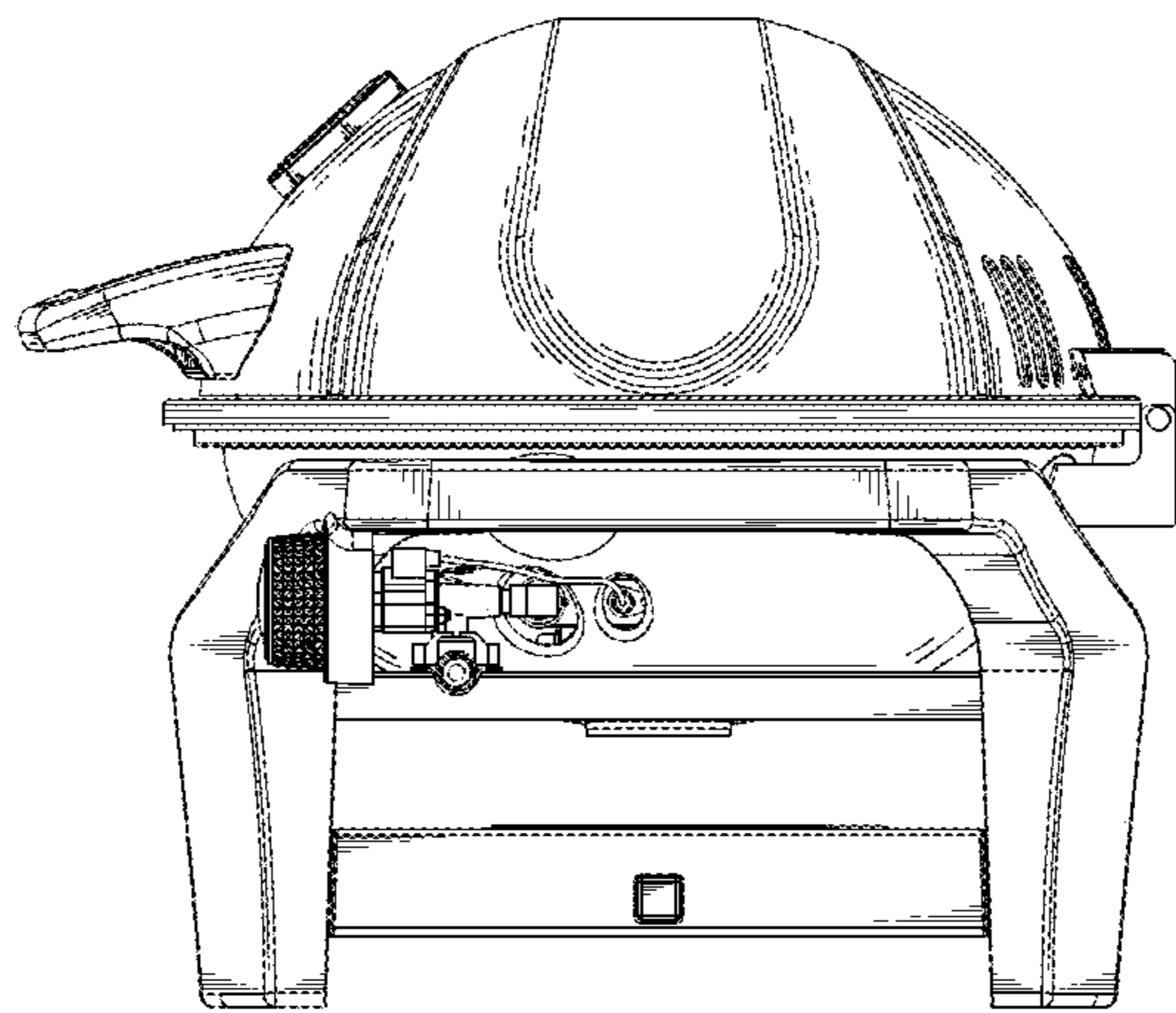


FIG. 5

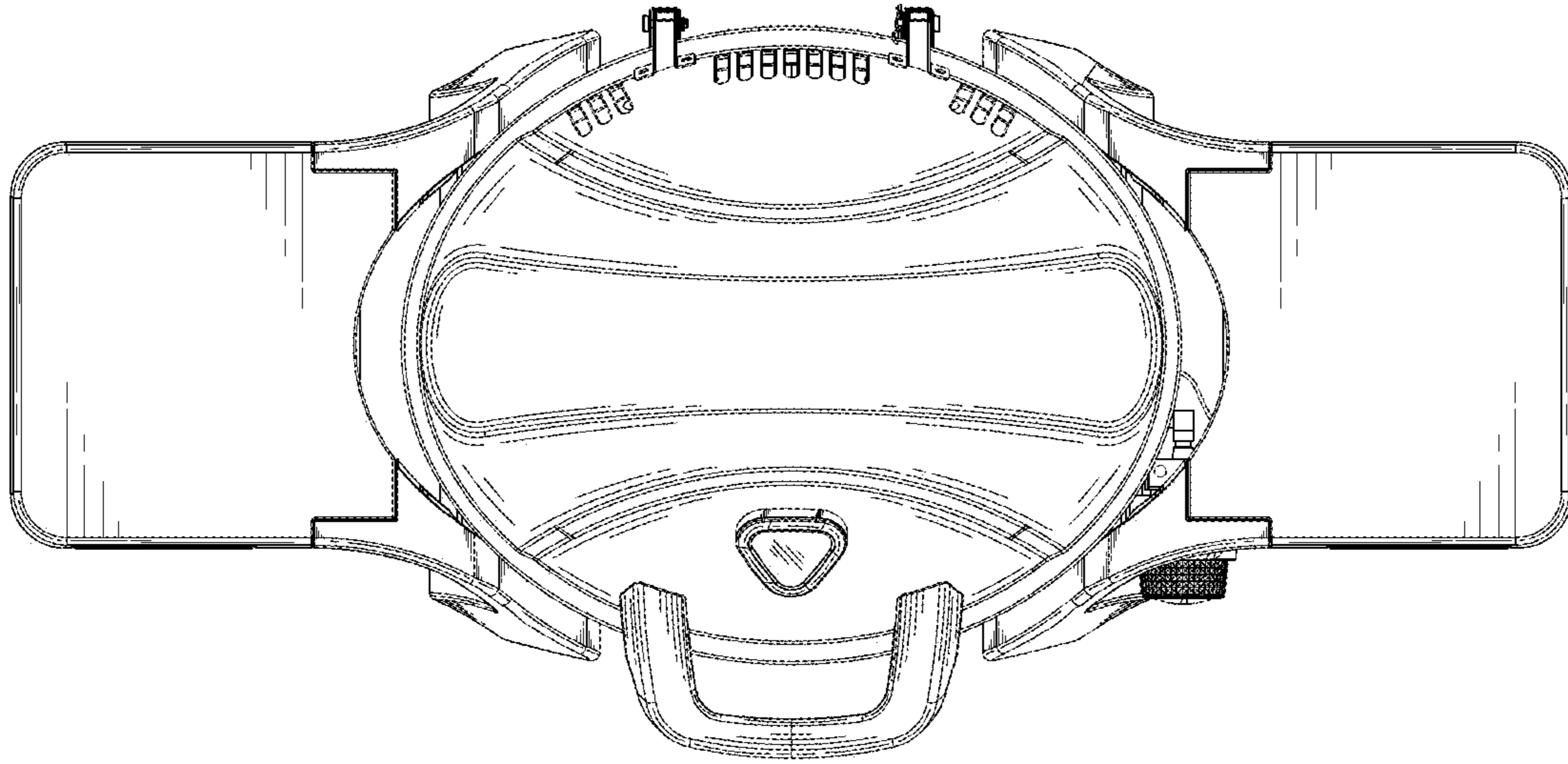


FIG. 6

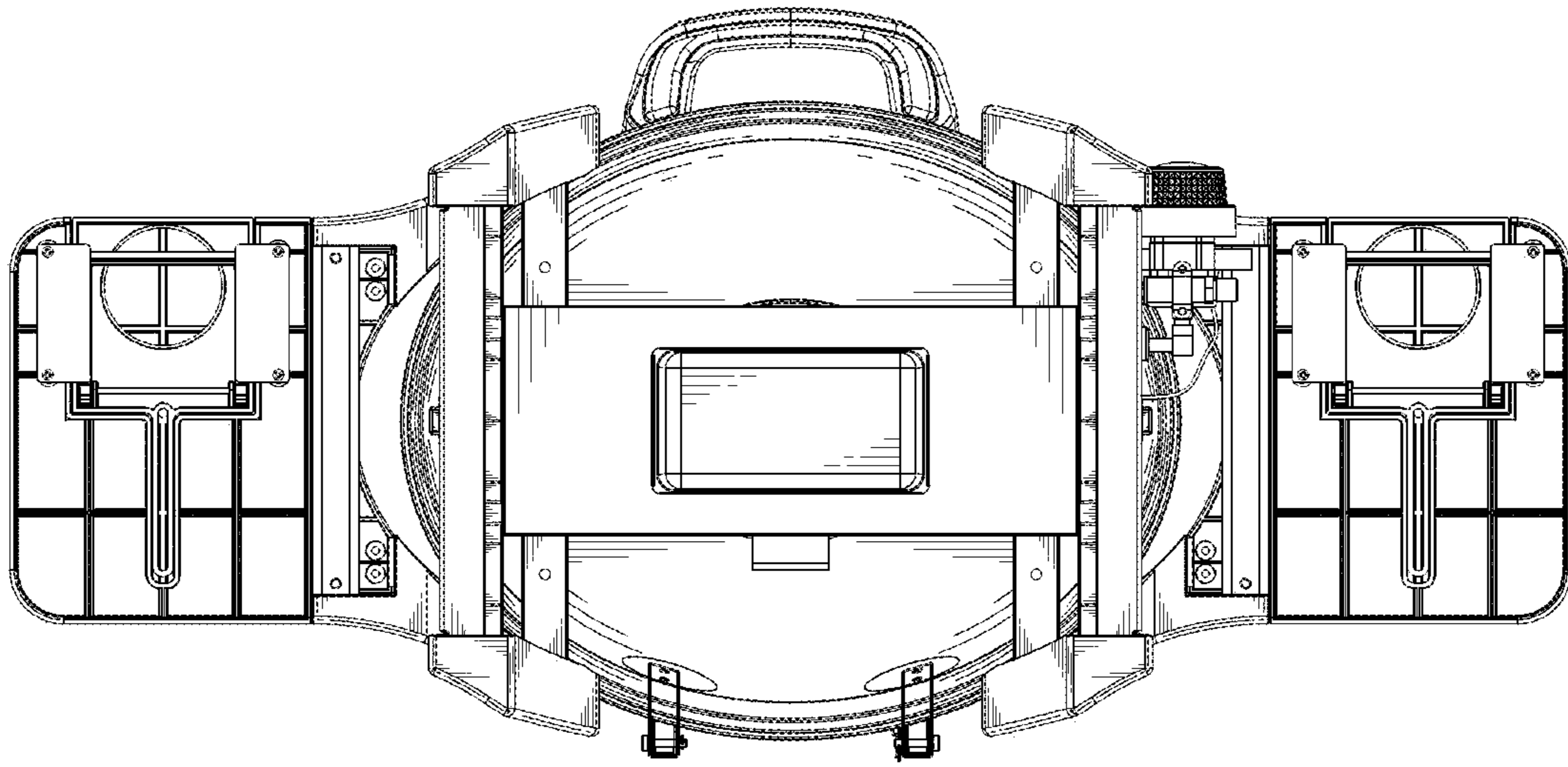


FIG. 7



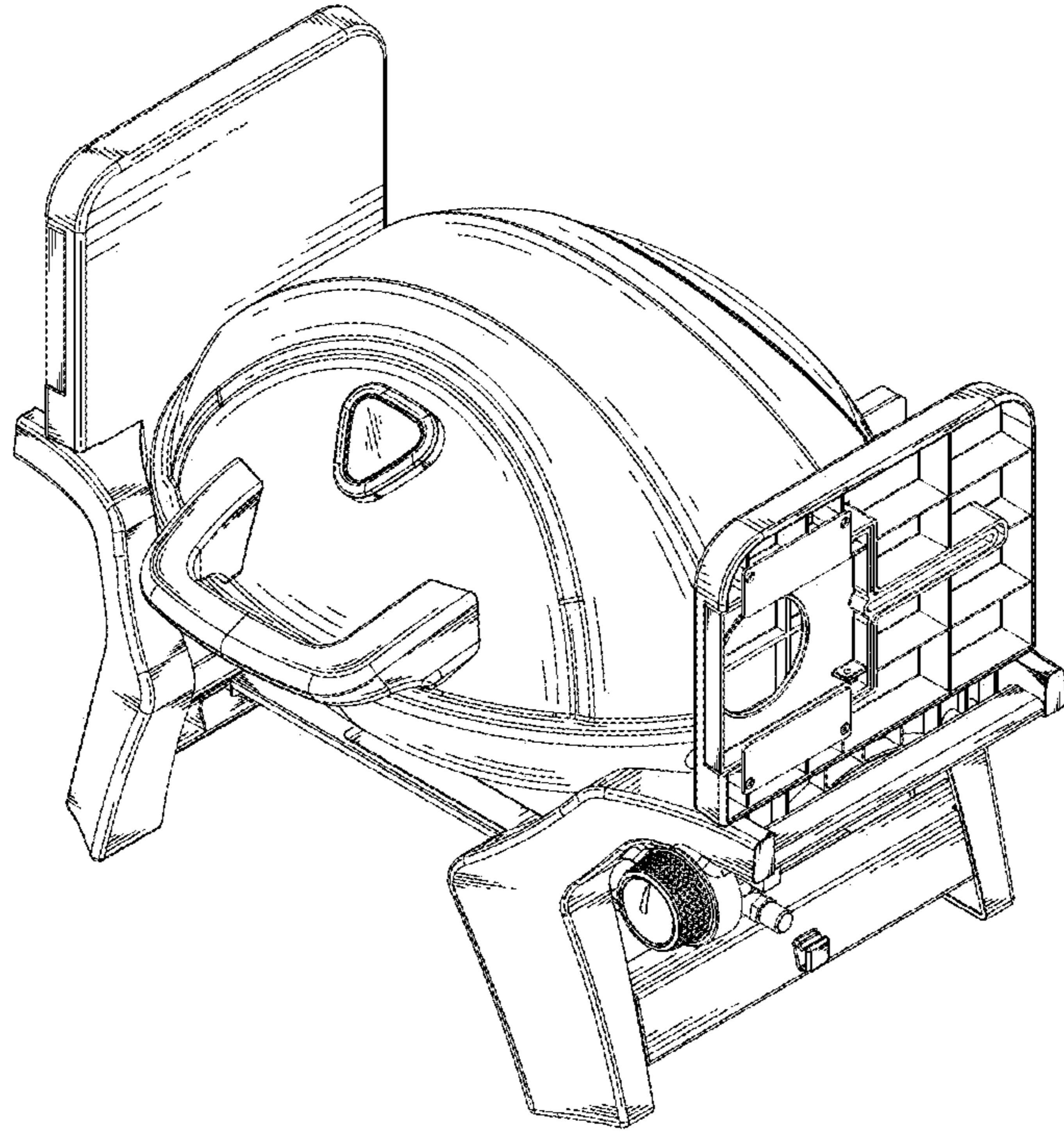


FIG. 8