



US00D881630S

(12) **United States Design Patent**
Lien

(10) **Patent No.:** **US D881,630 S**
(45) **Date of Patent:** **** Apr. 21, 2020**

(54) **BARBEQUE**
(71) Applicant: **MOR DESIGNS LTD.**, Taipei (TW)
(72) Inventor: **Hung Mei Lien**, Taipei (TW)
(73) Assignee: **MOR DESIGNS LTD.**, Taipei (TW)
(**) Term: **15 Years**

D726,490 S * 4/2015 Spencer D7/332
D737,092 S * 8/2015 Lin D7/334
D742,681 S * 11/2015 Pai D7/337
D744,775 S * 12/2015 Yang D7/334
D760,012 S * 6/2016 Lin D7/337
D786,004 S * 5/2017 Yang D7/334
2005/0252504 A1 * 11/2005 Cabrera A47J 37/0704
126/50
2013/0074822 A1 * 3/2013 Chien A47J 37/0763
126/25 R

(21) Appl. No.: **29/654,503**

(22) Filed: **Jun. 25, 2018**

(30) **Foreign Application Priority Data**

Oct. 24, 2017 (CN) 2017 3 0507680

(51) **LOC (12) Cl.** **07-02**

(52) **U.S. Cl.**
USPC **D7/334**

(58) **Field of Classification Search**
USPC D7/332-337, 402-409; 126/25 R
CPC A47J 37/07-0786; A47J 33/00; A47J
2037/0777; A47J 2037/0795; A23B
4/044-056

See application file for complete search history.

(56) **References Cited**

U.S. PATENT DOCUMENTS

5,582,094 A * 12/1996 Peterson A47J 37/0786
99/445
D680,365 S * 4/2013 Chung D7/334
D680,366 S * 4/2013 Chung D7/334
D687,667 S * 8/2013 Chien D7/334
D688,082 S * 8/2013 Crick D7/334
D717,097 S * 11/2014 Lin D7/334
D717,098 S * 11/2014 Chung D7/334

* cited by examiner

Primary Examiner — Brett Miller

(74) *Attorney, Agent, or Firm* — Nixon & Vanderhye PC

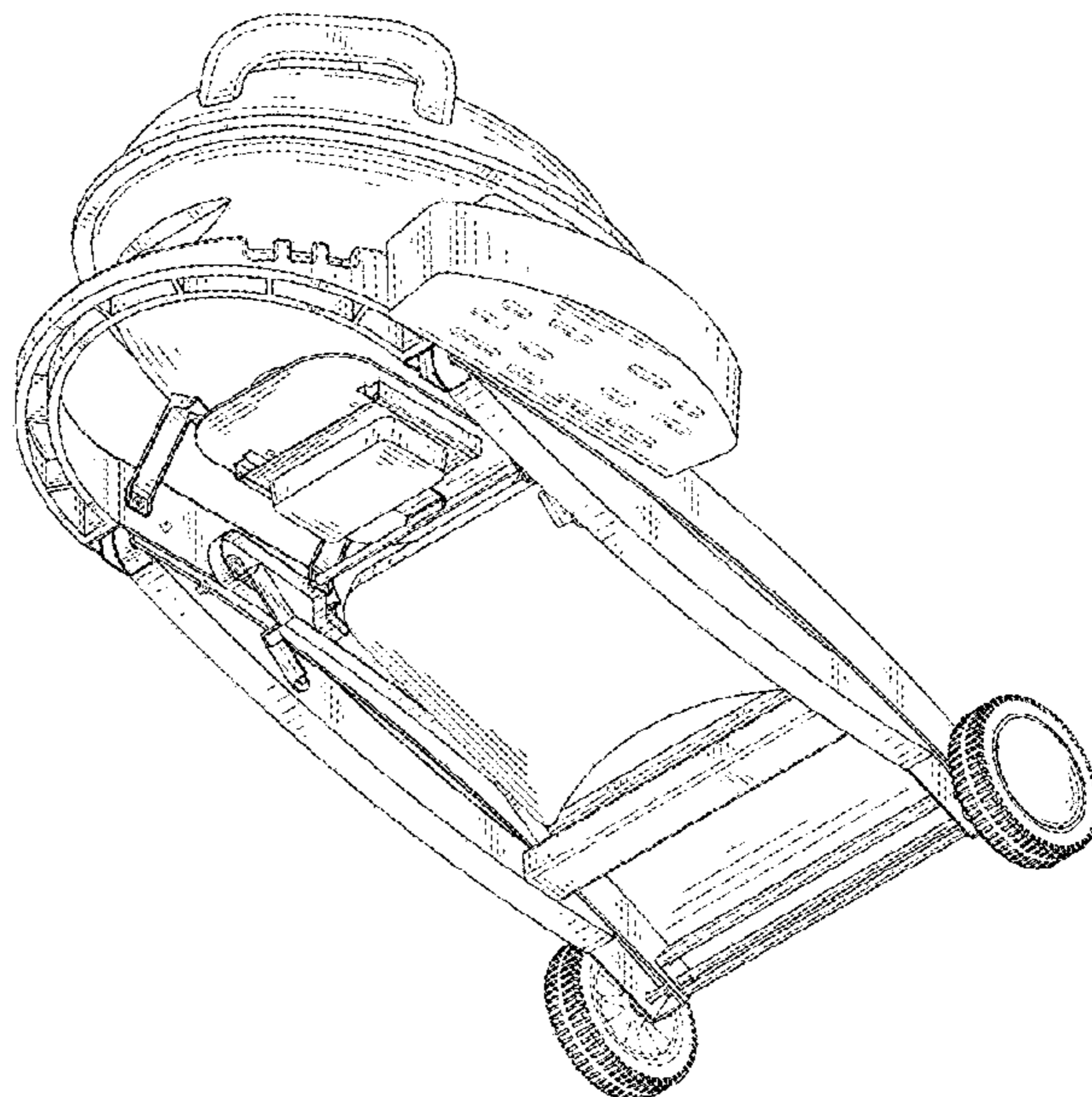
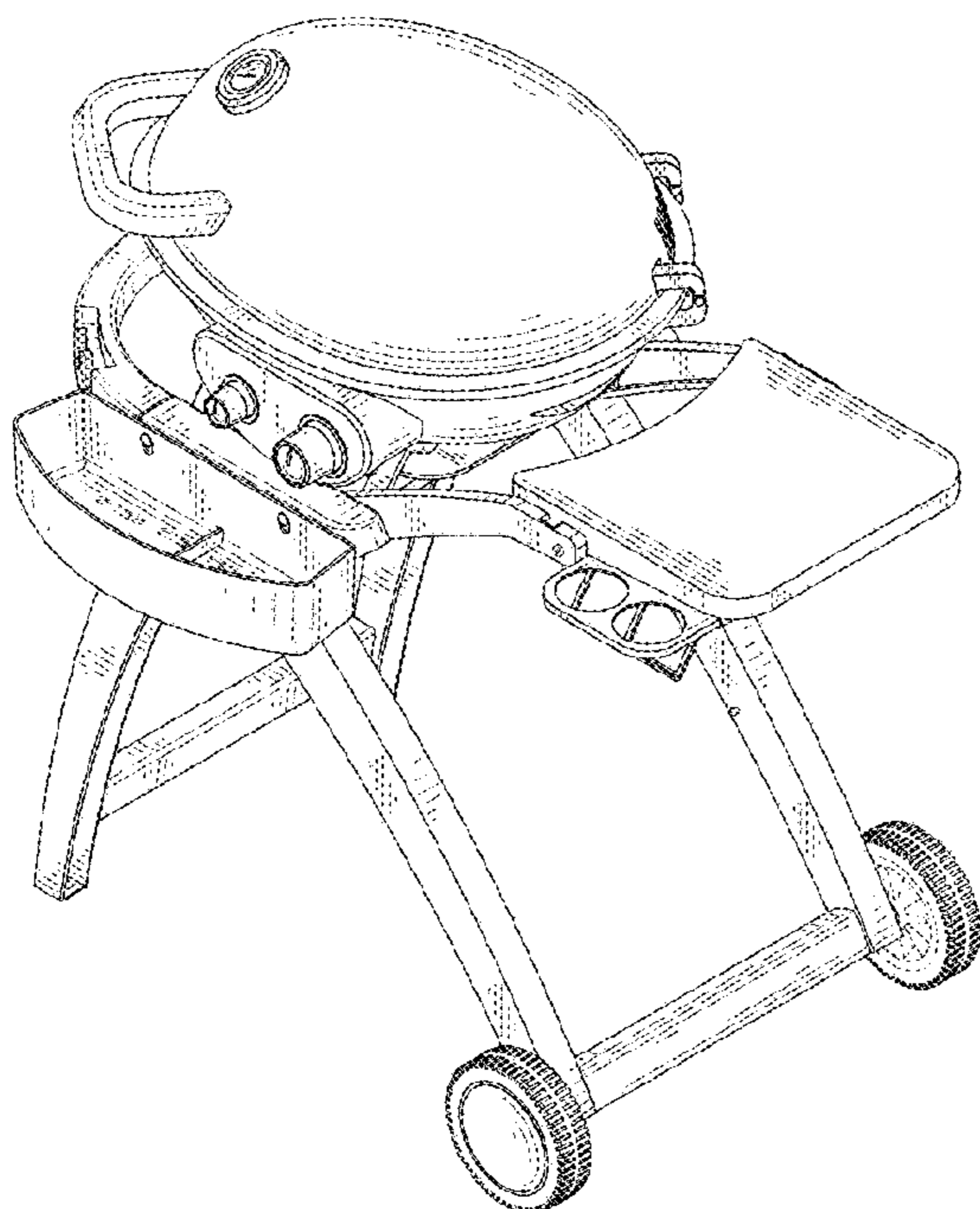
(57) **CLAIM**

The ornamental design for a barbeque, as shown and described.

DESCRIPTION

FIG. 1 a front view of a barbeque;
FIG. 2 is a rear view thereof;
FIG. 3 is a left side view thereof;
FIG. 4 is a right side view thereof;
FIG. 5 is a top view thereof;
FIG. 6 is a bottom view thereof;
FIG. 7 is a first perspective view thereof;
FIG. 8 is a second perspective view of the barbeque in a folded state;
FIG. 9 is a first perspective view of the barbeque in a collapsed state; and,
FIG. 10 is a second perspective view of the barbeque in a collapsed state.
The broken lines depict portions of the barbeque that form no part of the claimed design. The broken lines immediately adjacent the shaded areas represent the bounds of the claimed design.

1 Claim, 10 Drawing Sheets



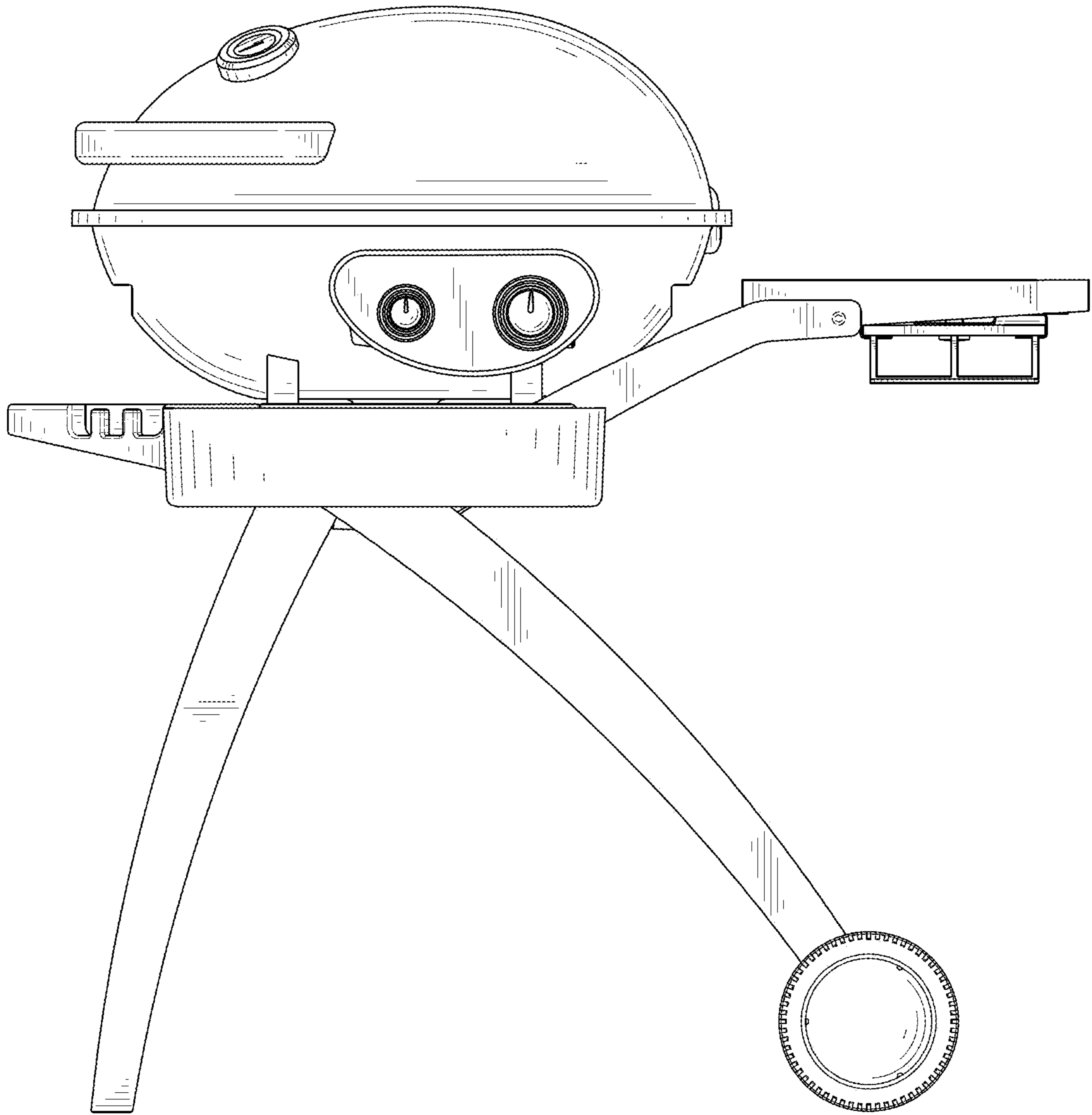


FIG. 1

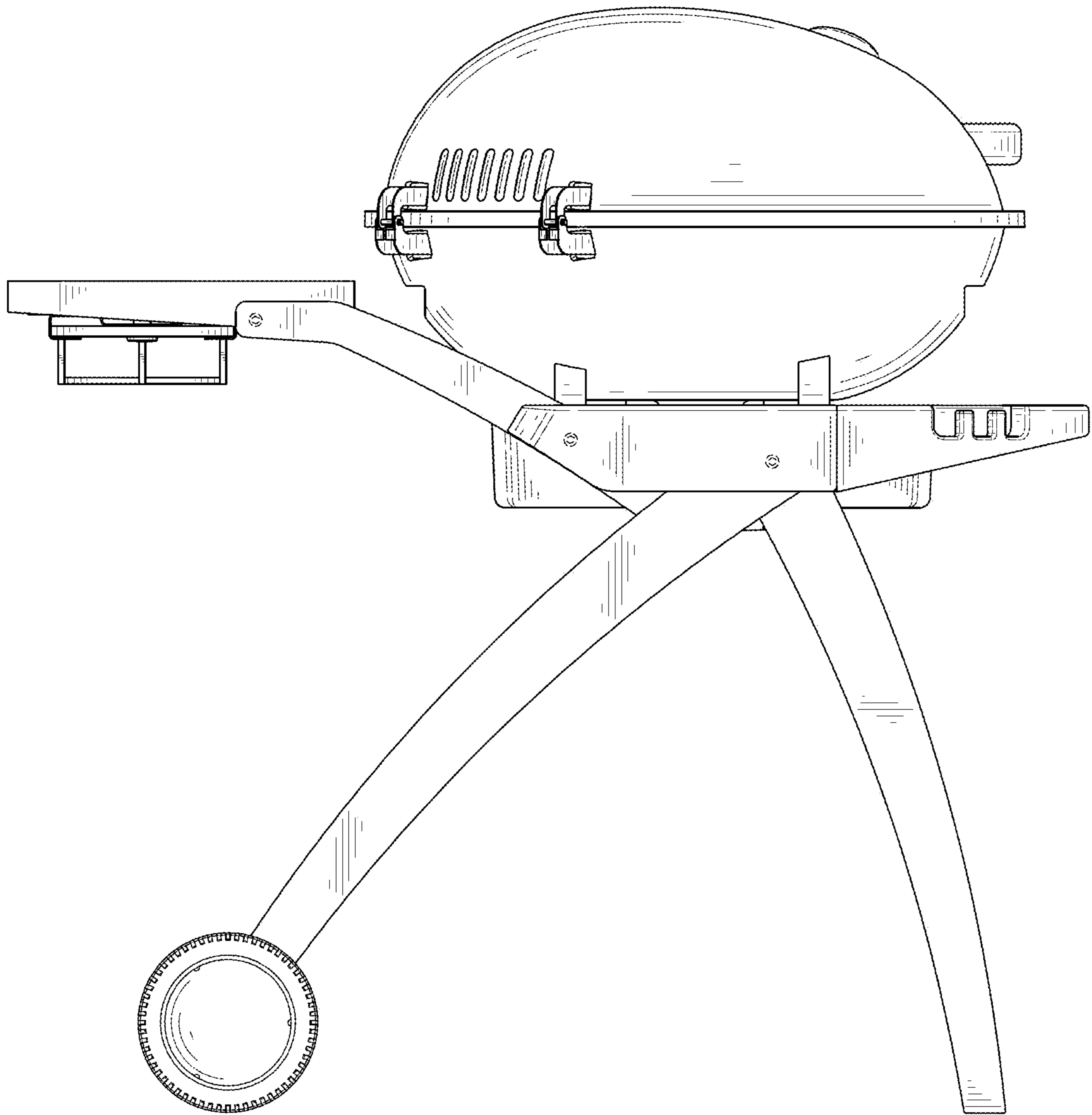


FIG. 2

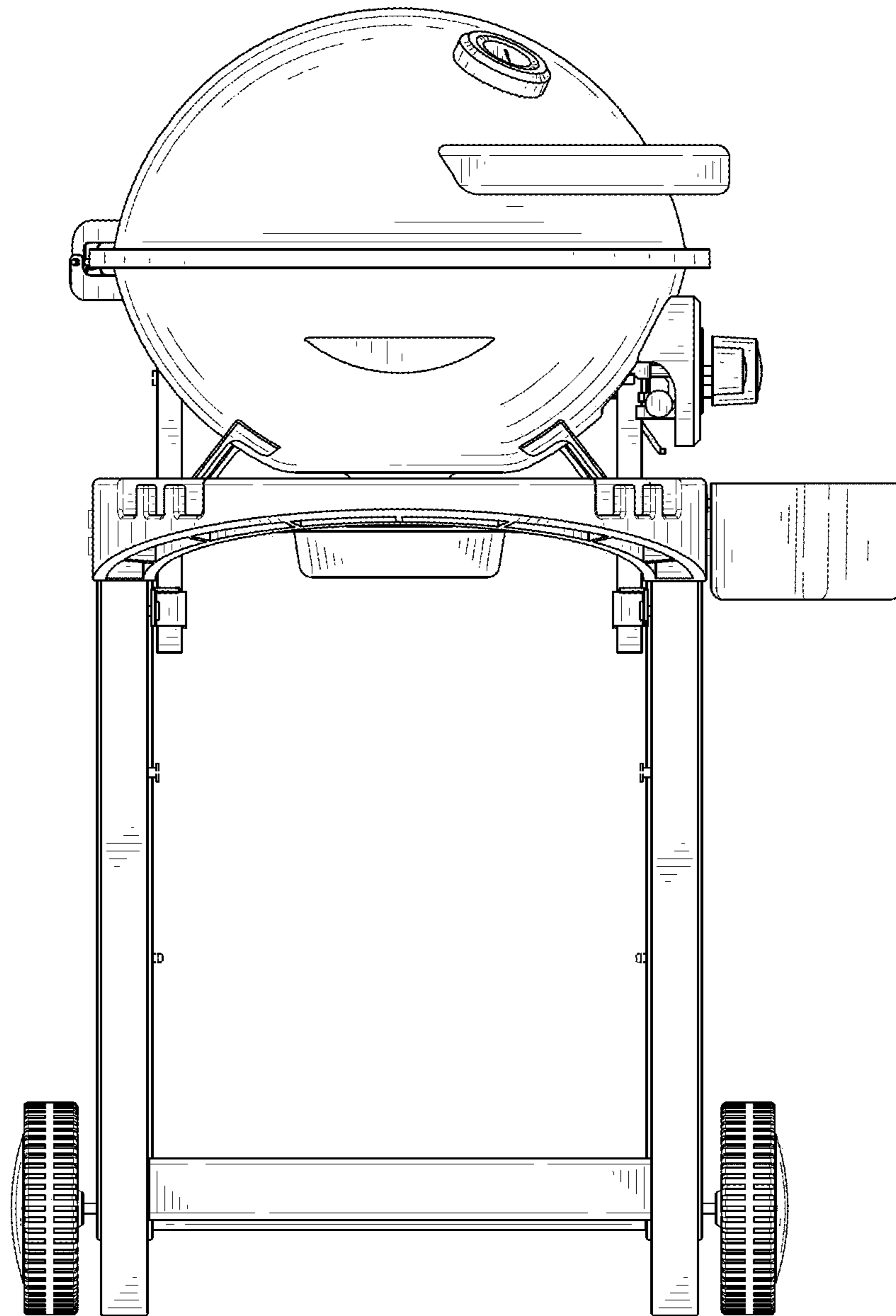


FIG. 3

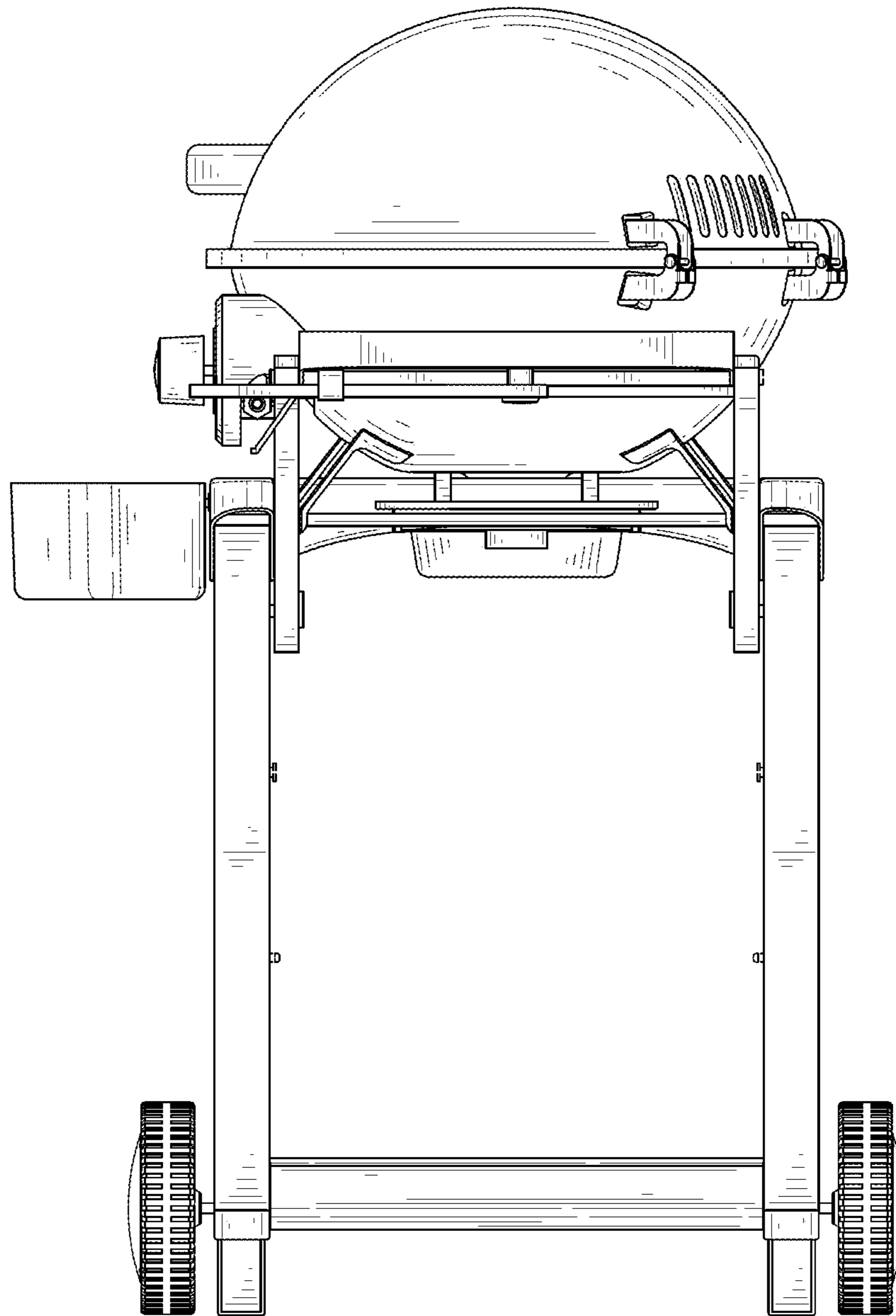


FIG. 4

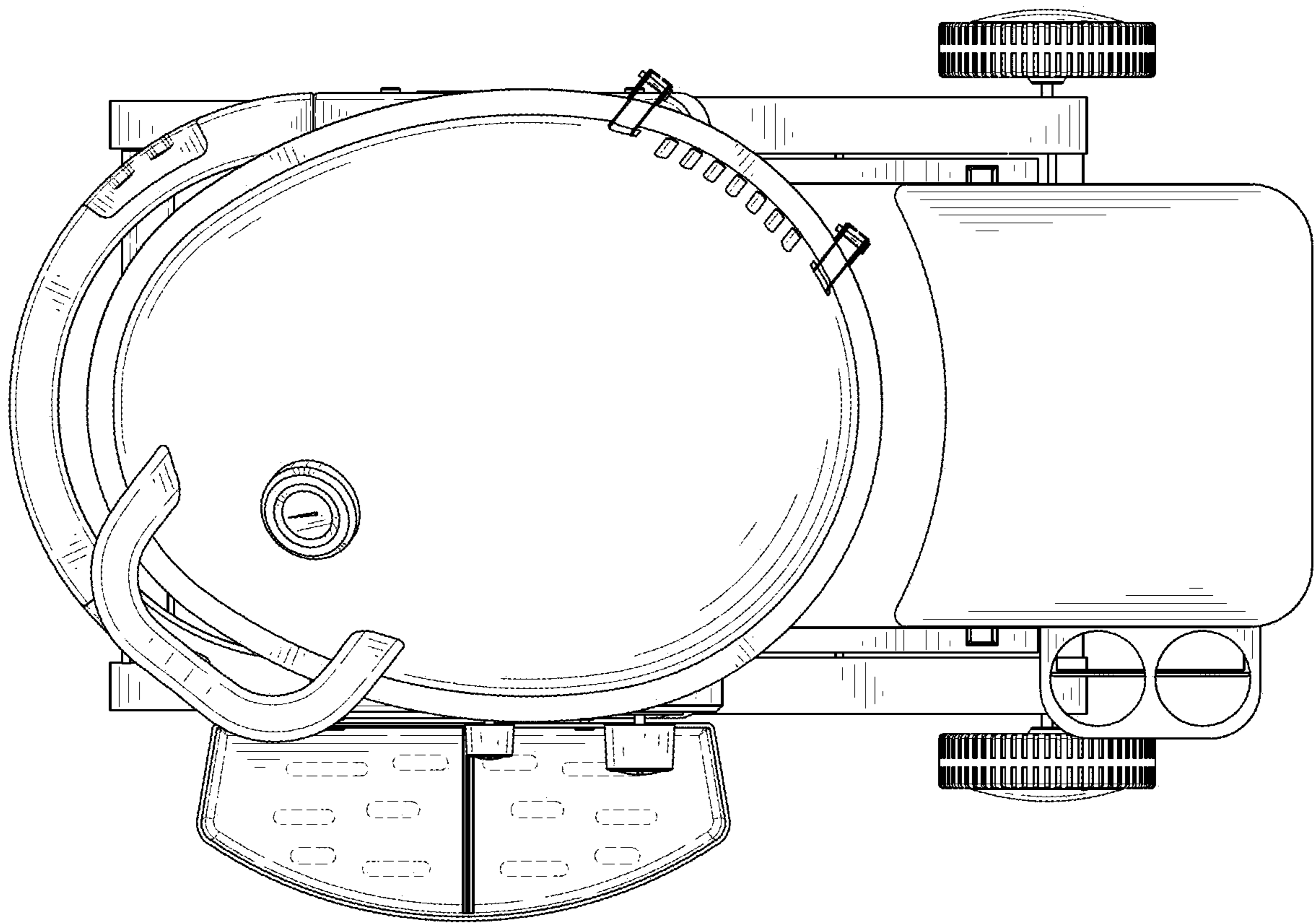


FIG. 5

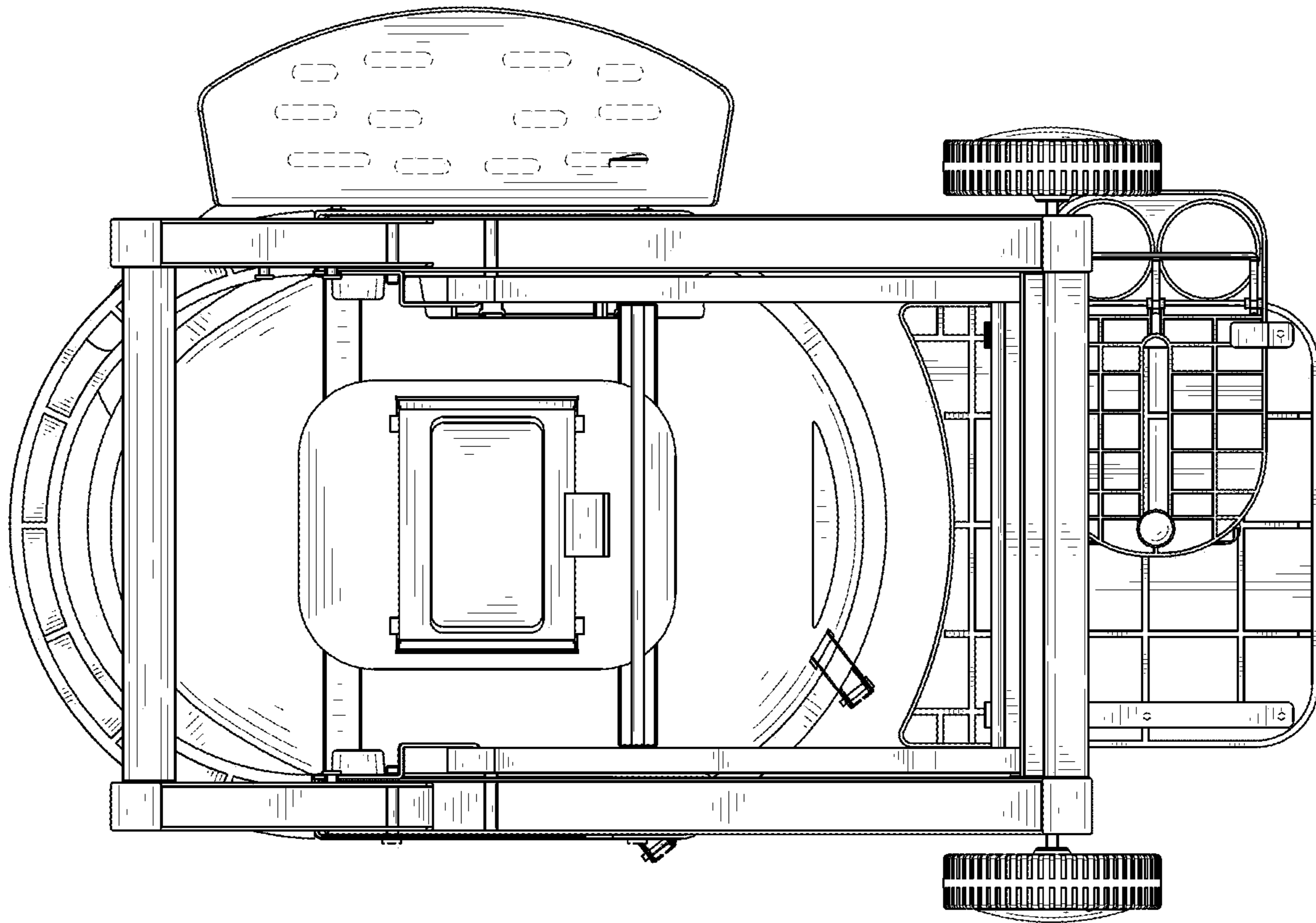


FIG. 6

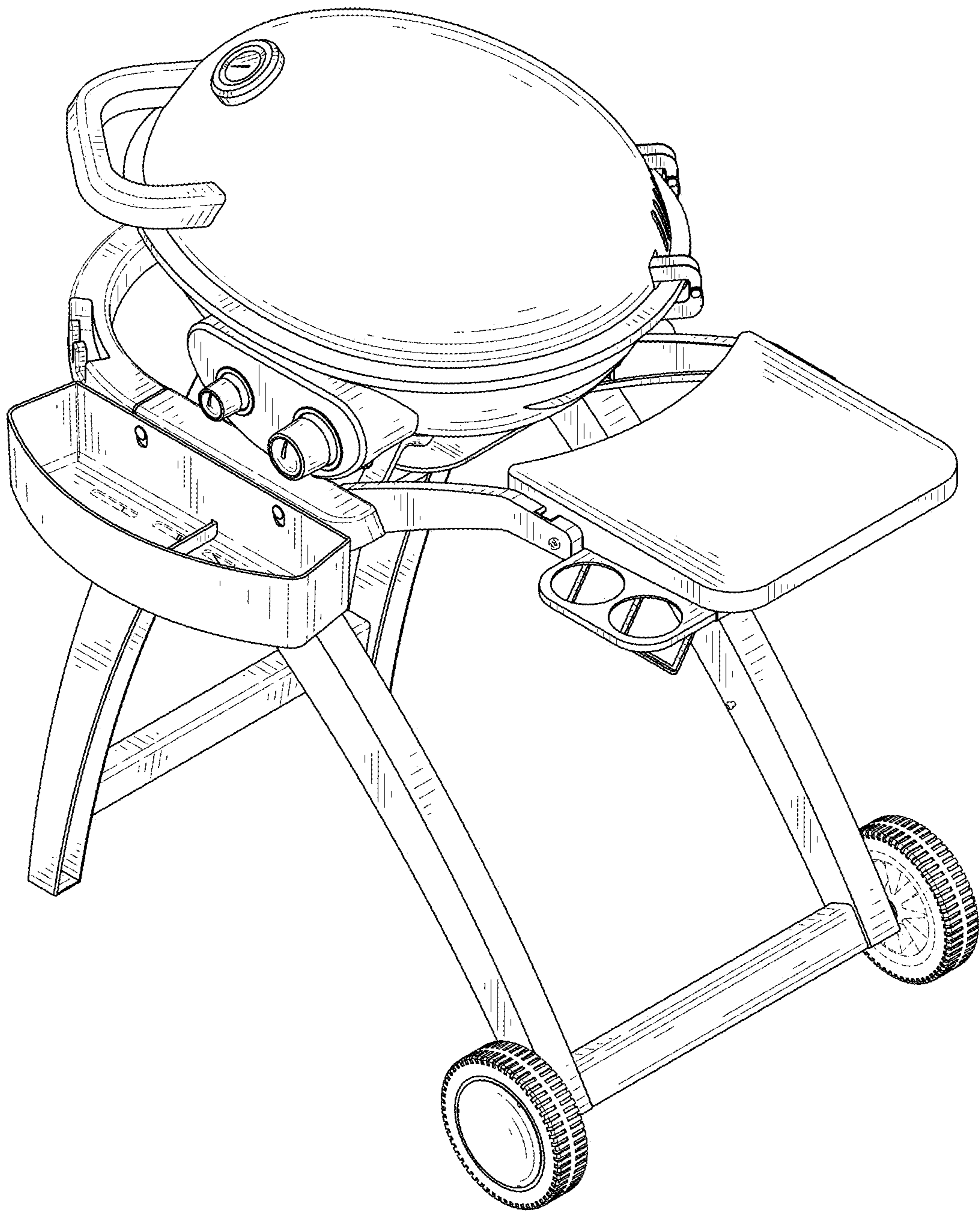


FIG. 7

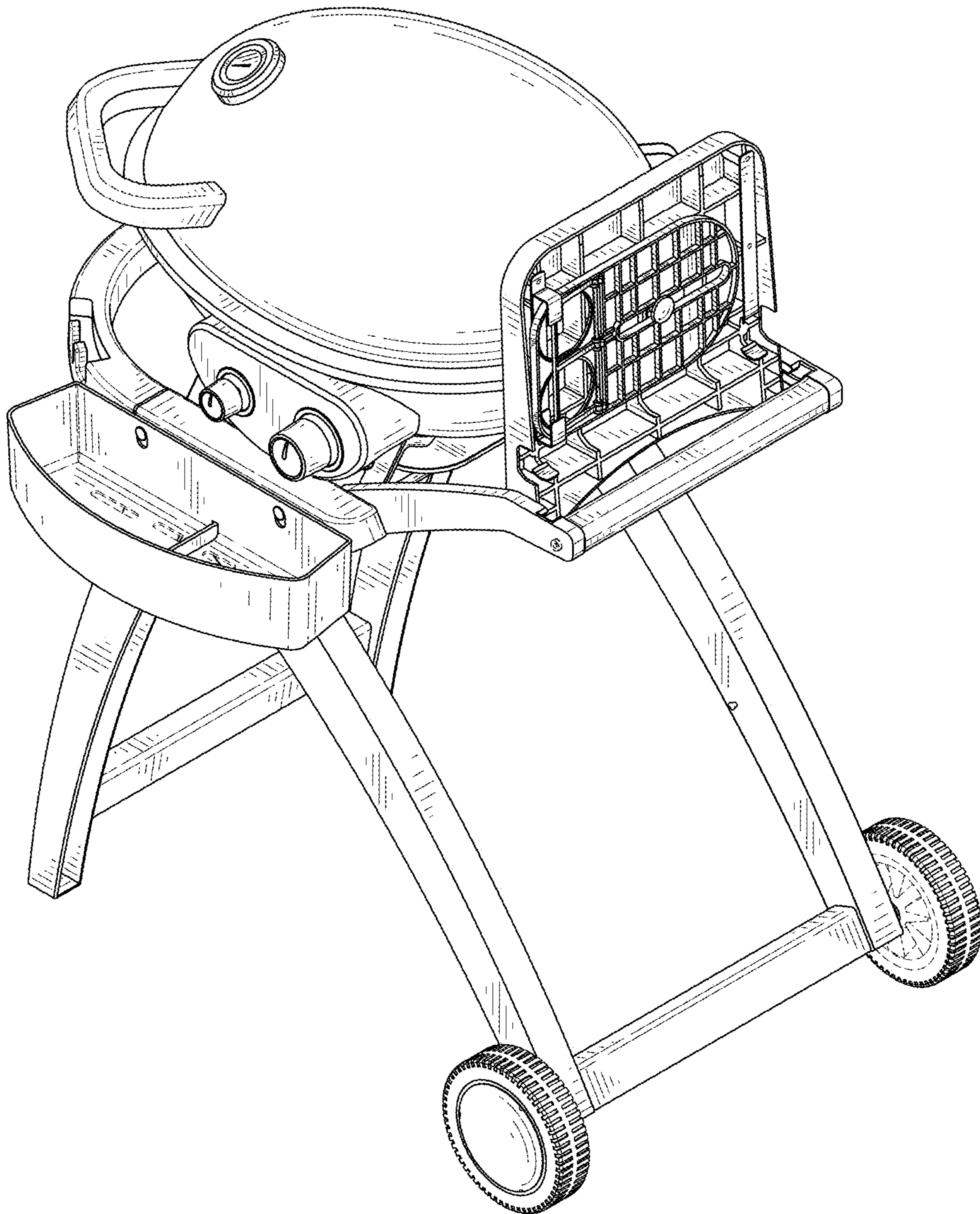


FIG. 8

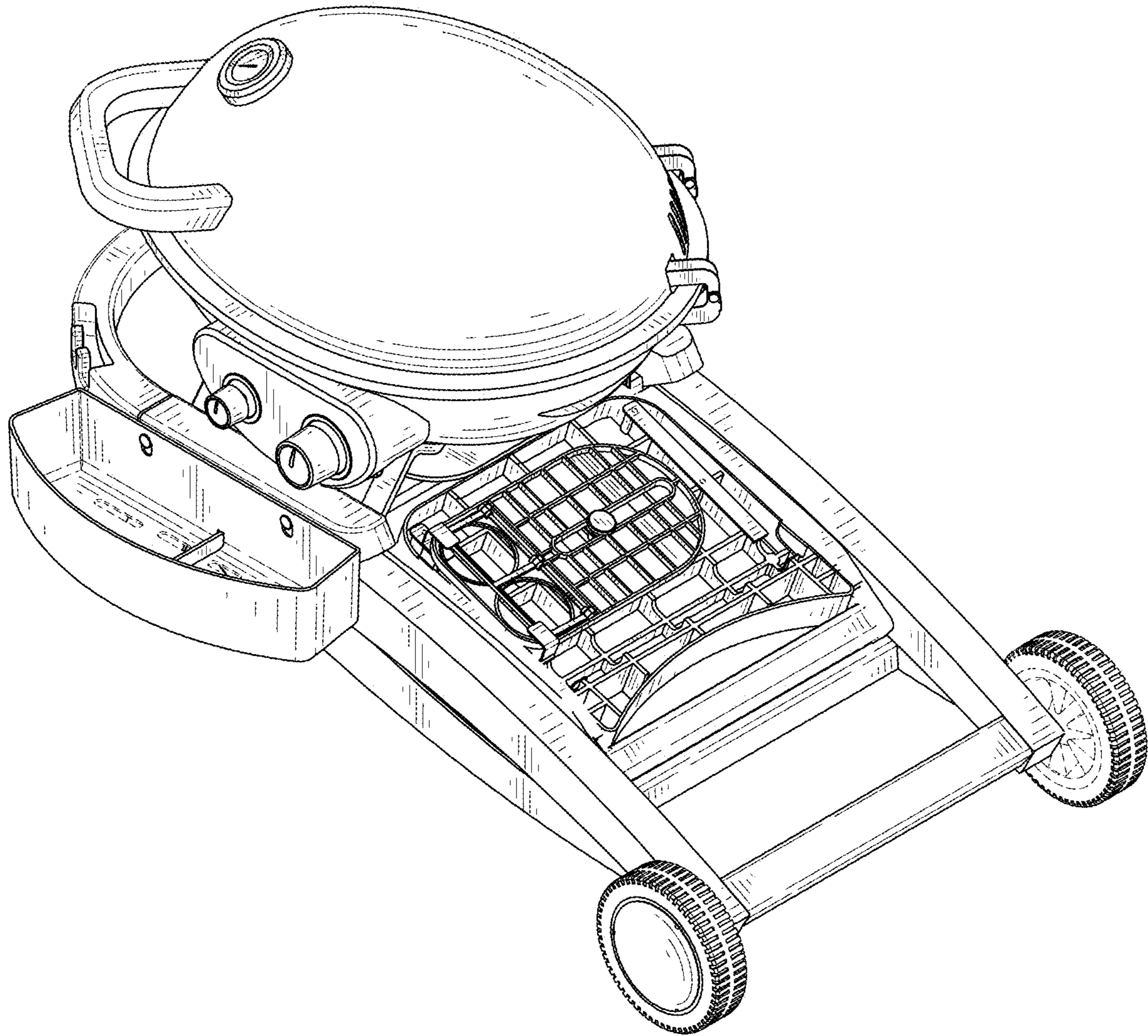


FIG. 9

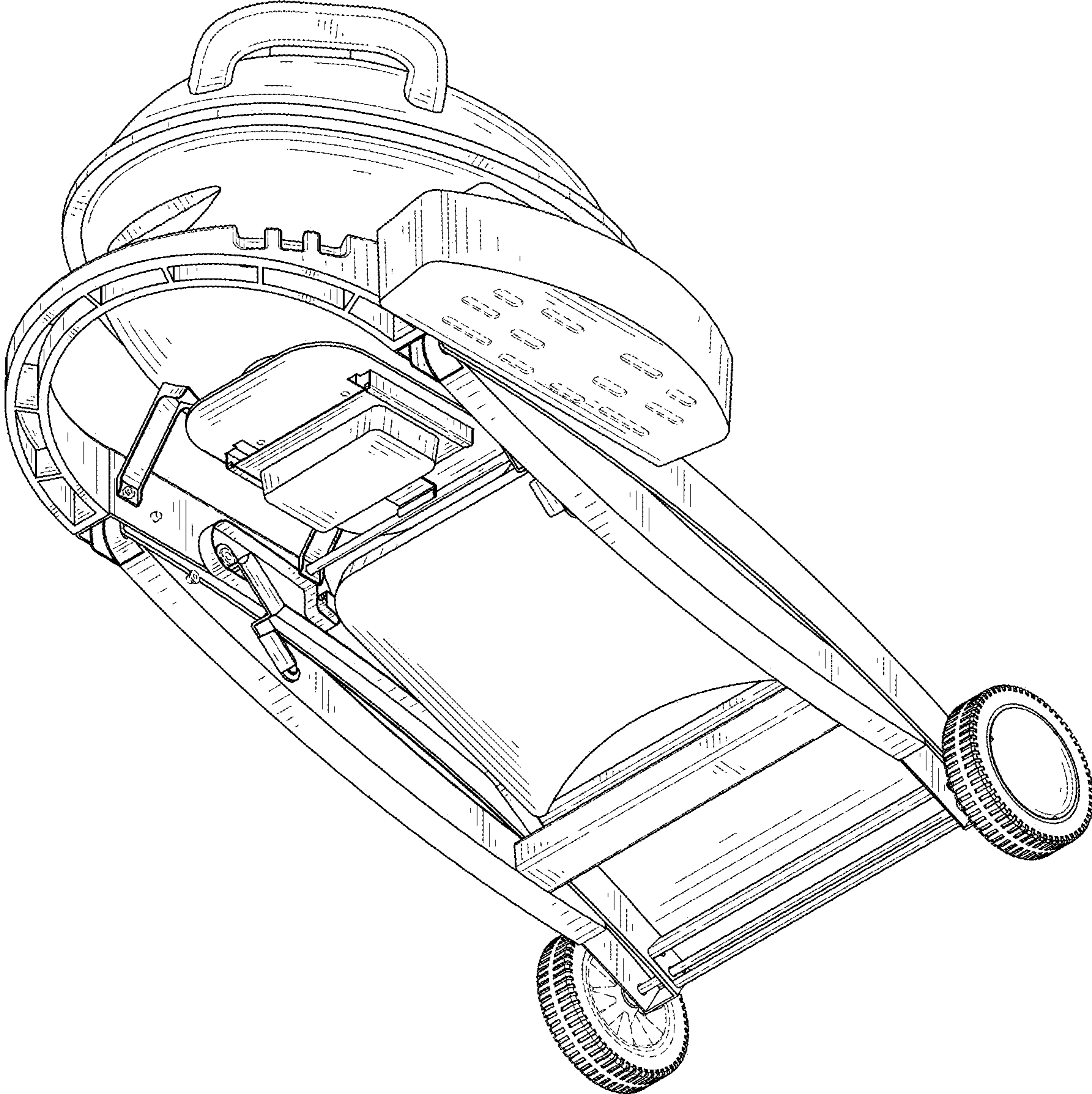


FIG. 10