



US00D881628S

(12) **United States Design Patent** (10) **Patent No.:** **US D881,628 S**
Vazin (45) **Date of Patent:** **** Apr. 21, 2020**

(54) **PITCHER**

(71) Applicant: **American Maid Plastic Co.**, Riverside, CA (US)

(72) Inventor: **Moe Vazin**, Riverside, CA (US)

(73) Assignee: **AMERICAN MAID PLASTIC CO.**, Riverside, CA (US)

(**) Term: **15 Years**

(21) Appl. No.: **29/651,626**

(22) Filed: **Nov. 7, 2018**

(51) **LOC (12) Cl.** **07-01**

(52) **U.S. Cl.**
USPC **D7/318**

(58) **Field of Classification Search**
USPC D7/300, 312, 316-318, 598; D9/516, D9/530, 531, 906
CPC .. A23N 1/00; A47G 19/22; A47J 43/00; A47J 43/04; A47J 43/046; B01F 7/00; B01F 7/16

See application file for complete search history.

(56) **References Cited**

U.S. PATENT DOCUMENTS

D227,535 S *	7/1973	Grimes	D7/318
D400,392 S *	11/1998	Robertson	D7/319
D482,973 S *	12/2003	Nottingham	D9/531
D684,818 S *	6/2013	Lee	D7/376
D731,329 S *	6/2015	Joseph	D10/46.2
D742,172 S *	11/2015	Dickson, Jr.	D7/376
9,420,915 B2 *	8/2016	Dickson, Jr.	B01F 7/1675
D791,541 S *	7/2017	Stumph	D7/376
D801,116 S *	10/2017	Cerasani	D7/510
D808,719 S *	1/2018	Coakley	D7/413
D811,167 S *	2/2018	Smith	D7/413
2009/0238034 A1 *	9/2009	Ulanski	A47J 43/0727 366/341

* cited by examiner

Primary Examiner — Derrick E Holland

Assistant Examiner — Andrew Kerr

(74) *Attorney, Agent, or Firm* — Jonathan E. Grant; Grant Patent Services

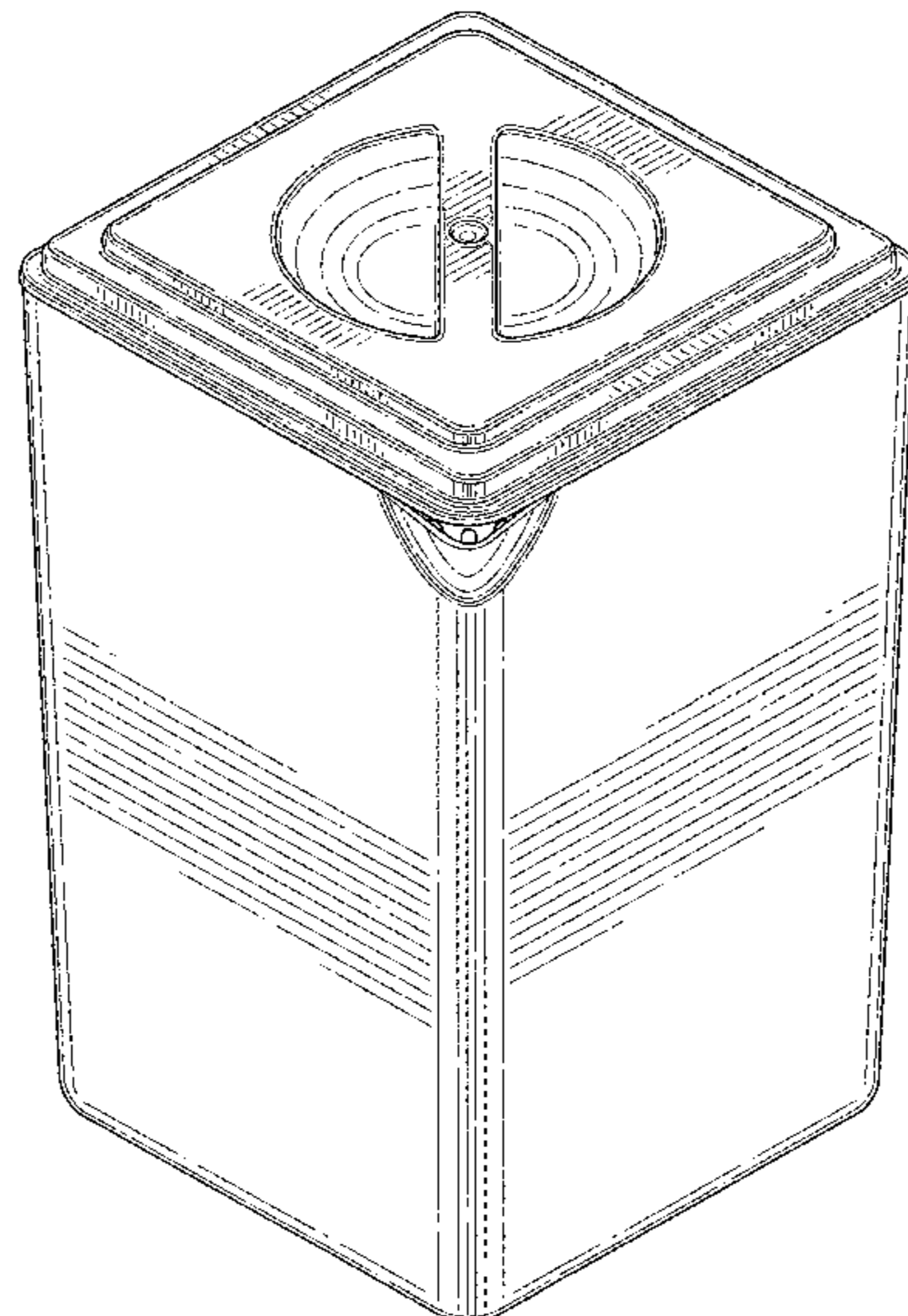
(57) **CLAIM**

I claim the ornamental design for a pitcher, as shown and described.

DESCRIPTION

FIG. 1 is a front perspective view of a pitcher, showing my new design;
FIG. 2 is a first side view thereof;
FIG. 3 is a second side view thereof;
FIG. 4 is a third side view thereof;
FIG. 5 is a fourth side view thereof;
FIG. 6 is a top view thereof;
FIG. 7 is a bottom view thereof;
FIG. 8 is a perspective view of the lid of the pitcher, shown separately for ease of illustration;
FIG. 9 is a first side view thereof;
FIG. 10 is a second side view thereof;
FIG. 11 is a third side view thereof;
FIG. 12 is a fourth side view thereof;
FIG. 13 is a top view thereof;
FIG. 14 is bottom view thereof;
FIG. 15 is a front perspective view of the container portion of the pitcher, shown for ease of illustration;
FIG. 16 is a first side view thereof;
FIG. 17 is a second side view thereof;
FIG. 18 is a third side view thereof;
FIG. 19 is a fourth side view thereof;
FIG. 20 is a top view thereof;
FIG. 21 is a bottom view thereof; and,
FIG. 22 is an exploded view thereof.
The broken lines in the drawings depict portions of the pitcher that form no part of the claimed design.

1 Claim, 20 Drawing Sheets



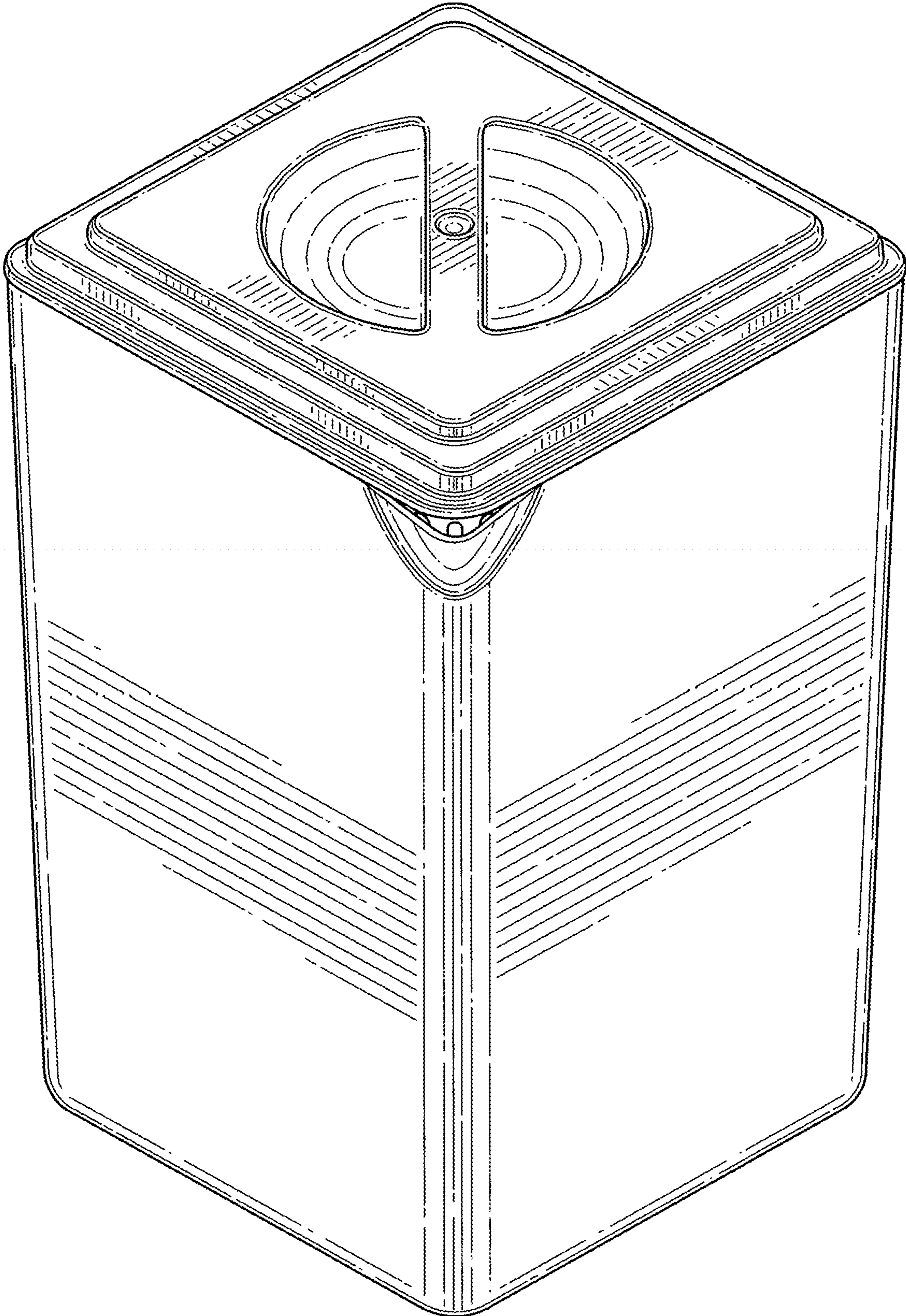


FIG. 1

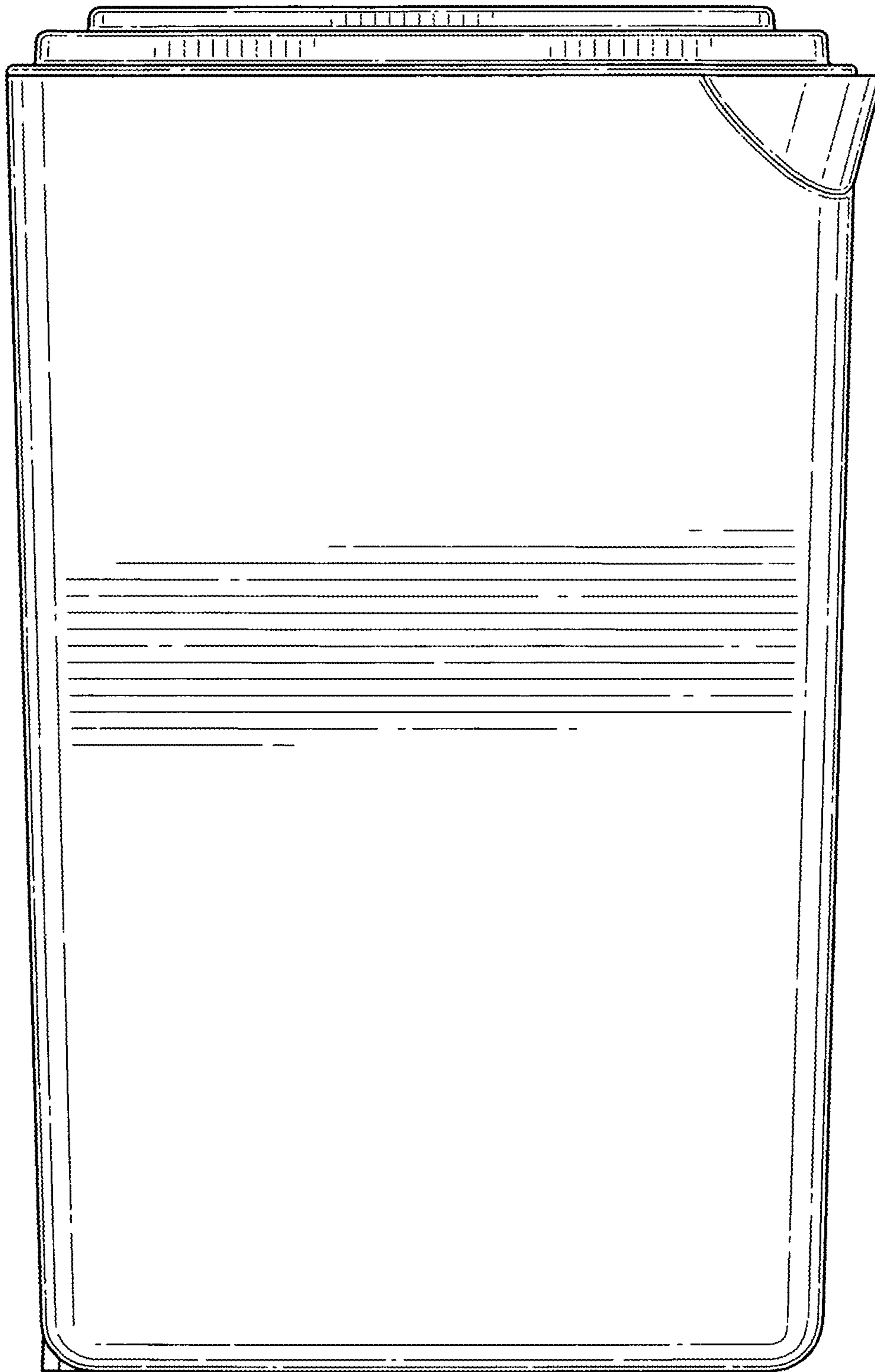


FIG. 2

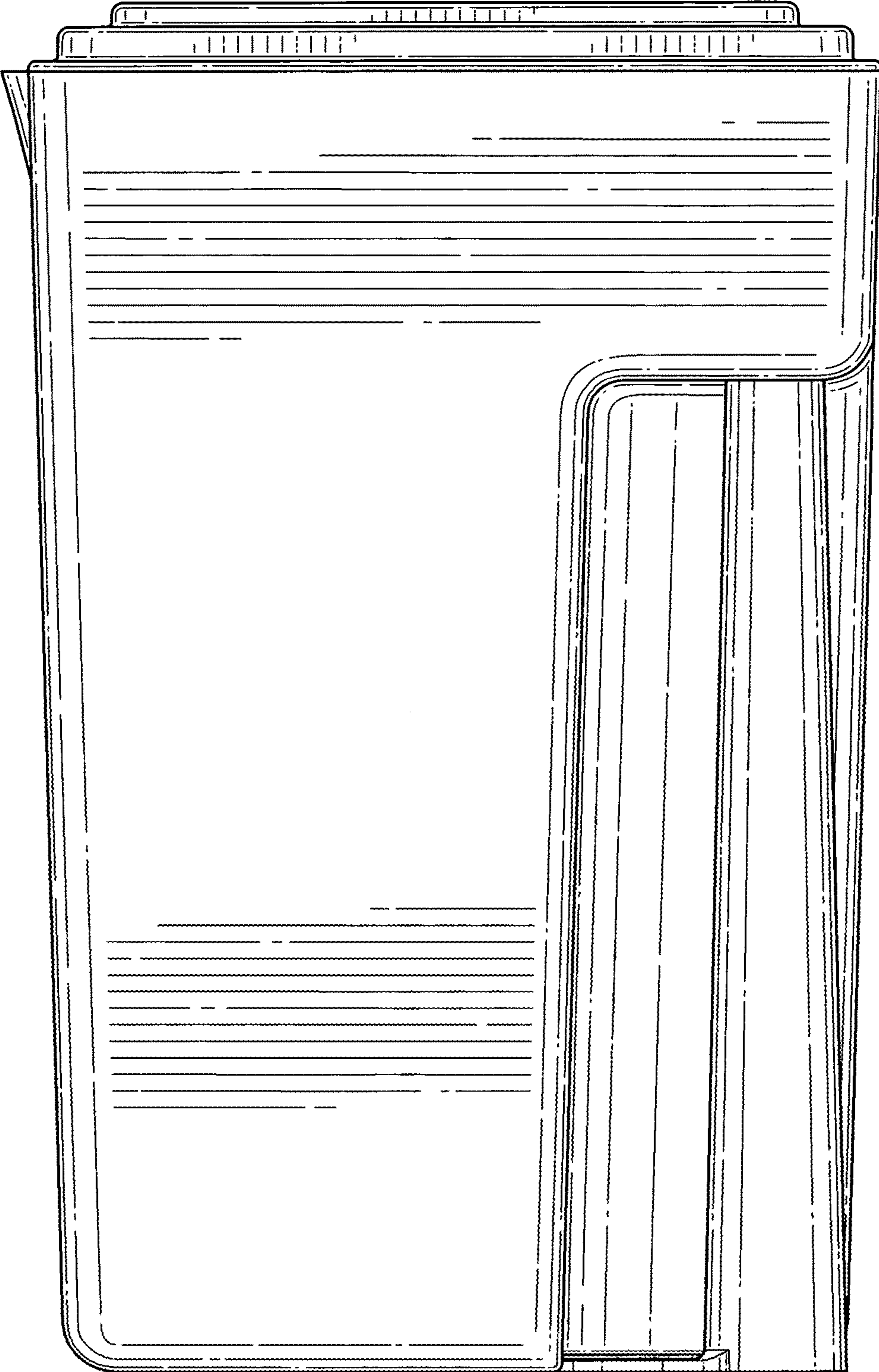


FIG. 3

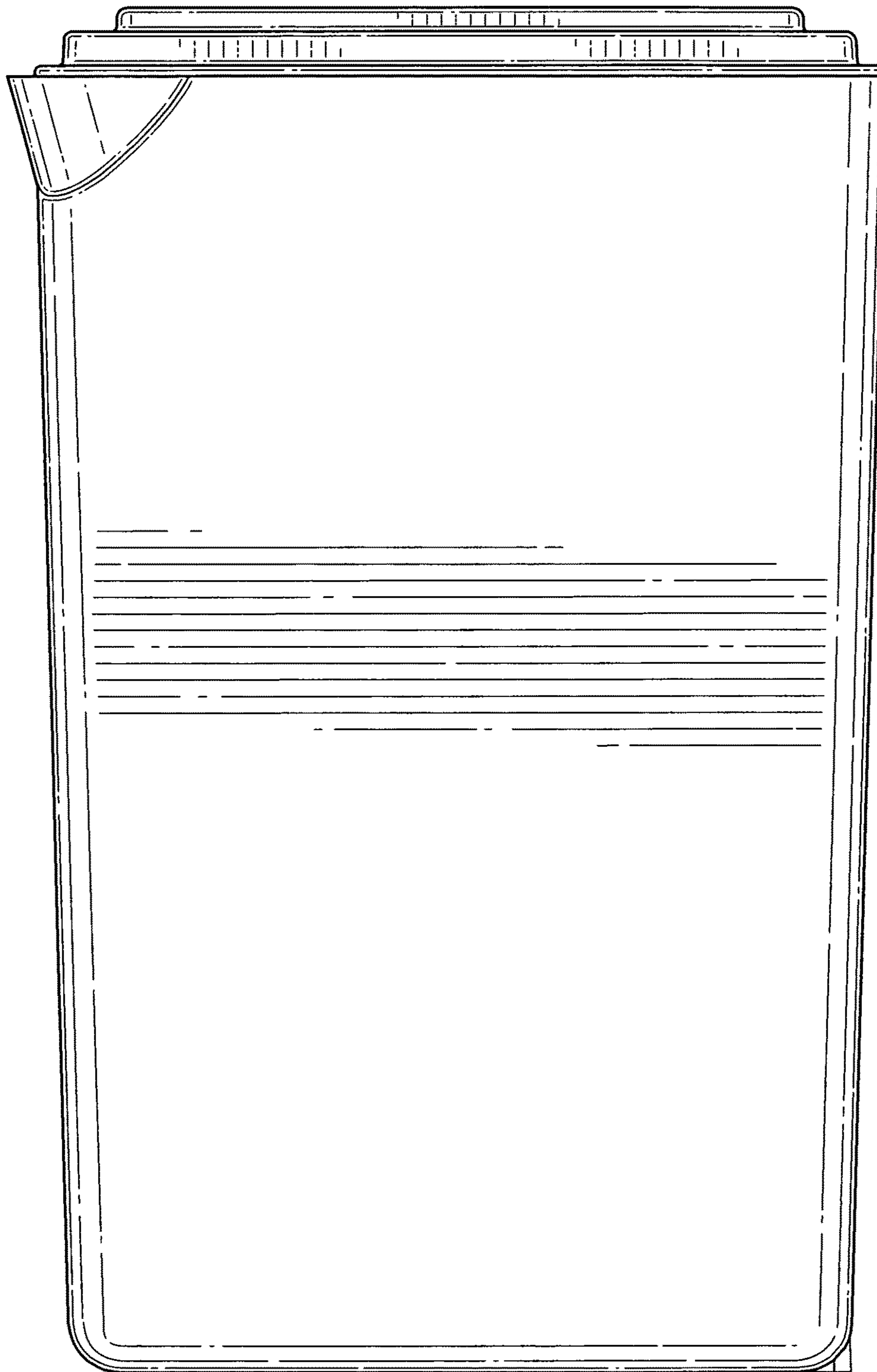


FIG. 4

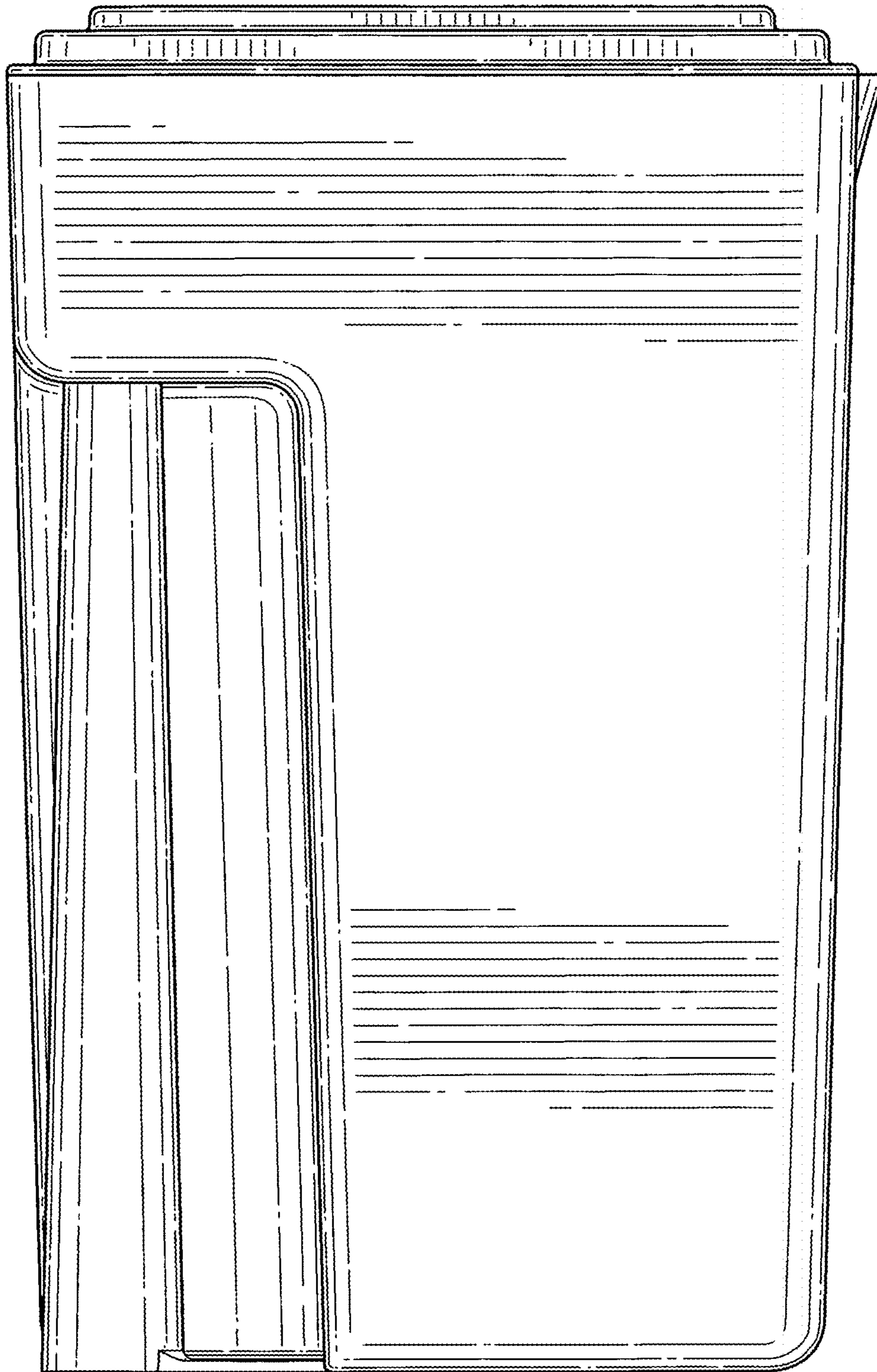


FIG. 5

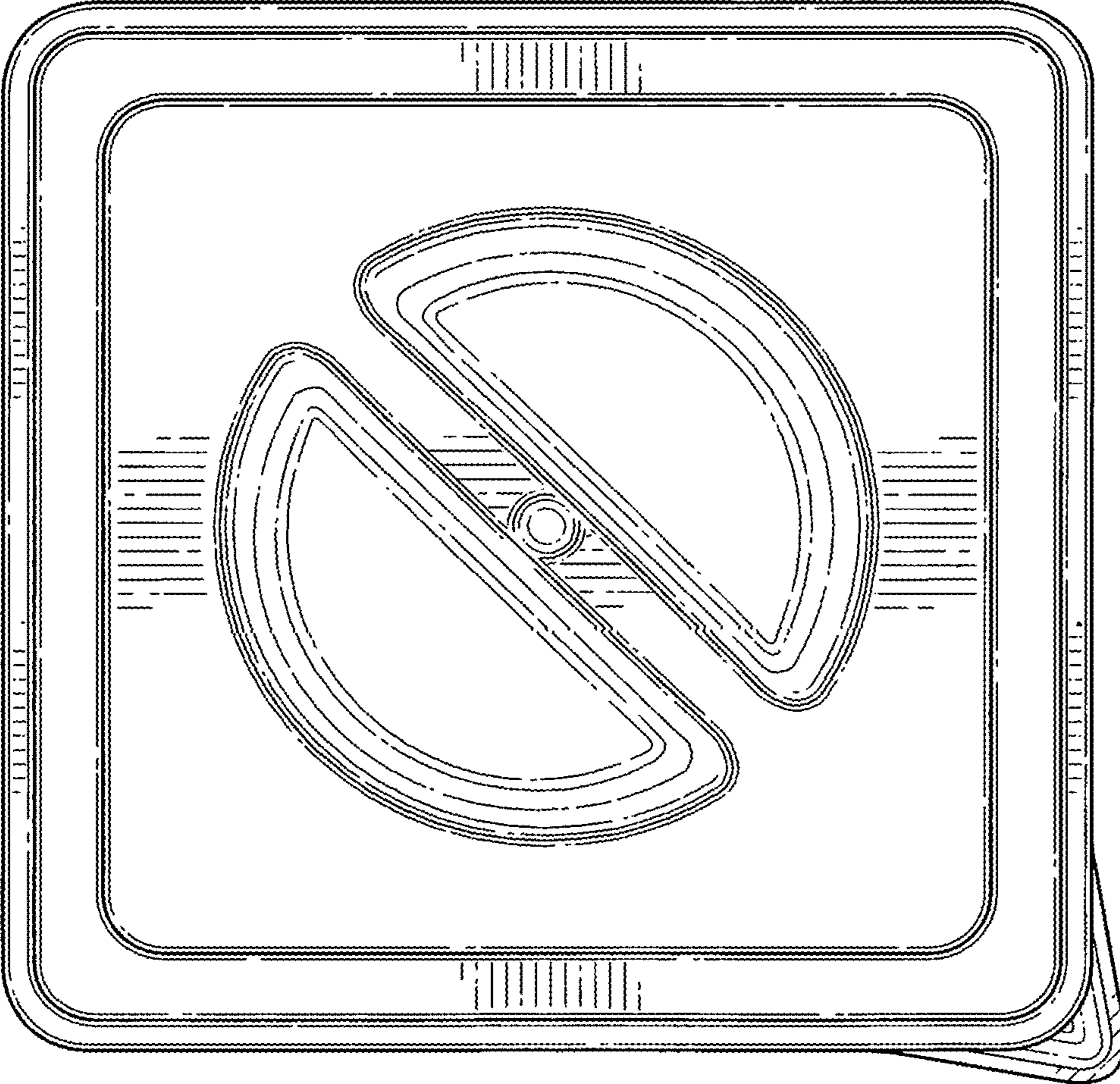


FIG. 6

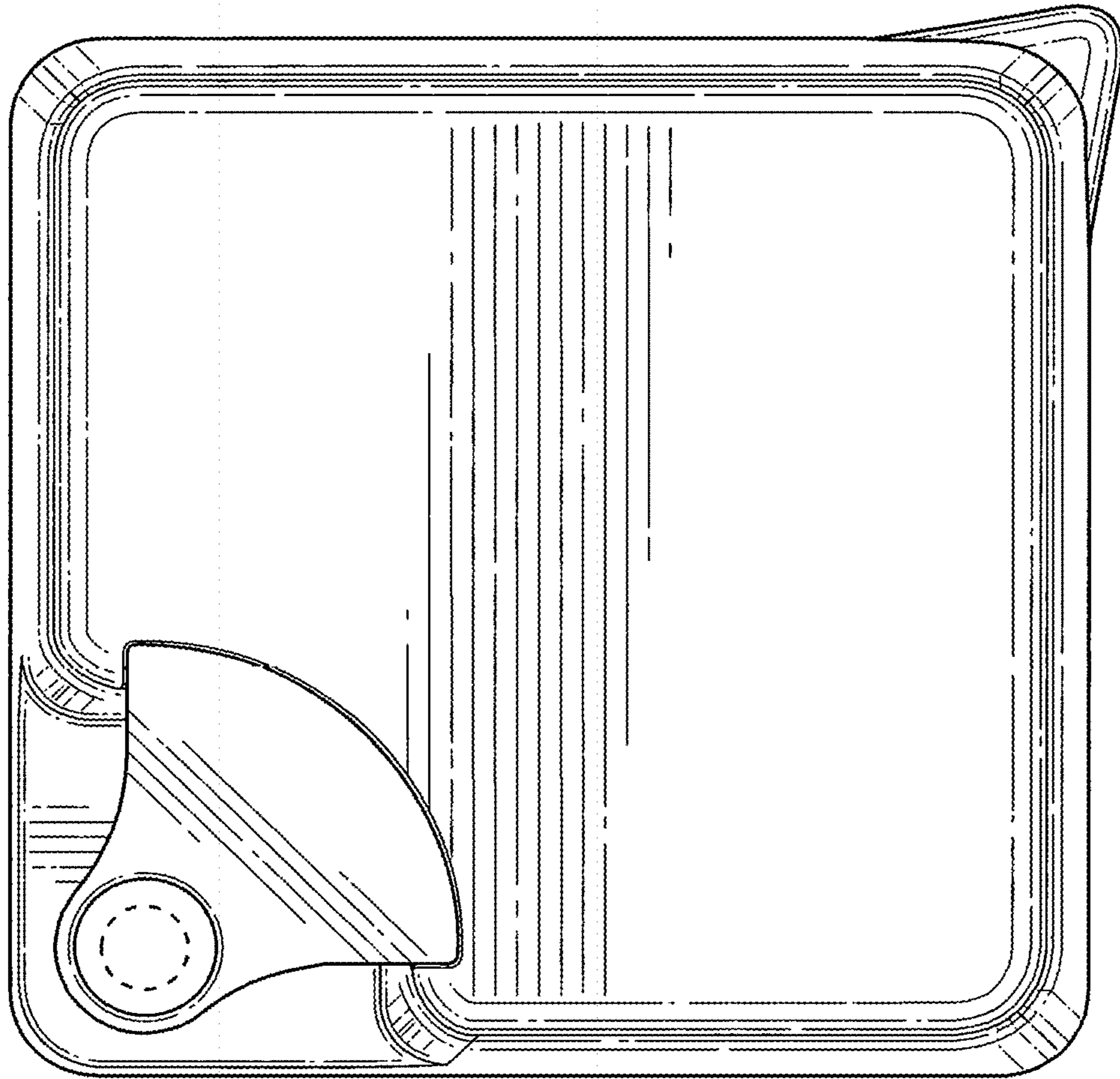


FIG. 7

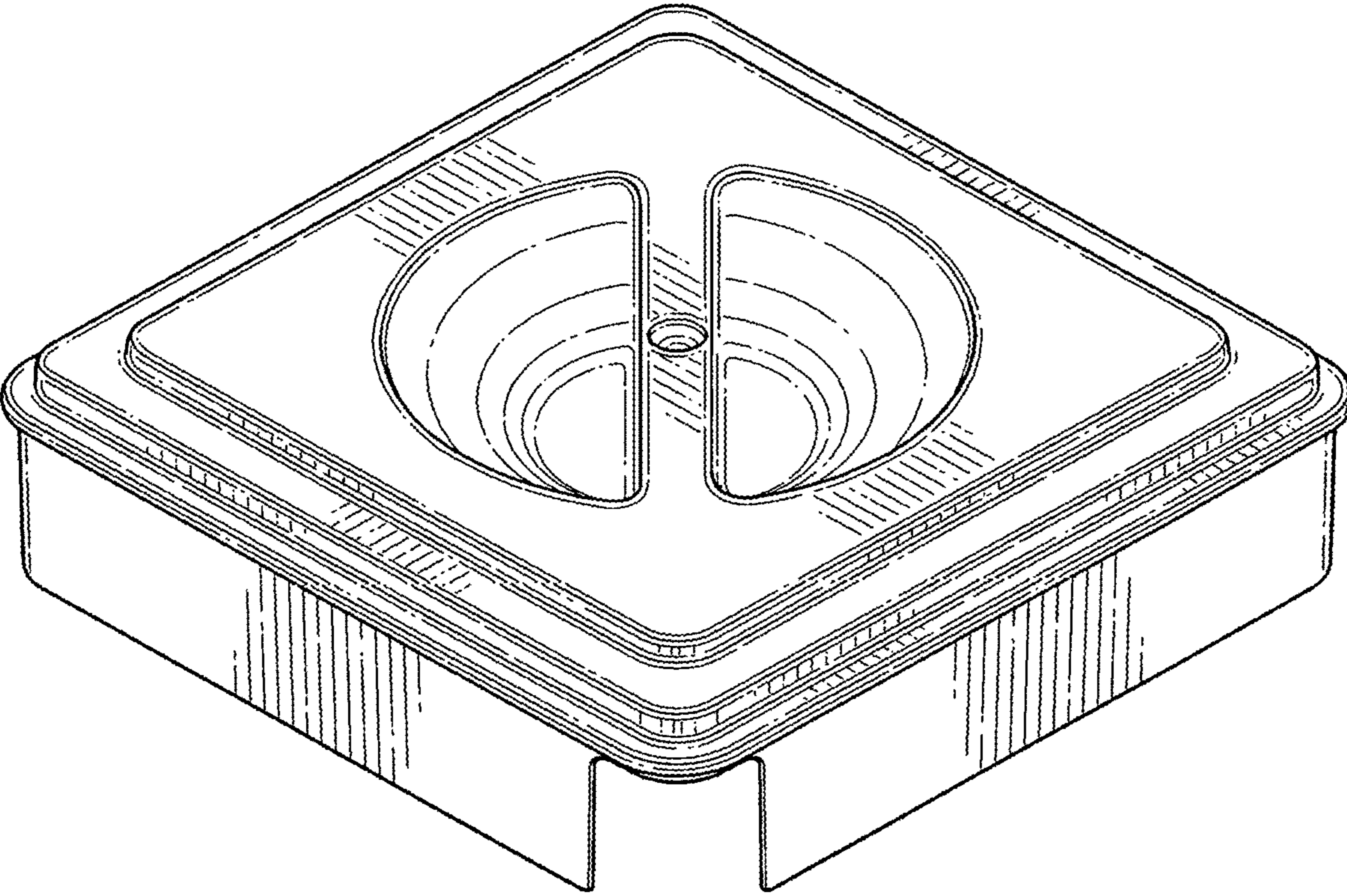


FIG. 8

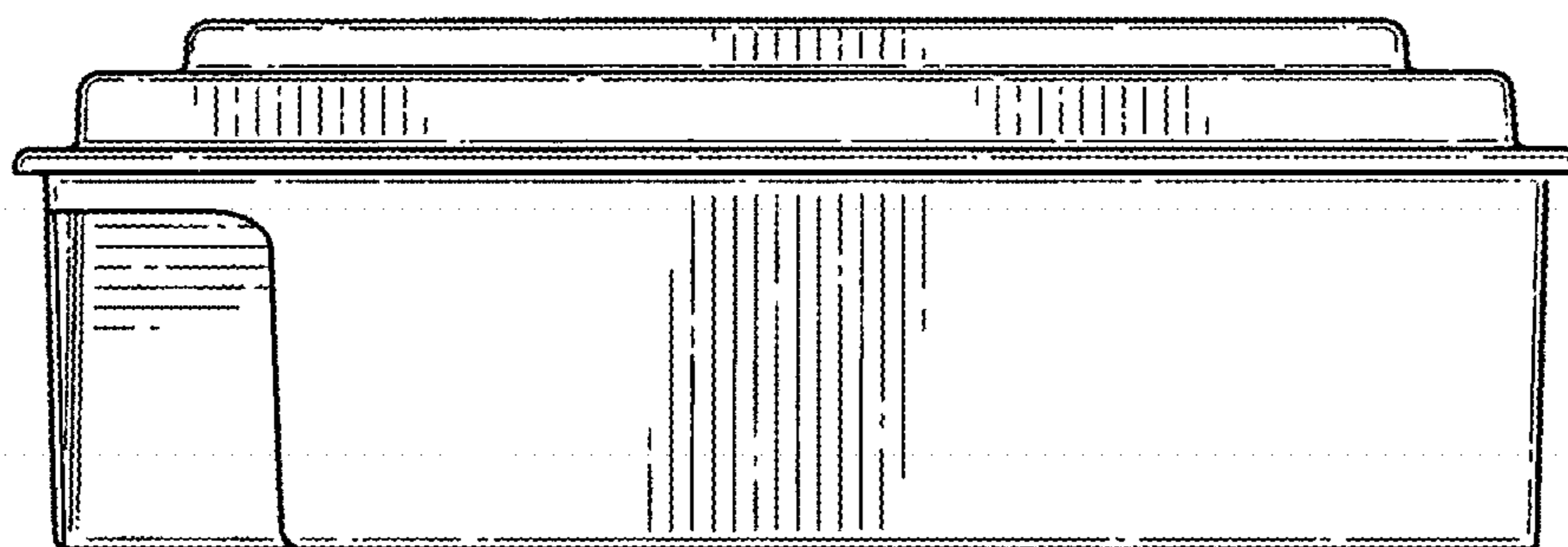


FIG. 9

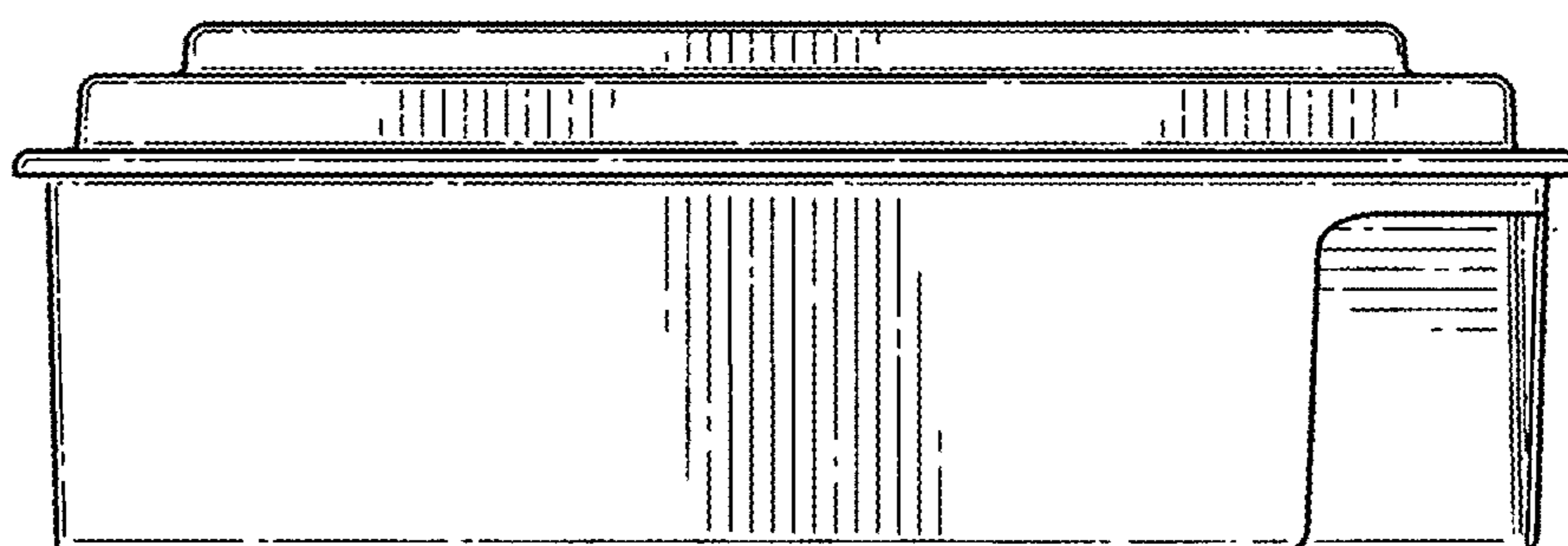


FIG. 10

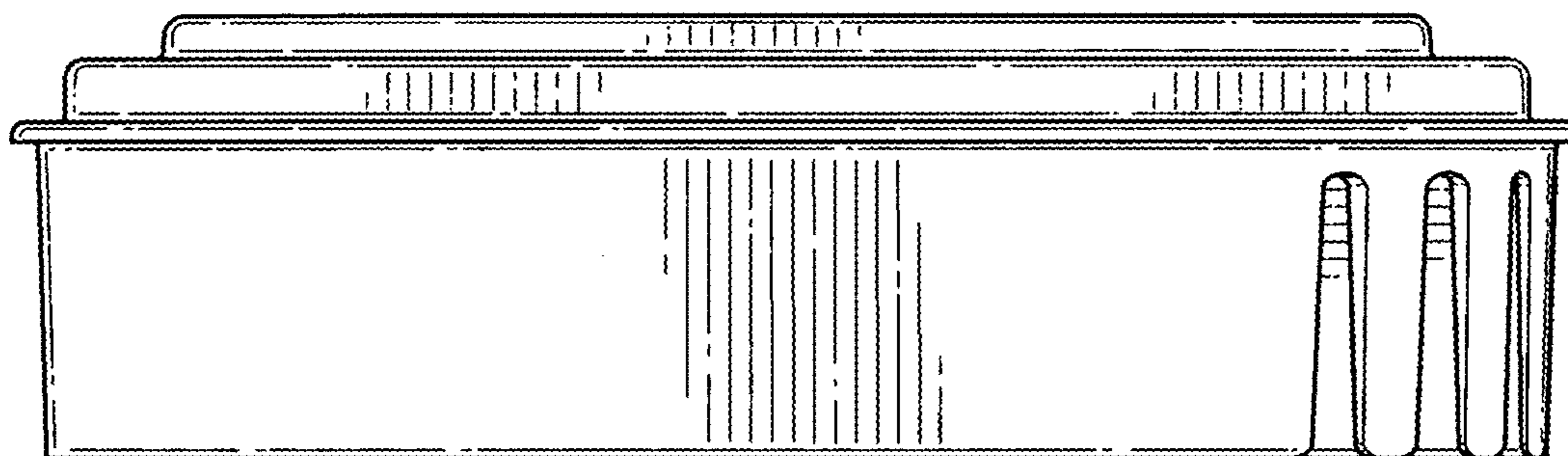


FIG. 11

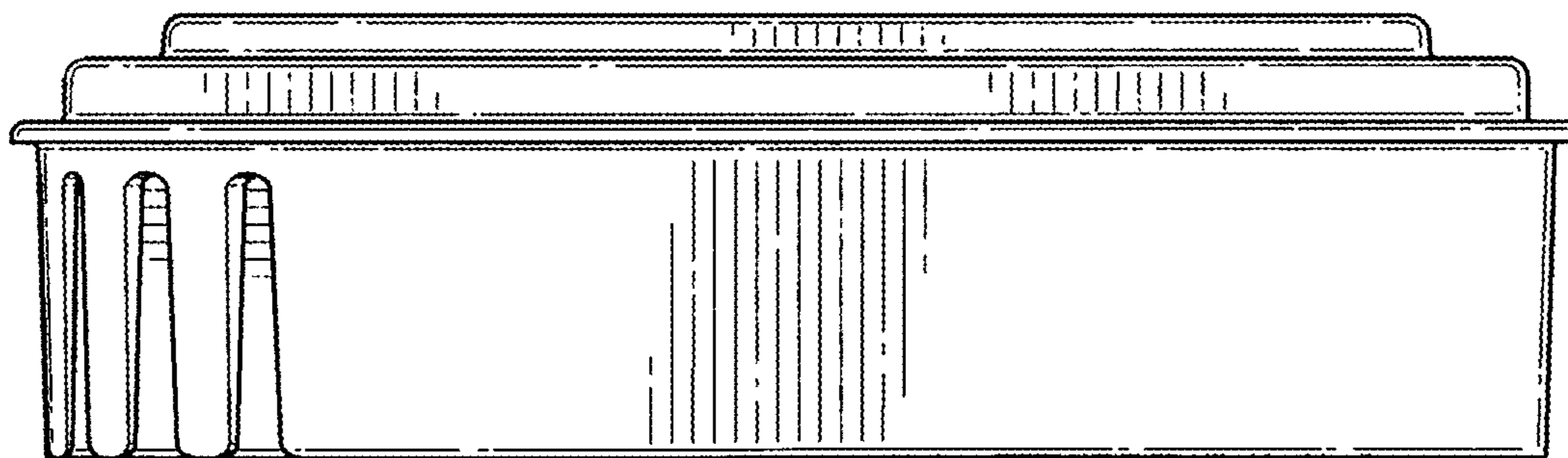


FIG. 12

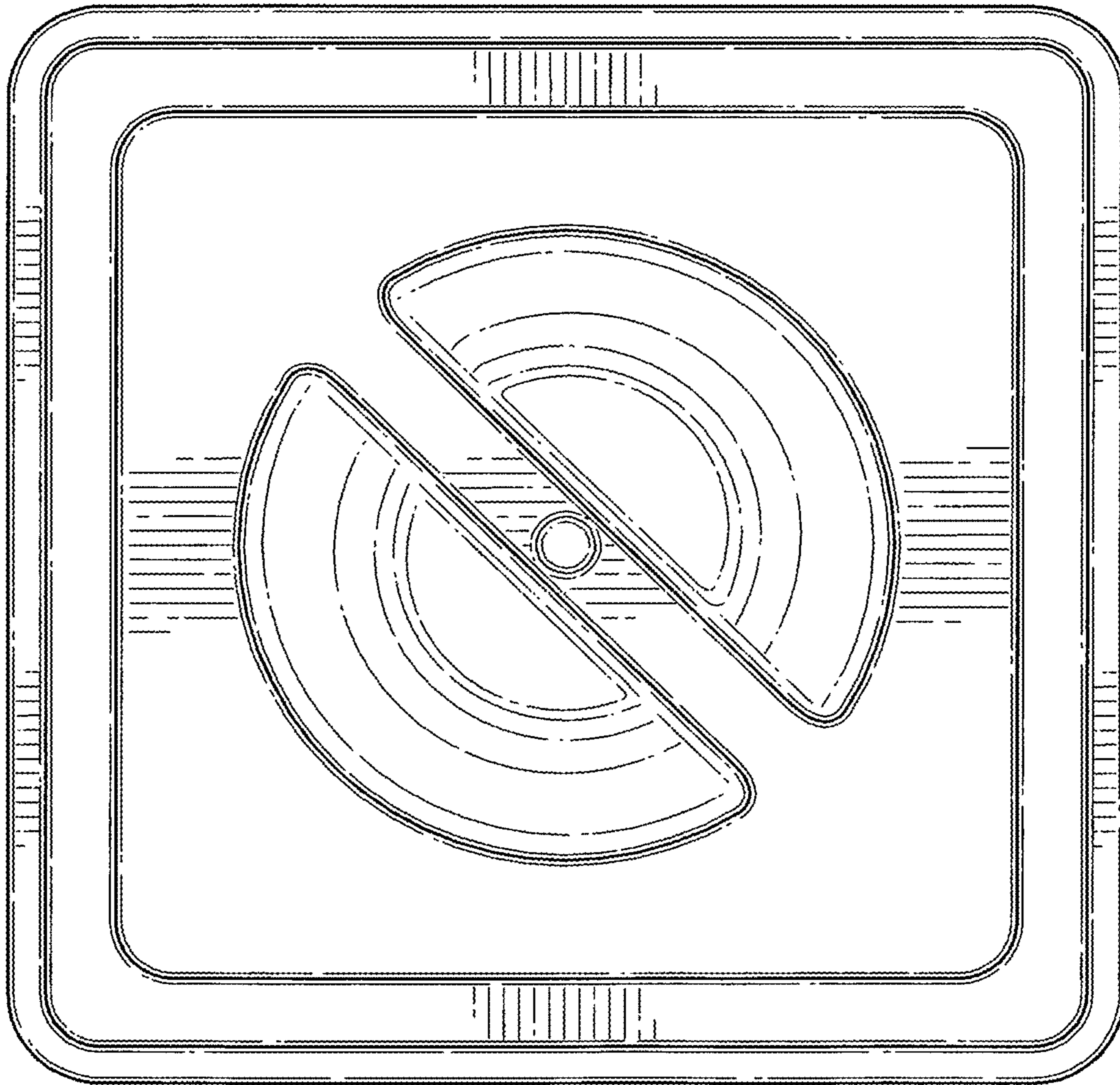


FIG. 13

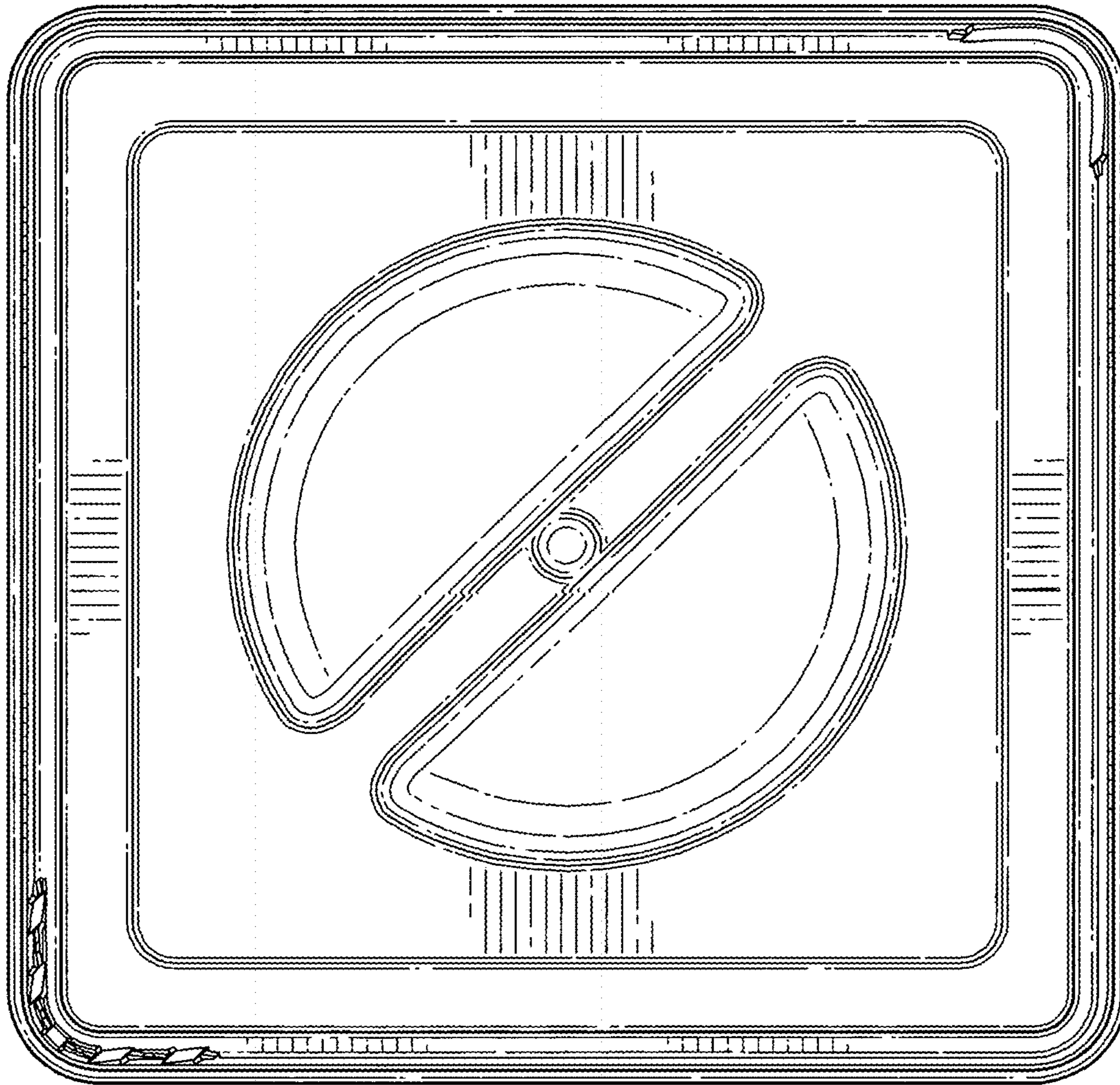


FIG. 14

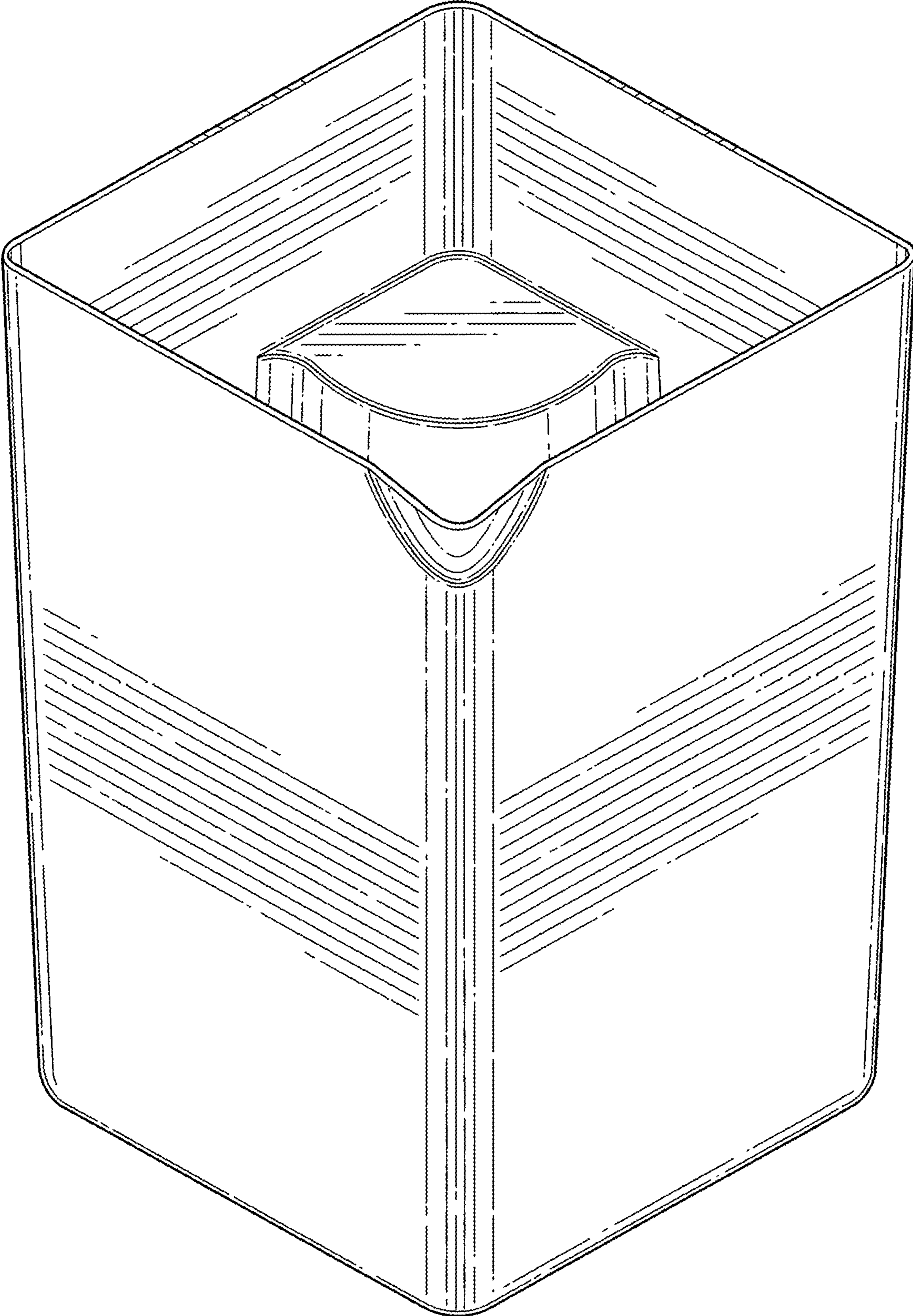


FIG. 15

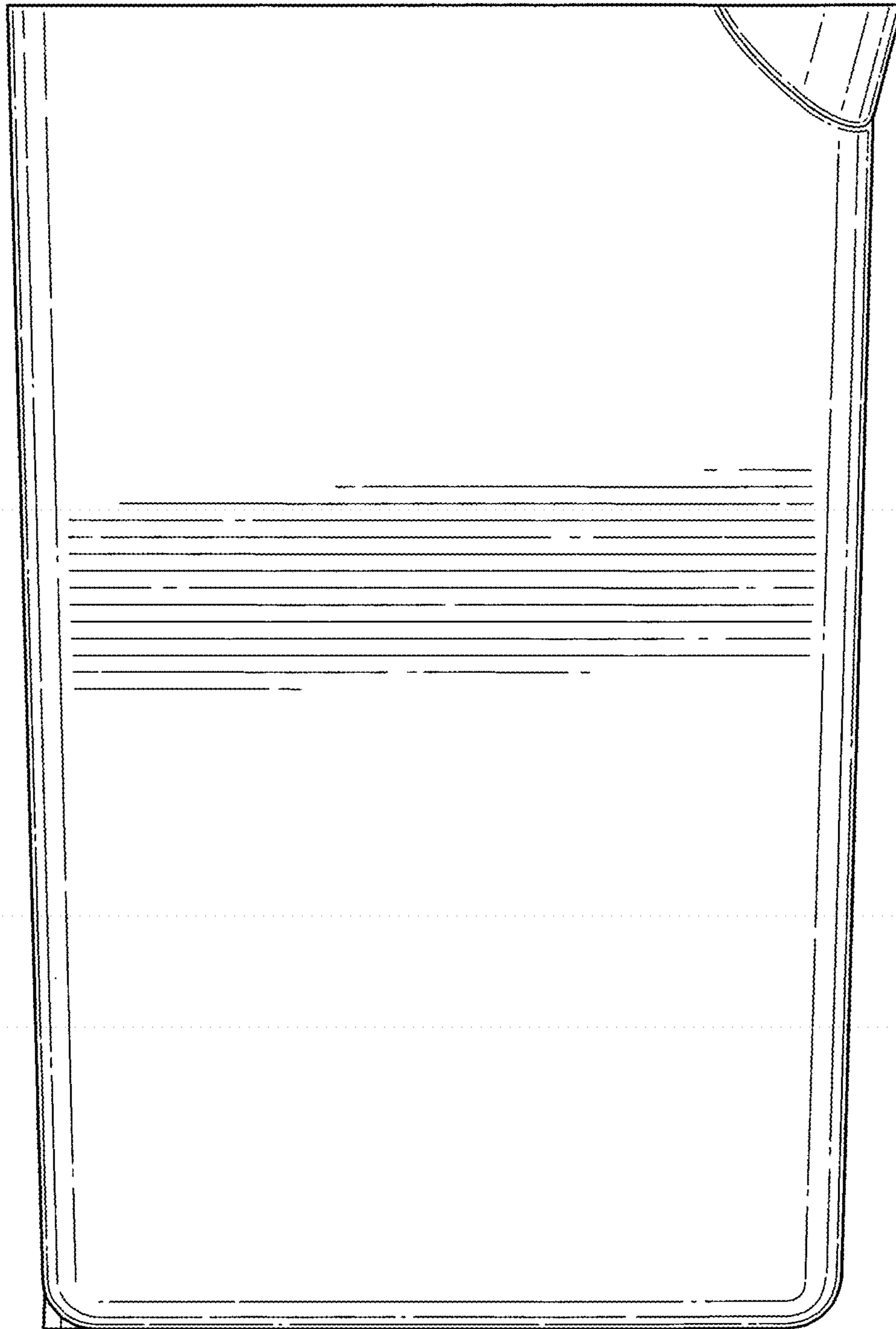


FIG. 16

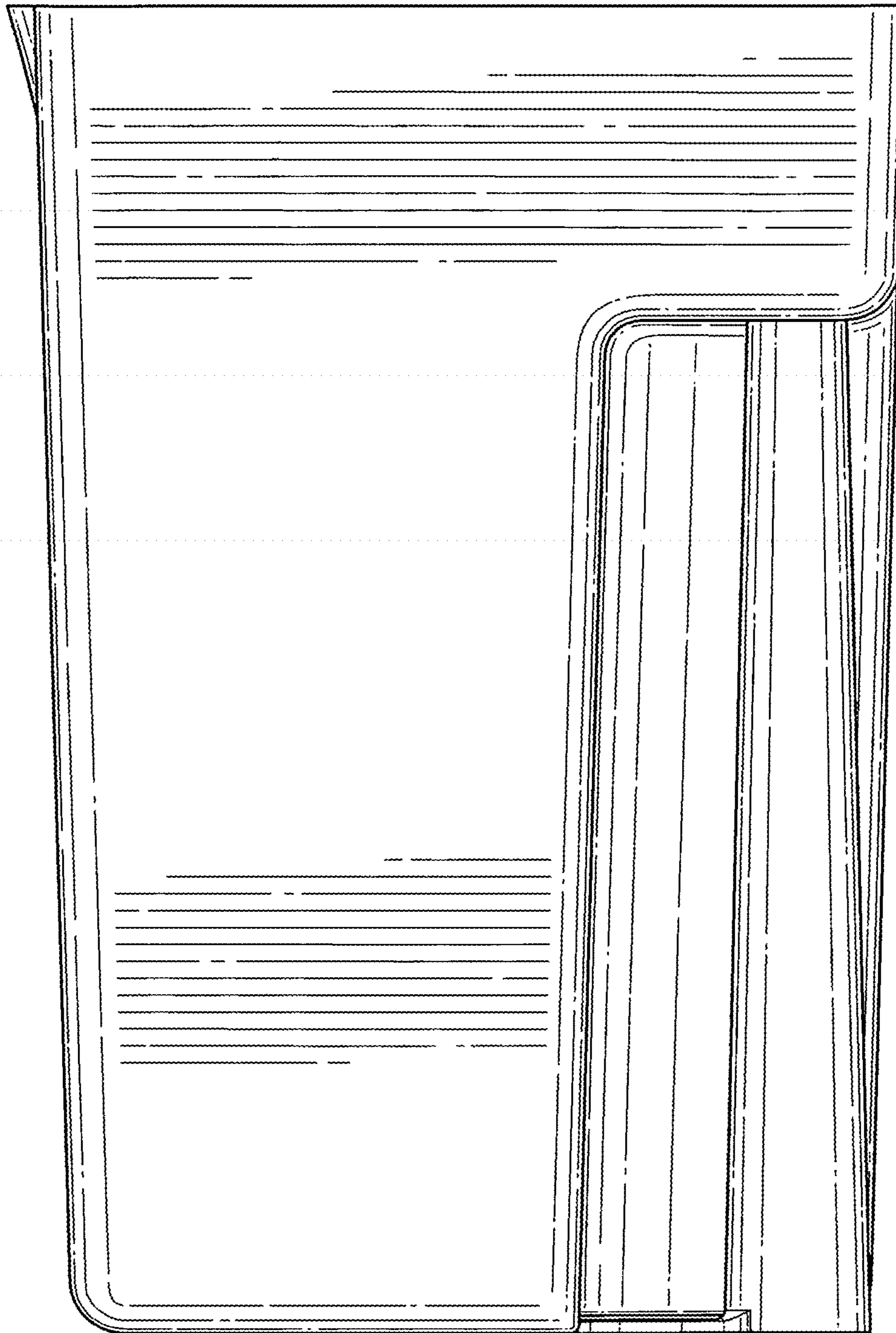


FIG. 17

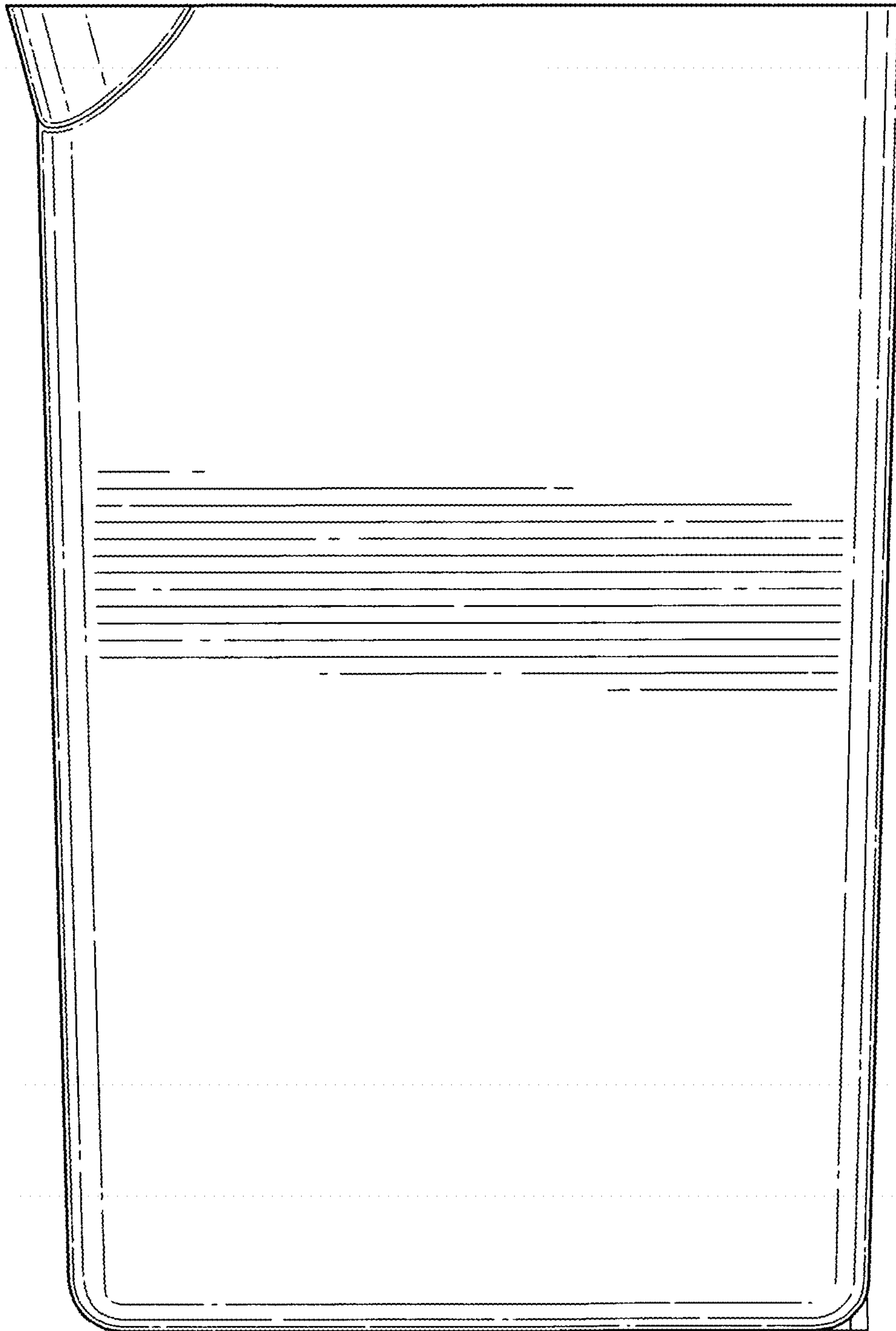


FIG. 18

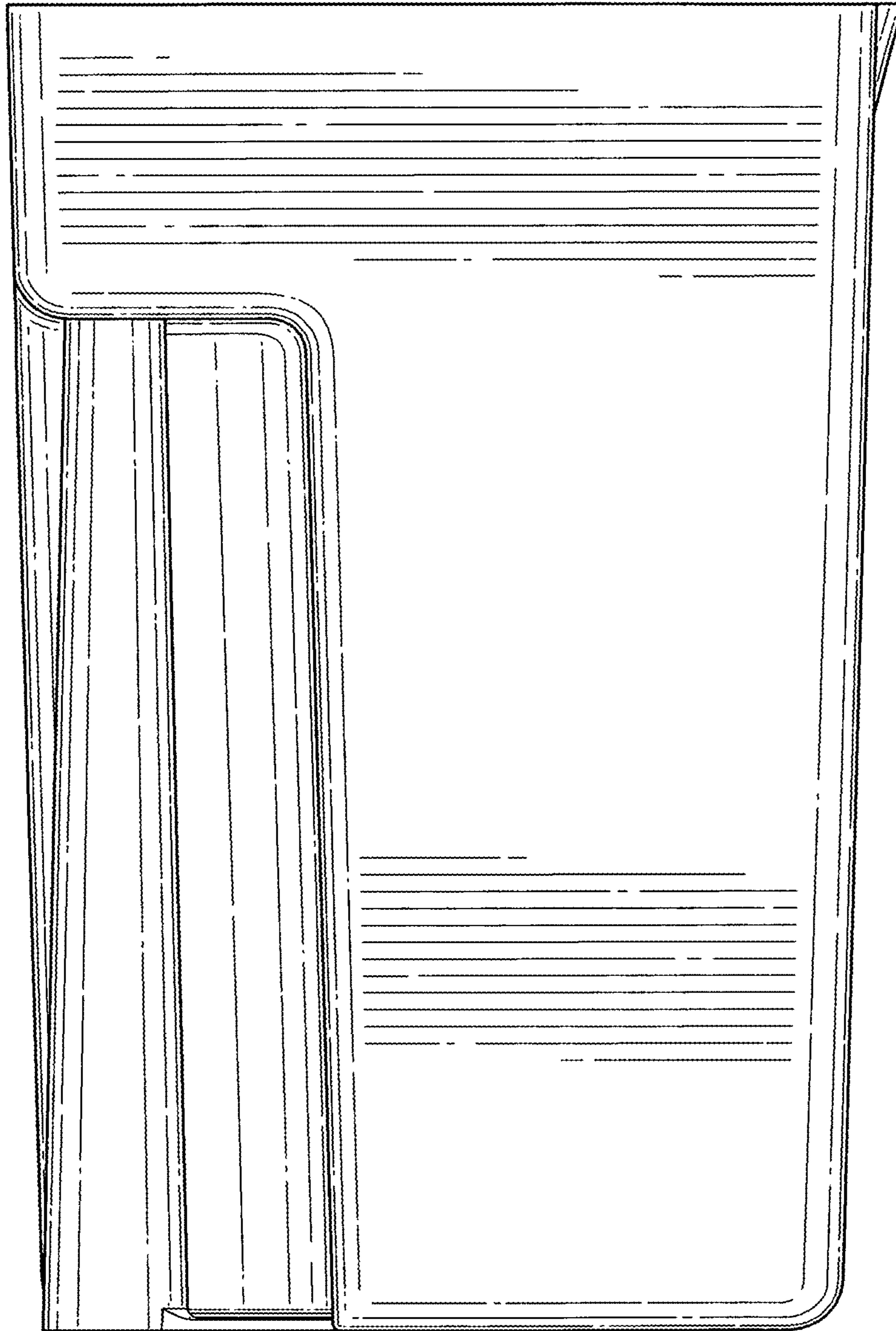


FIG. 19

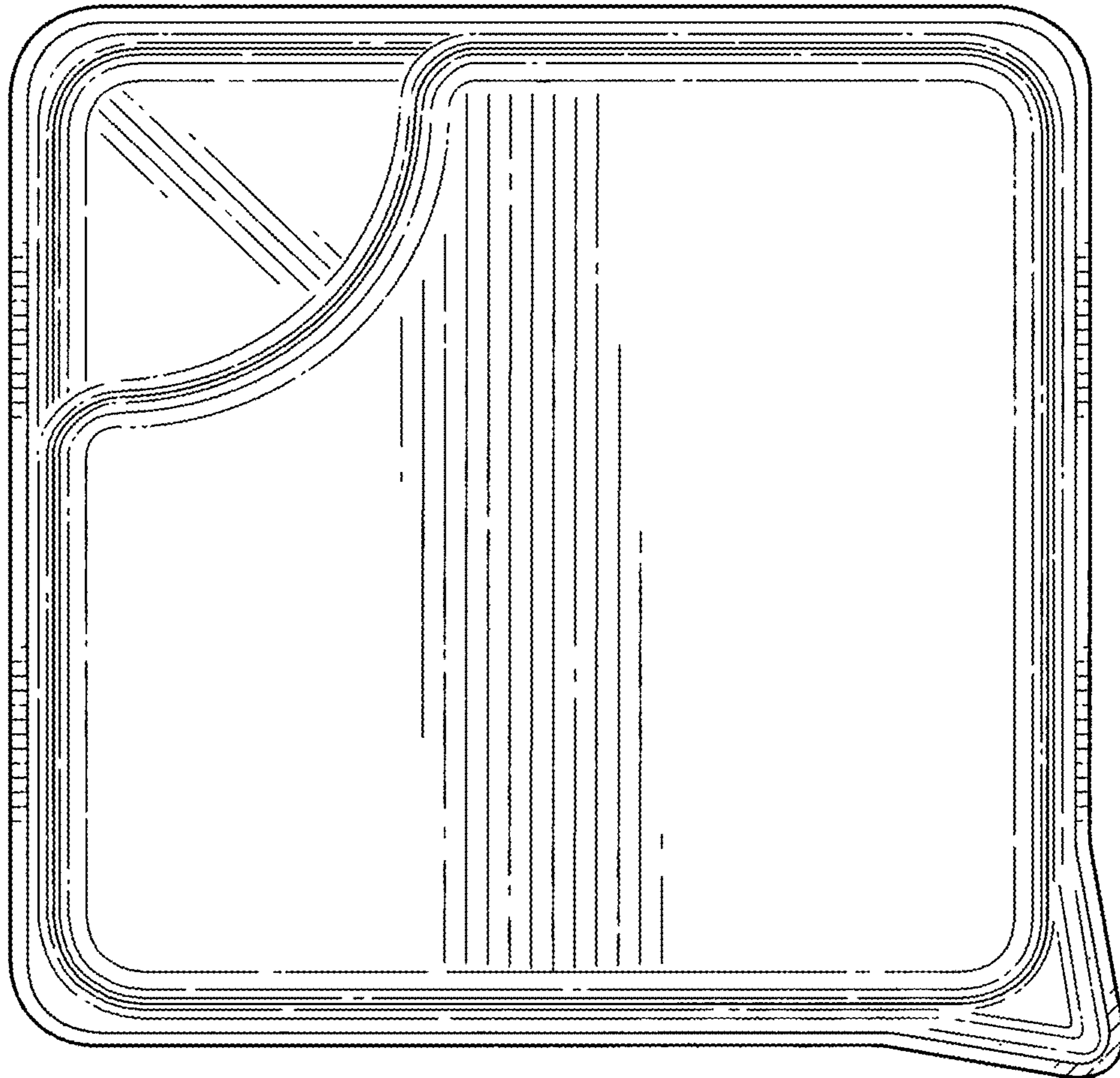


FIG. 20

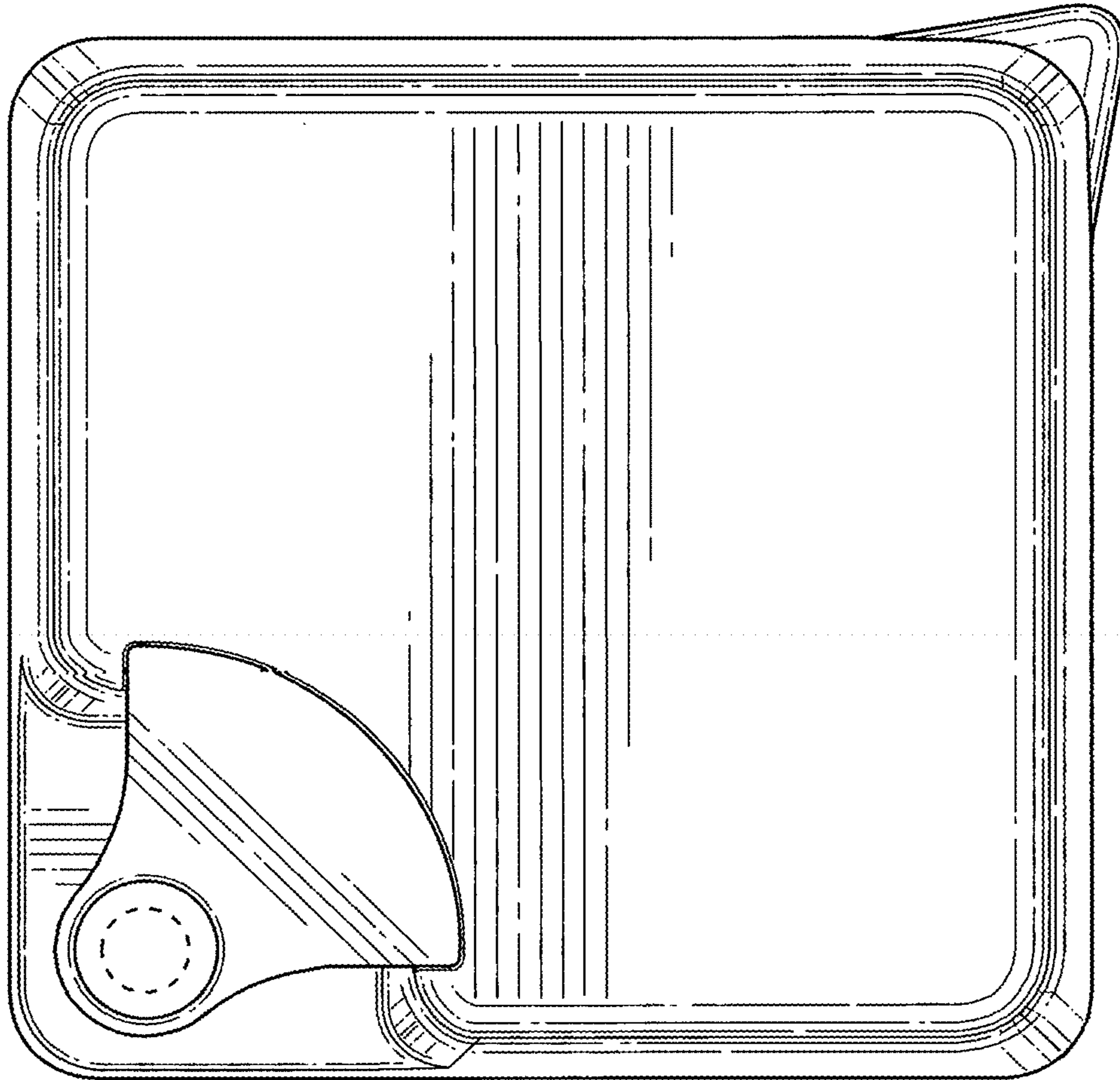


FIG. 21

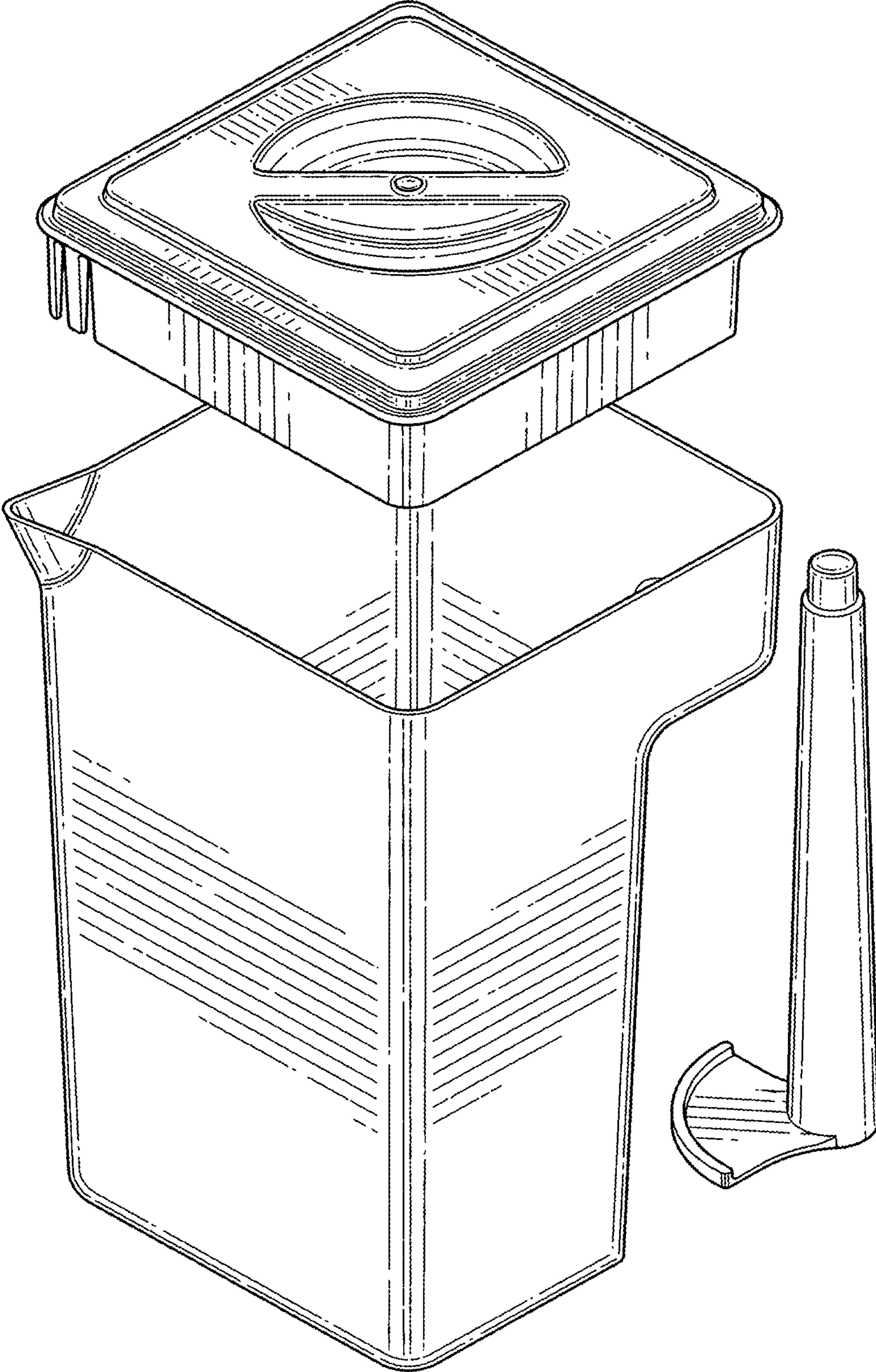


FIG. 22