



US00D881627S

(12) **United States Design Patent** (10) **Patent No.:** **US D881,627 S**
Rittenburg et al. (45) **Date of Patent:** **** Apr. 21, 2020**

(54) **LIQUID DISPENSER**

(71) Applicant: **MIDNIGHT MADNESS DISTILLING, LLC**, Trumbauersville, PA (US)

(72) Inventors: **Angus Rittenburg**, Perkasio, PA (US); **Casey Parzych**, Trumbauersville, PA (US)

(73) Assignee: **MIDNIGHT MADNESS DISTILLING, LLC**, Trumbauersville, PA (US)

(**) Term: **15 Years**

(21) Appl. No.: **29/657,313**

(22) Filed: **Jul. 20, 2018**

(51) **LOC (12) Cl.** **07-01**

(52) **U.S. Cl.**
USPC **D7/313; D6/542**

(58) **Field of Classification Search**
USPC **D7/300, 300.1, 312, 313; D6/524, 542, D6/543**
CPC . **A47K 7/04; B67D 1/001; B65D 1/02; B65D 1/0223; B05B 11/0005; B05B 11/0037**
See application file for complete search history.

D530,954 S * 10/2006 Snell D6/542
D565,336 S * 4/2008 Bickler D6/545
D599,598 S * 9/2009 Ghiorghie D6/542
D619,397 S * 7/2010 Snell D6/542
D661,530 S * 6/2012 Pendleton D6/542
D702,455 S * 4/2014 Garland D6/542
D713,167 S * 9/2014 Snell D6/542
D736,088 S * 8/2015 Siu D6/542
D780,593 S * 3/2017 Teller D9/682
D803,068 S * 11/2017 Ziemann D9/691
D815,854 S * 4/2018 Weir D6/542
D831,376 S * 10/2018 Ziemann D6/542

* cited by examiner

Primary Examiner — Derrick E Holland

Assistant Examiner — Andrew Kerr

(74) *Attorney, Agent, or Firm* — McNeese Wallace & Nurick LLC

(57) **CLAIM**

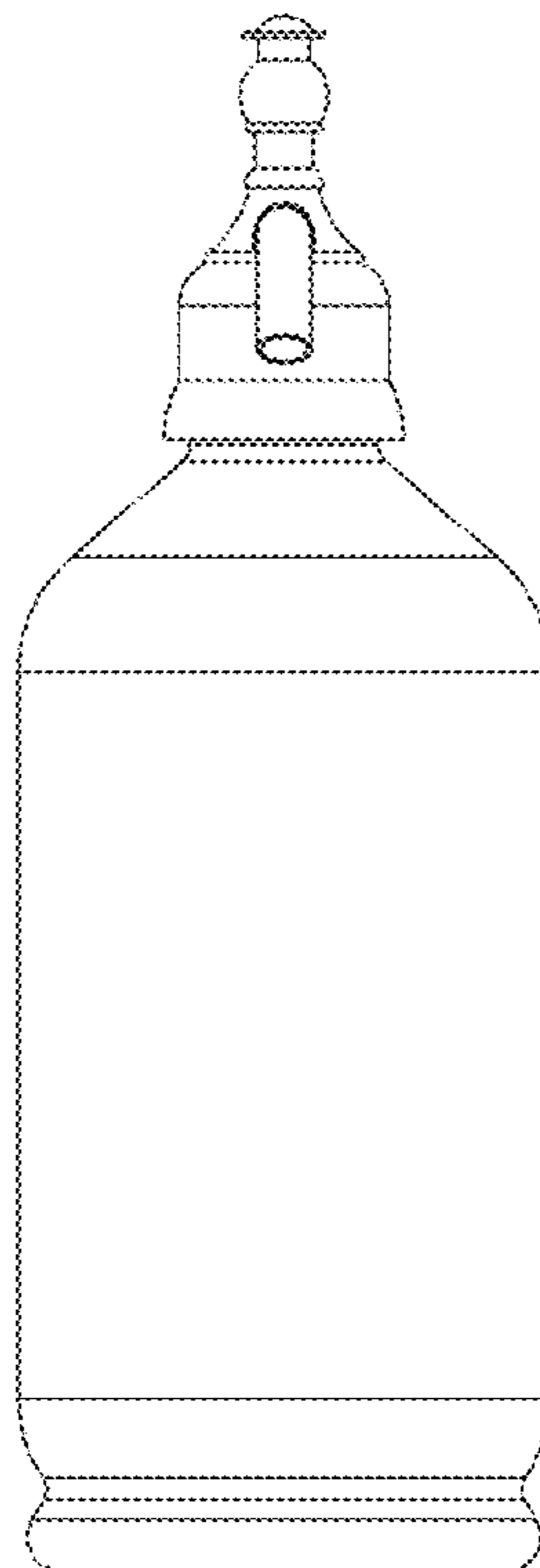
The ornamental design for a liquid dispenser, as shown and described.

DESCRIPTION

FIG. 1 is a front view of a liquid dispenser, showing the design;
FIG. 2 is a rear view thereof;
FIG. 3 is a left side view thereof;
FIG. 4 is a right side view thereof;
FIG. 5 is a top view thereof; and,
FIG. 6 is a bottom view thereof.
The broken lines in the drawings depict portions of the liquid dispenser that form no part of the claim.

1 Claim, 6 Drawing Sheets

(56) **References Cited**
U.S. PATENT DOCUMENTS
4,315,582 A * 2/1982 Micallef B05B 11/3001
222/148
D450,506 S * 11/2001 Hoernig D6/545



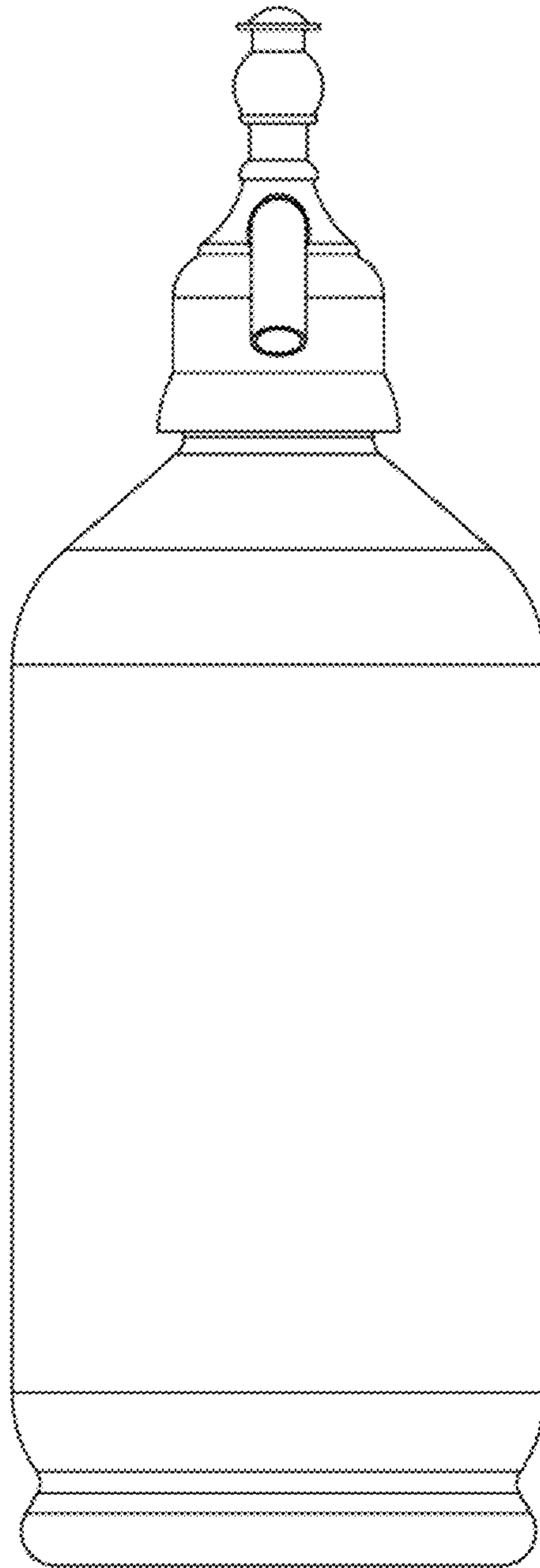


FIG. 1

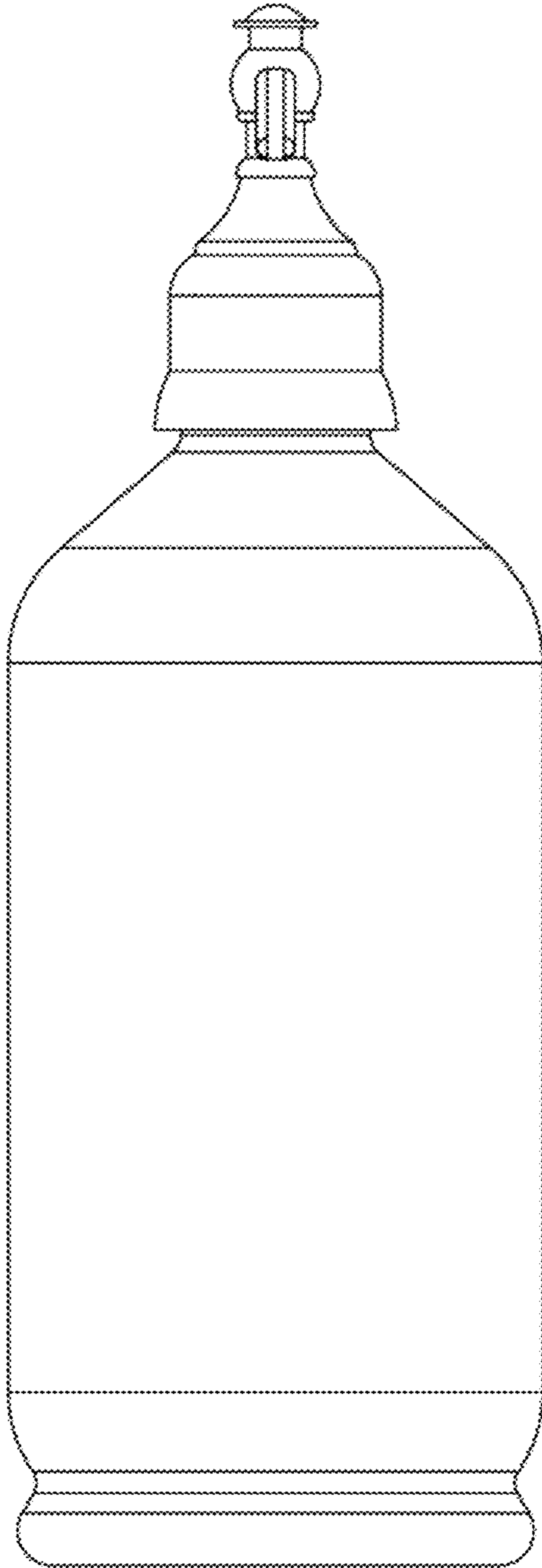


FIG. 2

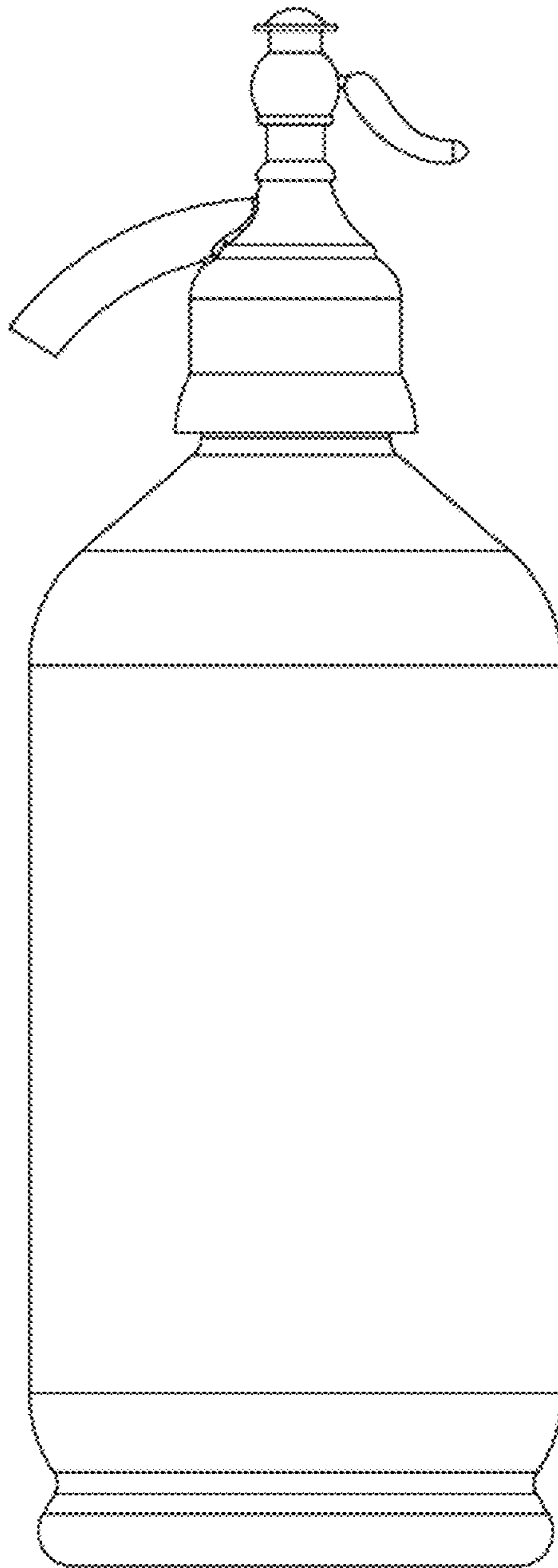


FIG. 3

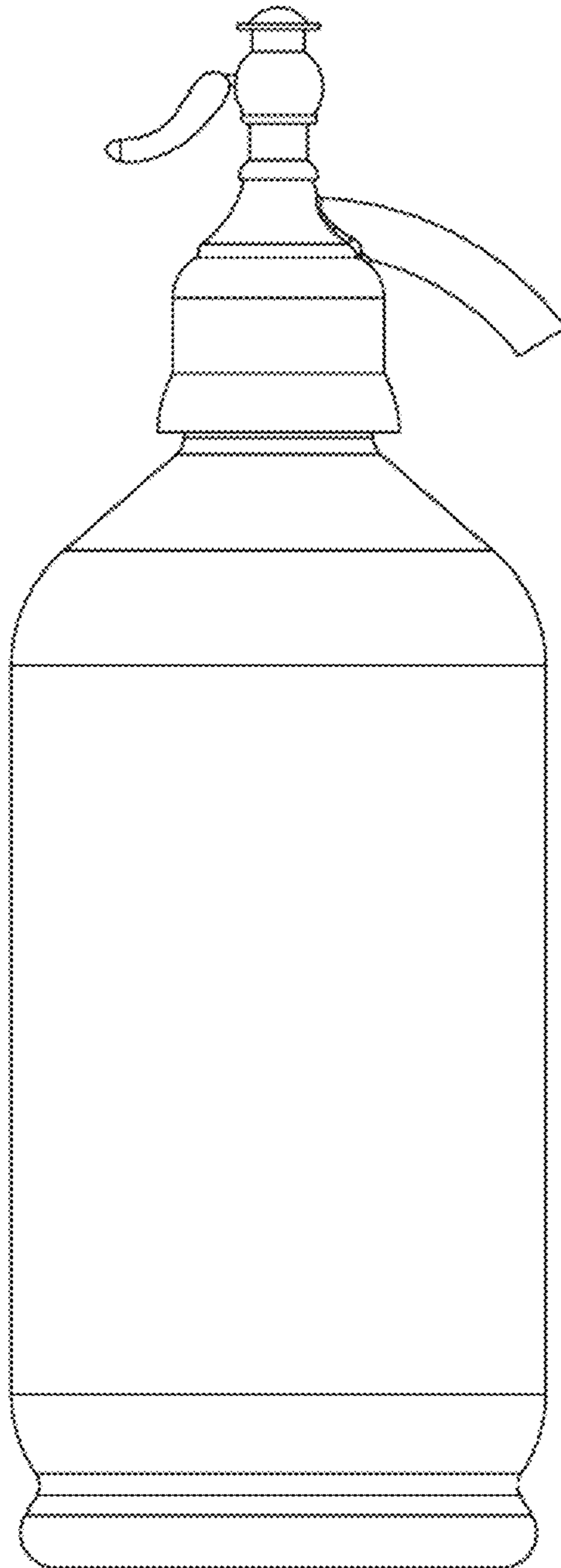


FIG. 4

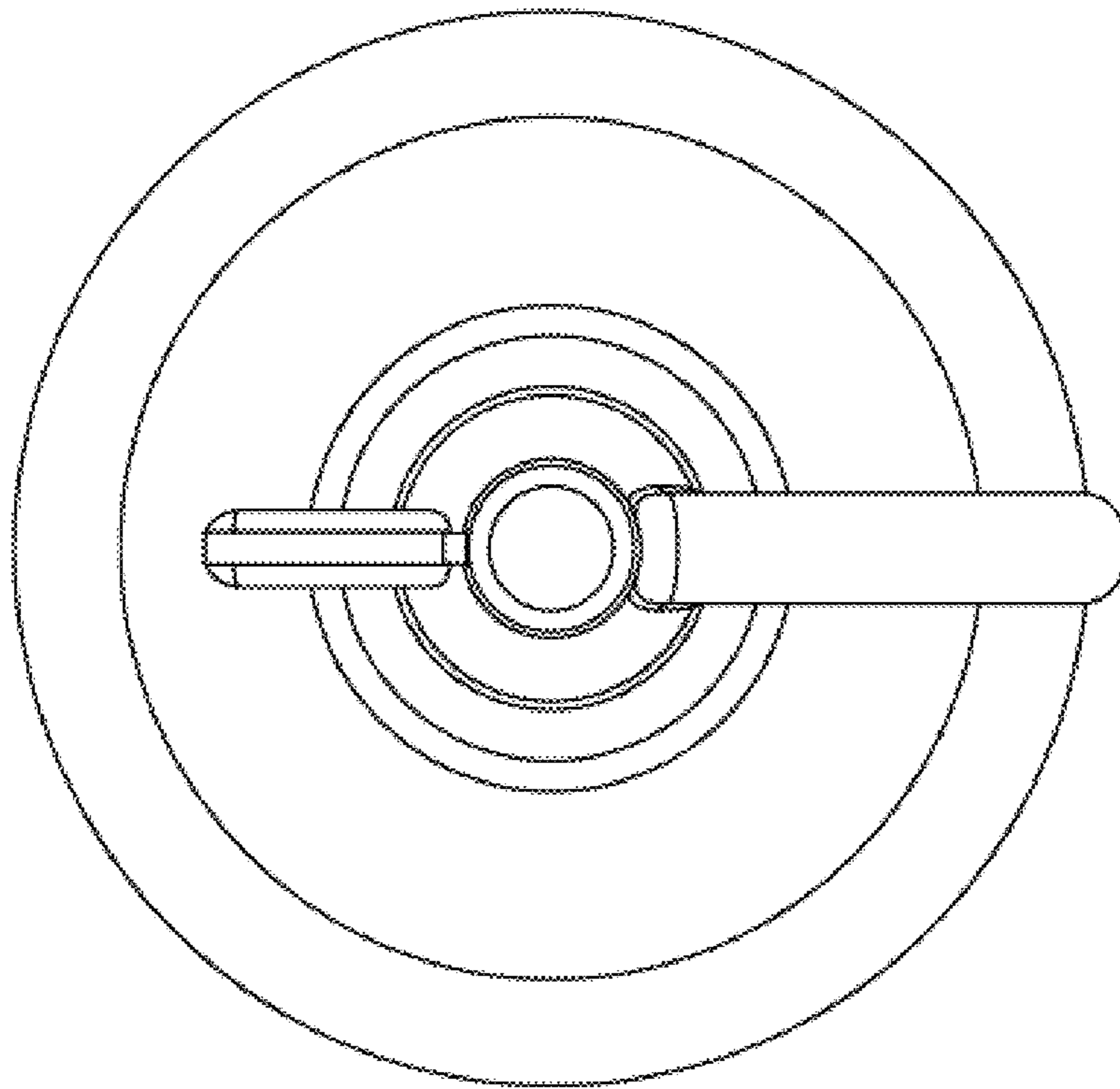


FIG. 5

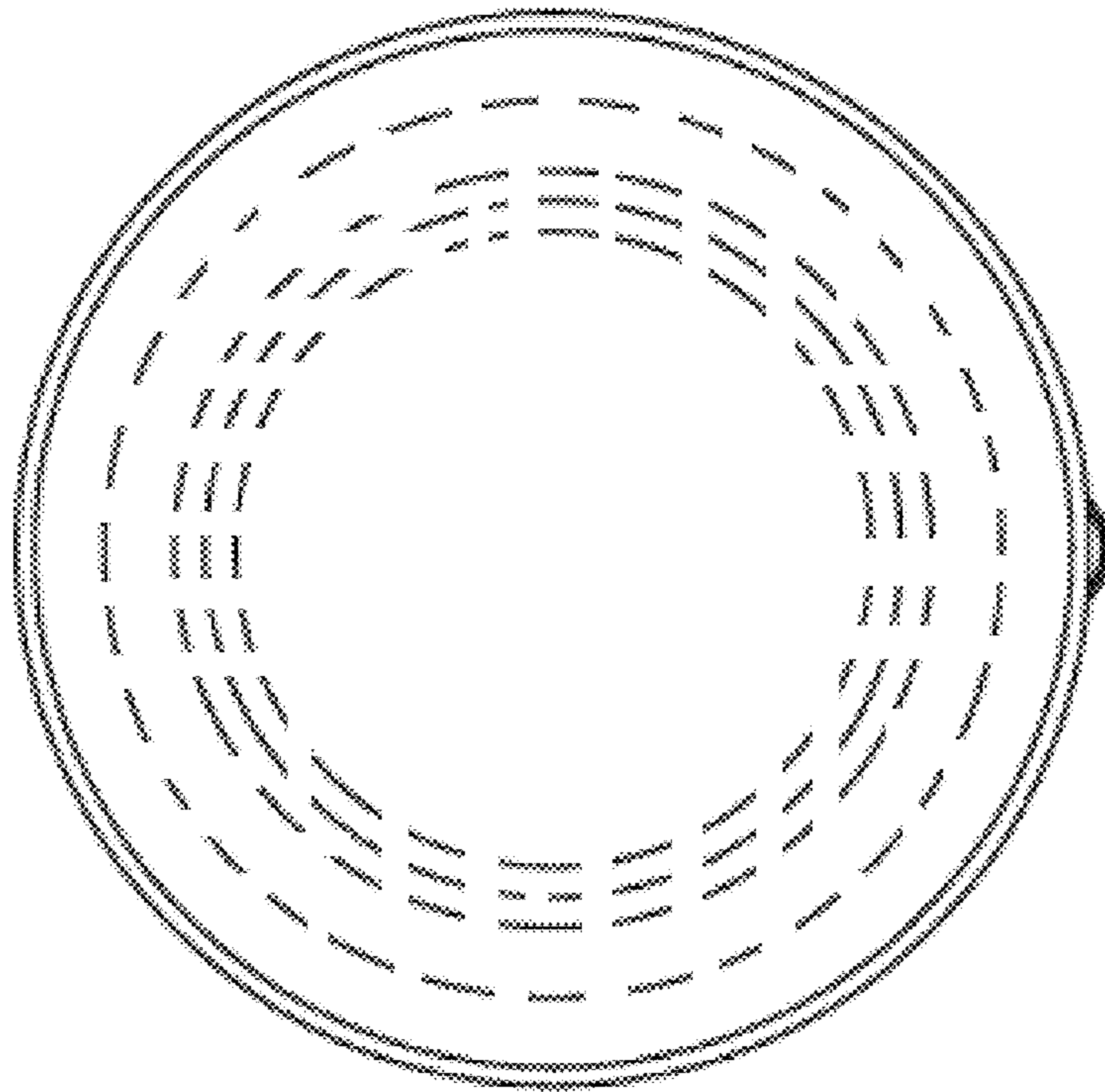


FIG. 6