



US00D881626S

(12) **United States Design Patent**  
**Borrelli**

(10) **Patent No.:** **US D881,626 S**

(45) **Date of Patent:** **\*\* Apr. 21, 2020**

(54) **COFFEE MAKER**

(71) Applicant: **ESSSE CAFFE' S.p.A.**, Anzola dell'Emilia (IT)

(72) Inventor: **Massimo Borrelli**, Moncalieri (IT)

(73) Assignee: **ESSE CAFFE' S.P.A.**, Anzola dell'Emilia (IT)

(\*\*) Term: **15 Years**

(21) Appl. No.: **29/641,149**

(22) Filed: **Mar. 20, 2018**

(30) **Foreign Application Priority Data**

Sep. 21, 2017 (EM) ..... 004366680

(51) **LOC (12) Cl.** ..... **07-01**

(52) **U.S. Cl.**  
USPC ..... **D7/309; D7/311**

(58) **Field of Classification Search**  
USPC ..... D7/300, 309-311, 306-308, 305, 397, D7/355, 362, 365, 367, 399; 222/146.6, 222/185.1, 135; 99/295, 273, 304, 288, 99/279, 307, 283  
CPC ..... A47J 31/46; A47J 31/407; A47J 31/50; A47J 31/18; A47J 31/00; A47J 27/04; A47J 31/4489; A47J 31/4485  
See application file for complete search history.

(56) **References Cited**

**U.S. PATENT DOCUMENTS**

D595,992 S \* 7/2009 Clark ..... D7/309  
D646,108 S \* 10/2011 Zoppellari ..... D7/306

D666,051 S \* 8/2012 de Pra ..... D7/309  
D695,054 S \* 12/2013 De Pra ..... D7/309  
D735,518 S \* 8/2015 De'Longhi ..... D7/309  
D755,000 S \* 5/2016 Lovati ..... D7/306  
D779,257 S \* 2/2017 Hale ..... D7/306  
D781,633 S \* 3/2017 Cahen ..... D7/306  
D786,602 S \* 5/2017 Palermo ..... D7/306  
D817,061 S \* 5/2018 Lissoni ..... D7/309  
D828,067 S \* 9/2018 De'Longhi ..... D7/309  
D831,398 S \* 10/2018 Cahen ..... D7/306  
10,178,926 B2 \* 1/2019 Beaudet ..... A47J 31/4485  
D840,733 S \* 2/2019 Hale ..... D7/306  
10,362,895 B2 \* 7/2019 Beaudet ..... A47J 31/4485  
D862,143 S \* 10/2019 Stefanoni ..... D7/309  
D862,144 S \* 10/2019 Merelli ..... D7/309  
2018/0263409 A1 \* 9/2018 Jarisch ..... A47J 31/4485

\* cited by examiner

*Primary Examiner* — Marianne N Pandozzi

(74) *Attorney, Agent, or Firm* — Gottlieb, Rackman & Reisman, P.C.

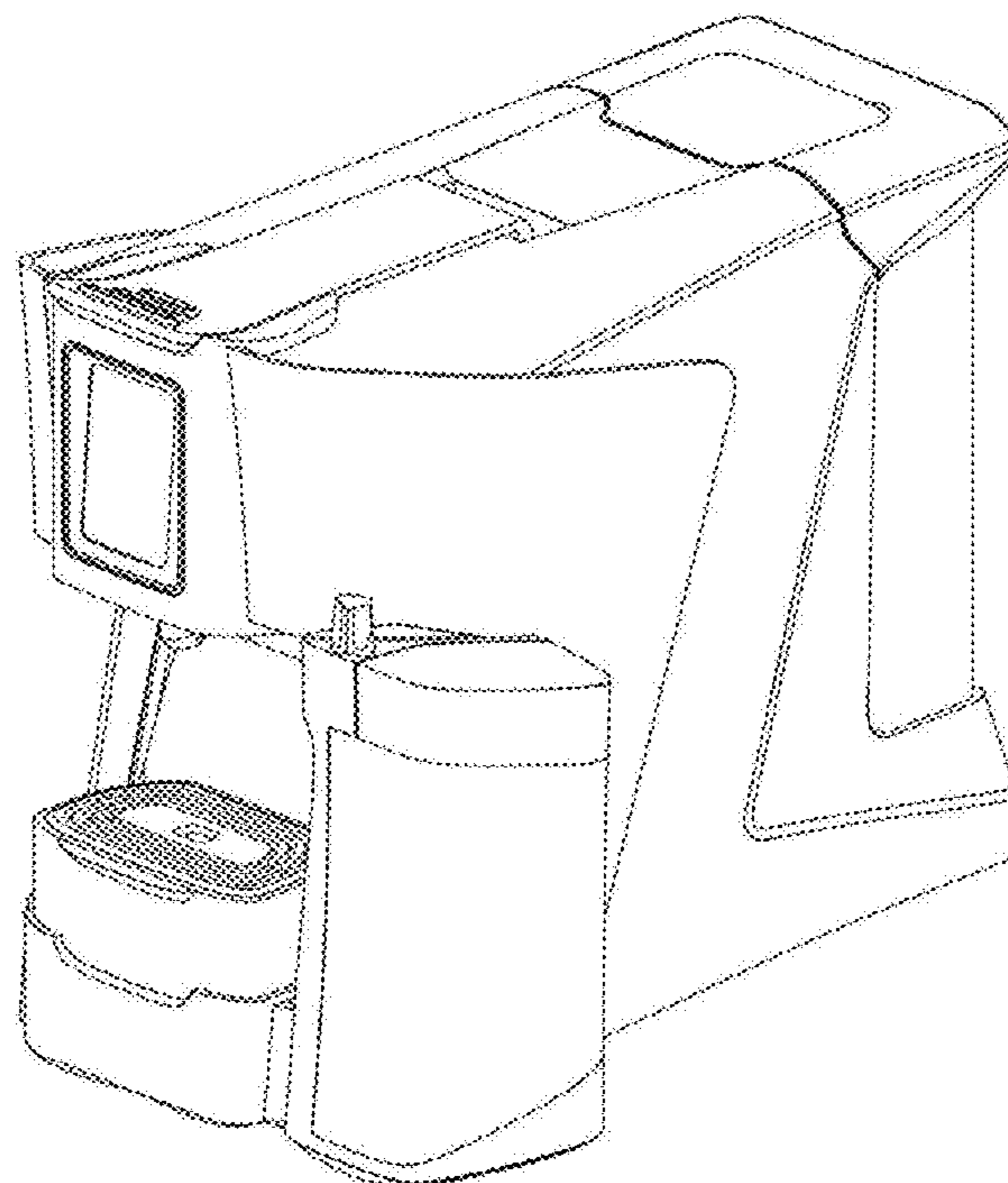
(57) **CLAIM**

The ornamental design for a coffee maker, as shown and described.

**DESCRIPTION**

FIG. 1 is a perspective view of the coffee maker showing my new design;  
FIG. 2 is a front elevational view thereof;  
FIG. 3 is a rear elevational view thereof;  
FIG. 4 is a left side elevational view thereof;  
FIG. 5 is a right side elevational view thereof; and,  
FIG. 6 is a top plan view thereof.  
The broken lines shown in the drawings depict portions of the coffee maker that form no part of the claimed design.

**1 Claim, 6 Drawing Sheets**



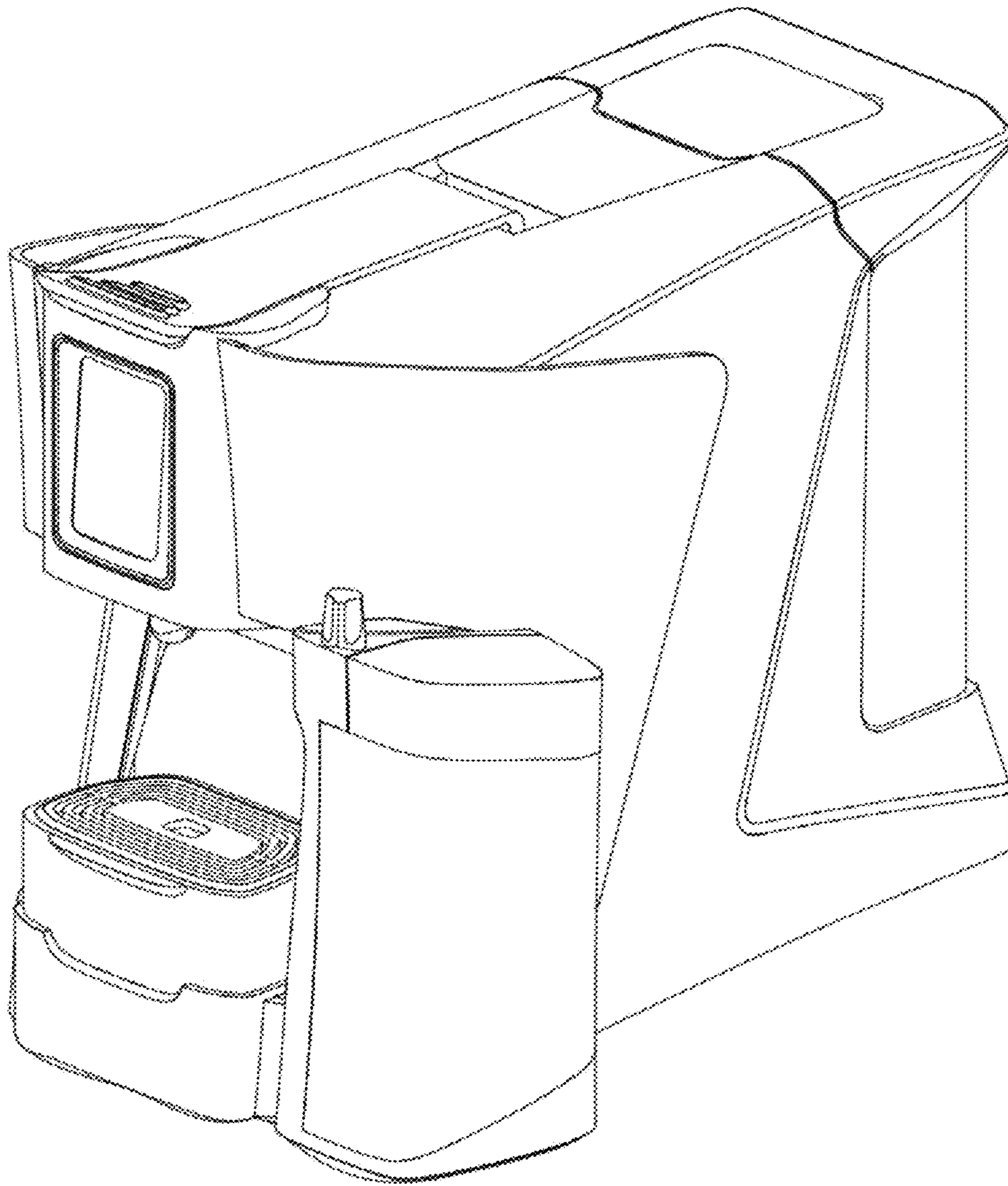


FIG. 1

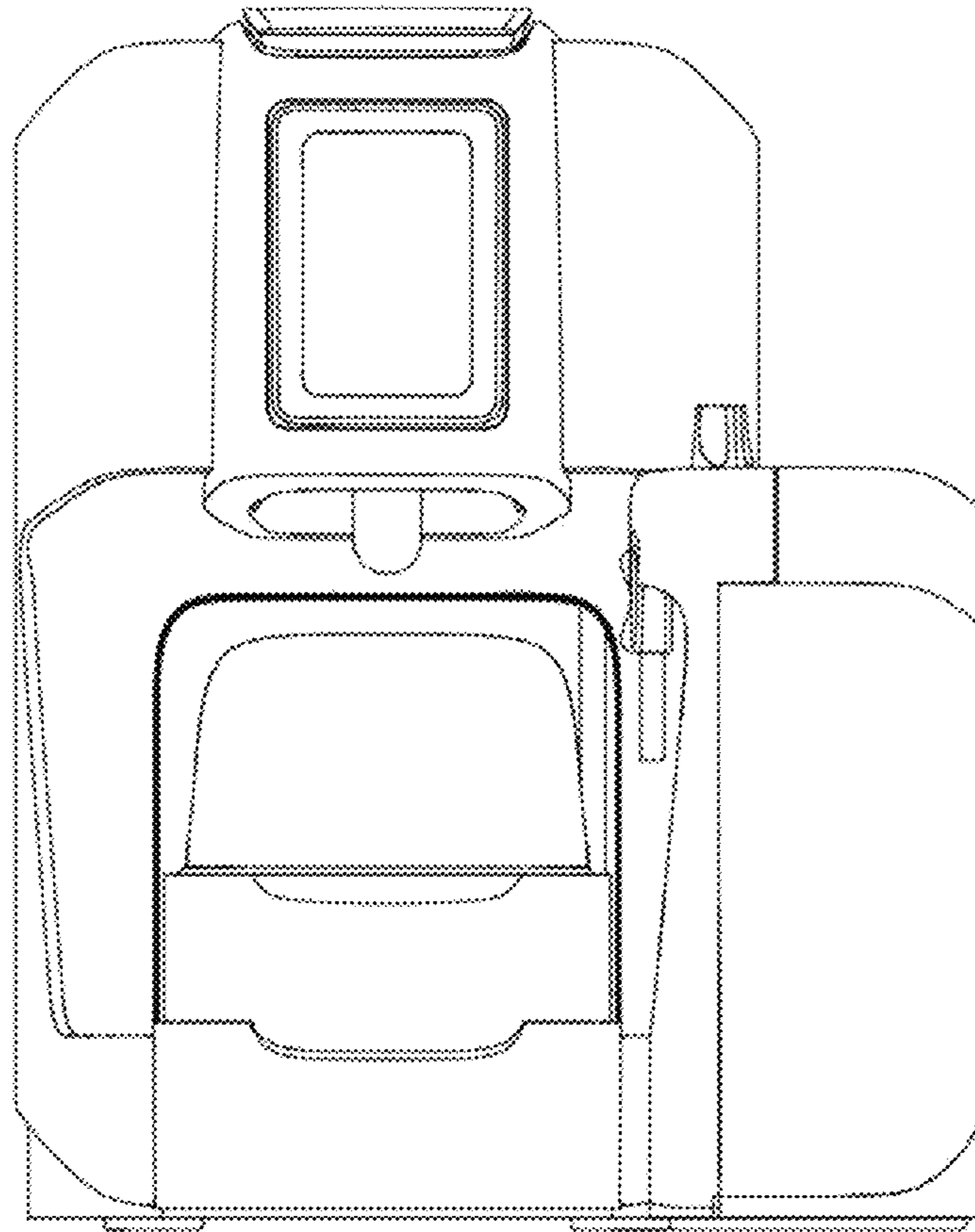


FIG. 2

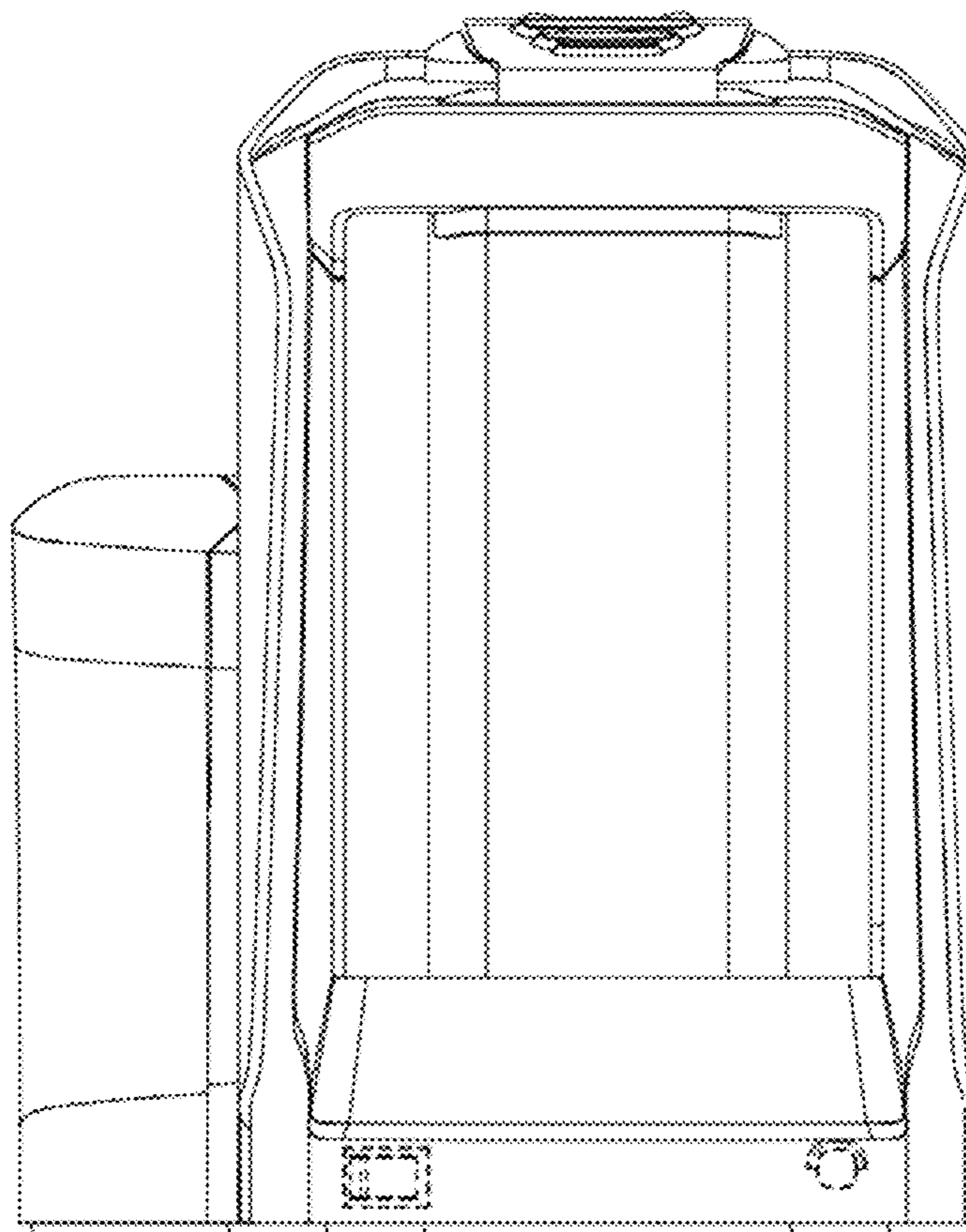


FIG. 3



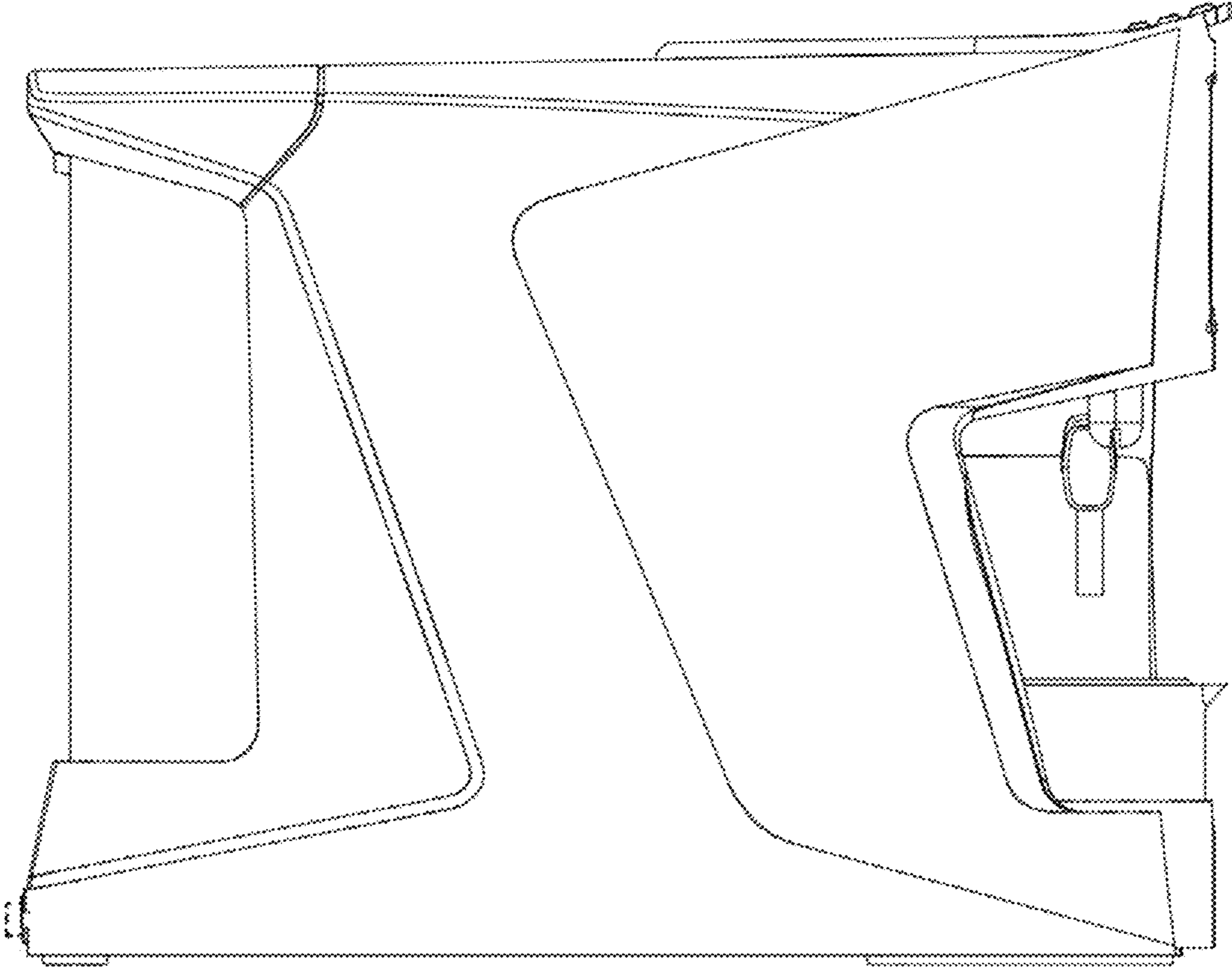


FIG. 4

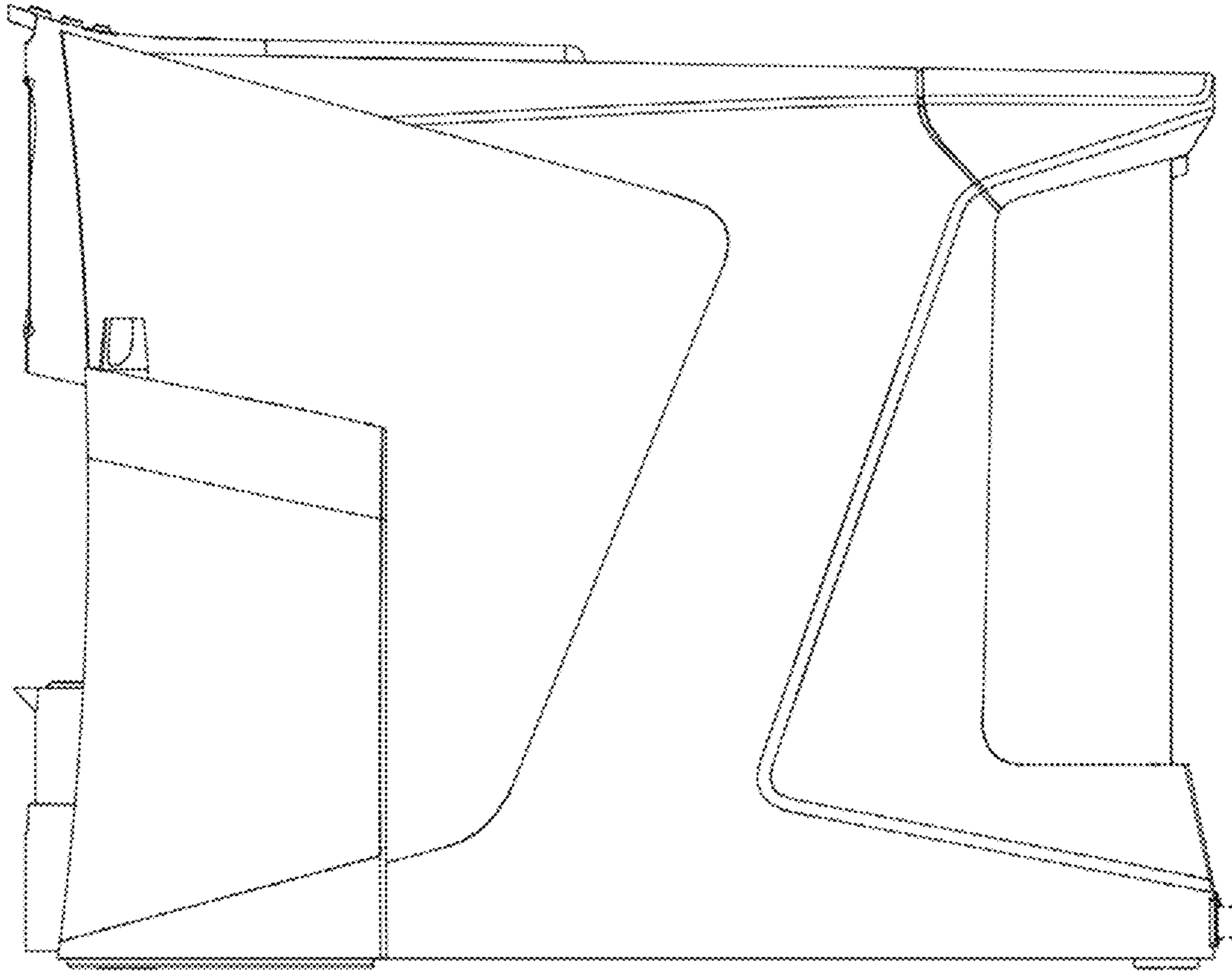


FIG. 5

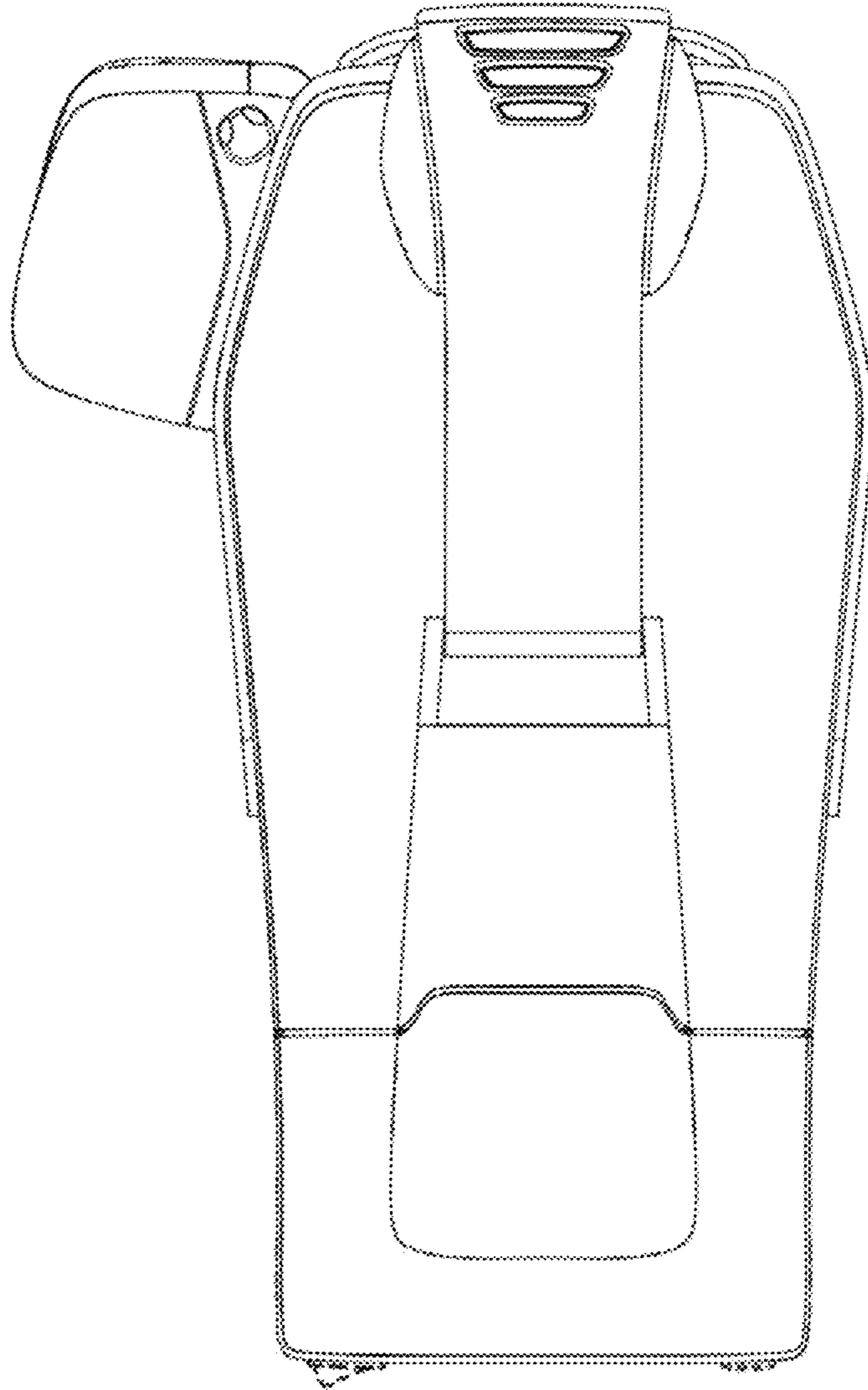


FIG. 6

UNITED STATES PATENT AND TRADEMARK OFFICE  
**CERTIFICATE OF CORRECTION**

PATENT NO. : D881,626 S  
APPLICATION NO. : 29/641149  
DATED : April 21, 2020  
INVENTOR(S) : Massimo Borrelli

Page 1 of 1

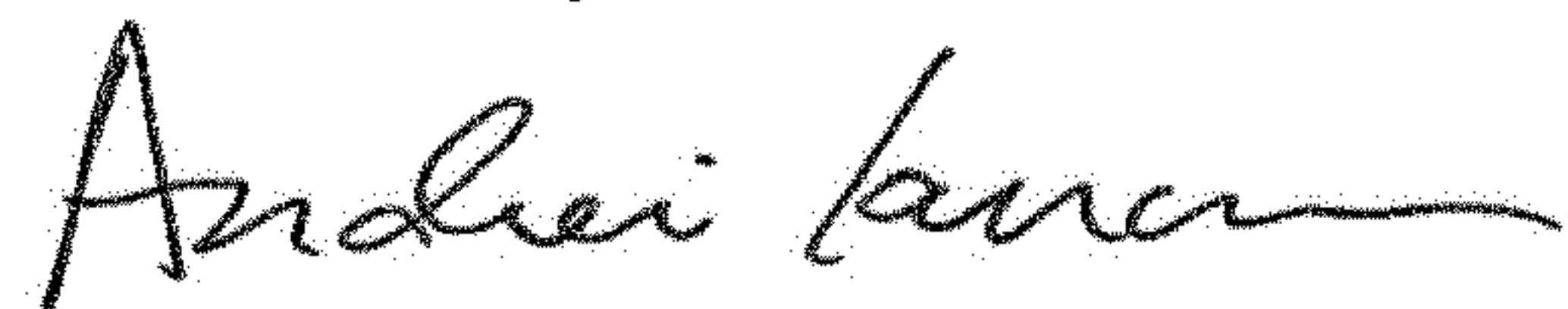
It is certified that error appears in the above-identified patent and that said Letters Patent is hereby corrected as shown below:

On the Title Page

Item (73):

Assignee: "ESSE CAFFE' S.P.A., Anzola dell'Emilia (IT)" should be "ESSSE CAFFE' S.P.A.,  
Anzola dell'Emilia (IT)"

Signed and Sealed this  
Sixth Day of October, 2020



Andrei Iancu  
*Director of the United States Patent and Trademark Office*