



US00D881625S

(12) **United States Design Patent**  
**Borrelli**

(10) **Patent No.:** **US D881,625 S**

(45) **Date of Patent:** **\*\* Apr. 21, 2020**

(54) **COFFEE MAKER**

(71) Applicant: **ESSSE CAFFE' S.p.A.**, Anzola Dell  
'Emilia (IT)

(72) Inventor: **Massimo Borrelli**, Moncalieri (IT)

(73) Assignee: **ESSSE CAFFE' S.P.A.**, Anzola  
Dell'Emilia (IT)

(\*\*) Term: **15 Years**

(21) Appl. No.: **29/641,144**

(22) Filed: **Mar. 20, 2018**

(30) **Foreign Application Priority Data**

Sep. 21, 2017 (EM) ..... 004366680

(51) **LOC (12) Cl.** ..... **07-01**

(52) **U.S. Cl.**  
USPC ..... **D7/309; D7/311**

(58) **Field of Classification Search**

USPC ..... D7/300, 306-311, 305, 397, 355, 362,  
D7/365, 367, 399; 222/146.6, 185.1, 135;  
99/295, 273, 304, 288, 279, 307, 283  
CPC ..... A47J 31/46; A47J 31/407; A47J 31/50;  
A47J 31/18; A47J 31/00; A47J 27/04;  
A47J 31/4489; A47J 31/4485

See application file for complete search history.

(56) **References Cited**

**U.S. PATENT DOCUMENTS**

D595,992 S \* 7/2009 Clark ..... D7/309  
D666,051 S \* 8/2012 de Pra ..... D7/309

D695,054 S \* 12/2013 De Pra ..... D7/309  
D735,518 S \* 8/2015 De'Longhi ..... D7/309  
D755,000 S \* 5/2016 Lovati ..... D7/306  
D779,257 S \* 2/2017 Hale ..... D7/306  
D786,602 S \* 5/2017 Palermo ..... D7/306  
D817,061 S \* 5/2018 Lissoni ..... D7/309  
D831,398 S \* 10/2018 Cahen ..... D7/306  
D840,733 S \* 2/2019 Hale ..... D7/306  
D862,143 S \* 10/2019 Stefanoni ..... D7/309  
D862,144 S \* 10/2019 Merelli ..... D7/309  
2018/0263409 A1 \* 9/2018 Jarisch ..... A47J 31/4485

\* cited by examiner

*Primary Examiner* — Marianne N Pandozzi

(74) *Attorney, Agent, or Firm* — Gottlieb, Rackman &  
Reisman, P.C.

(57) **CLAIM**

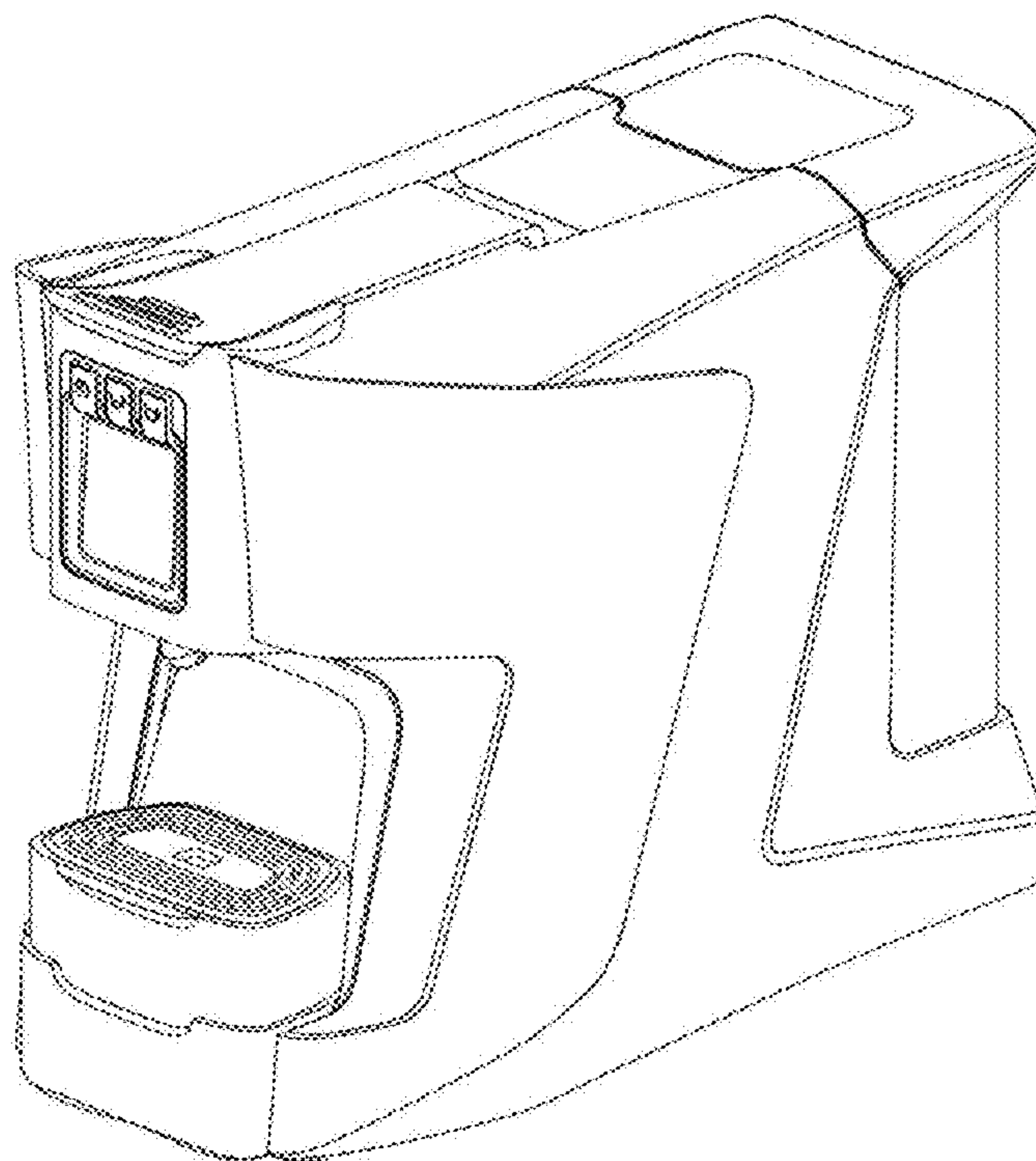
The ornamental design for a coffee maker, as shown and  
described.

**DESCRIPTION**

FIG. 1 is a perspective view of the coffee maker showing my  
new design;  
FIG. 2 is a front elevational view thereof;  
FIG. 3 is a rear elevational view thereof;  
FIG. 4 is a left side elevational view thereof;  
FIG. 5 is a right side elevational view thereof; and,  
FIG. 6 is a top plan view thereof.

The broken lines shown in the drawings depict portions of  
the coffee maker that form no part of the claimed design.

**1 Claim, 6 Drawing Sheets**



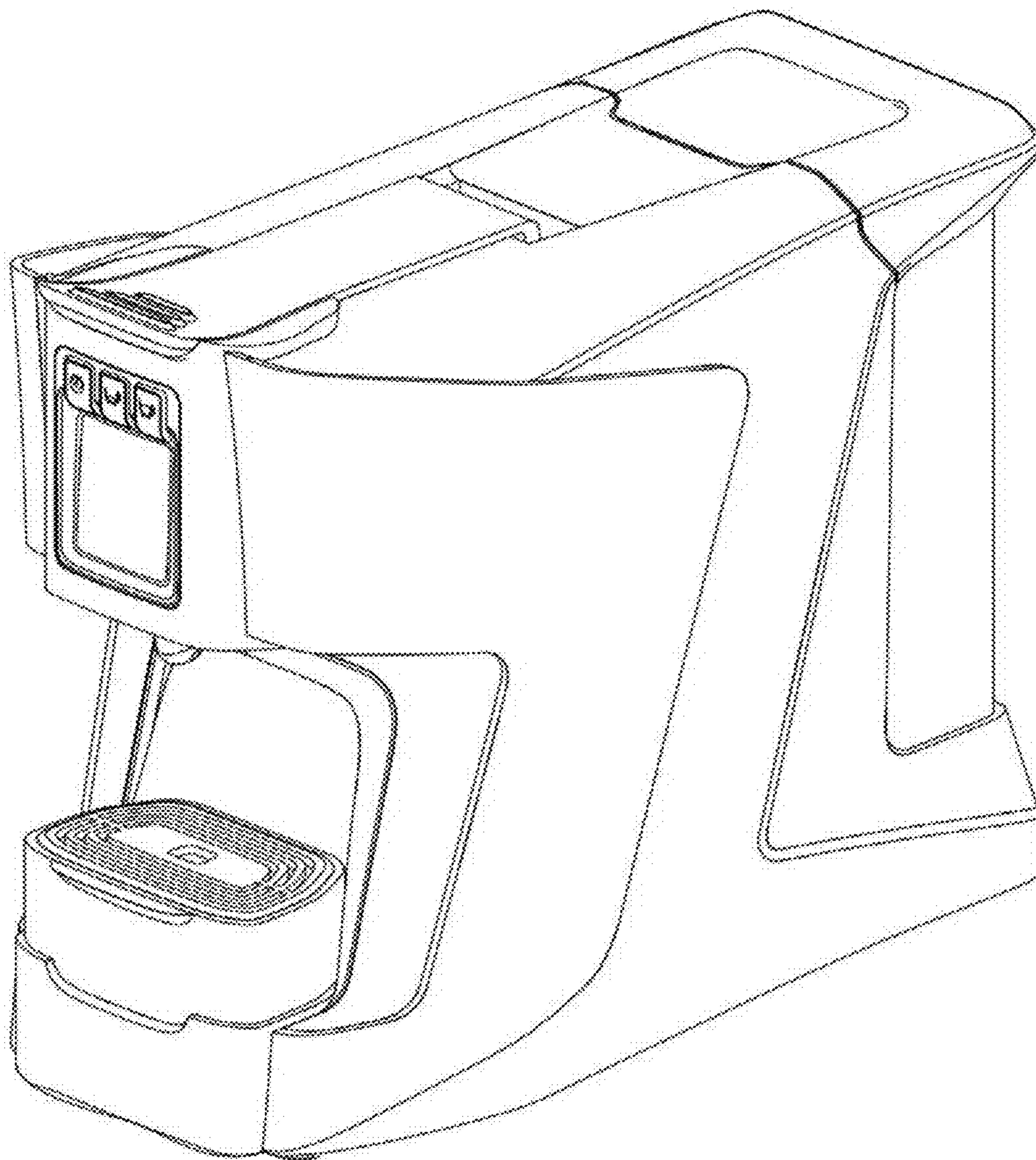


FIG. 1

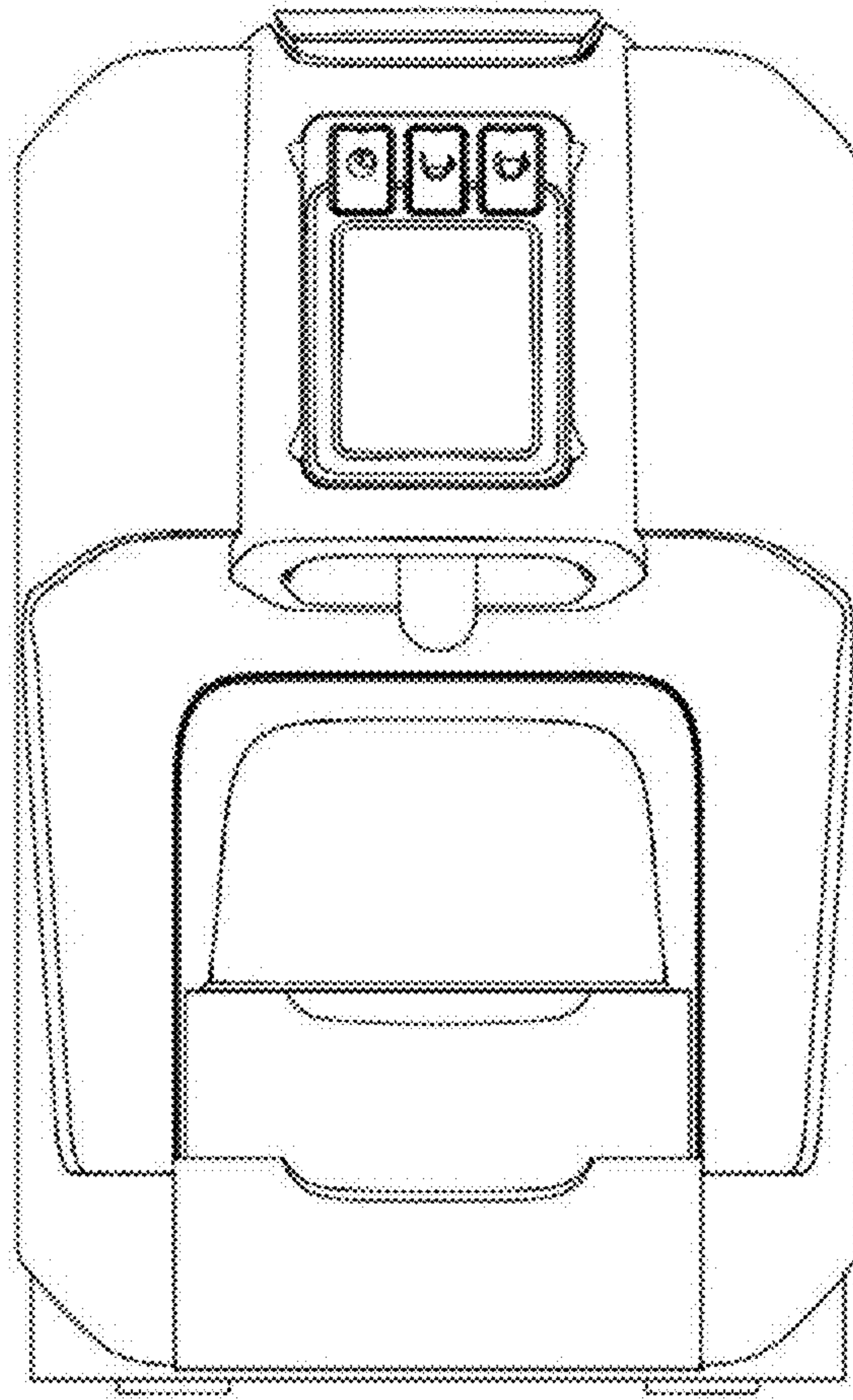


FIG. 2



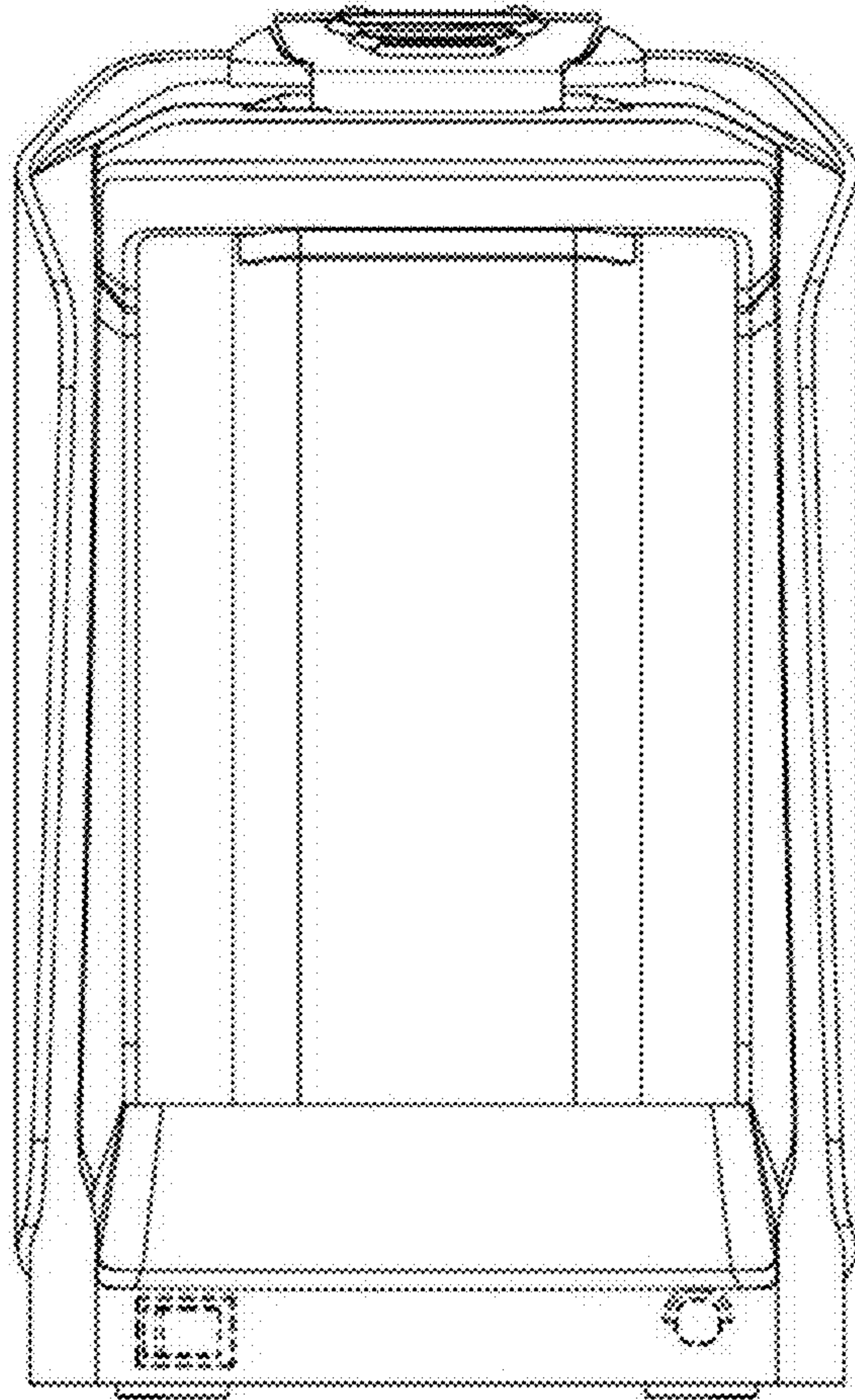


FIG. 3

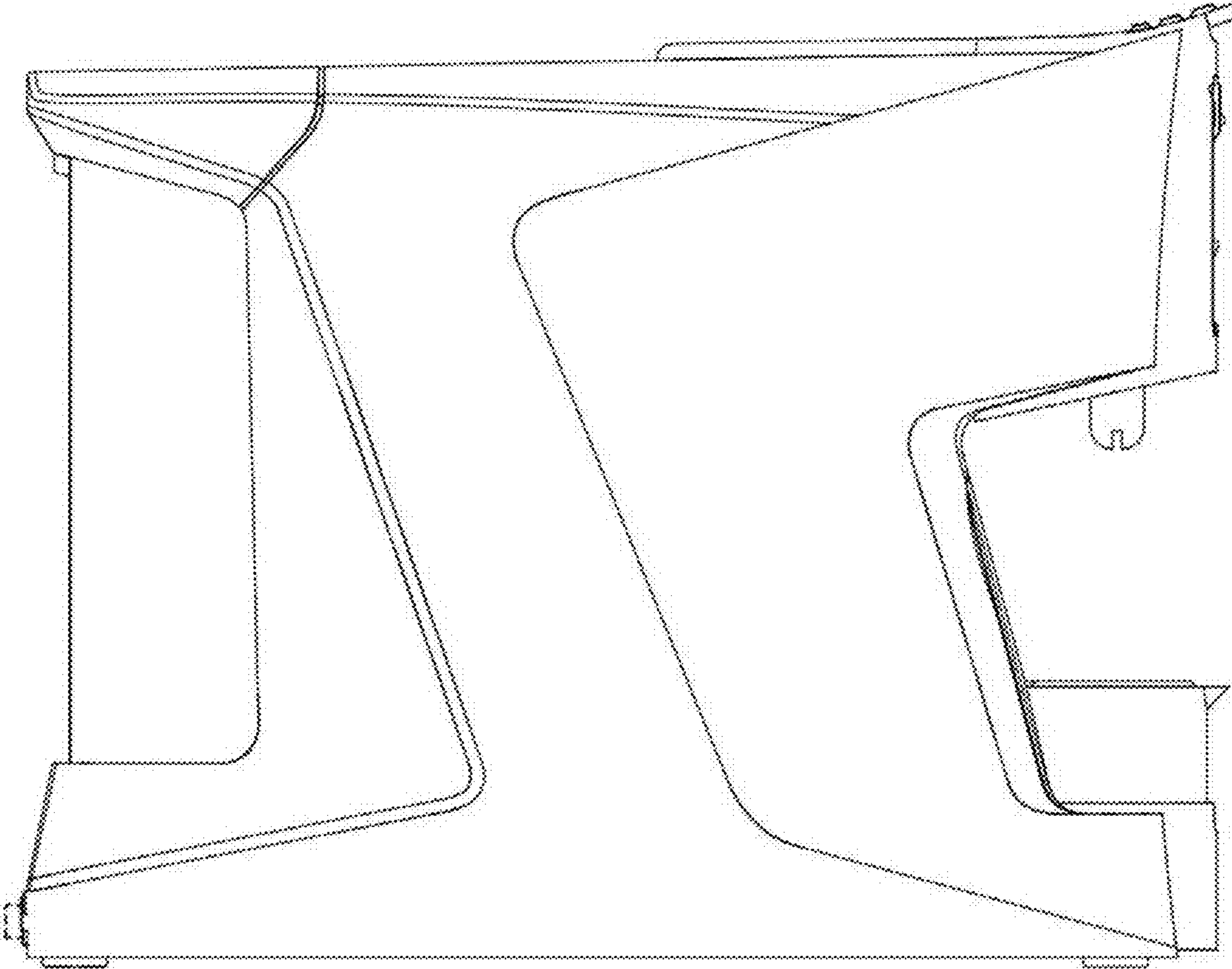


FIG. 4

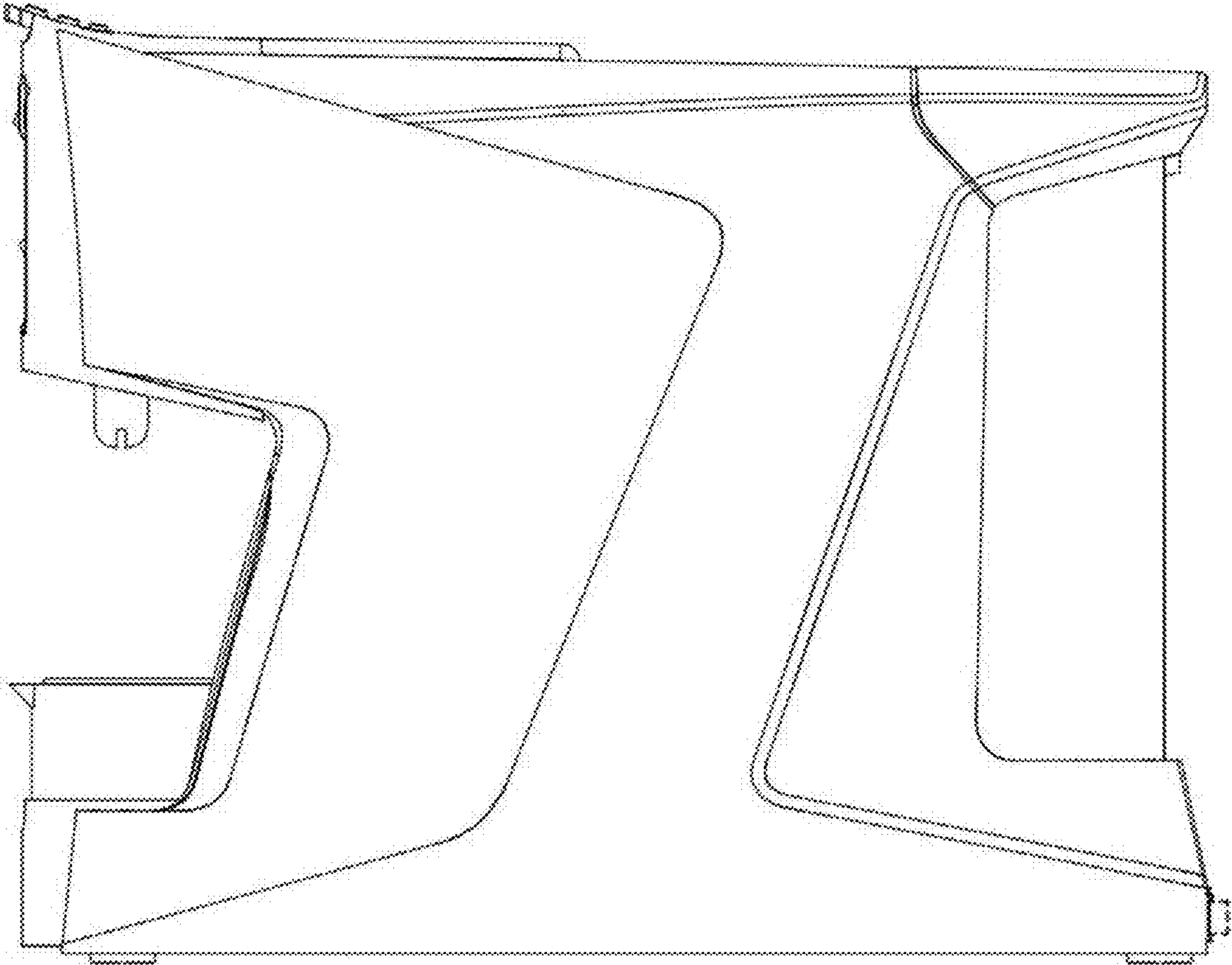


FIG. 5

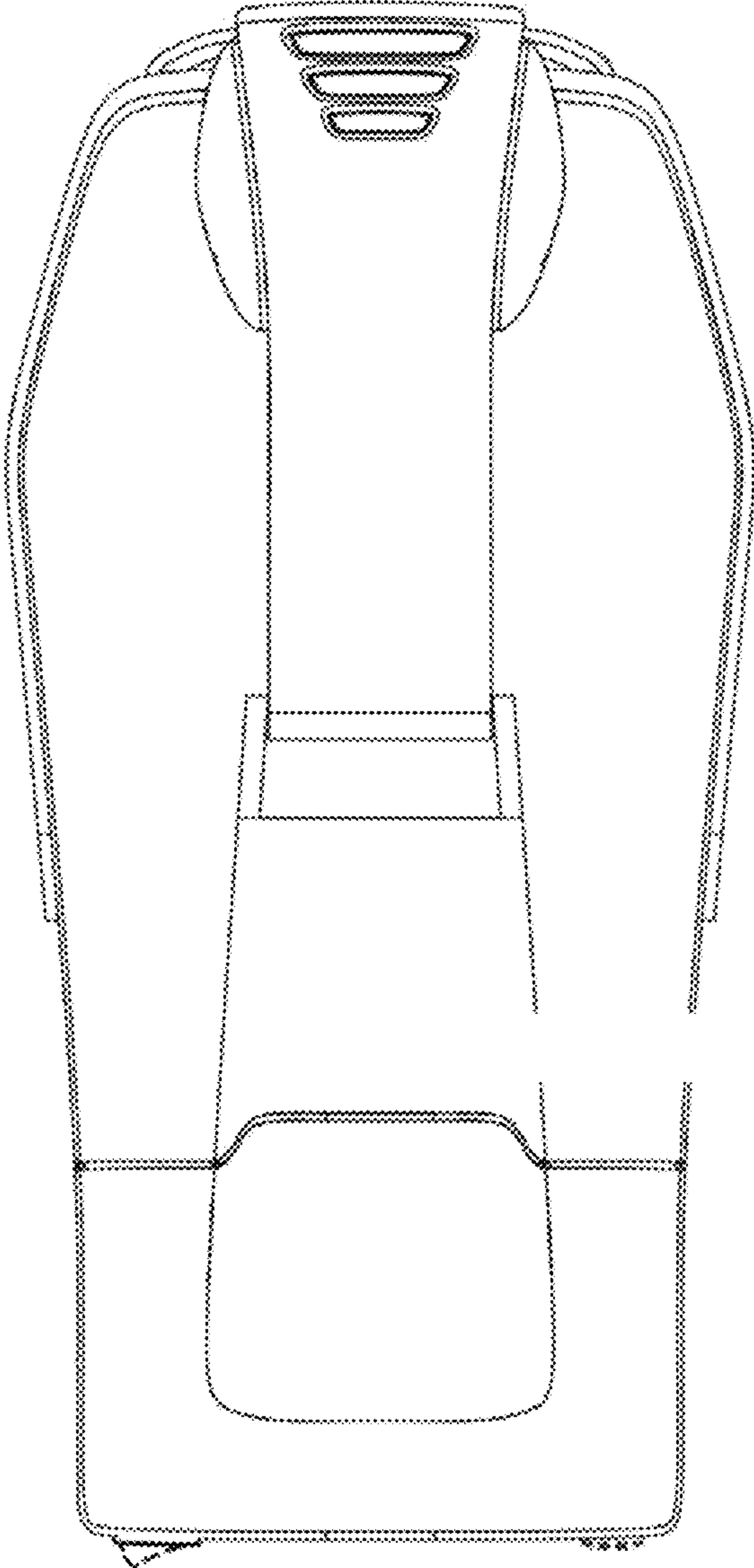


FIG. 6