



US00D881623S

(12) **United States Design Patent**
Siow et al.

(10) **Patent No.:** **US D881,623 S**

(45) **Date of Patent:** **** Apr. 21, 2020**

(54) **TOY TRAIN CAR**

(71) Applicants: **Bee Toh Siow**, Plano, TX (US); **Wai Hoe Ho**, Plano, TX (US)

(72) Inventors: **Bee Toh Siow**, Plano, TX (US); **Wai Hoe Ho**, Plano, TX (US)

(**) Term: **15 Years**

(21) Appl. No.: **29/586,683**

(22) Filed: **Dec. 6, 2016**

(51) **LOC (12) Cl.** **06-06**

(52) **U.S. Cl.**
USPC **D6/719**; D6/708

(58) **Field of Classification Search**
USPC D12/86, 90-92, 164, 173, 184-186, 190,
D12/196; D21/419, 421, 423, 424-426,
D21/433-434, 534, 539, 541, 548, 550,
D21/552, 559
CPC B60R 13/04; B60R 19/54; B62D 25/12;
B62D 27/026; B62D 35/005; B62D
5/0412

See application file for complete search history.

(56) **References Cited**

U.S. PATENT DOCUMENTS

D351,447 S *	10/1994	Barnes	D21/541
5,427,561 A *	6/1995	Eichhorn	A63H 19/00
				104/DIG. 1
D381,709 S *	7/1997	Petersson	D21/540
D459,568 S *	6/2002	Glenn	D99/30
6,428,008 B1 *	8/2002	Singer	B60P 3/025
				273/447
6,554,681 B1 *	4/2003	Tammera	A63H 19/15
				446/288
6,565,410 B1 *	5/2003	Allen	A63H 19/24
				446/454
D484,195 S *	12/2003	Shippy	D21/540
D509,576 S *	9/2005	Williams	D23/297

D588,650 S *	3/2009	Yen	D21/427
D647,575 S *	10/2011	Inoue	D21/541
D718,568 S *	12/2014	Free	D7/332
D751,653 S *	3/2016	Champ	D21/541
D811,490 S *	2/2018	Libby	D21/522
D825,009 S *	8/2018	Kamiyama	D21/541
D846,658 S *	4/2019	Gerstner	D21/541
2005/0112985 A1 *	5/2005	Ciccarelli	A63H 19/15
				446/80

OTHER PUBLICATIONS

<https://es.aliexpress.com/item/32791152082.html> (Year: 2019).*

* cited by examiner

Primary Examiner — Manpreet S Matharu

Assistant Examiner — Keith J Wilson

(74) *Attorney, Agent, or Firm* — Law Office of Sam Sokhansanj PLLC

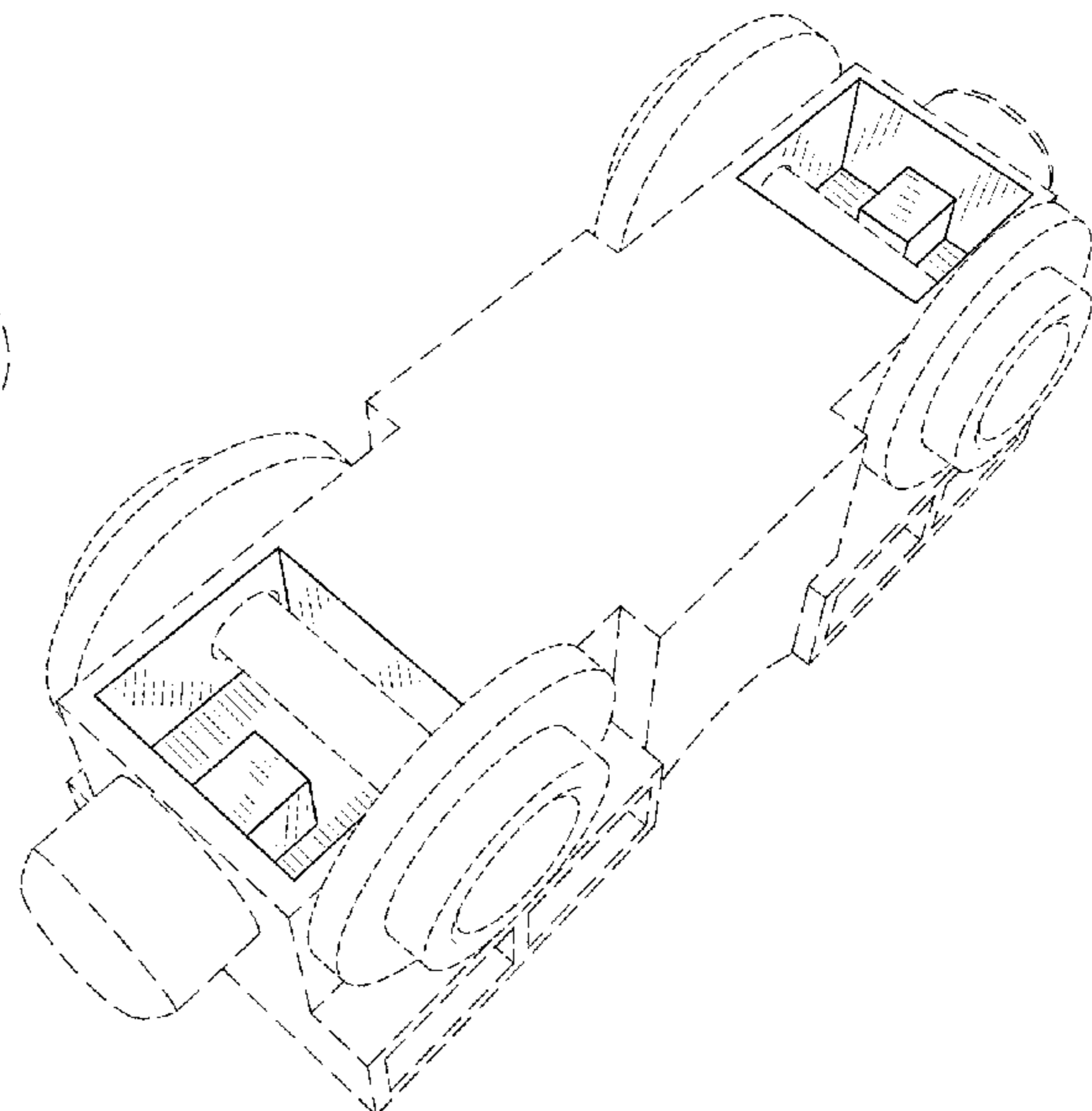
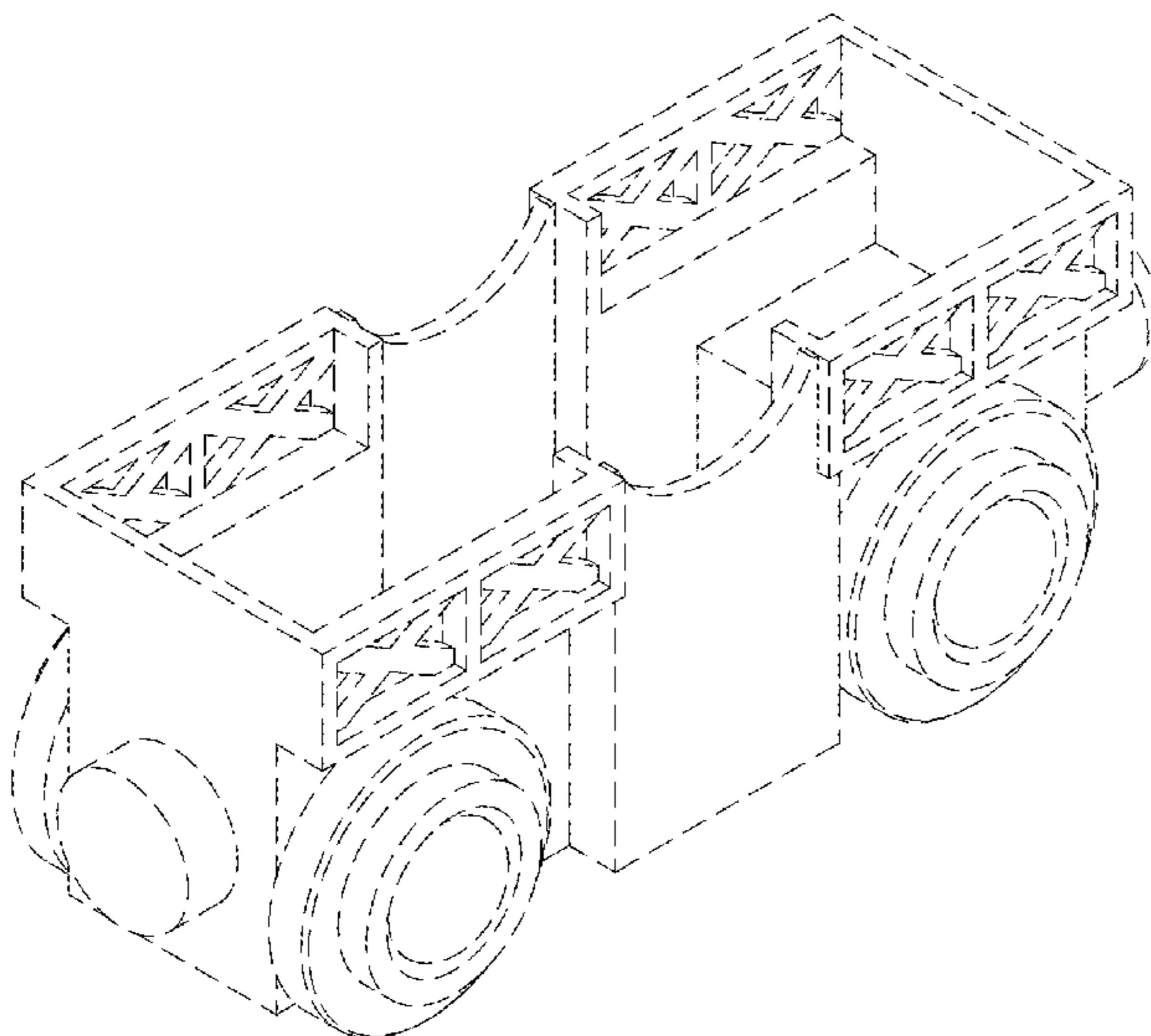
(57) **CLAIM**

The ornamental design for a toy train car, as shown and described.

DESCRIPTION

FIG. 1 illustrates a perspective front view of the toy train car.
 FIG. 2 illustrates a front view of the toy train car.
 FIG. 3 illustrates a rear view of the toy train car.
 FIG. 4 illustrates a right side view of the toy train car.
 FIG. 5 illustrates a left side view of the toy train car.
 FIG. 6 illustrates a top view view of the toy train car.
 FIG. 7 illustrates a bottom view of the toy train car.
 FIG. 8 illustrates a perspective top view of the toy train car; and,
 FIG. 9 illustrates a perspective bottom view of the toy train car.
 The broken lines show portions of the toy train car which form no part of claimed design.

1 Claim, 6 Drawing Sheets



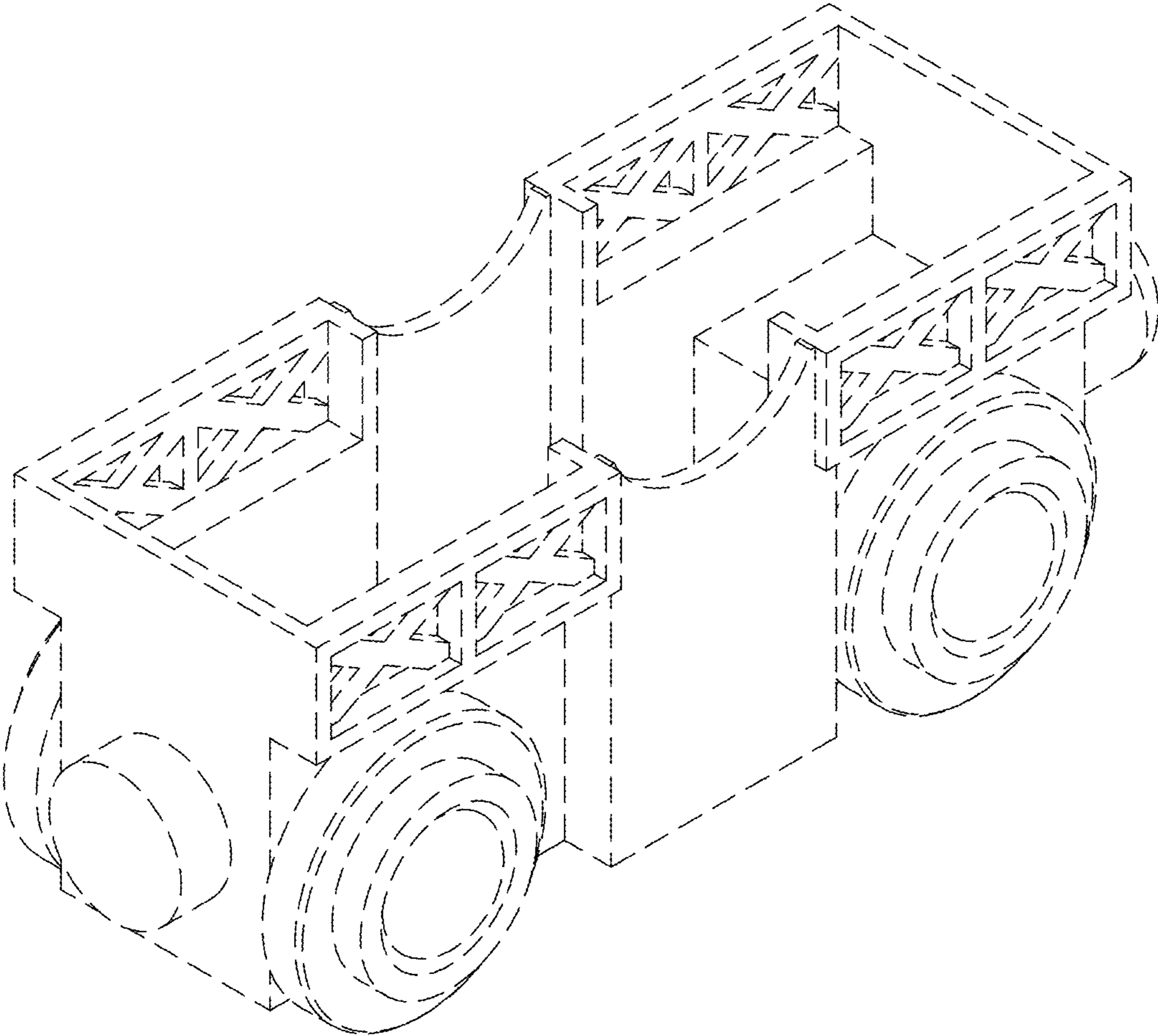


FIG. 1

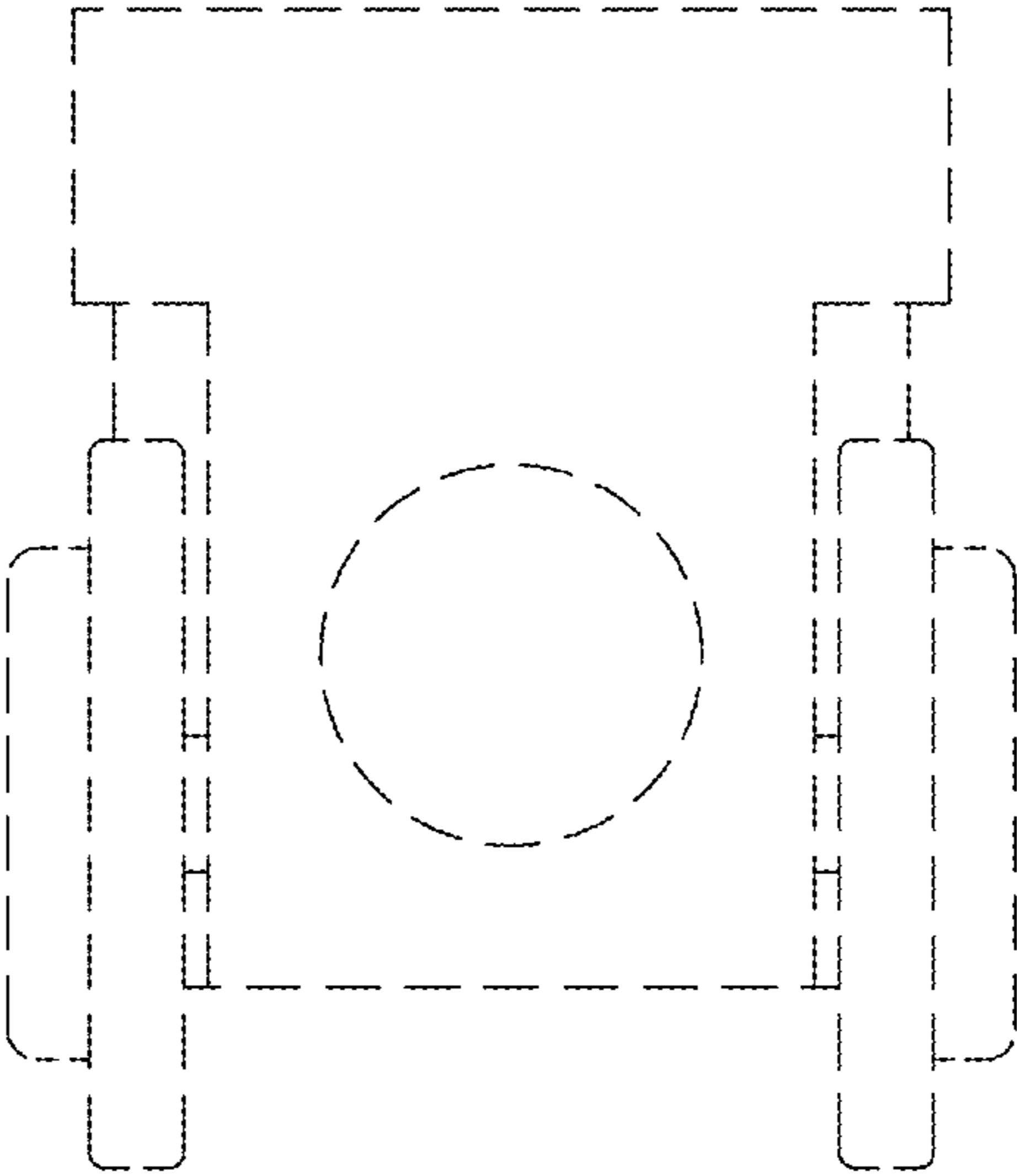


FIG. 2

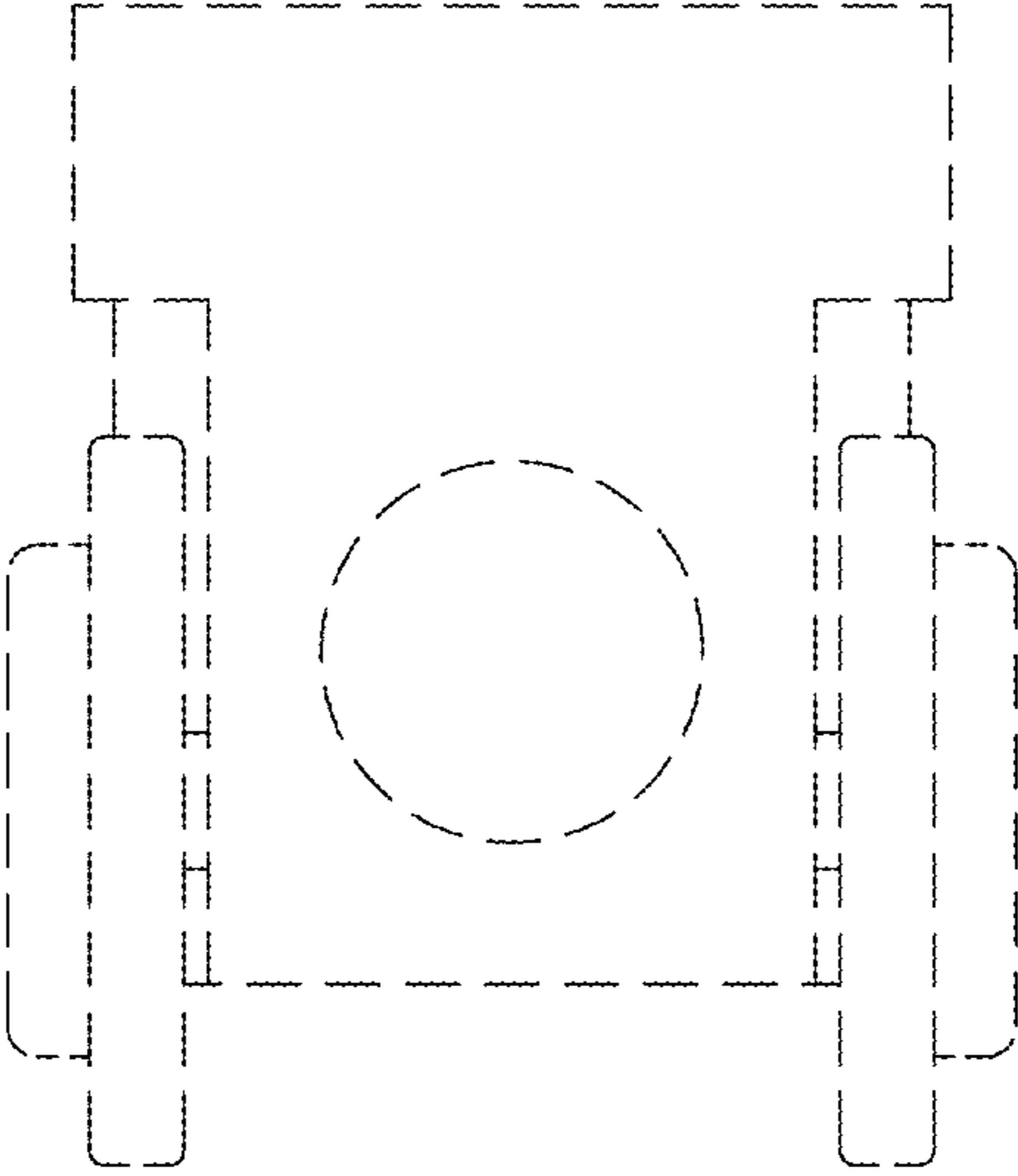


FIG. 3

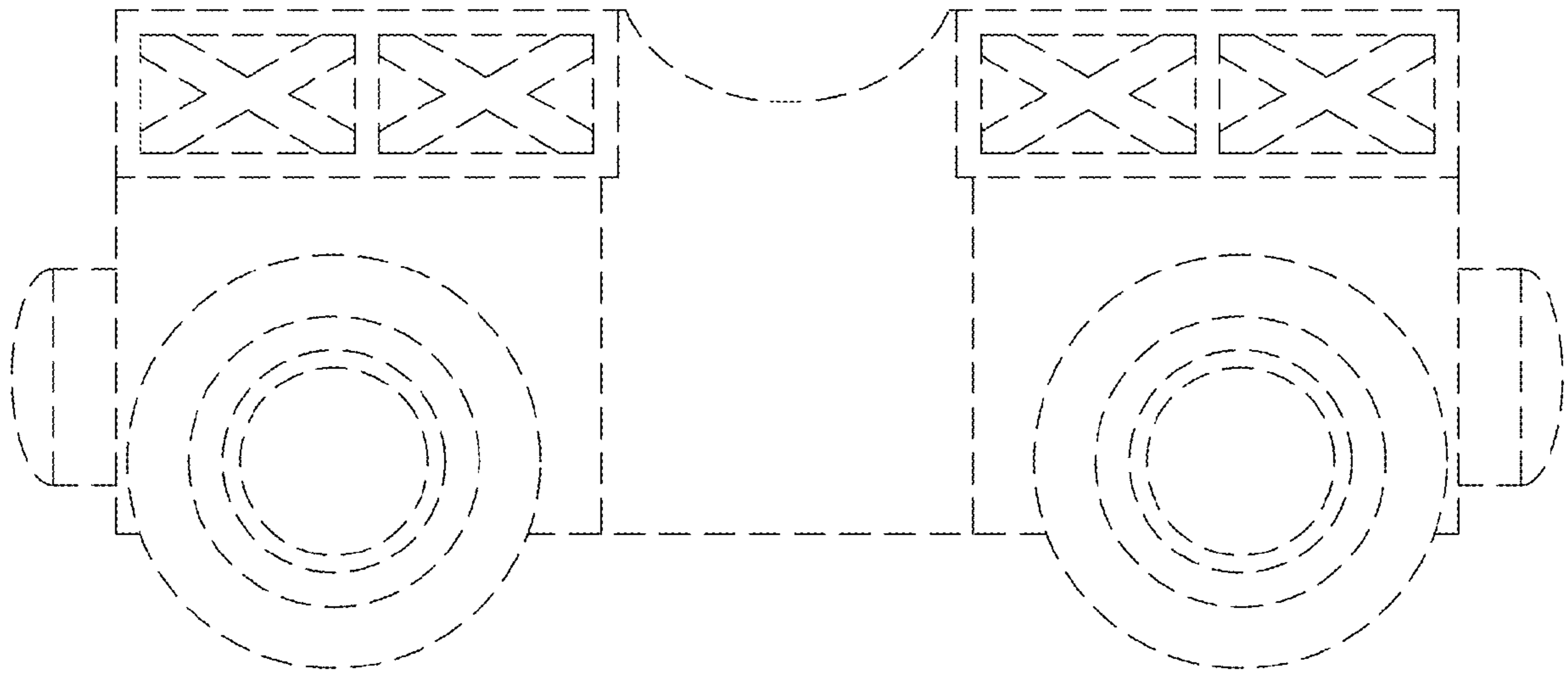


FIG. 4

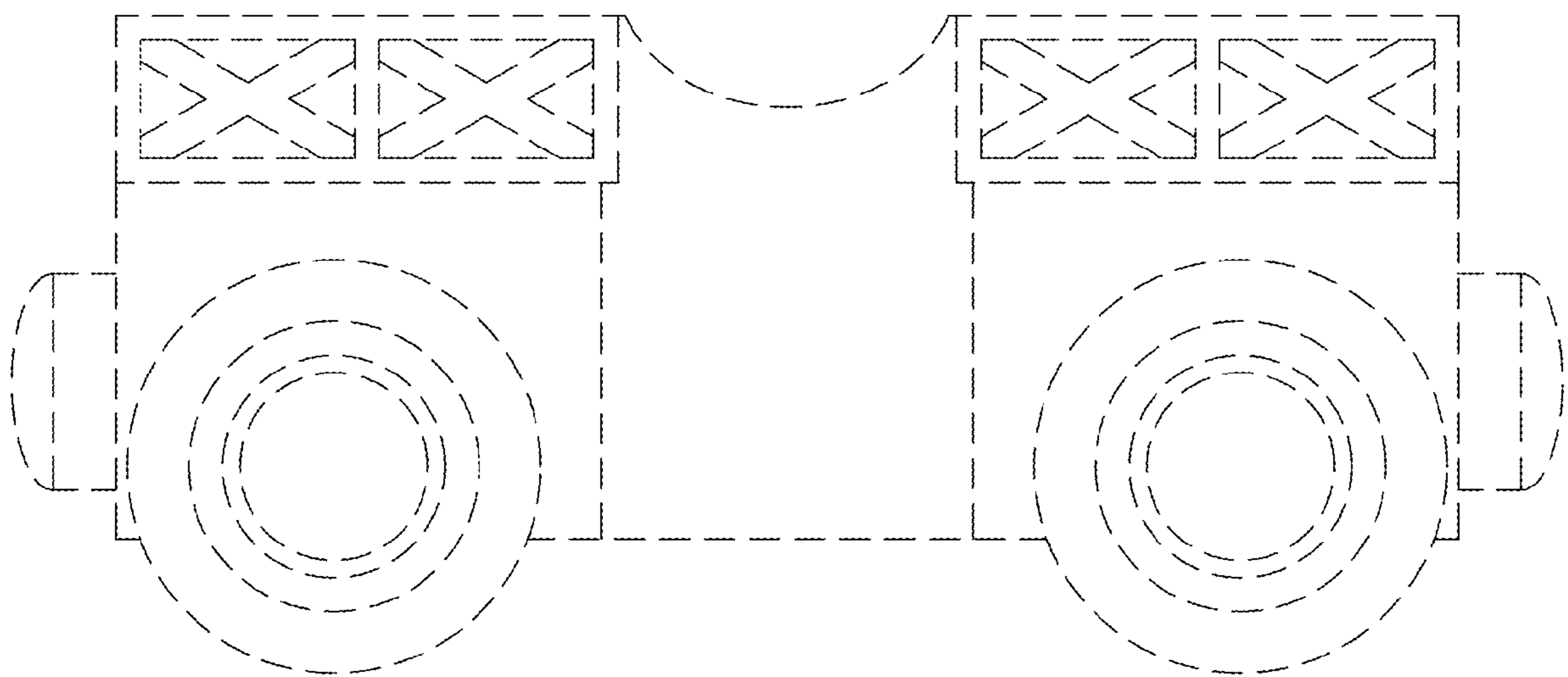


FIG. 5

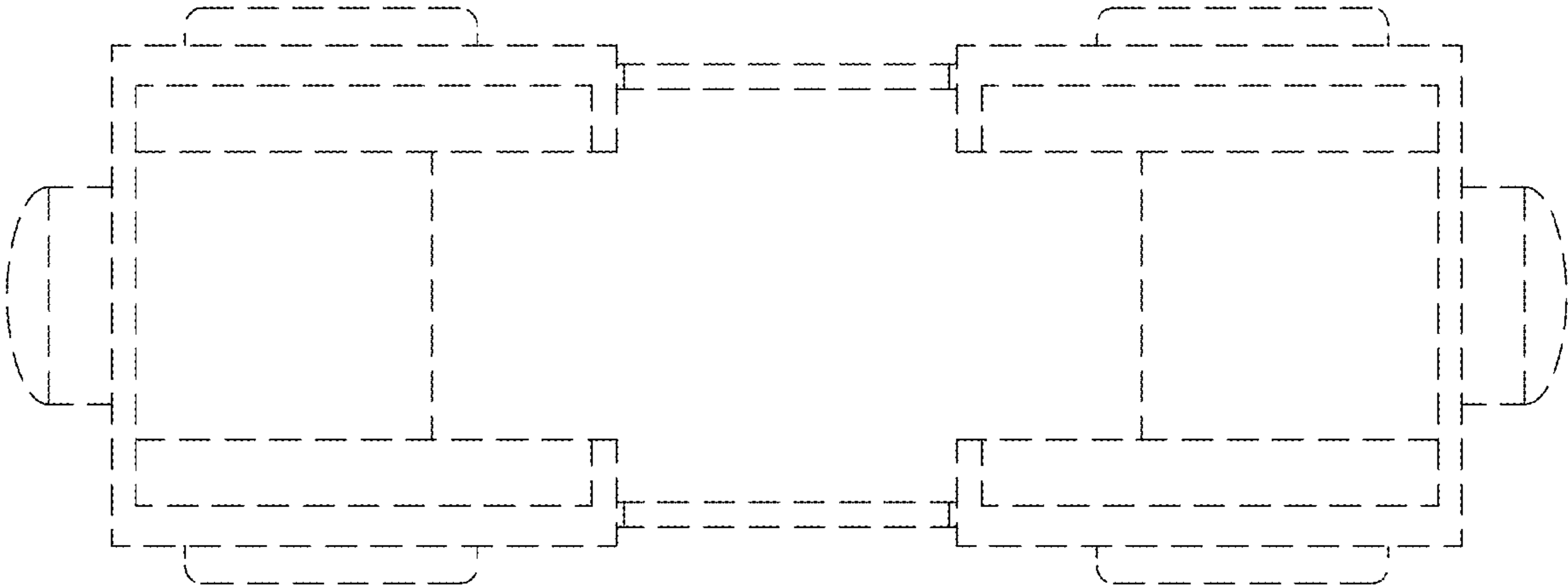


FIG. 6

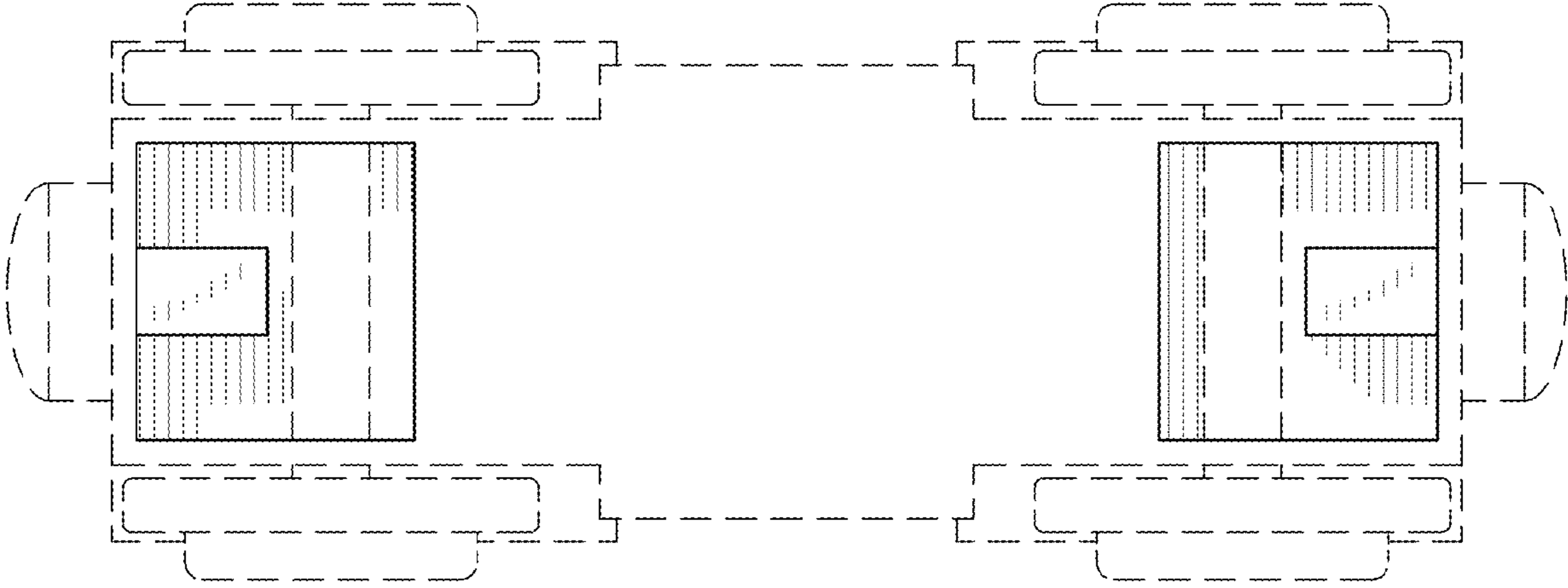


FIG. 7

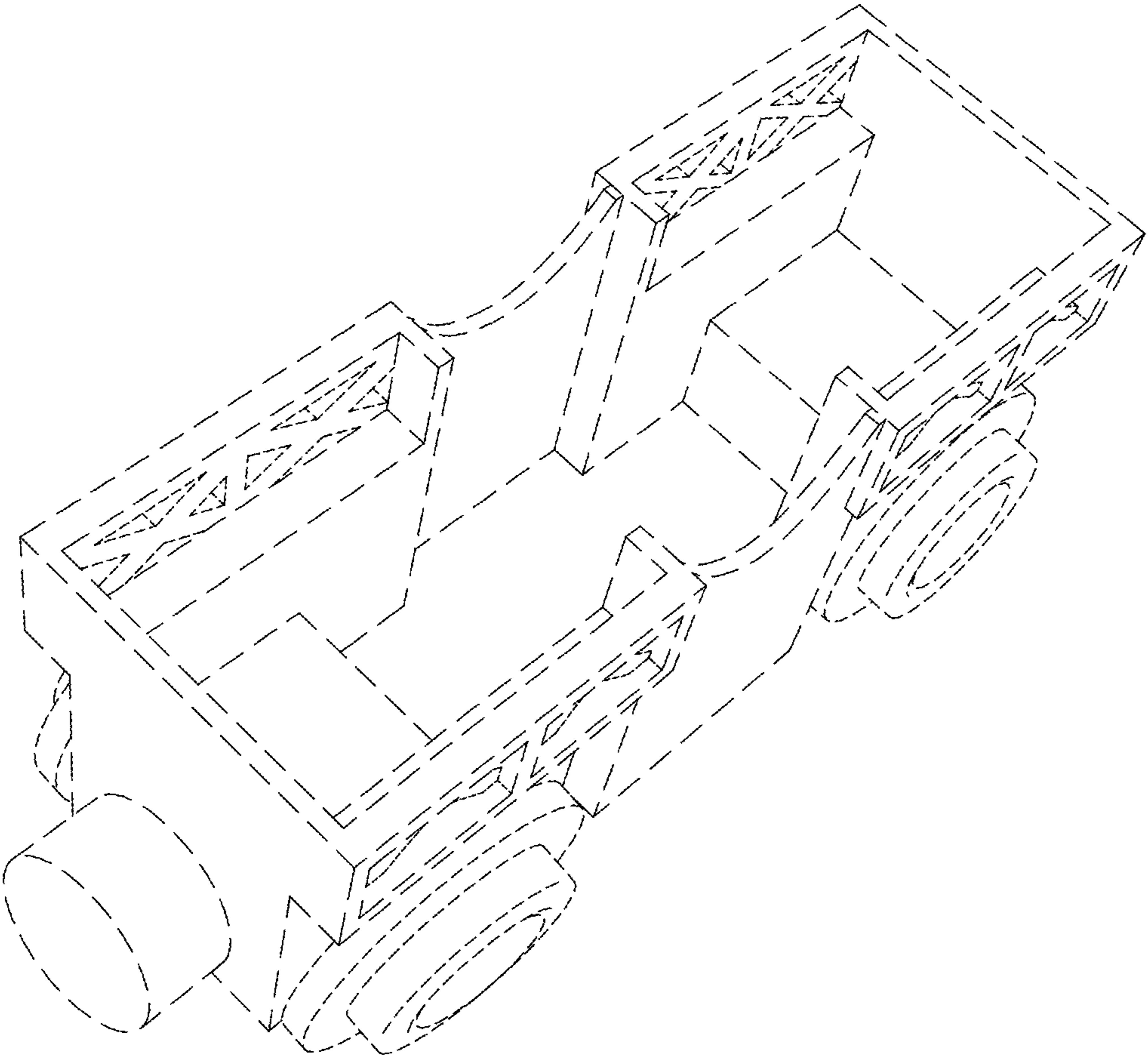


FIG. 8

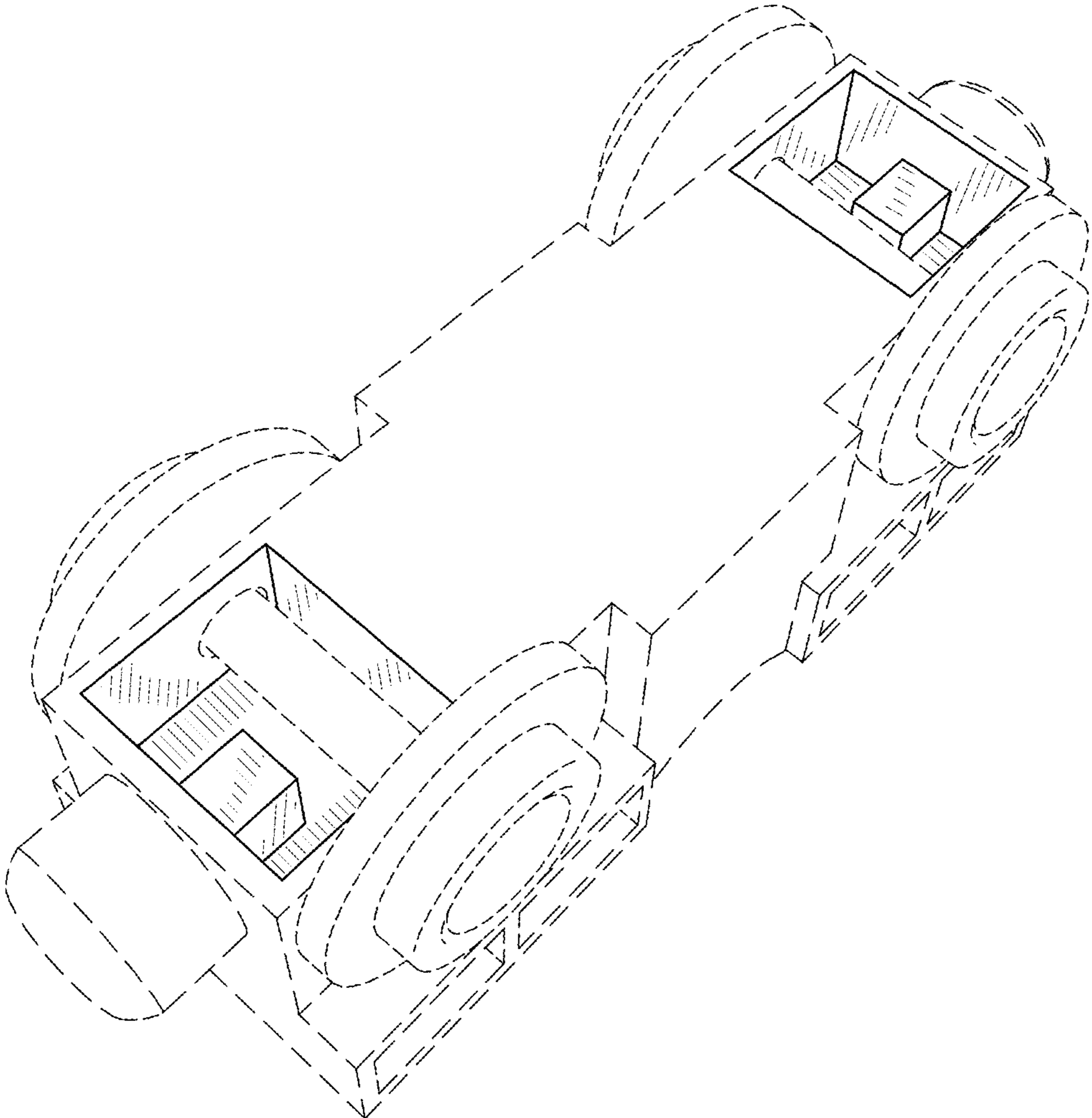


FIG. 9