



US00D881622S

(12) **United States Design Patent** (10) **Patent No.:** **US D881,622 S**  
**Burden** (45) **Date of Patent:** **\*\* Apr. 21, 2020**

(54) **HEADBOARD**

(71) Applicant: **Ian James Burden**, Sovereign Island (AU)

(72) Inventor: **Ian James Burden**, Sovereign Island (AU)

(\*\*) Term: **15 Years**

(21) Appl. No.: **29/659,520**

(22) Filed: **Aug. 9, 2018**

(30) **Foreign Application Priority Data**

May 21, 2018 (AU) ..... 201813001

(51) **LOC (12) Cl.** ..... **06-06**

(52) **U.S. Cl.**  
USPC ..... **D6/718.22**

(58) **Field of Classification Search**  
USPC ..... D6/382-385, 389, 393-395, 718.13,  
D6/718.21, 718.22

CPC ..... A47C 19/00; A47C 19/02; A47C 19/022;  
A47C 17/00; A47C 17/86; E04H 17/1408

See application file for complete search history.

(56) **References Cited**

**U.S. PATENT DOCUMENTS**

- D139,766 S \* 12/1944 Bruner ..... D6/332
- 2,890,023 A \* 6/1959 Baxter ..... E04H 17/1408  
256/19
- 3,050,287 A \* 8/1962 Bloch ..... E04H 17/1408  
256/24
- D572,926 S \* 7/2008 Lowsky ..... D6/369
- D641,187 S \* 7/2011 Schopmeyer ..... D6/718.22
- D681,350 S \* 5/2013 Anderson ..... D5/43
- D713,550 S \* 9/2014 Nicolosi ..... D25/38.1
- D767,914 S \* 10/2016 Burden ..... D6/393
- D770,825 S \* 11/2016 Burden ..... D6/718.22
- D798,618 S \* 10/2017 Goodrum ..... D6/336
- D806,459 S \* 1/2018 Burden ..... D6/718.22

- D812,400 S \* 3/2018 Burden ..... D6/718.22
- D818,297 S \* 5/2018 Burden ..... D6/718.22
- D832,622 S \* 11/2018 Goodrum ..... D6/643
- D834,839 S \* 12/2018 Goodrum ..... D6/332
- 2011/0129623 A1 \* 6/2011 Haimoff ..... A47C 5/12  
428/32
- 2019/0249454 A1 \* 8/2019 Stapleton ..... E04H 17/1408

**OTHER PUBLICATIONS**

Wooden Woven Wall, HGTV How to Create a Woven Wall, site visited Dec. 10, 2019, available online at <https://www.hgtv.com/design/decorating/design-101/how-to-create-a-wooden-woven-wall> (Year: 2019).\*

Woven Slat Headboard, Decomanitas.com, review dates from 2015, site visited Dec. 10, 2019, available online at <https://www.decomanitas.com/cabeceros-de-cama-originales-para-hacer-tu-mismo/> (Year: 2015).\*

\* cited by examiner

*Primary Examiner* — Cathron C Brooks

(74) *Attorney, Agent, or Firm* — Dykema Gossett PLLC

(57) **CLAIM**

The ornamental design for a headboard, as shown and described.

**DESCRIPTION**

FIG. 1 is a front view of a headboard according to my new and ornamental design,

FIG. 2 is a rear view thereof,

FIG. 3 is a right side elevational view thereof,

FIG. 4 is a left side elevational view thereof,

FIG. 5 is a top plan view thereof,

FIG. 6 is a bottom plan view thereof,

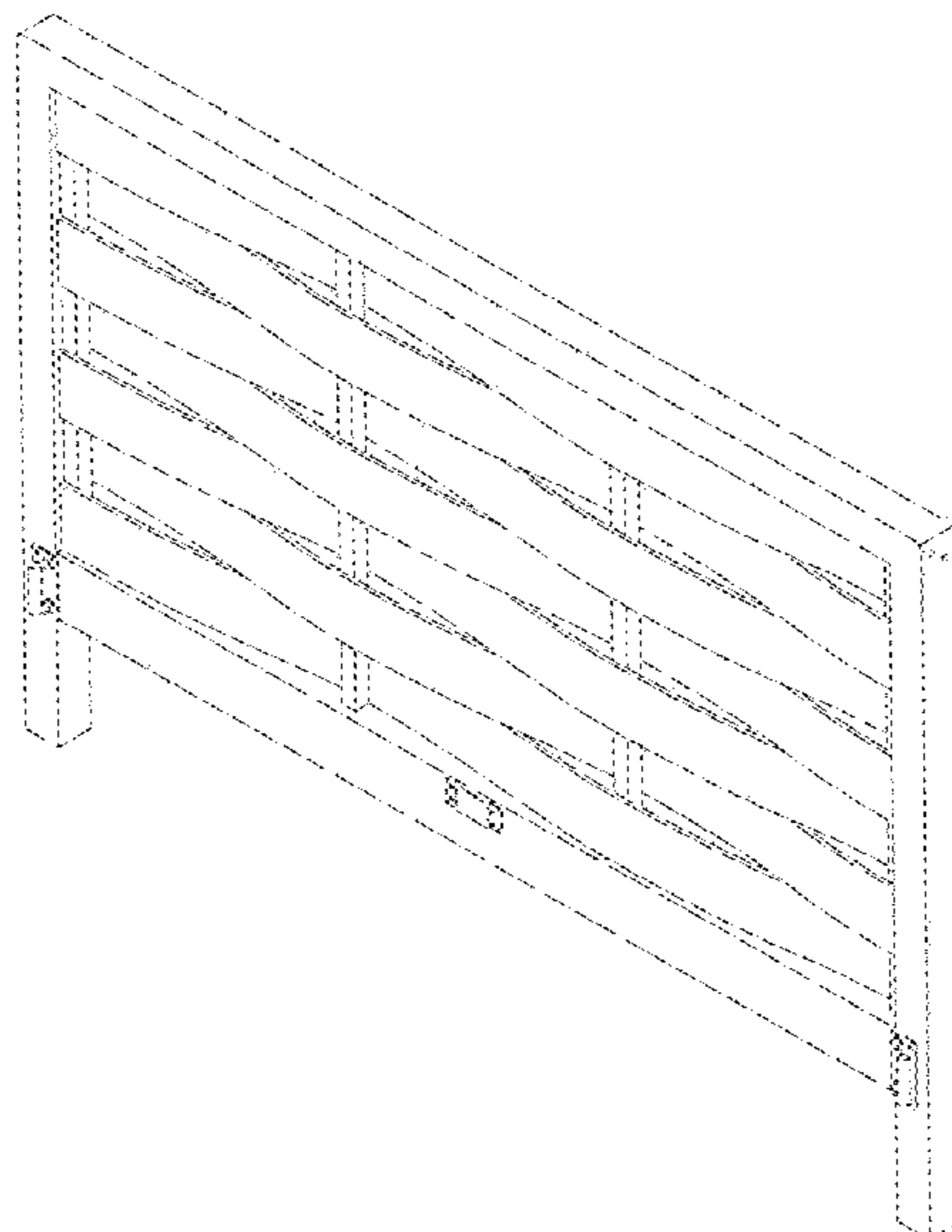
FIG. 7 is a right side perspective view of the front thereof,

FIG. 8 is a left side perspective view of the front thereof,

FIG. 9 is a right side perspective view of the rear thereof; and,

FIG. 10 is a left side perspective view of the rear thereof.

**1 Claim, 10 Drawing Sheets**



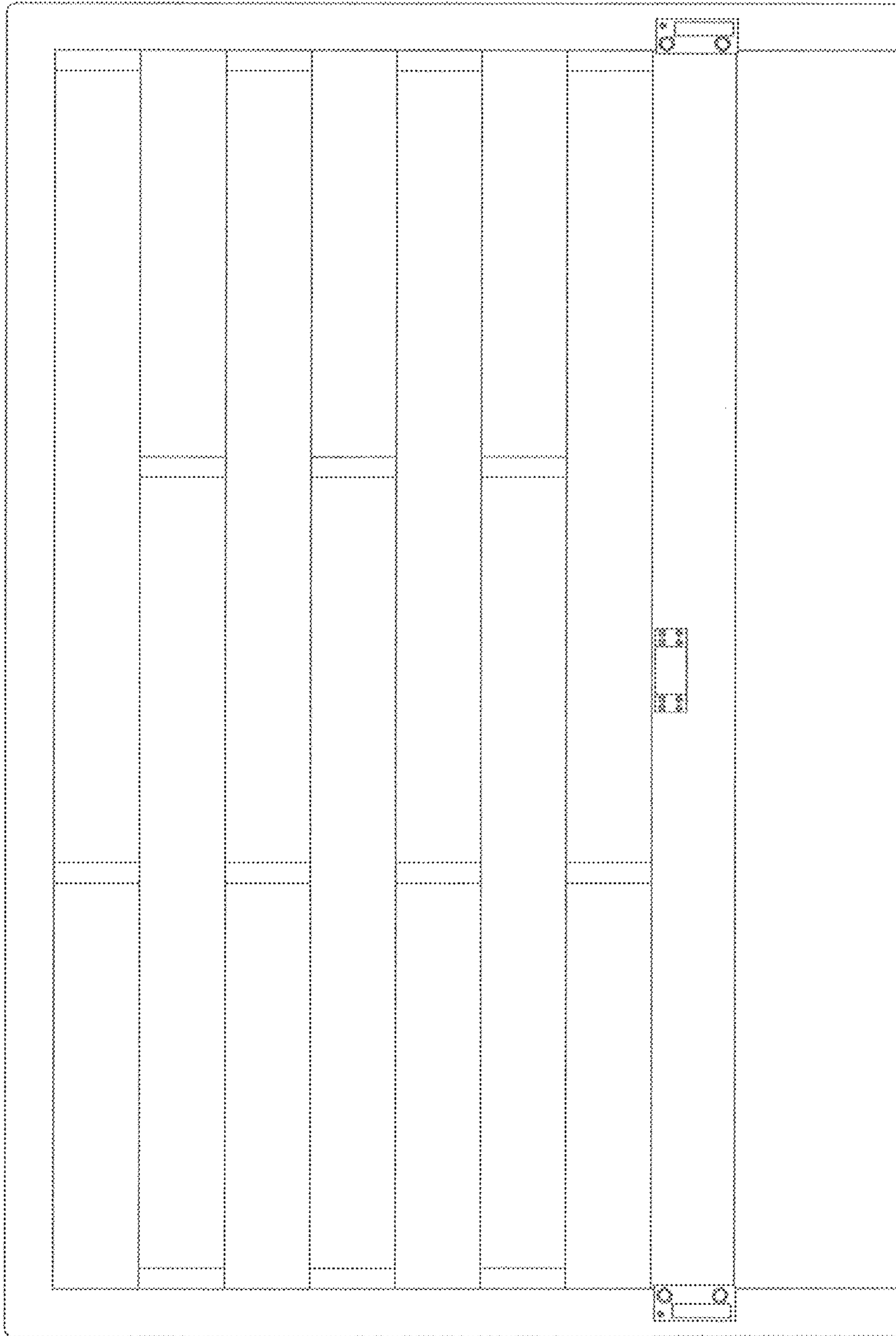
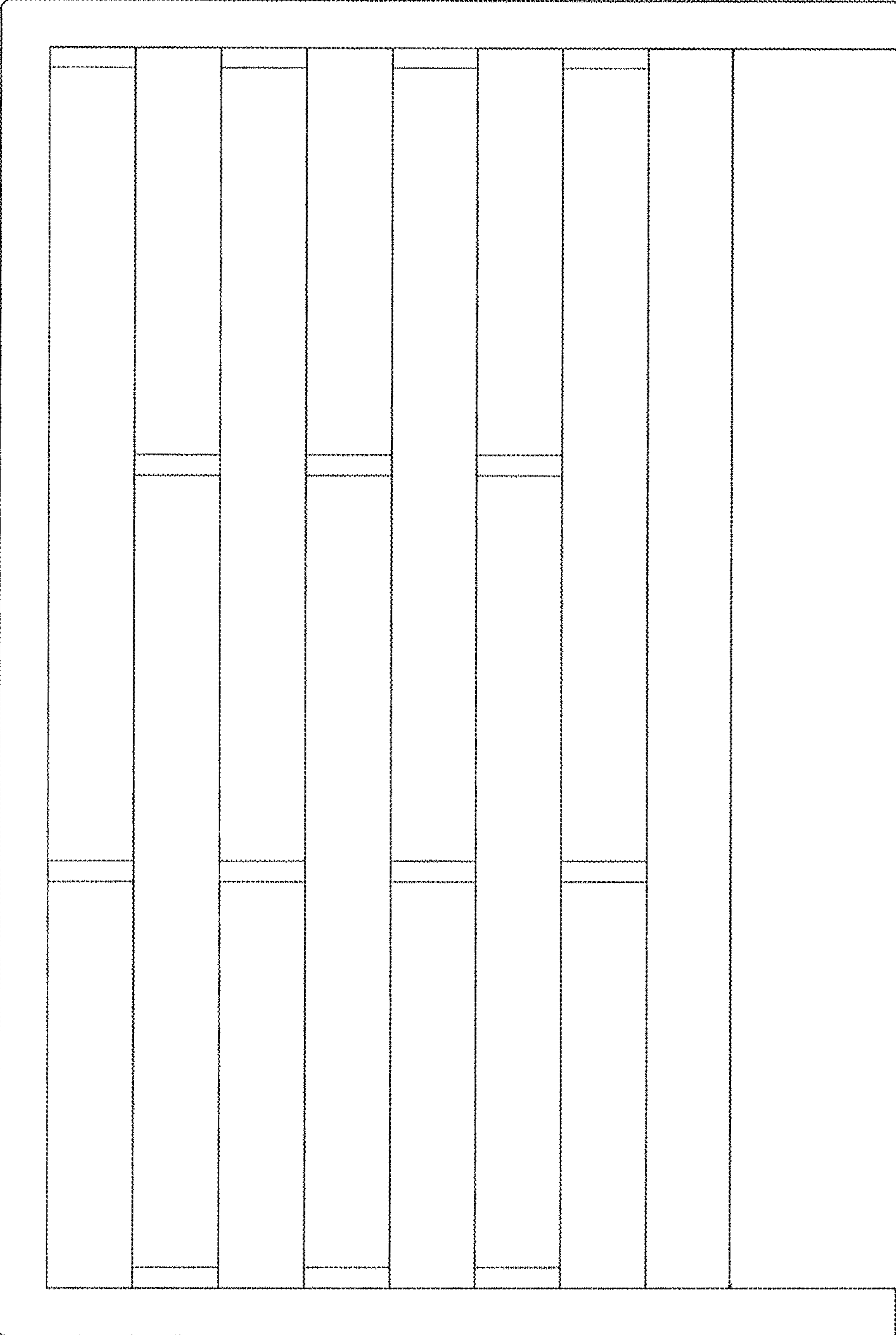


FIG. 1



**FIG. 2**



**FIG. 3**

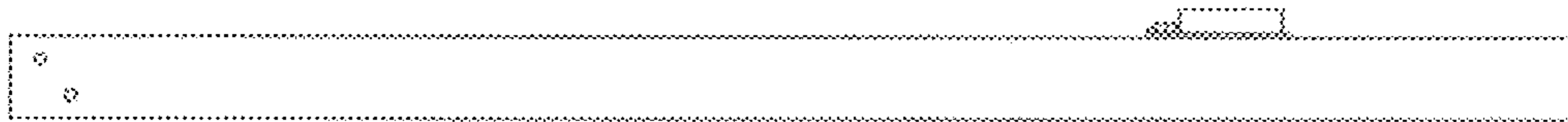
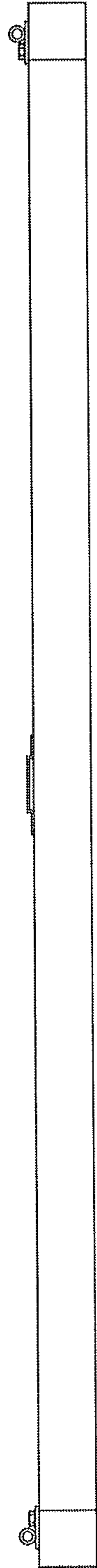


FIG. 4



**FIG. 5**



**FIG. 6**

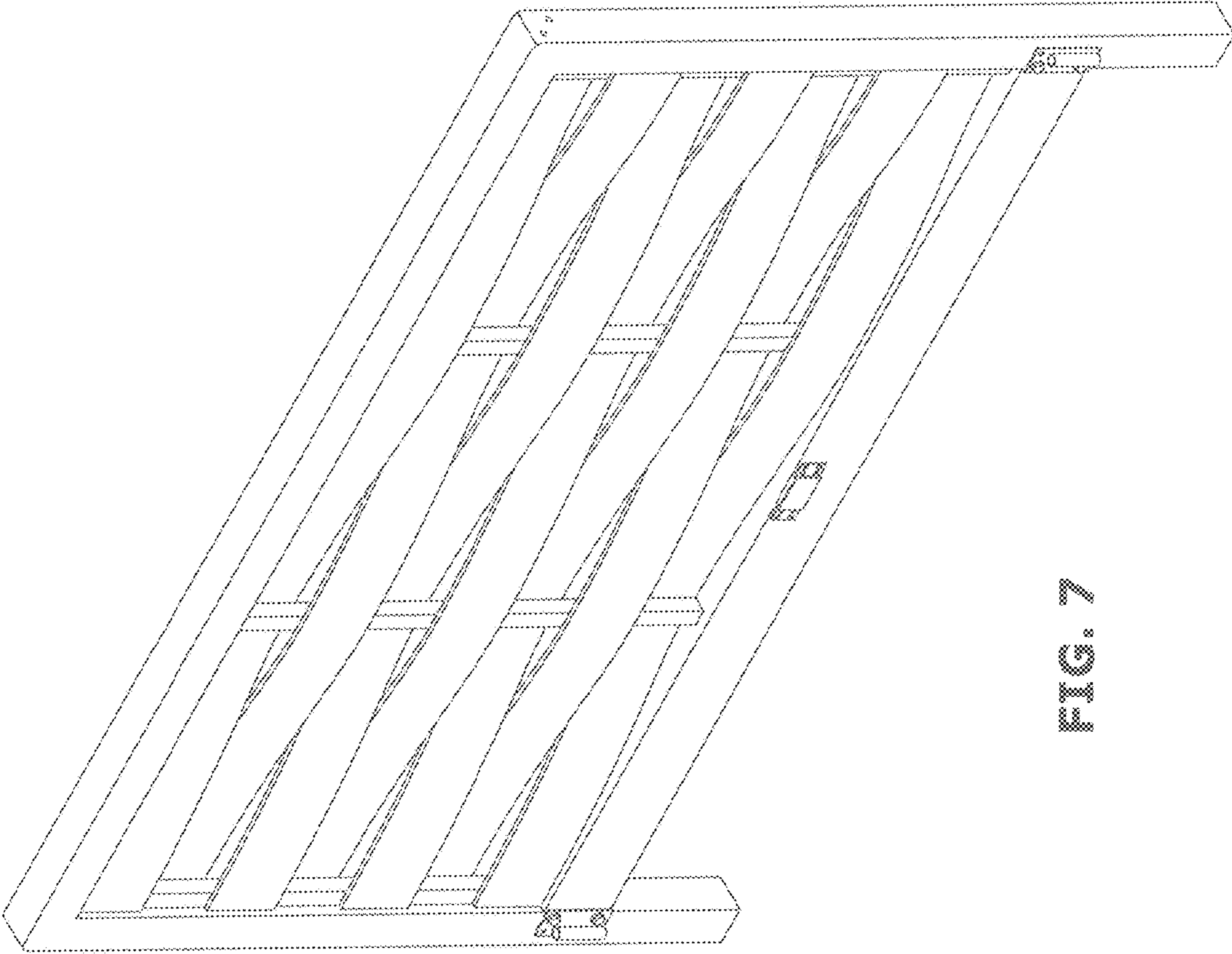


FIG. 7



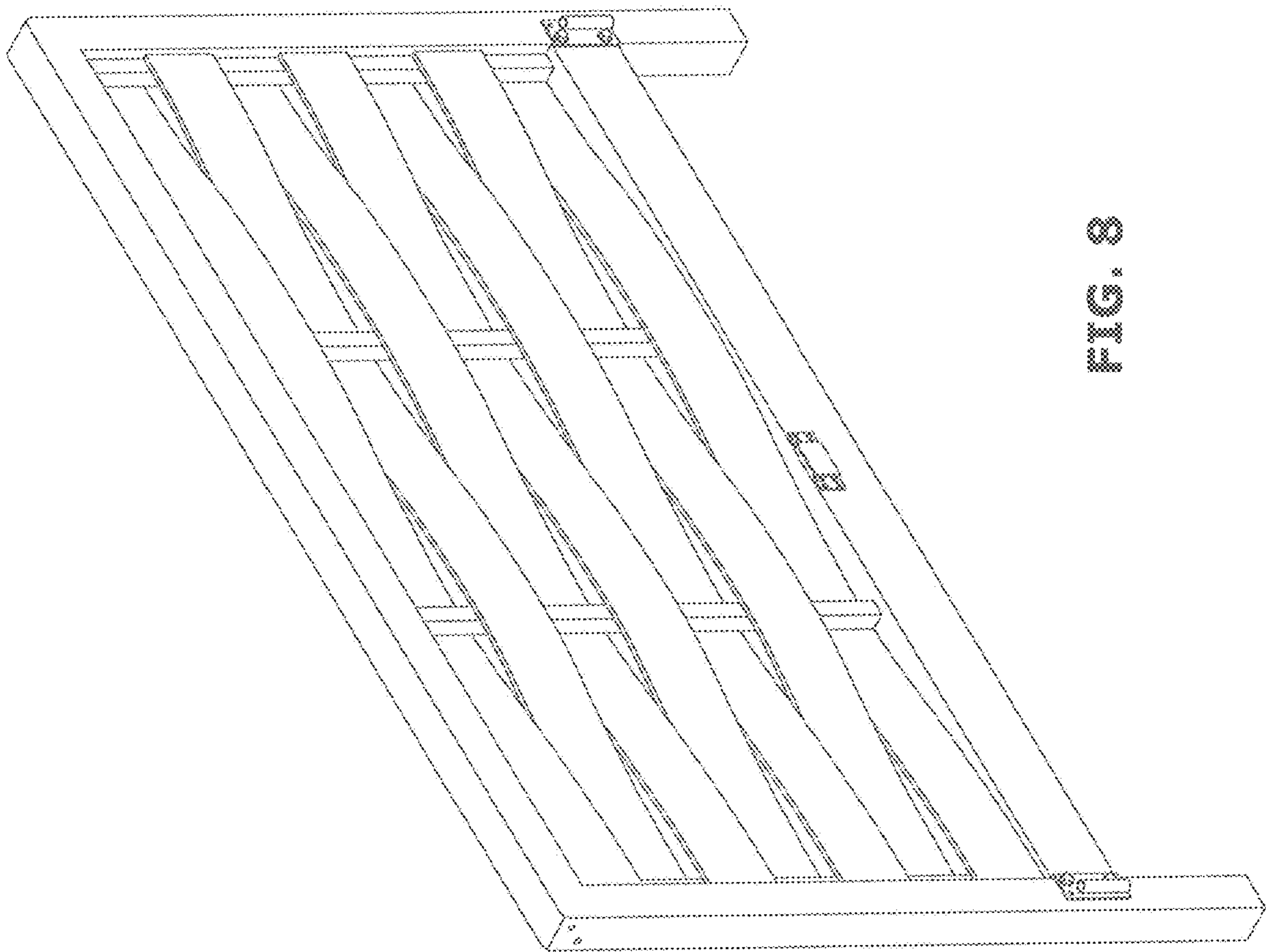


FIG. 8

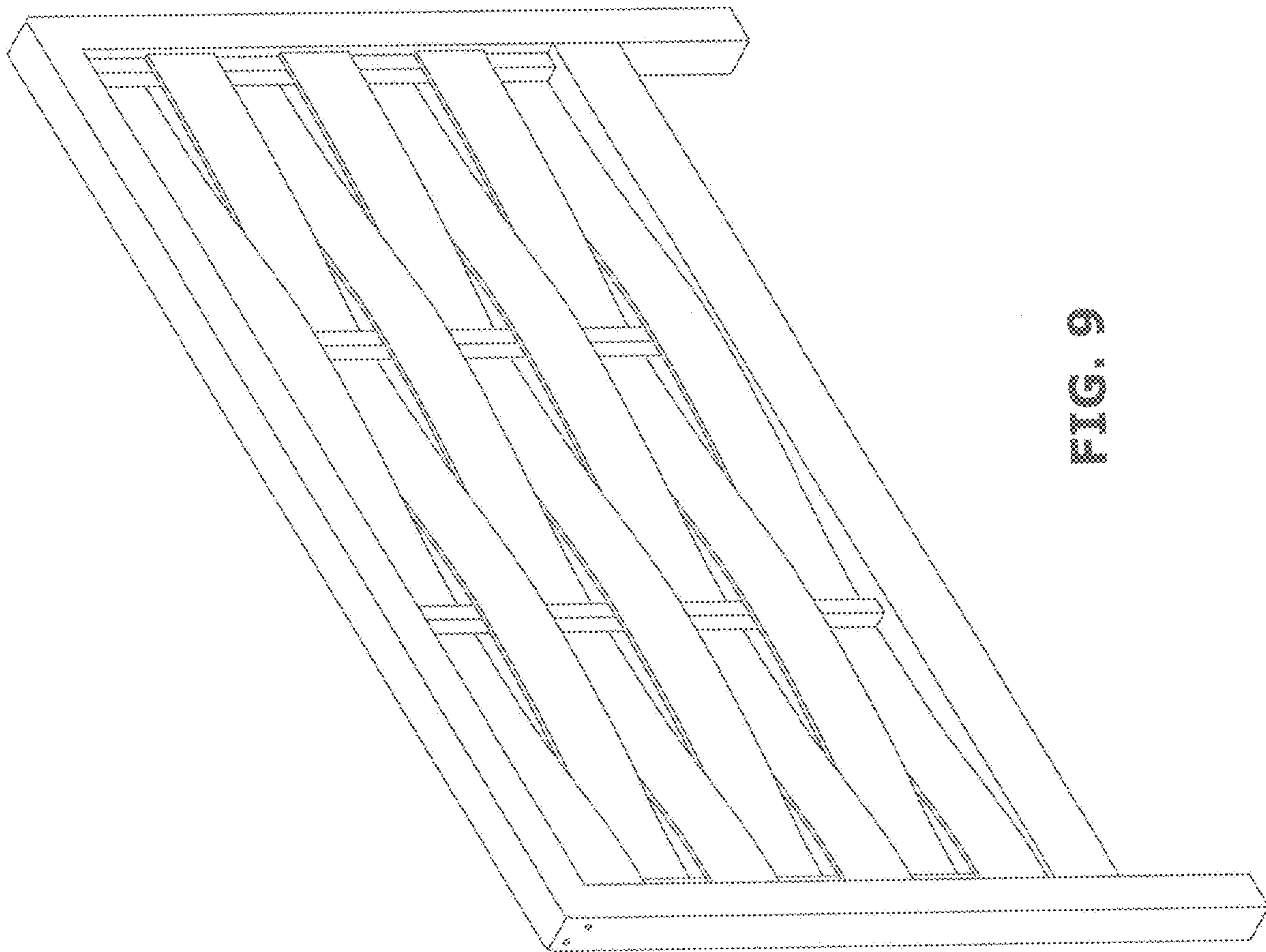


FIG. 9

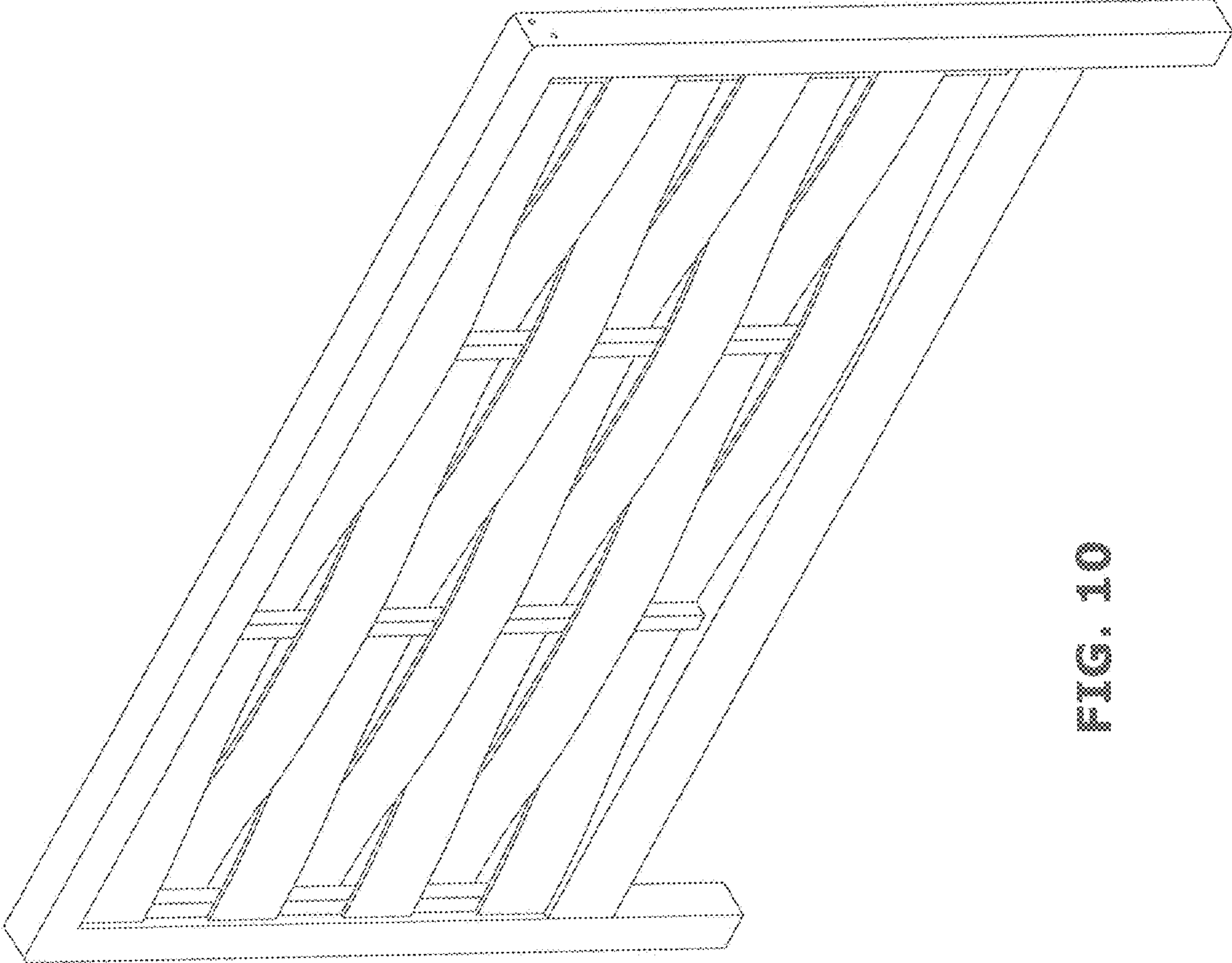


FIG. 10