



US00D881619S

(12) **United States Design Patent**  
**Itou**

(10) **Patent No.:** **US D881,619 S**  
(45) **Date of Patent:** **\*\* Apr. 21, 2020**

- (54) **TABLE**
- (71) Applicant: **Okamura Corporation**, Yokohama-shi, Kanagawa (JP)
- (72) Inventor: **Masaru Itou**, Yokohama (JP)
- (73) Assignee: **Okamura Corporation**, Yokohama-shi, Kanagawa (JP)
- (\*\*) Term: **15 Years**
- (21) Appl. No.: **29/655,644**
- (22) Filed: **Jul. 5, 2018**
- (30) **Foreign Application Priority Data**

- Jan. 5, 2018 (JP) ..... 2018-000046
- (51) **LOC (12) Cl.** ..... **06-06**
- (52) **U.S. Cl.**  
USPC ..... **D6/708.17; D6/656.15**
- (58) **Field of Classification Search**  
USPC ..... D6/641, 642, 656.15–656.17, 702, 708, D6/708.16, 708.17, 708.21, 708.22, D6/708.25, 709, 709.16  
CPC .... A47B 7/00; A47B 9/00; A47B 9/02; A47B 9/04; A47B 9/01; A47B 9/12; A47B 9/20; A47B 13/00; A47B 13/003; A47B 13/02; A47B 13/04; A47B 13/06; A47B 13/08; A47B 21/00; A47B 2200/0001; A47B 2200/0011; A47B 2200/002; A47B 2200/0035; A47B 2200/005; A47B 2200/0051; A47B 2200/0052; A47B 2200/0054  
See application file for complete search history.

(56) **References Cited**

**U.S. PATENT DOCUMENTS**

- 4,570,547 A \* 2/1986 Colby ..... A47B 9/04 108/141
- 4,604,955 A \* 8/1986 Fleischer ..... A47B 9/04 108/106

- 5,598,789 A \* 2/1997 Jonker ..... A47B 9/12 108/147
- D454,454 S \* 3/2002 Hamilton ..... A47B 9/04 D6/708
- D833,182 S \* 11/2018 Yamamoto ..... A47B 9/04 D6/656.17
- 2018/0132608 A1\* 5/2018 Benden ..... A47B 97/00

\* cited by examiner

*Primary Examiner* — Mary Ann Calabrese

(74) *Attorney, Agent, or Firm* — Banner & Witcoff, Ltd.

(57) **CLAIM**

The ornamental design for a table, as shown and described.

**DESCRIPTION**

FIG. 1 is a perspective view of a table showing my new design;  
 FIG. 2 is a front view thereof, a rear view thereof being identical;  
 FIG. 3 is a right side view thereof, a left view thereof being identical;  
 FIG. 4 is a bottom view thereof;  
 FIG. 5 is an enlarged cross-sectional view taken along the line 5-5 in FIG. 2 in which the internal structure is omitted thereof;  
 FIG. 6 is an enlarged cross-sectional view taken along the line 6-6 in FIG. 4 in which the internal structure is omitted thereof;  
 FIG. 7 is an enlarged cross-sectional view taken along the line 7-7 in FIG. 4; and,  
 FIG. 8 is a perspective view thereof showing an alternative position.  
 The broken lines shown in the drawings illustrate portions of the table that form no part of the claimed design. The top view is excluded as it depicts only environmental subject matter.

**1 Claim, 5 Drawing Sheets**

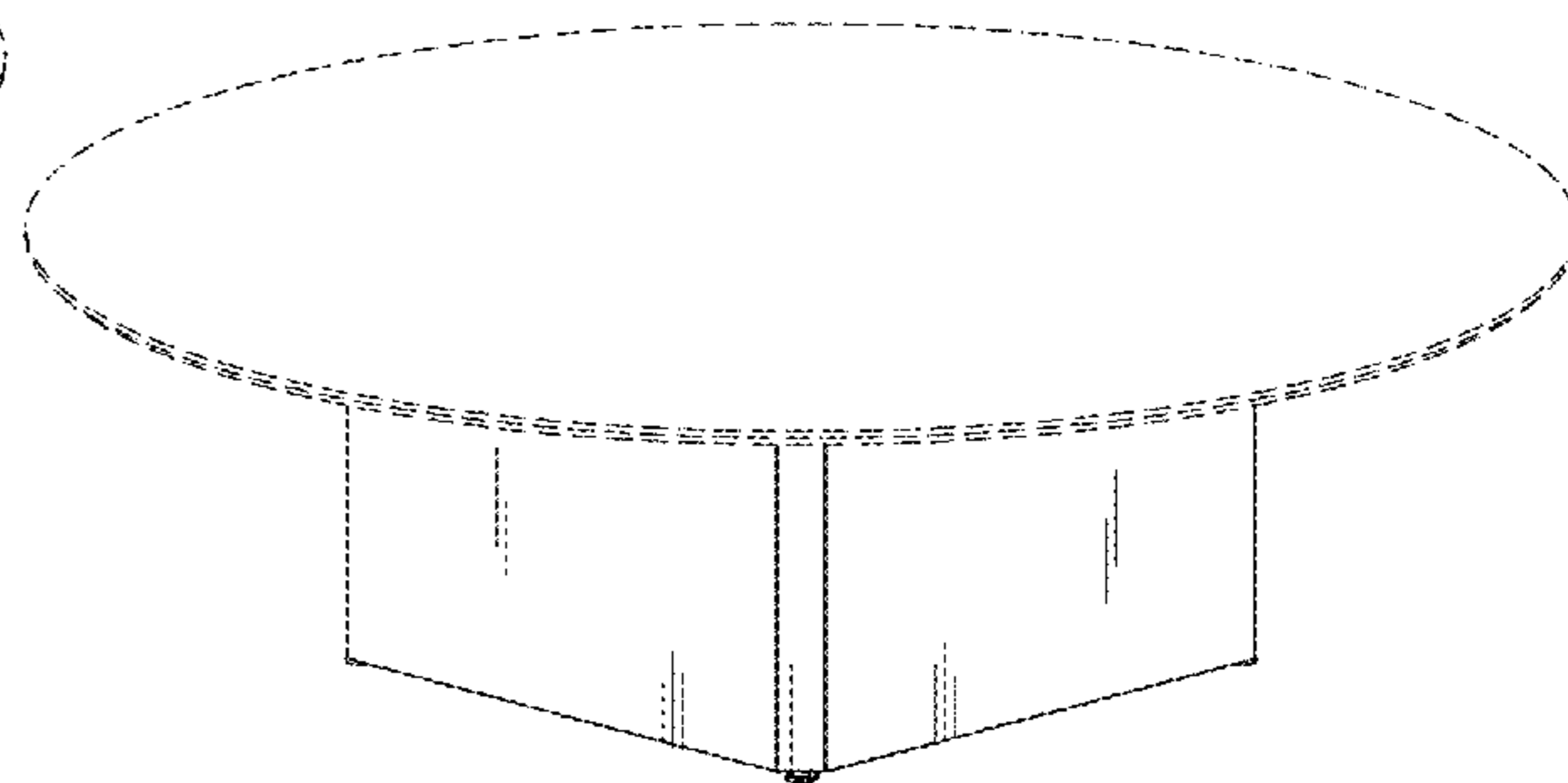
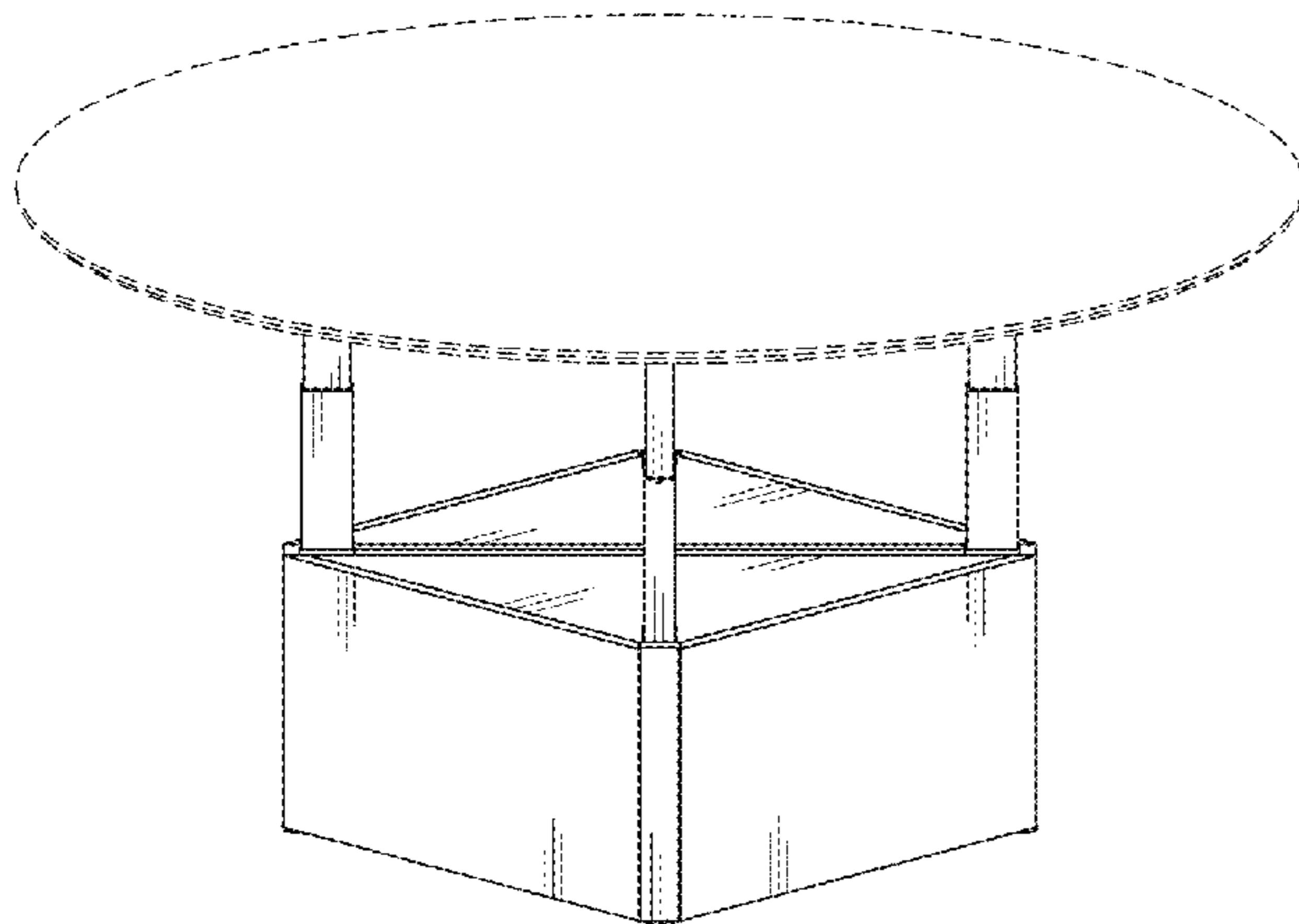


Fig. 1

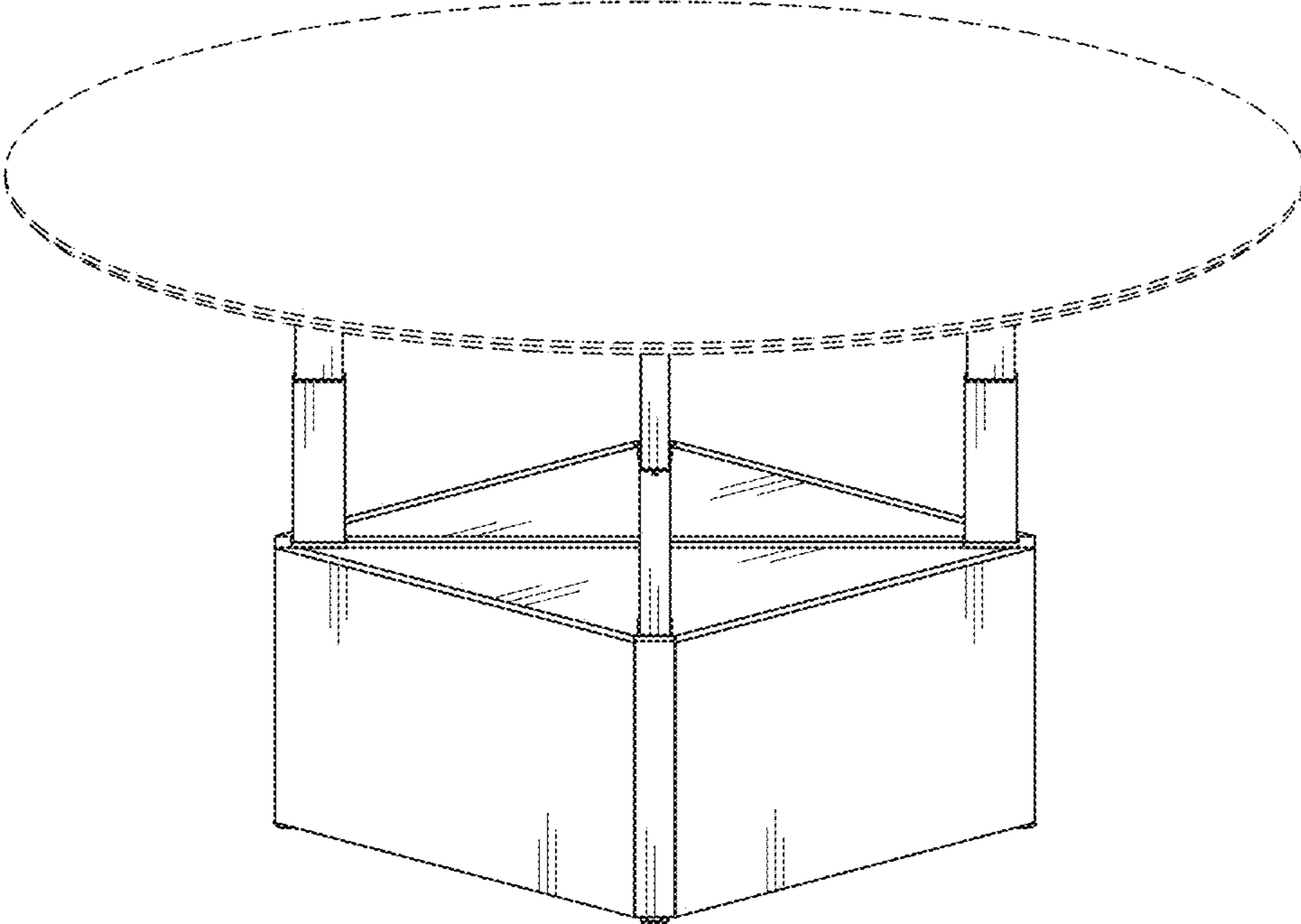


Fig. 2

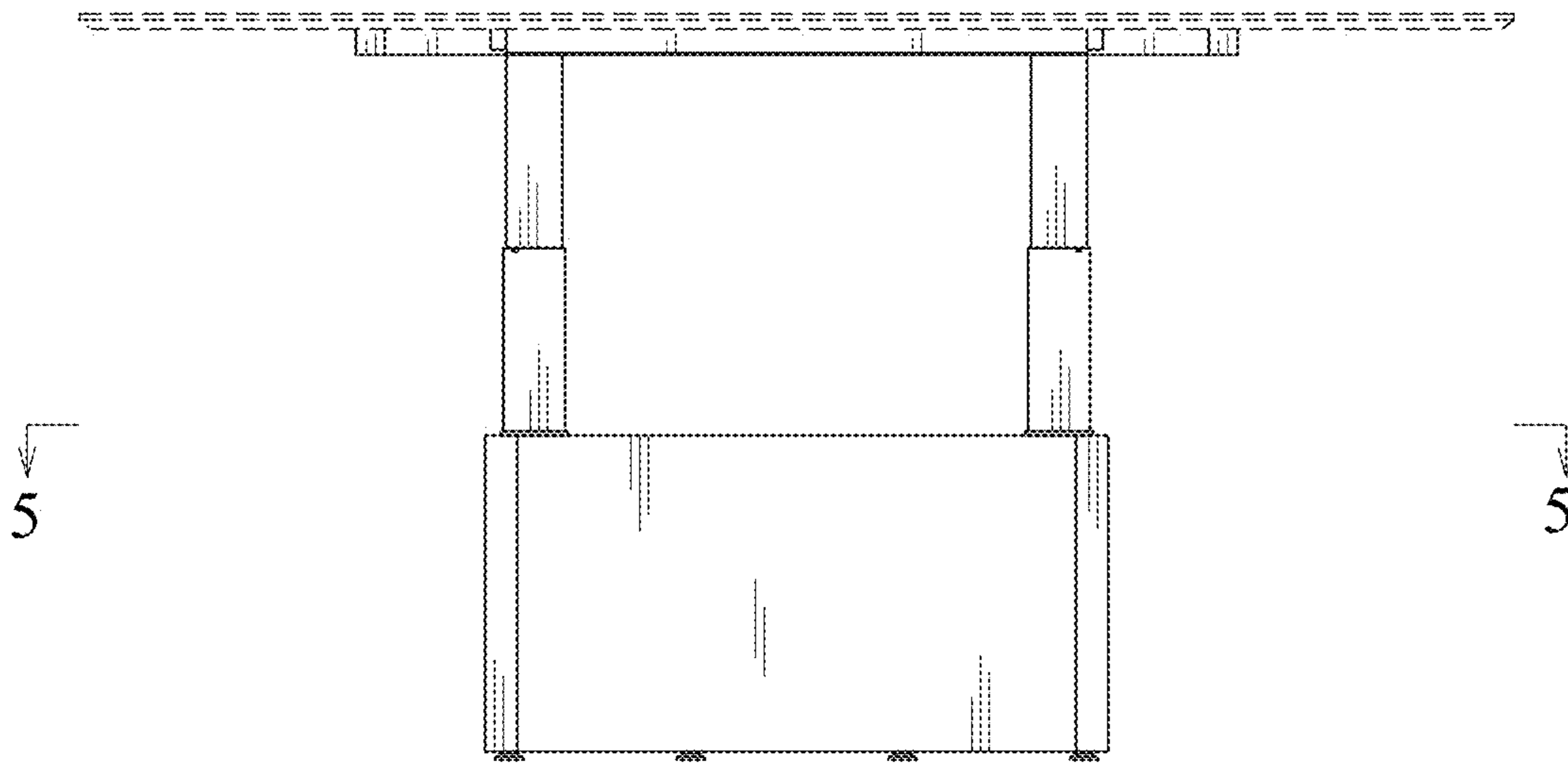


Fig. 3

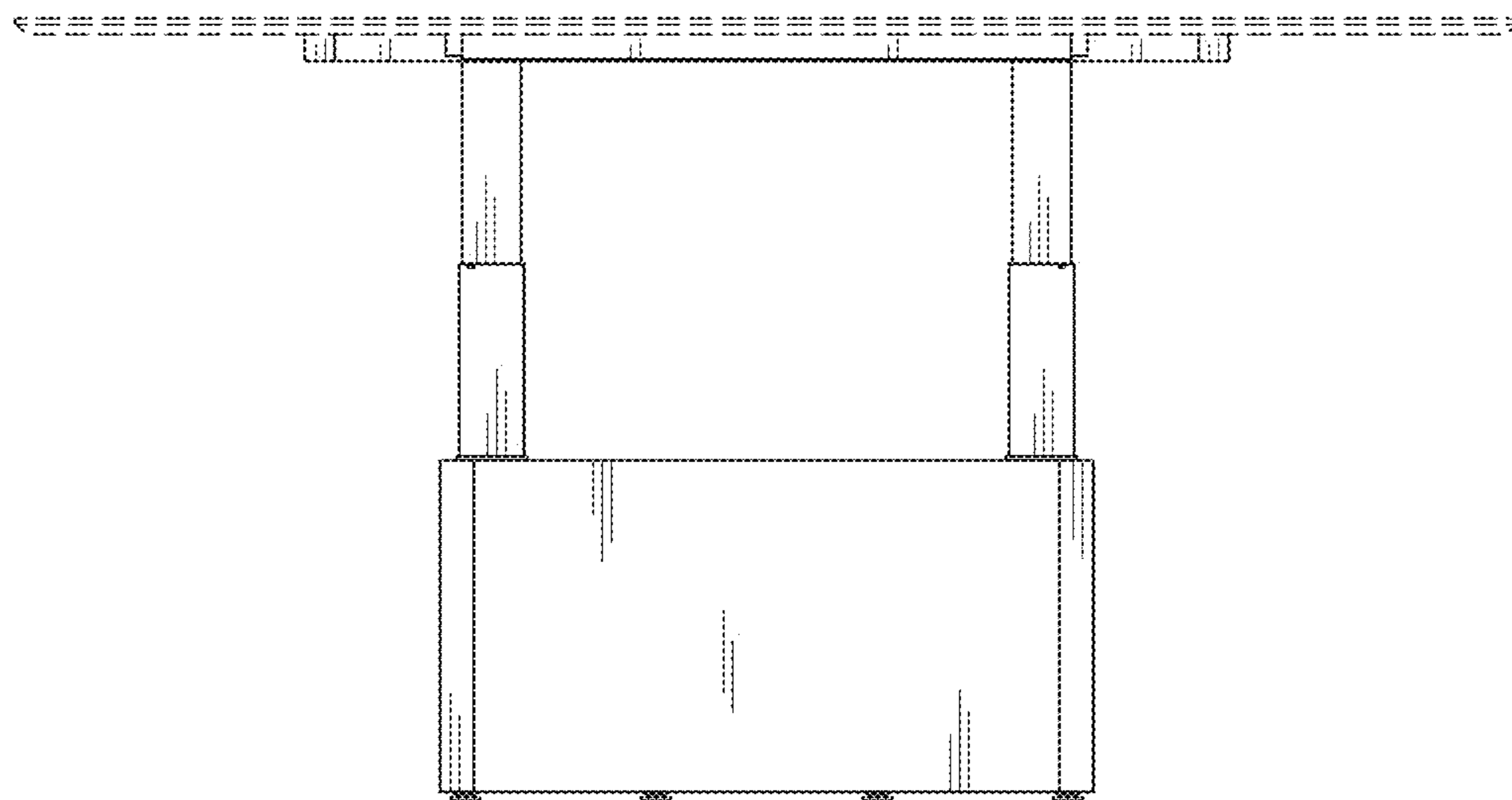


Fig. 4

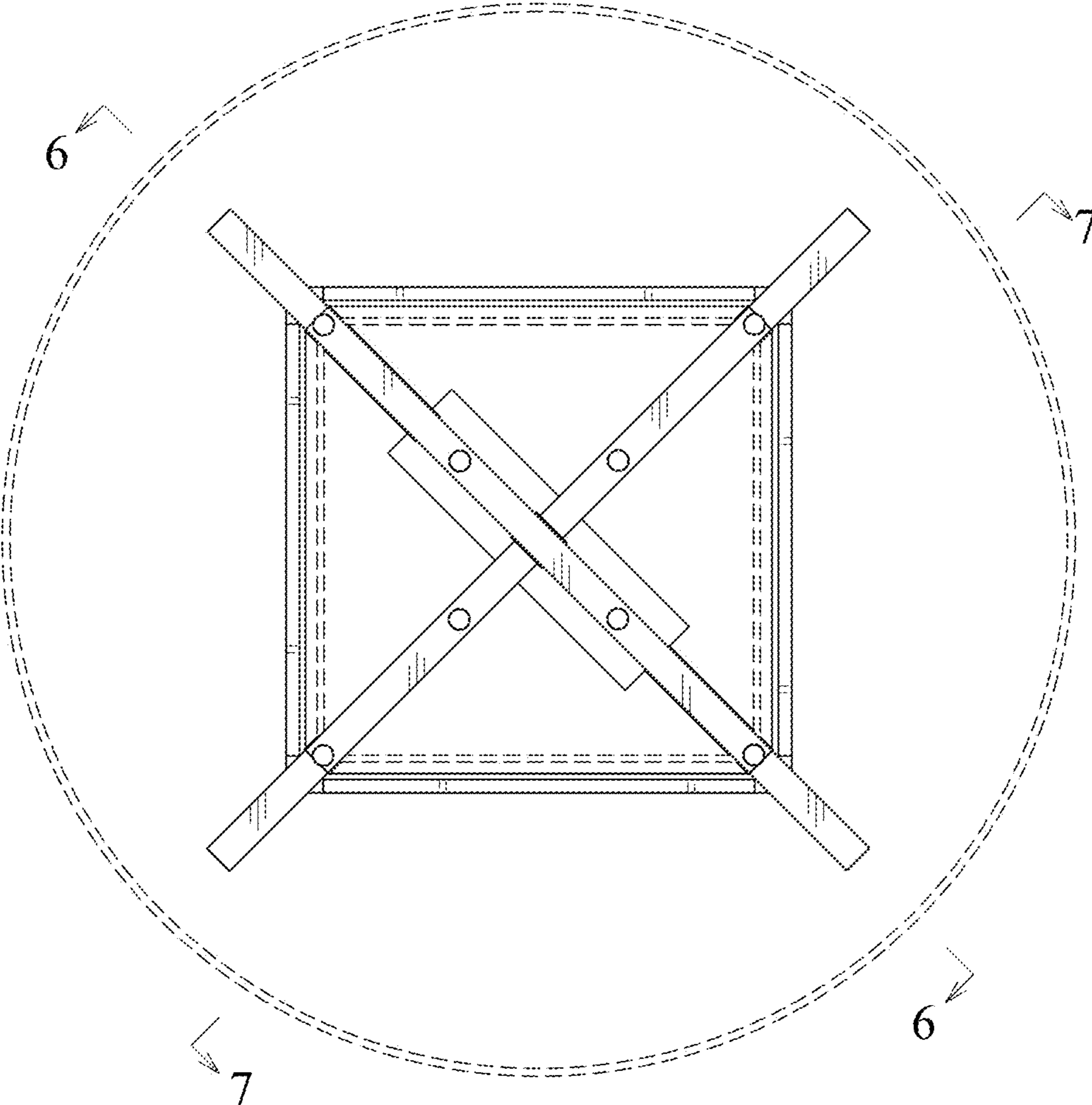


Fig. 5

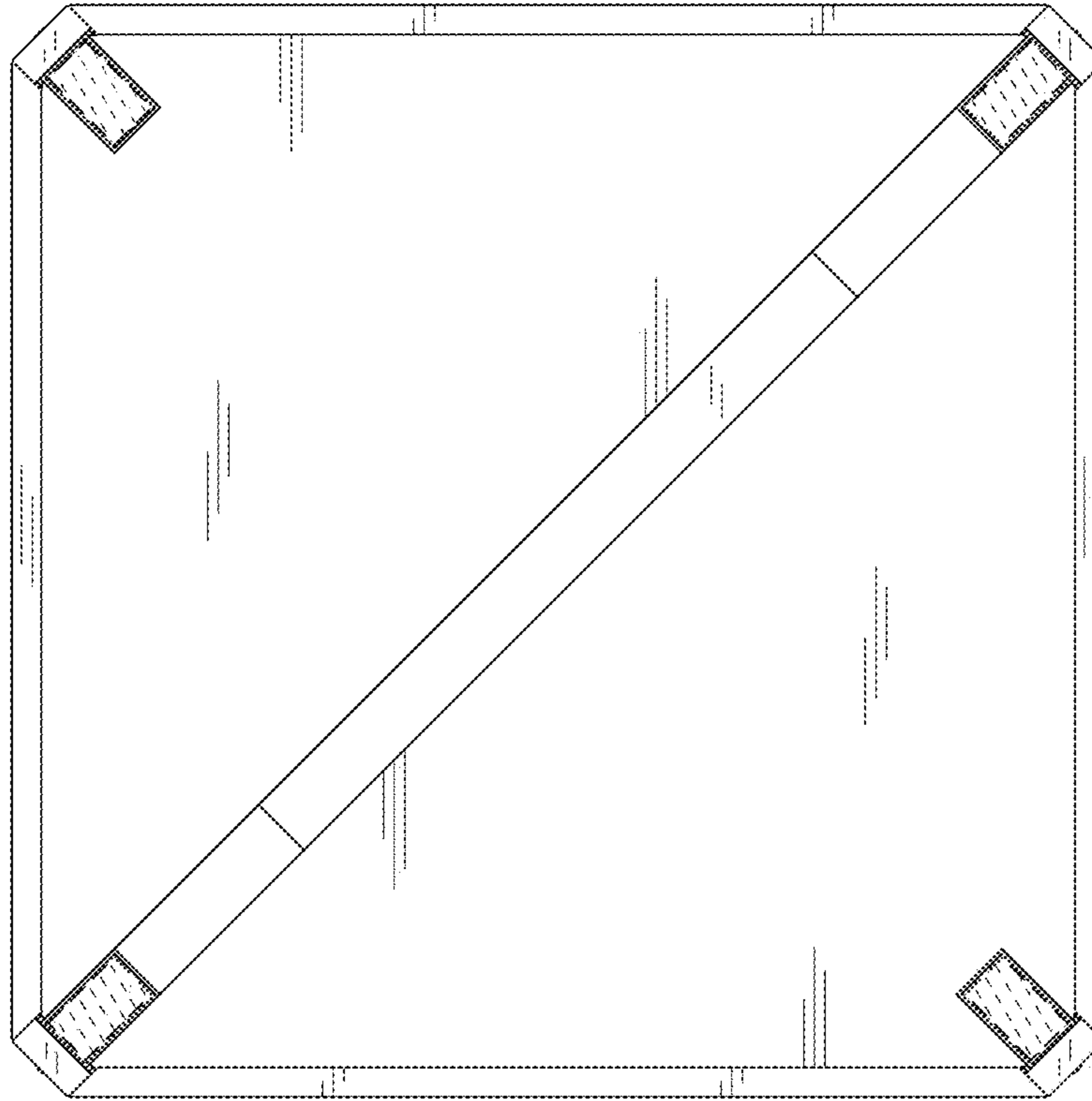


Fig. 6

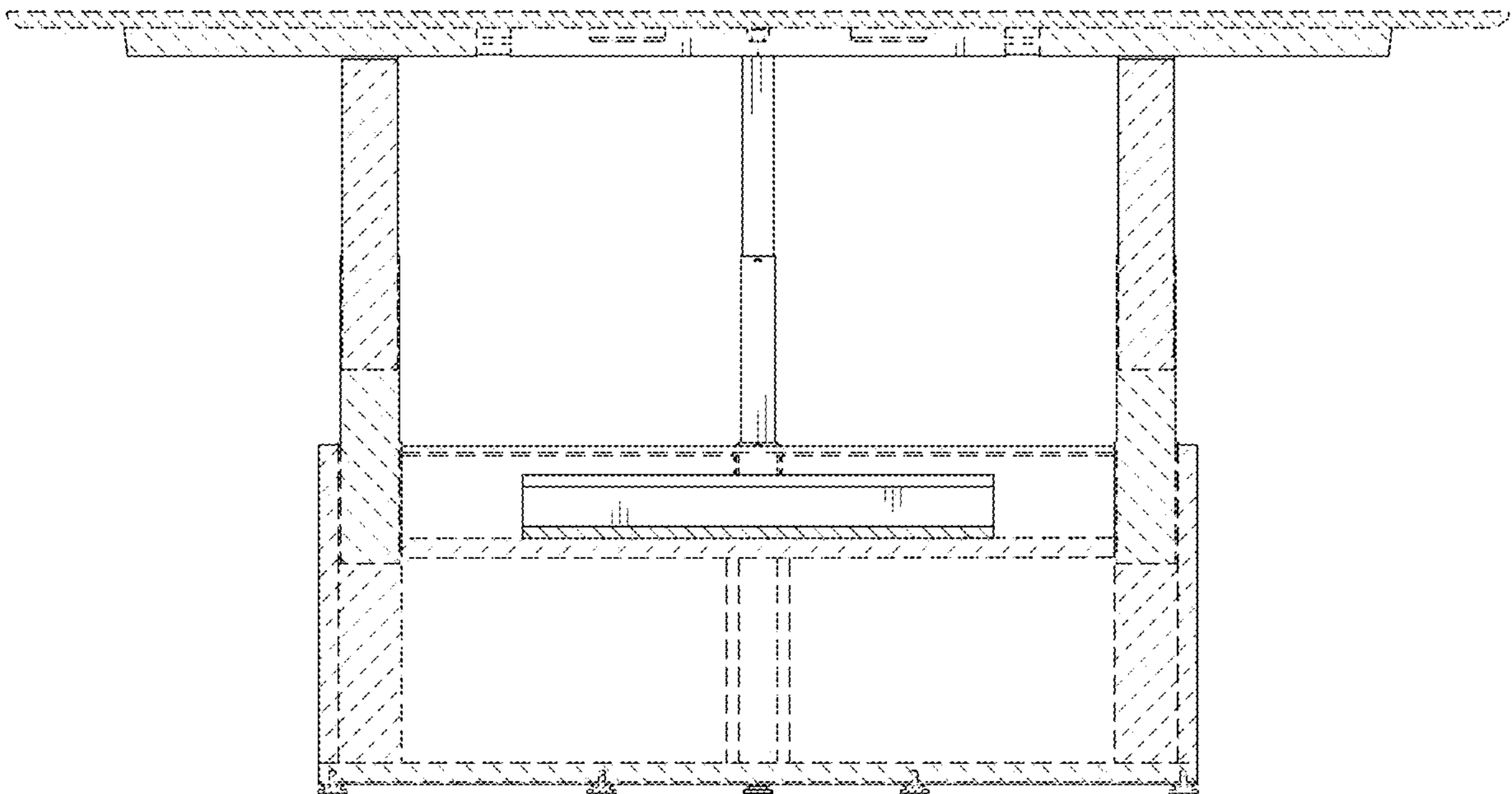




Fig. 7

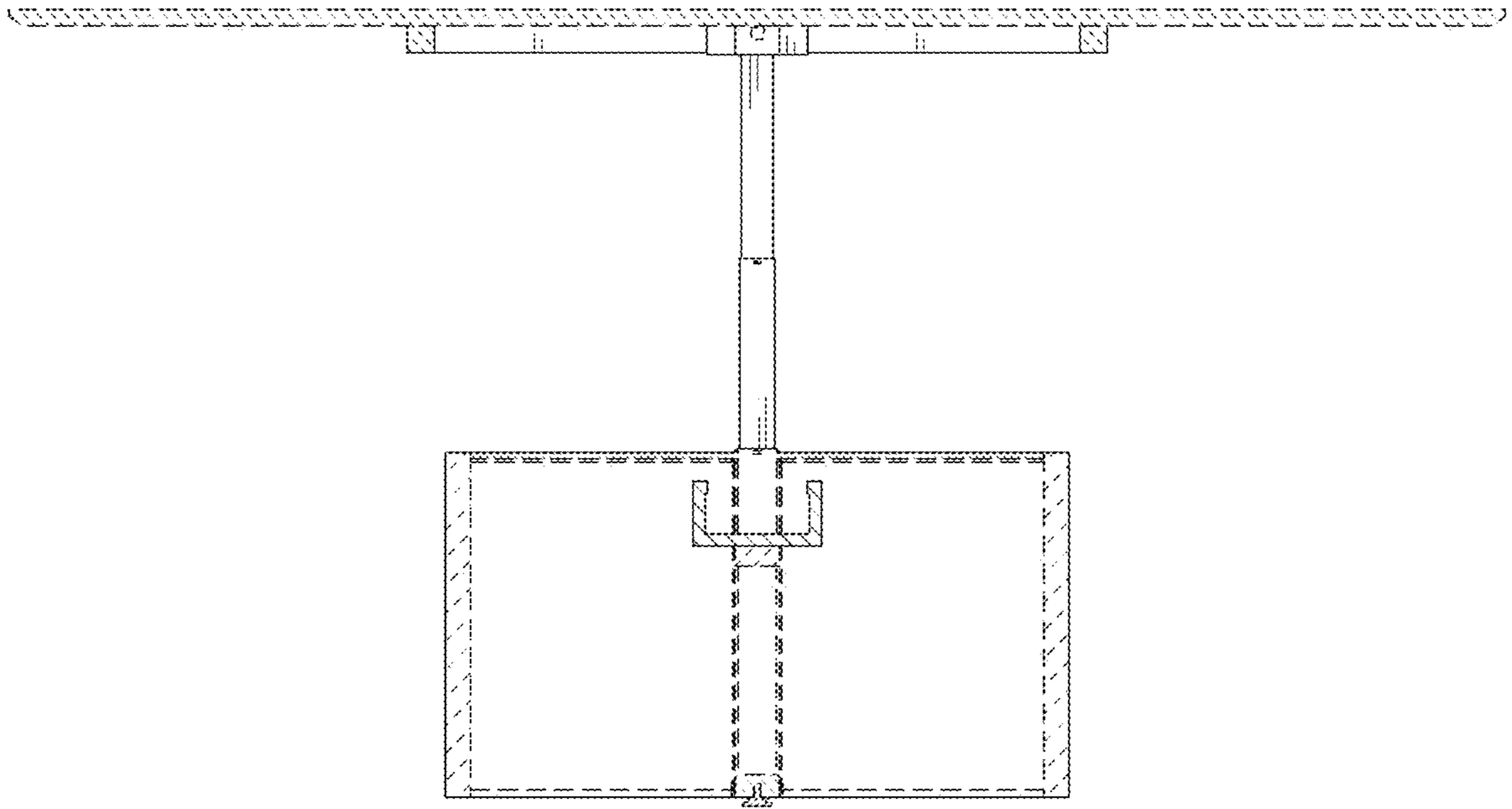


Fig. 8

