



US00D881618S

(12) **United States Design Patent**
Schwarzmann et al.

(10) **Patent No.:** **US D881,618 S**
(45) **Date of Patent:** **** Apr. 21, 2020**

(54) **DRAWER PART**

(71) Applicant: **Julius Blum GmbH**, Hoechst (AT)

(72) Inventors: **Guenther Schwarzmann**, Dornbirn (AT); **Markus Irgang**, Altach (AT)

(73) Assignee: **Julius Blum GmbH**, Hoechst (AT)

(**) Term: **15 Years**

(21) Appl. No.: **29/654,187**

(22) Filed: **Jun. 21, 2018**

(30) **Foreign Application Priority Data**

Dec. 22, 2017 (EM) 4562304-0024

(51) **LOC (12) Cl.** **06-06**

(52) **U.S. Cl.**
USPC **D6/705**

(58) **Field of Classification Search**
USPC D6/703, 703.2, 703.3, 705, 705.2, 705.4,
D6/705.5, 705.7, 707.19, 707.25, 706
CPC A47B 88/00; A47B 88/40; A47B 88/402;
A47B 88/407; A47B 88/413; A47B
88/417; A47B 88/433; A47B 88/90; A47B
88/906; A47B 88/944
See application file for complete search history.

(56) **References Cited**

U.S. PATENT DOCUMENTS

4,732,430 A * 3/1988 Byrns A47B 88/95
312/330.1
6,948,788 B1 * 9/2005 Tai A47B 88/956
312/204

D516,848 S * 3/2006 Schweikarth D6/705.5
D804,228 S * 12/2017 Scherer D6/705
D871,812 S * 1/2020 Su D6/705.4
2018/0132581 A1 * 5/2018 Garrett A45C 5/03

FOREIGN PATENT DOCUMENTS

DE 2516744 A1 * 10/1976 A47B 95/02
DE 102011120390 A1 * 10/2012 A47B 88/941
EP 2359716 A1 * 8/2011 A47B 88/463
JP 2009112481 A * 5/2009
JP 2016198448 A * 12/2016
JP 2016198449 A * 12/2016
WO WO-2009046570 A1 * 4/2009 A47B 88/9412

* cited by examiner

Primary Examiner — R. Johnson

(74) *Attorney, Agent, or Firm* — Wenderoth, Lind & Ponack, L.L.P.

(57) **CLAIM**

The ornamental design for a drawer part, as shown and described.

DESCRIPTION

FIG. 1 is a front perspective view of a drawer part;
FIG. 2 is a front view thereof;
FIG. 3 is a right side view thereof;
FIG. 4 is a left side view thereof;
FIG. 5 is a top view thereof;
FIG. 6 is a bottom view thereof;
FIG. 7 is a rear view thereof; and,
FIG. 8 is a rear perspective view thereof.

1 Claim, 8 Drawing Sheets

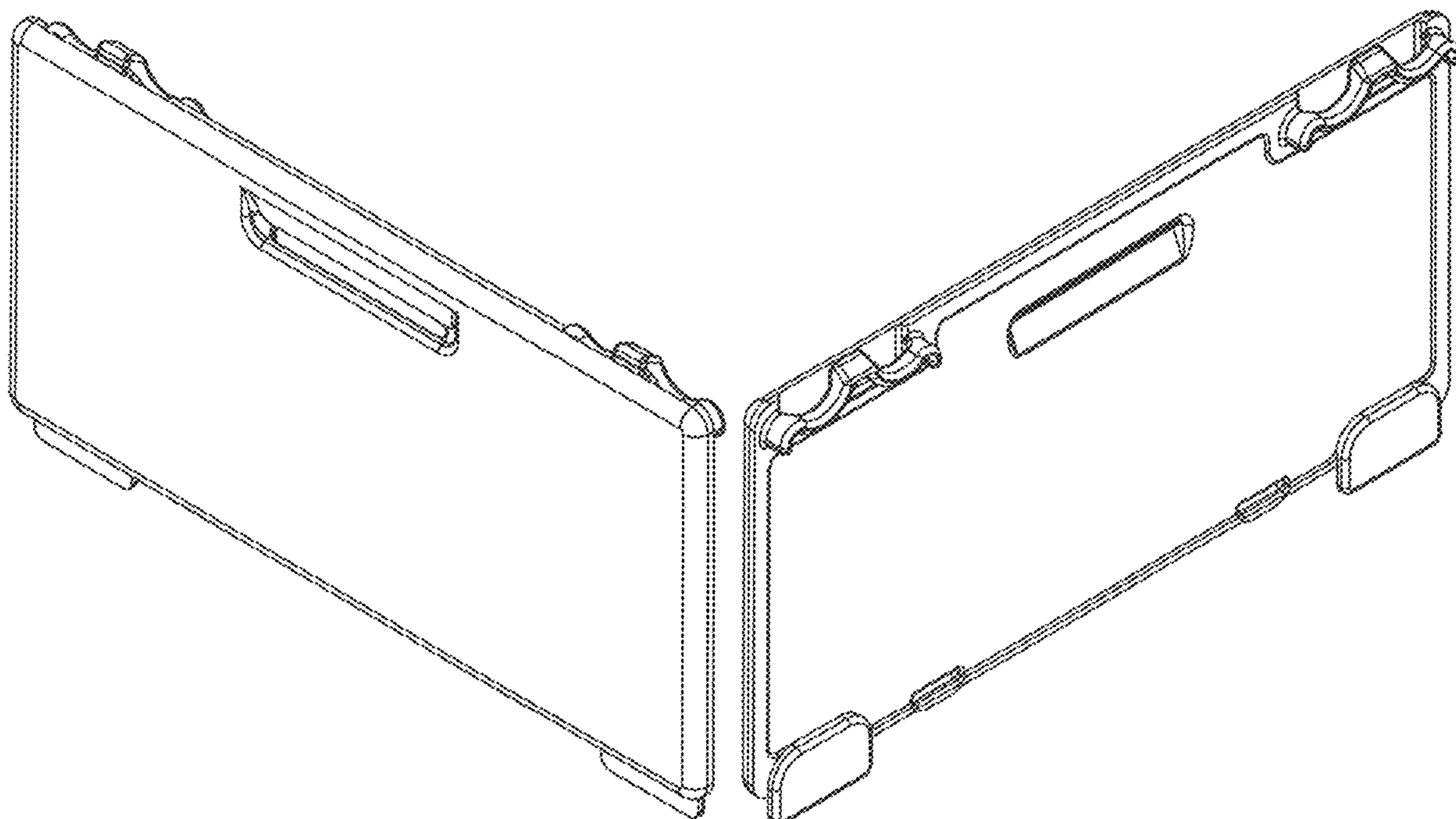


FIG. 1

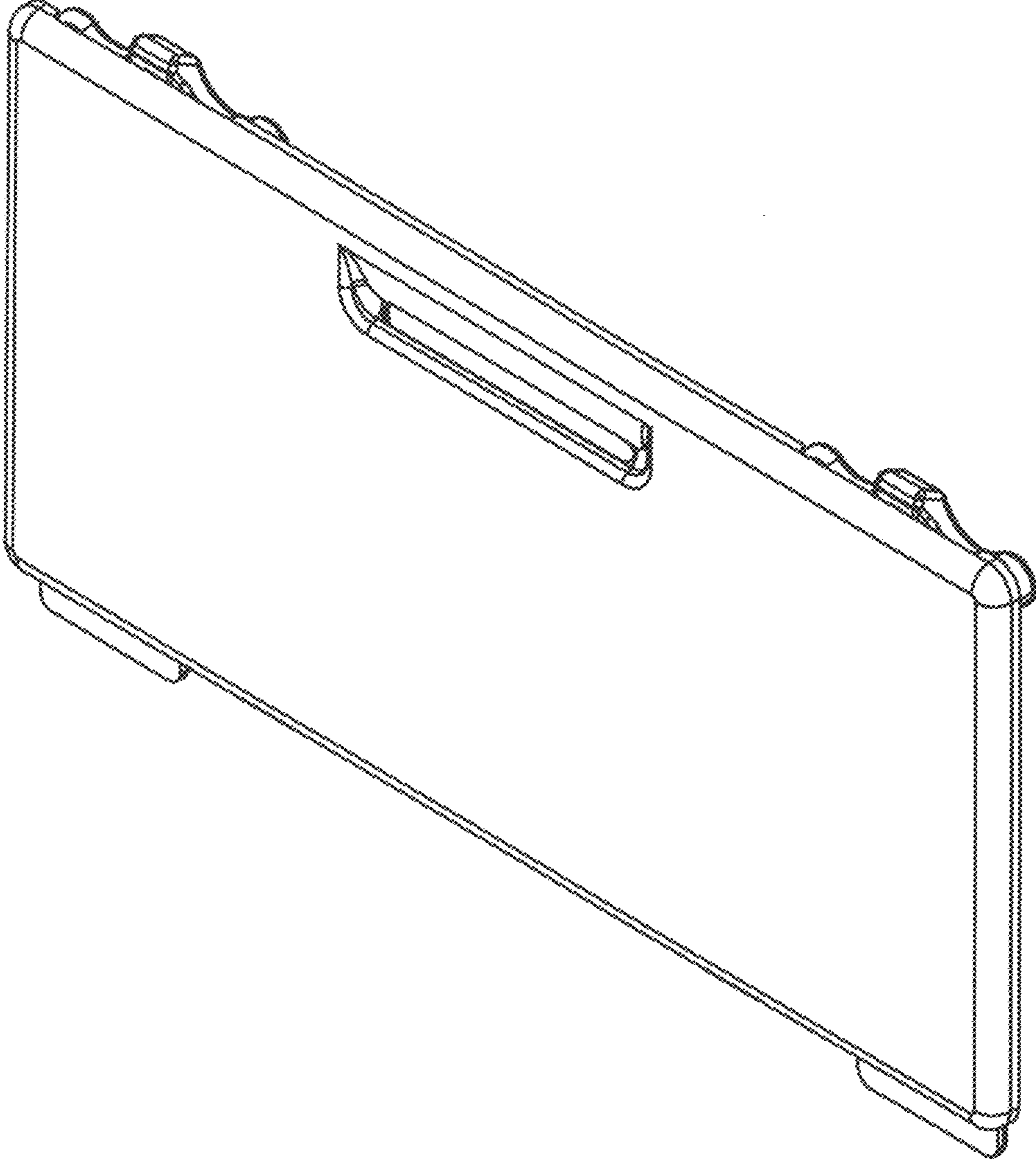


FIG. 2

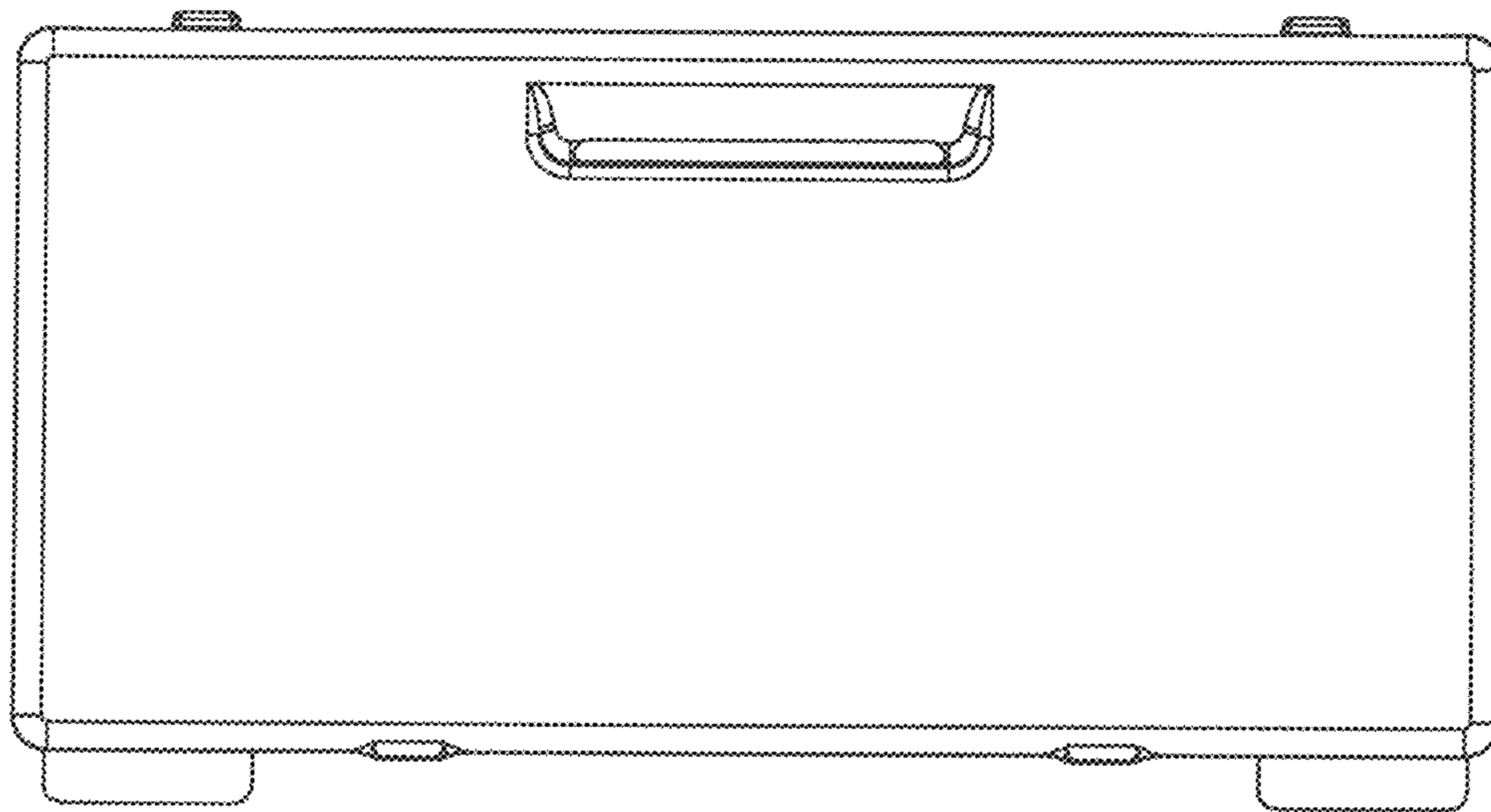


FIG. 3

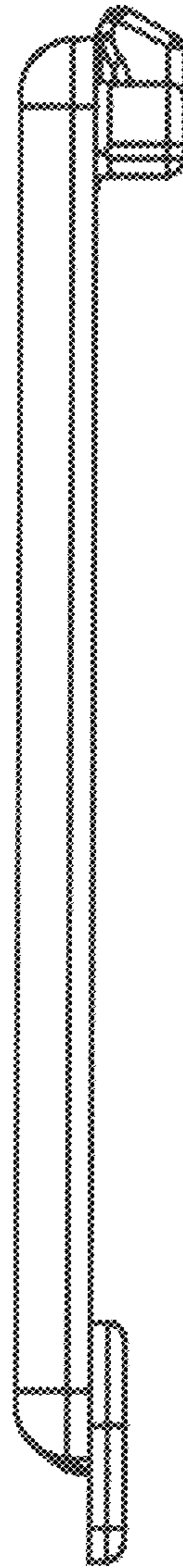


FIG. 4

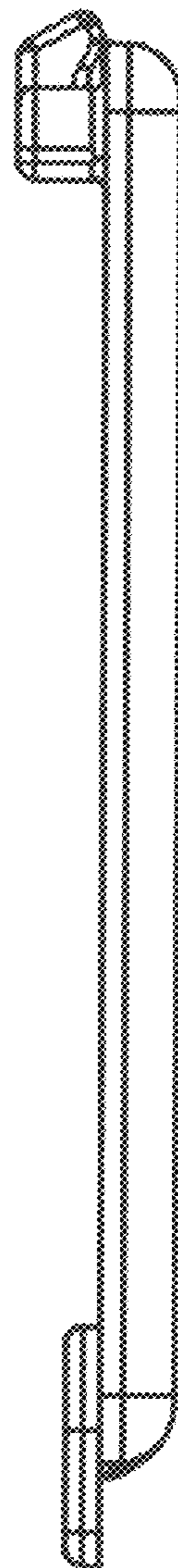


FIG. 5

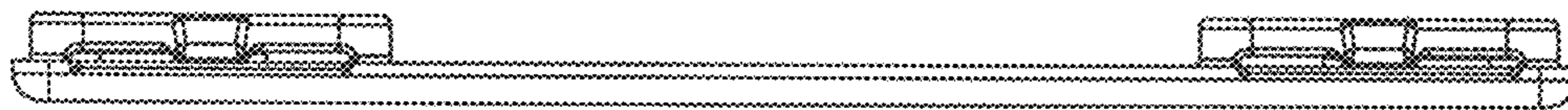


FIG. 6

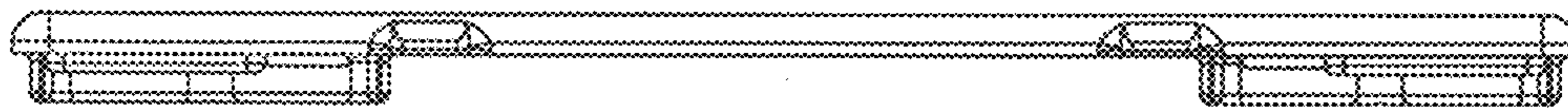


FIG. 7

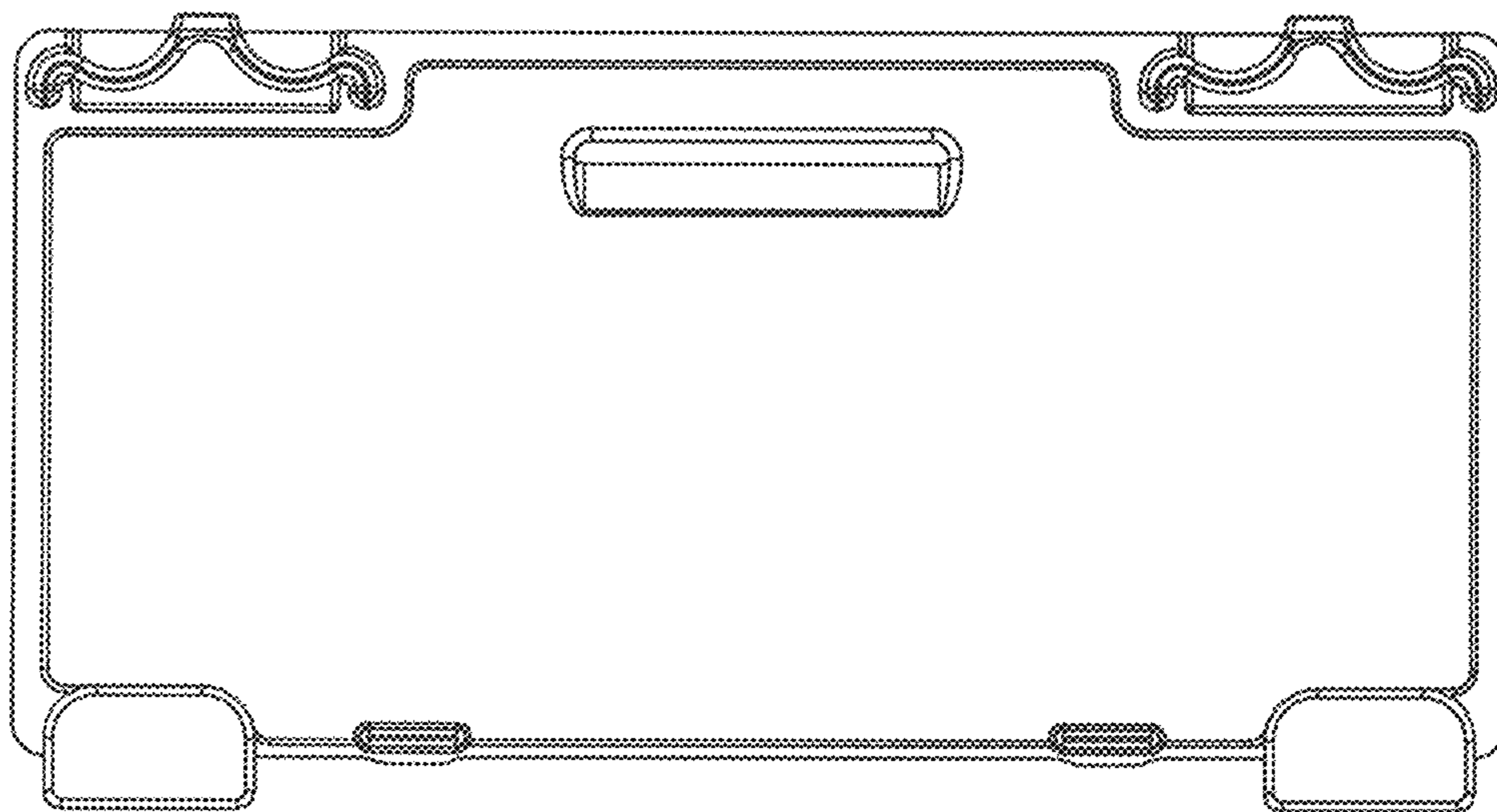


FIG. 8

