



US00D881617S

(12) **United States Design Patent** (10) **Patent No.:** **US D881,617 S**
Schwarzmann et al. (45) **Date of Patent:** **** Apr. 21, 2020**

(54) **DRAWER PART**
(71) Applicant: **Julius Blum GmbH**, Hoechst (AT)
(72) Inventors: **Guenter Schwarzmann**, Dornbirn (AT); **Markus Irgang**, Altach (AT)
(73) Assignee: **Julius Blum GmbH**, Hoechst (AT)
(**) Term: **15 Years**
(21) Appl. No.: **29/653,840**
(22) Filed: **Jun. 19, 2018**
(30) **Foreign Application Priority Data**

Dec. 22, 2017 (EM) 4562304-0026

(51) **LOC (12) Cl.** **06-06**

(52) **U.S. Cl.**
USPC **D6/705**

(58) **Field of Classification Search**
USPC D6/703, 703.2, 703.3, 705, 705.2, 705.4, D6/705.5, 705.7, 707.19, 707.25, 706
CPC A47B 88/00; A47B 88/40; A47B 88/402; A47B 88/407; A47B 88/413; A47B 88/417; A47B 88/433; A47B 88/90; A47B 88/906; A47B 88/944
See application file for complete search history.

(56) **References Cited**

U.S. PATENT DOCUMENTS

8,297,724 B2 * 10/2012 Hammerle A47B 88/956 312/265.5
8,324,842 B2 * 12/2012 Gasser A47B 88/457 318/14

8,534,781 B2 * 9/2013 Netzer E05B 65/46 312/331
D804,228 S * 12/2017 Scherer D6/705
D871,812 S * 1/2020 Su D6/705.4
2018/0132581 A1 * 5/2018 Garrett A45C 5/03

FOREIGN PATENT DOCUMENTS

DE 4447003 A1 * 7/1996 G06F 1/181
DE 102011120390 A1 * 10/2012 A47B 88/941
EP 2359716 A1 * 8/2011 A47B 88/463
GB 2224924 A * 5/1990 A47B 88/487
JP 2009112481 A * 5/2009
JP 2016198448 A * 12/2016
WO WO-2008010036 A1 * 1/2008 A47B 88/956
WO WO-2008035366 A2 * 3/2008 A47B 88/941
WO WO-2010036215 A2 * 4/2010 A47B 88/941
WO WO-2018146001 A1 * 8/2018 A47B 88/925

* cited by examiner

Primary Examiner — R. Johnson

(74) *Attorney, Agent, or Firm* — Wenderoth, Lind & Ponack, L.L.P.

(57) **CLAIM**

The ornamental design for a drawer part, as shown and described.

DESCRIPTION

FIG. 1 is a front perspective view of a drawer part;
FIG. 2 is a front view thereof;
FIG. 3 is a rear view thereof;
FIG. 4 is a right side view thereof;
FIG. 5 is a left side view thereof;
FIG. 6 is a bottom view thereof;
FIG. 7 is a top view thereof; and,
FIG. 8 is a rear perspective view thereof.

1 Claim, 8 Drawing Sheets

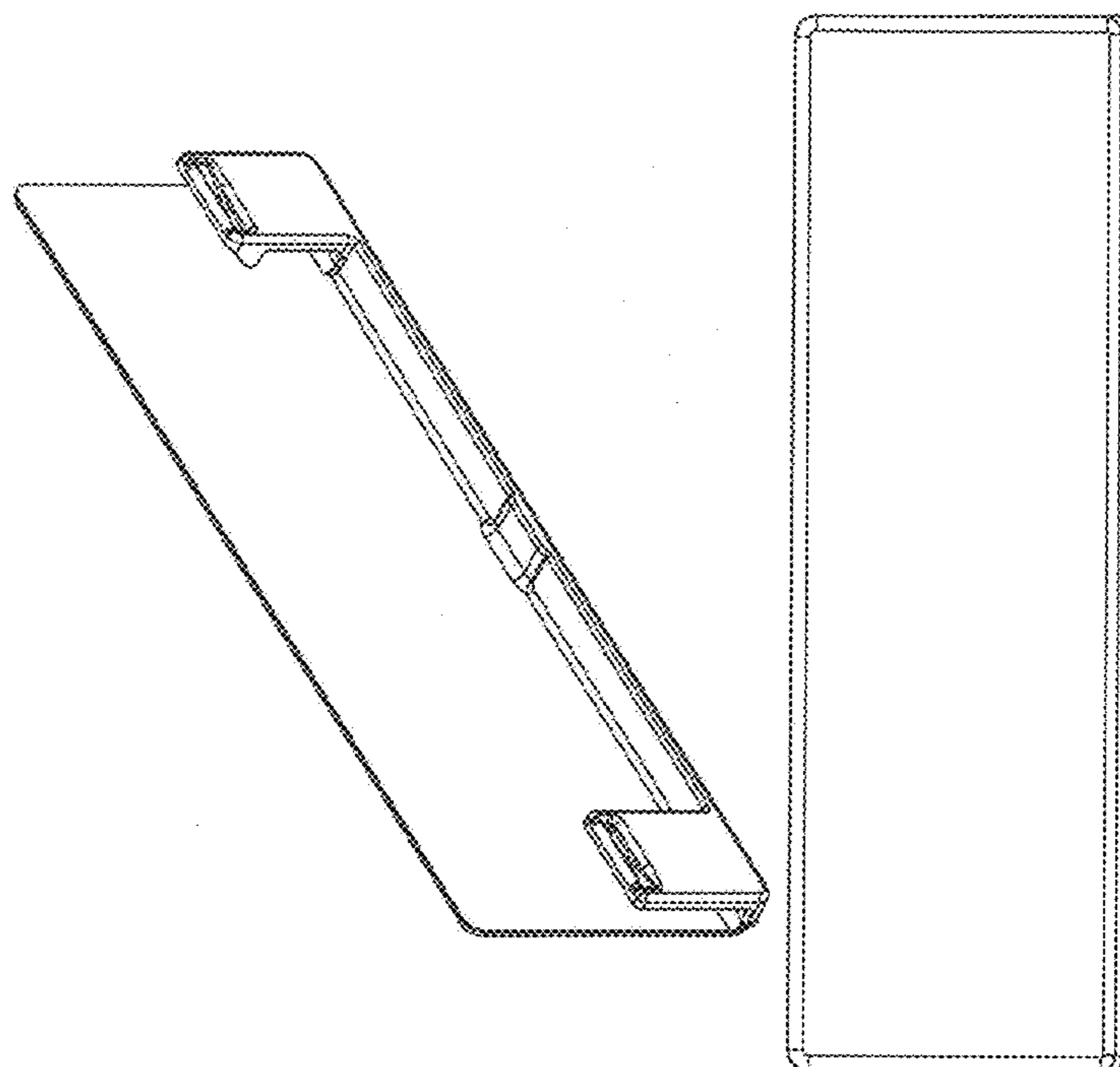


FIG. 1

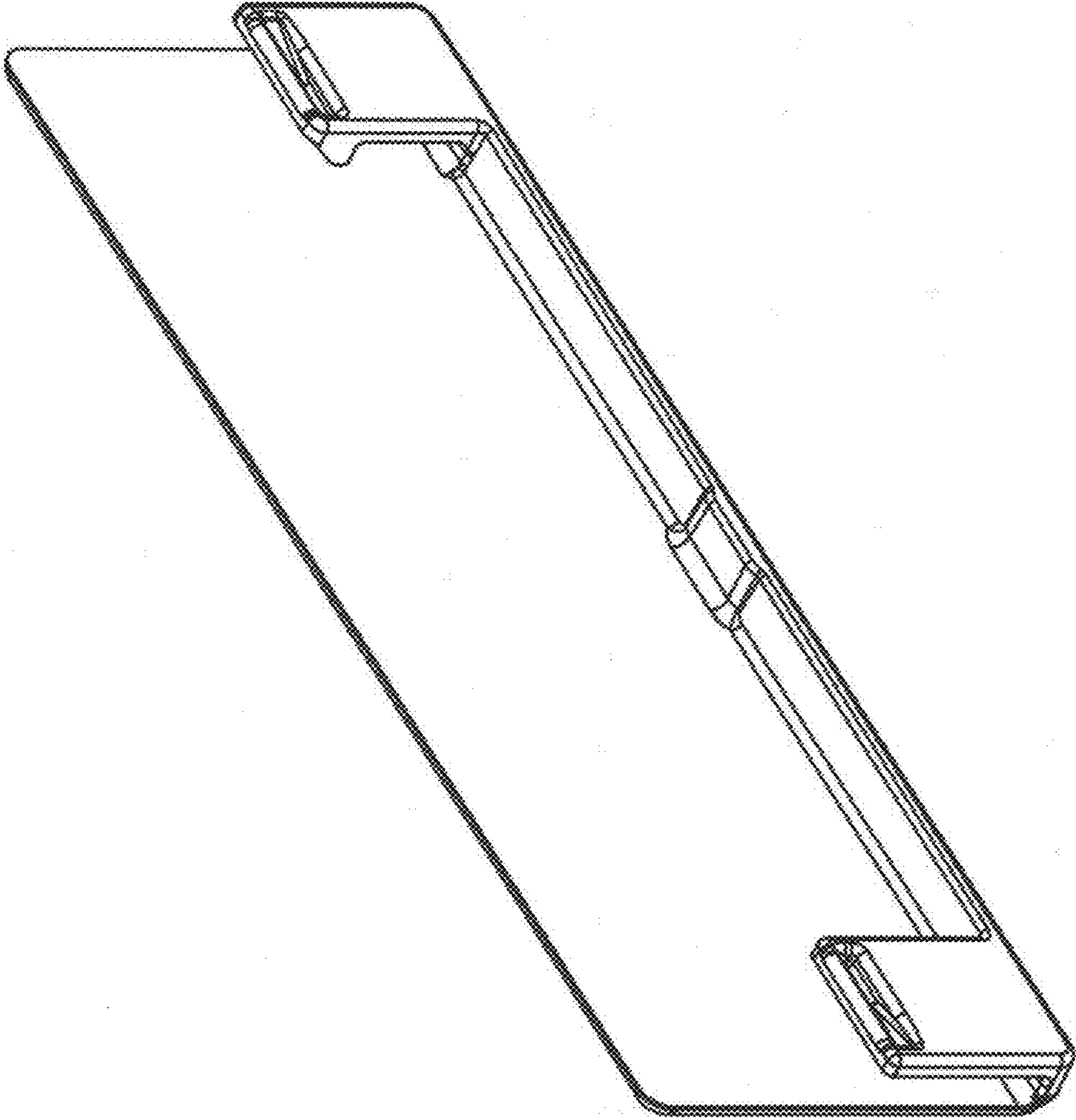


FIG. 2

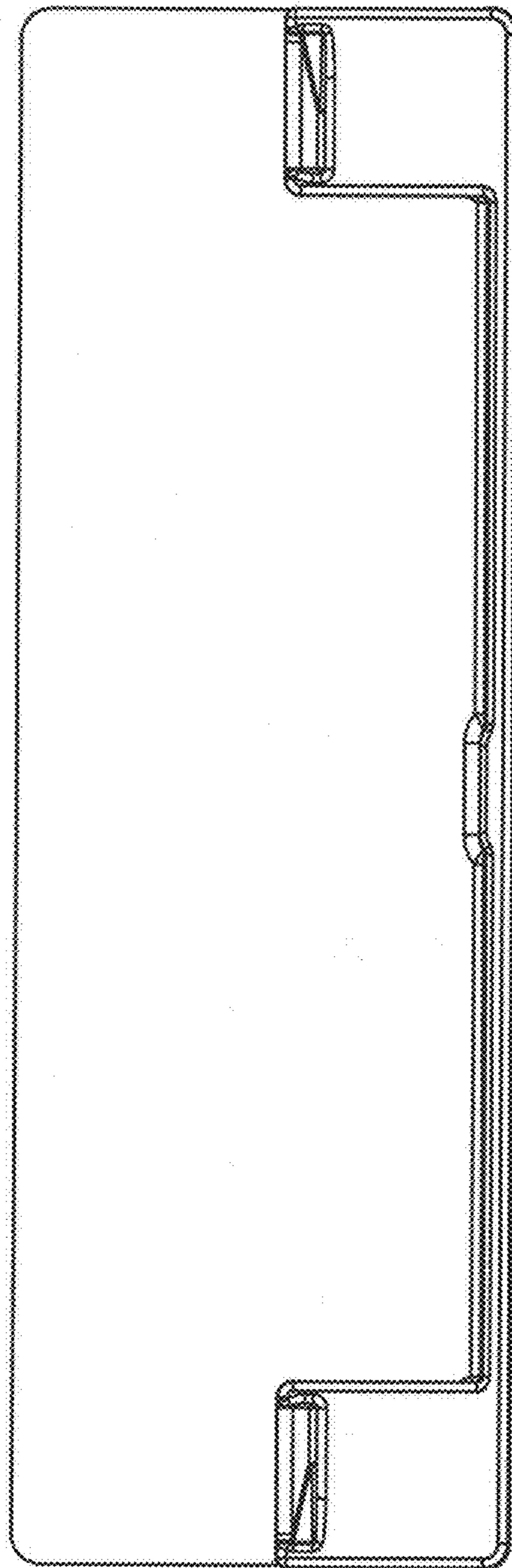


FIG. 3

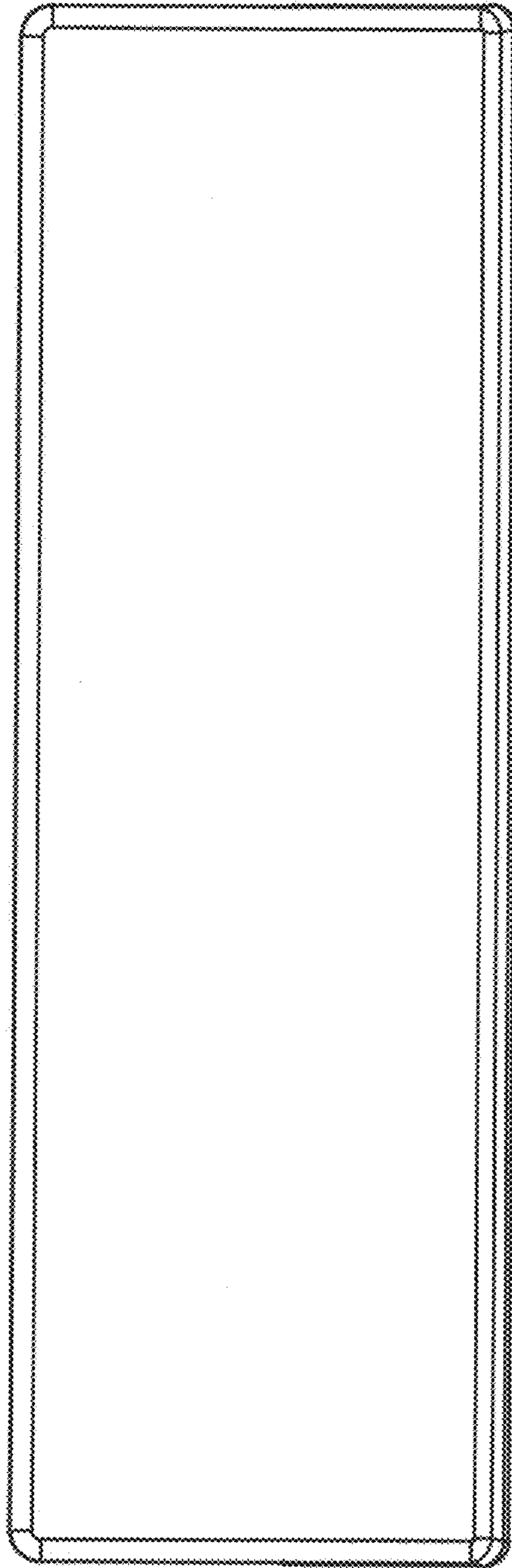


FIG. 4



FIG. 5

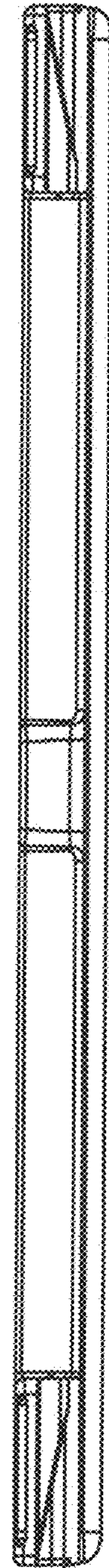


FIG. 6

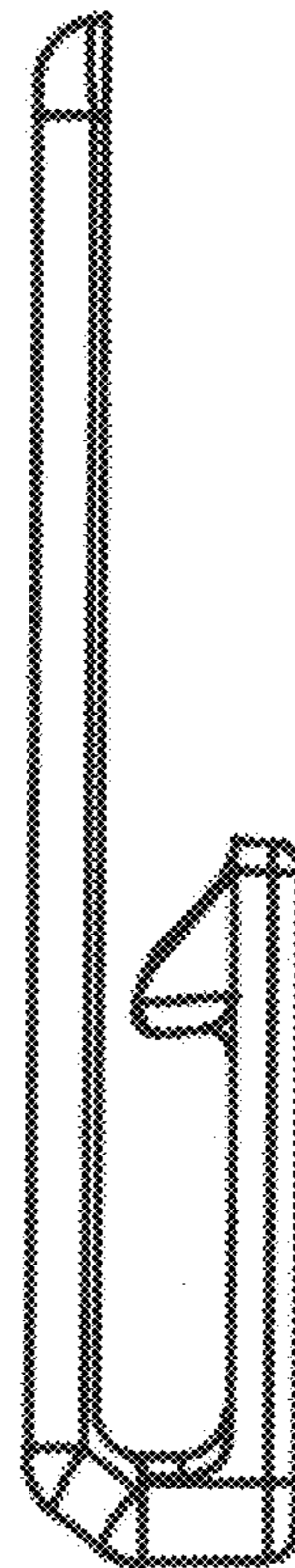


FIG. 7

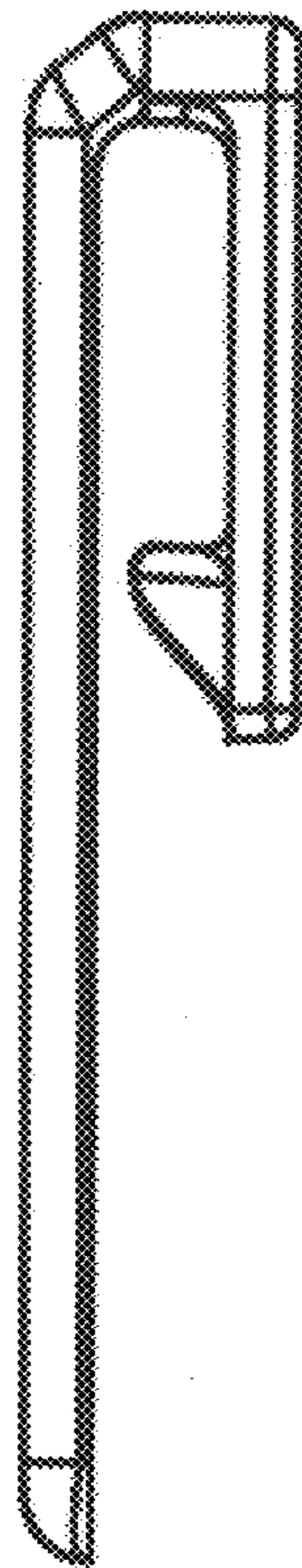


FIG. 8

