



US00D881616S

(12) **United States Design Patent**
Batson

(10) **Patent No.:** **US D881,616 S**
(45) **Date of Patent:** **** Apr. 21, 2020**

(54) **SIDE TABLE**

(71) Applicant: **BATSON VENTURES, INC.**, Tulsa, OK (US)

(72) Inventor: **Brett Evan Batson**, Tulsa, OK (US)

(73) Assignee: **Batson Ventures, Inc.**, Tulsa, OK (US)

(**) Term: **15 Years**

(21) Appl. No.: **29/658,443**

(22) Filed: **Jul. 31, 2018**

(51) **LOC (12) Cl.** **06-03**

(52) **U.S. Cl.**
USPC **D6/697**

(58) **Field of Classification Search**

USPC ... D6/649, 685, 686, 693, 693.1-693.3, 696, D6/697, 697.1, 697.2, 702, 708, 708.17, D6/708.22

CPC A47B 9/00; A47B 13/00; A47B 13/003; A47B 13/02; A47B 13/04; A47B 13/06; A47B 13/08; A47B 13/10; A47B 13/12; A47B 17/00; A47B 19/00; A47B 21/00; A47B 91/00; A47B 2200/0001; A47B 2200/0011; A47B 2200/002

See application file for complete search history.

(56) **References Cited**

U.S. PATENT DOCUMENTS

D132,876 S * 6/1942 Cooper D6/693.1
D152,998 S * 3/1949 Martin D6/691

D276,100 S * 10/1984 Middleton D6/672
D511,257 S * 11/2005 Chabot D6/691.4
D716,597 S * 11/2014 Muller D6/708.17
D731,216 S * 6/2015 Sorel D6/690
D750,405 S * 3/2016 Muller D6/708.17
D825,966 S * 8/2018 Muller D6/697
D850,173 S * 6/2019 Bozzoli D6/693.3

* cited by examiner

Primary Examiner — Mary Ann Calabrese

(74) *Attorney, Agent, or Firm* — Crowe & Dunlevy, P.C.

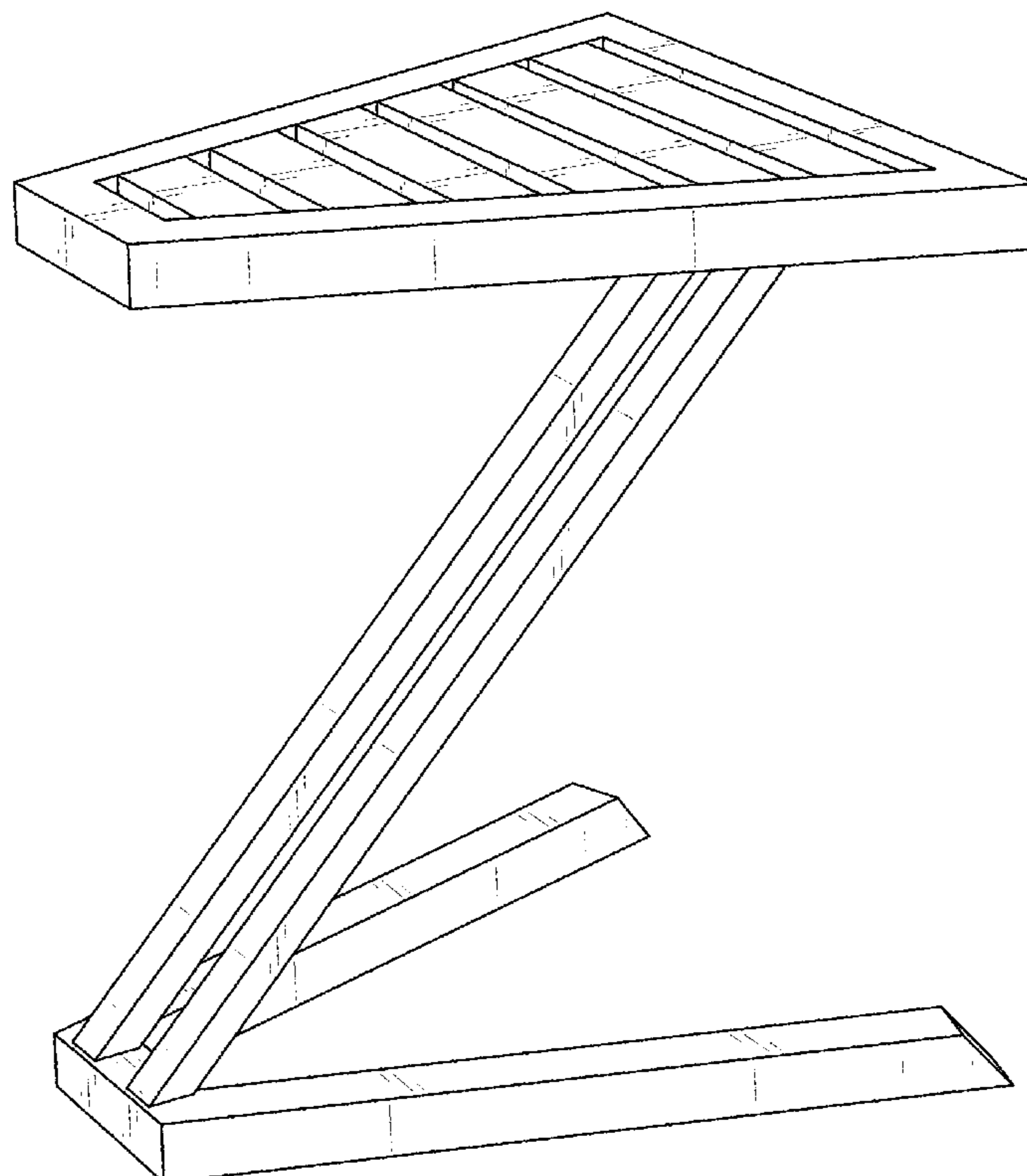
(57) **CLAIM**

The ornamental design for a side table, as shown and described.

DESCRIPTION

FIG. 1 is a perspective view of a side table showing the design;
FIG. 2 is a front elevation view of the side table shown in FIG. 1;
FIG. 3 is a rear elevation view of the side table shown in FIG. 1;
FIG. 4 is a first side elevation view of the side table shown in FIG. 1;
FIG. 5 is a second side view of the side table shown in FIG. 1;
FIG. 6 is a top elevation view of the side table shown in FIG. 1; and,
FIG. 7 is a bottom elevation view of the side table shown in FIG. 1.

1 Claim, 7 Drawing Sheets



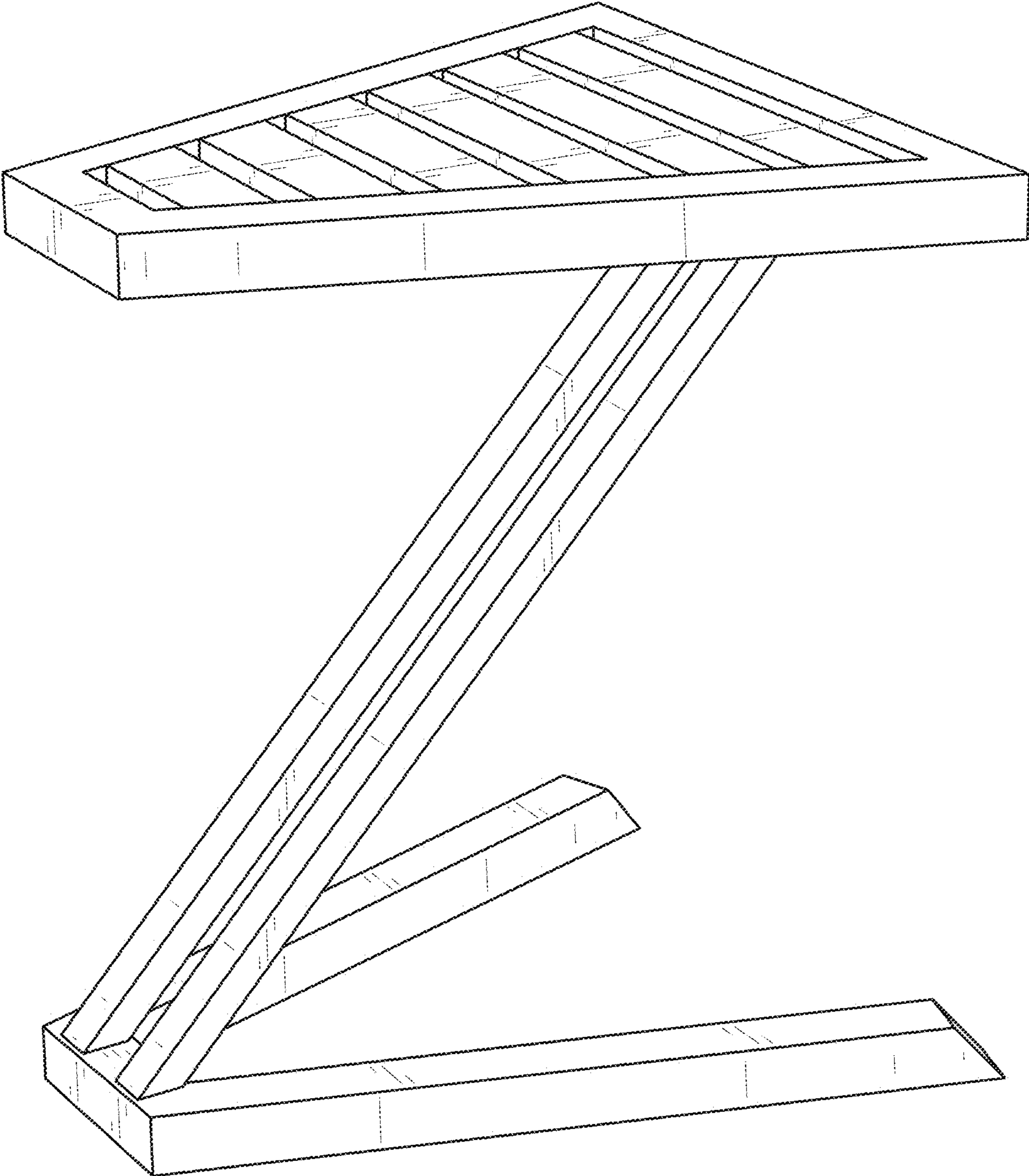


FIG. 1

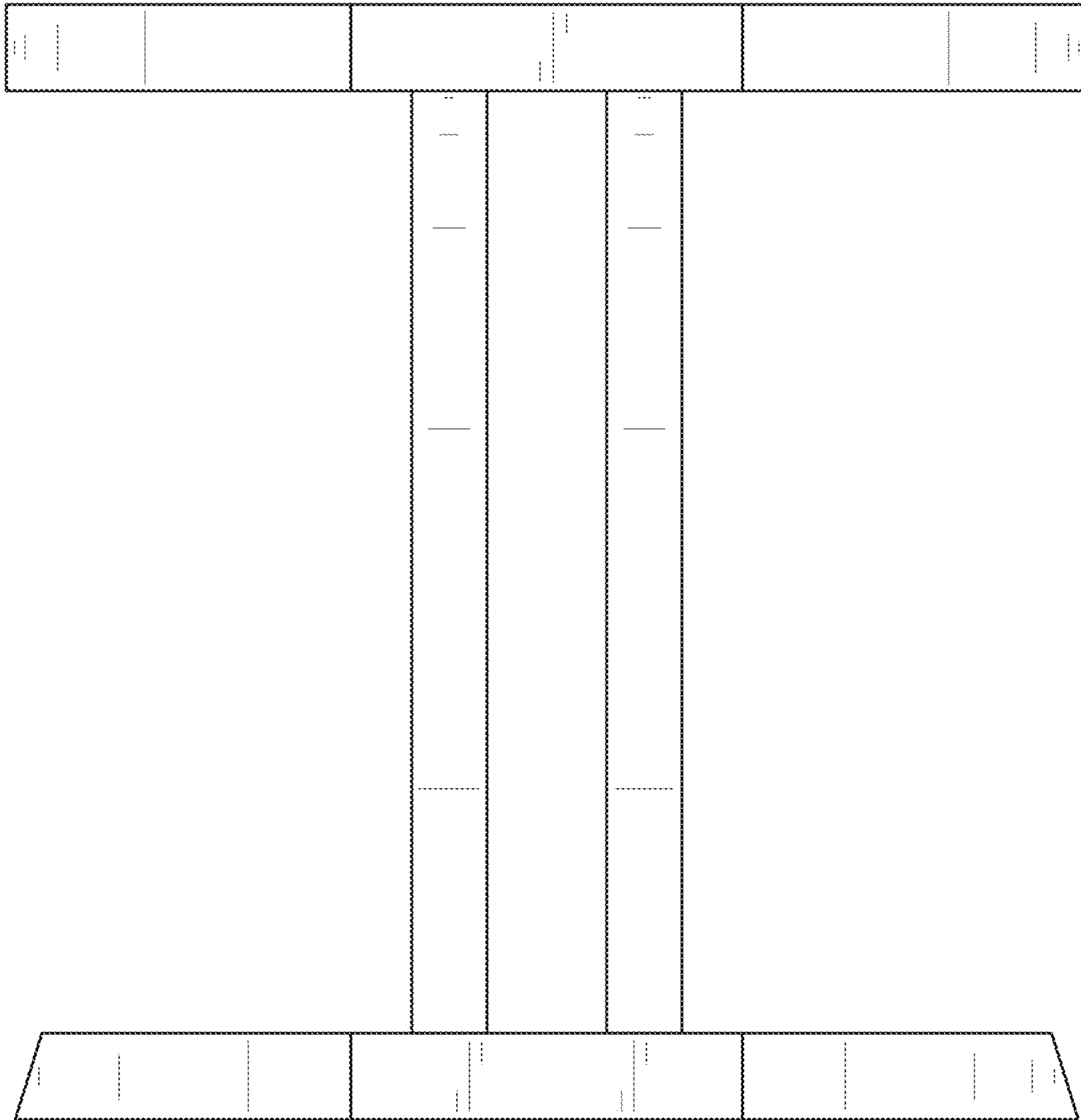


FIG. 2

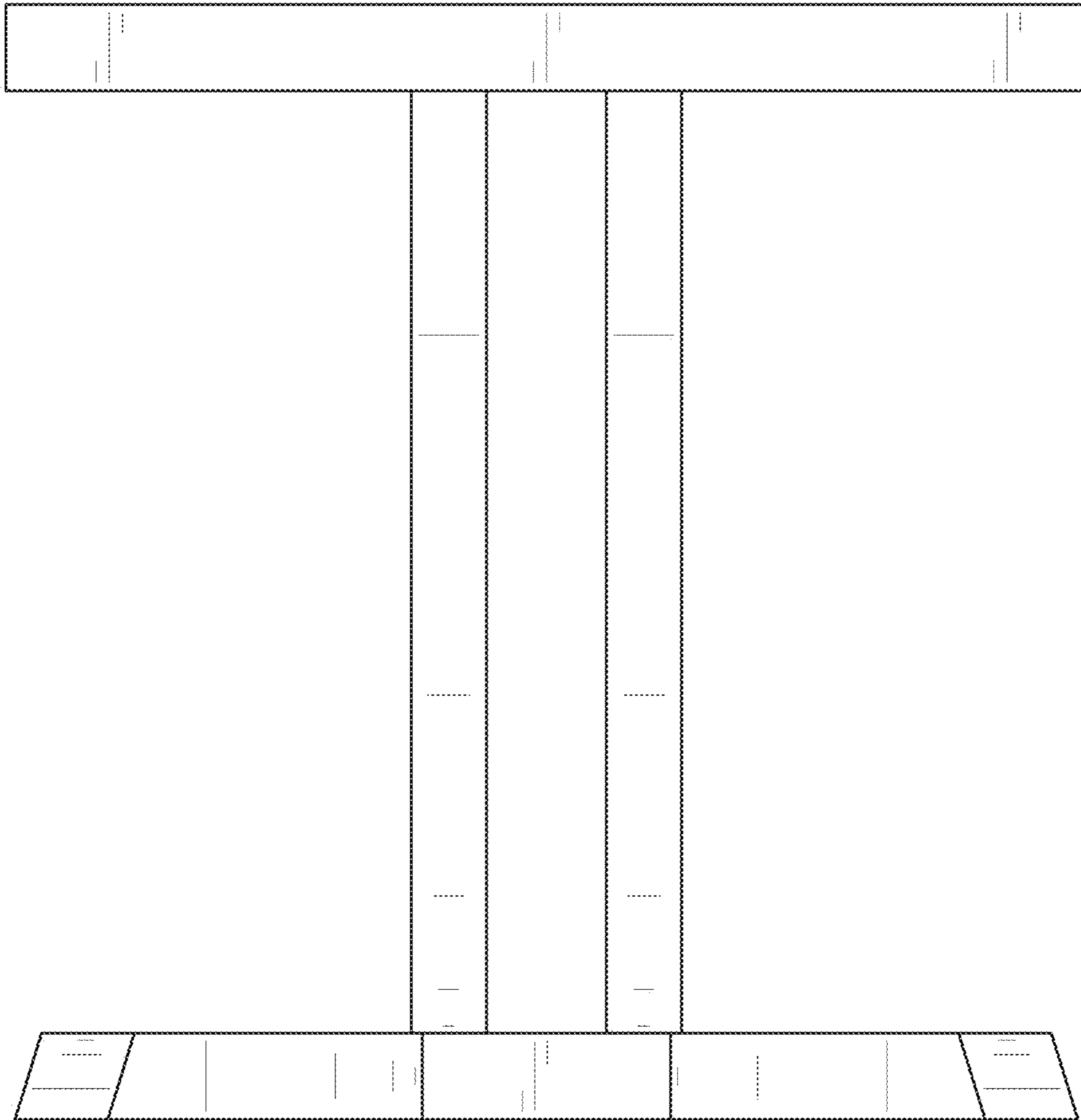


FIG. 3

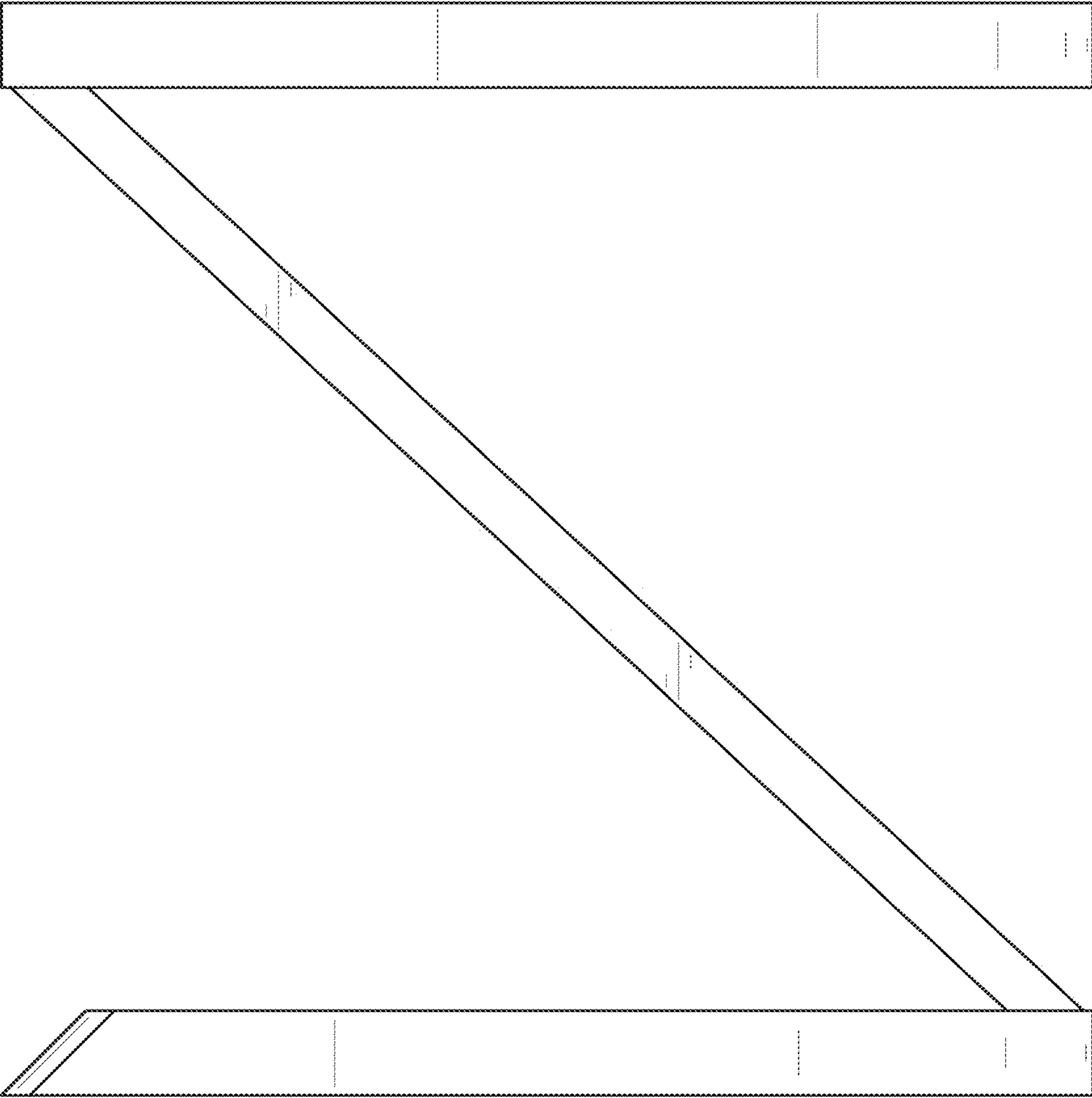


FIG. 4

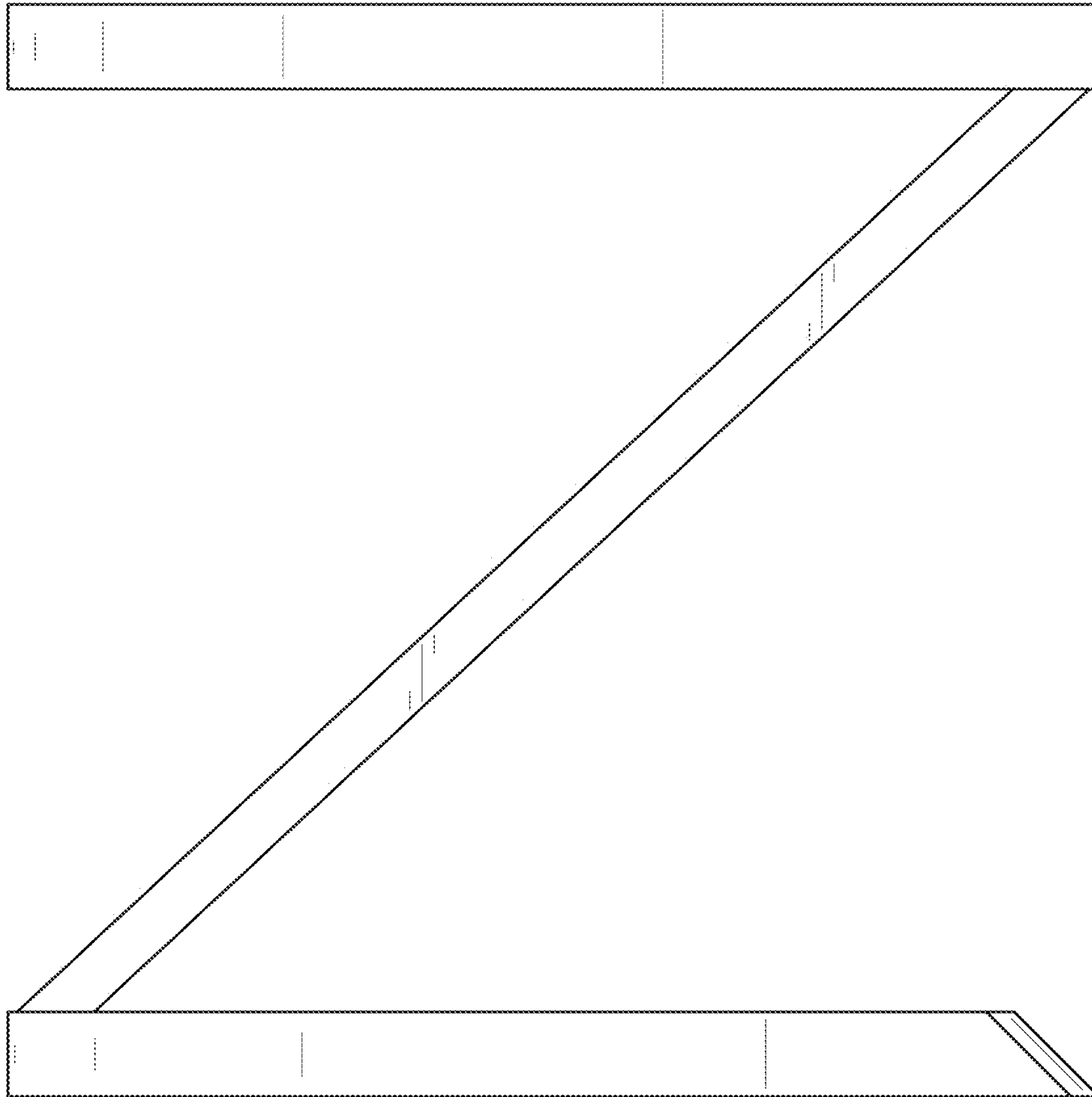


FIG. 5

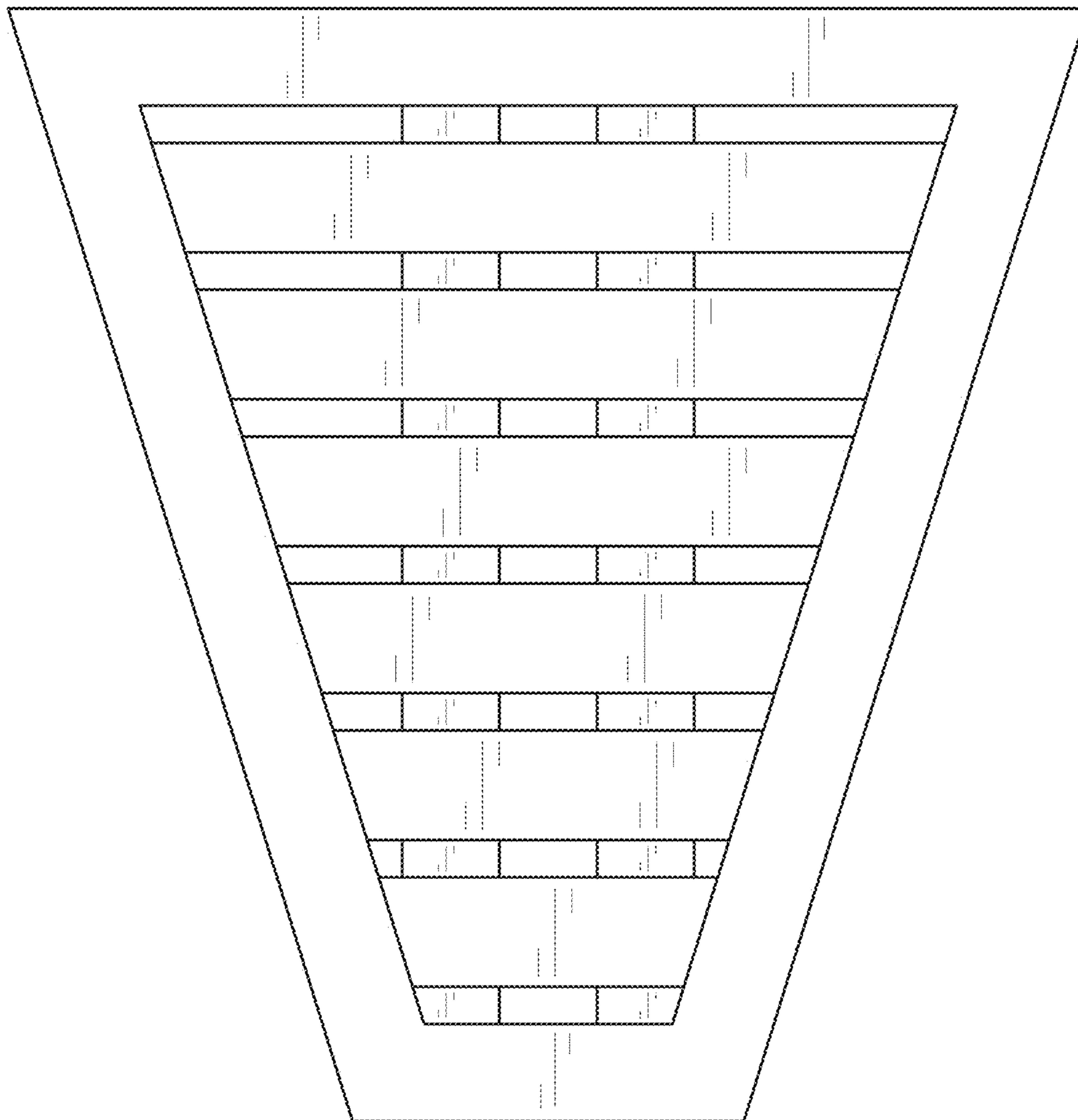


FIG. 6

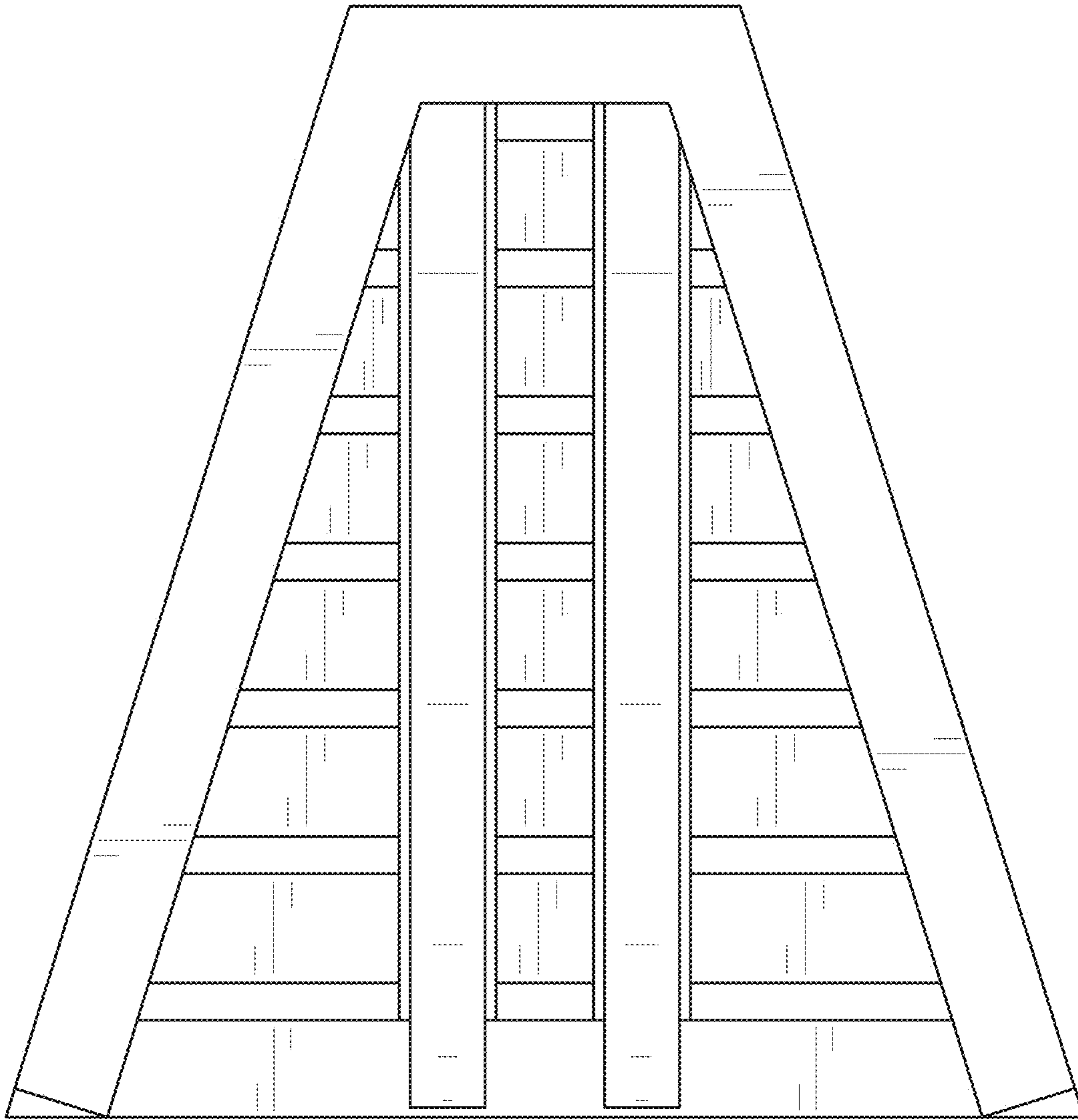


FIG. 7