



US00D881615S

(12) **United States Design Patent** (10) **Patent No.:** **US D881,615 S**
Wager (45) **Date of Patent:** **** Apr. 21, 2020**

(54) **FILLET TABLE**

(56) **References Cited**

(71) Applicant: **Gregory Richard Wager**, Eastchester, NY (US)

(72) Inventor: **Gregory Richard Wager**, Eastchester, NY (US)

(**) Term: **15 Years**

(21) Appl. No.: **29/669,069**

(22) Filed: **Nov. 5, 2018**

(51) **LOC (12) Cl.** **06-03**

(52) **U.S. Cl.**
USPC **D6/686**

(58) **Field of Classification Search**
USPC D6/668, 672, 685, 686, 688, 688.11, D6/688.19, 691.1, 691.9, 692, 692.3, D6/692.5, 694, 695, 695.2, 696, 696.1, D6/696.2, 696.3, 697, 698, 699, 699.2, D6/699.4, 701, 705, 707, 707.22, 707.23, D6/707.24, 709; D23/270, 271, 303
CPC .. A47B 37/00; A47B 3/00; A47B 1/00; A47B 3/06; A47B 3/08; A47B 7/00; A47B 21/00; A47B 23/00; A47B 25/00; A47B 13/08; A47B 3/083; A47B 3/14; A47B 41/00; A47B 17/00; A47B 3/0809; A47B 3/0812; A47B 2013/026; A47B 2200/03; A47B 2200/00; A47B 2003/0821; A47C 3/045

U.S. PATENT DOCUMENTS

D124,741 S *	1/1941	Irwin	D23/271
D177,657 S *	5/1956	Bedol	D6/686
D180,599 S *	7/1957	Jacoby	D6/686
D184,828 S *	4/1959	Mitchell	D6/691.9
D199,871 S *	12/1964	Lanigan	D16/242
D225,116 S *	11/1972	Krajeski	D6/300
D234,560 S *	3/1975	Hauner	D6/686
D278,294 S *	4/1985	Dau	D6/691.9
D598,671 S *	8/2009	Gagnon, Jr.	D6/642
9,445,690 B2 *	9/2016	Handyside	A47J 37/0704
2006/0037873 A1 *	2/2006	Elgart	A45C 9/00 206/223

* cited by examiner

Primary Examiner — Mary Ann Calabrese

Assistant Examiner — Catherine Ho

(74) *Attorney, Agent, or Firm* — Amster, Rothstein & Ebenstein LLP

(57) **CLAIM**

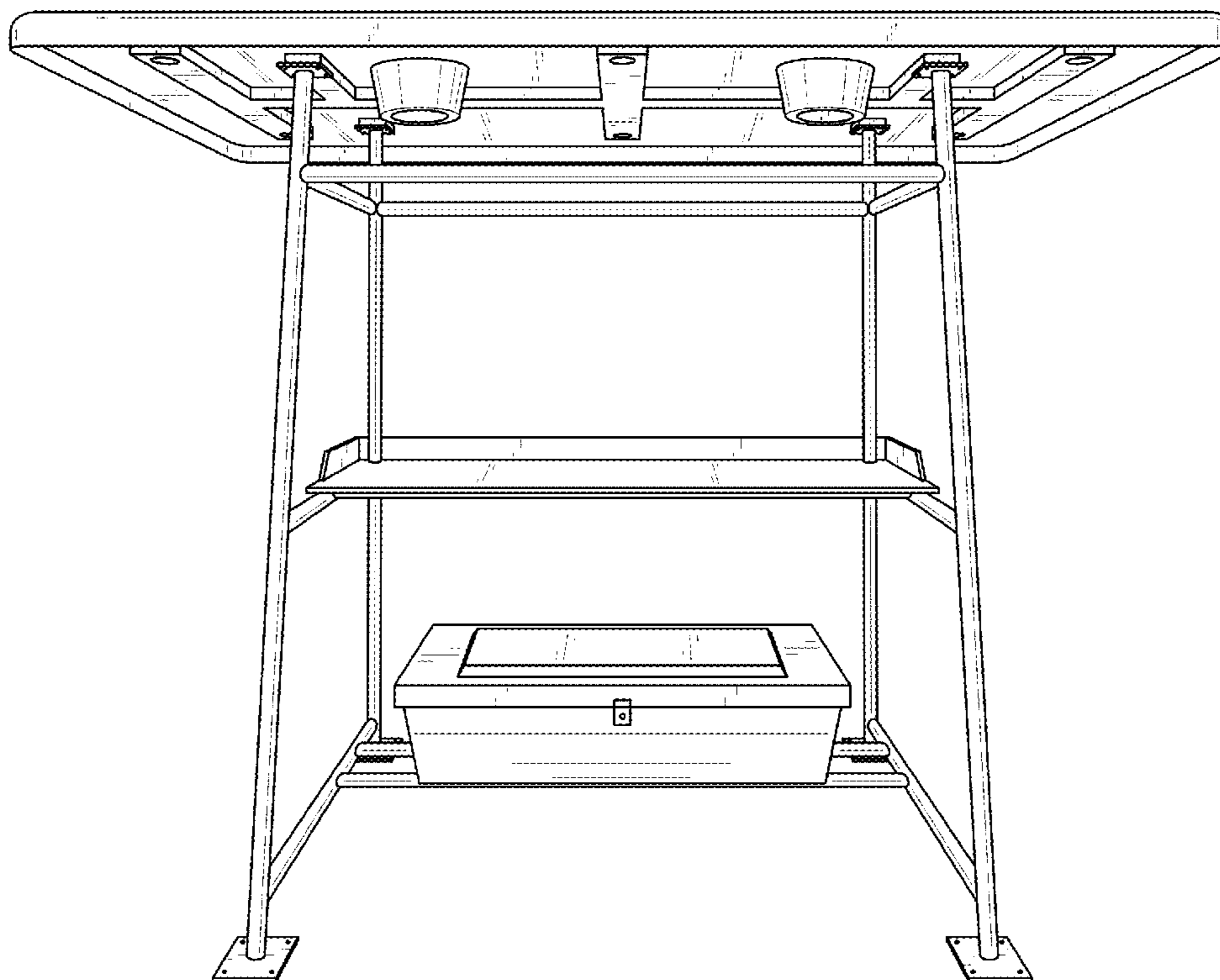
The design for a fillet table, as shown and described.

DESCRIPTION

FIG. 1 is a perspective view of a new design for a fillet table; FIG. 2 is a front plan view thereof; FIG. 3 is a back plan view thereof; FIG. 4 is a right side view thereof; FIG. 5 is a left side view thereof; FIG. 6 is a top view thereof; and, FIG. 7 is a bottom view thereof.

See application file for complete search history.

1 Claim, 6 Drawing Sheets



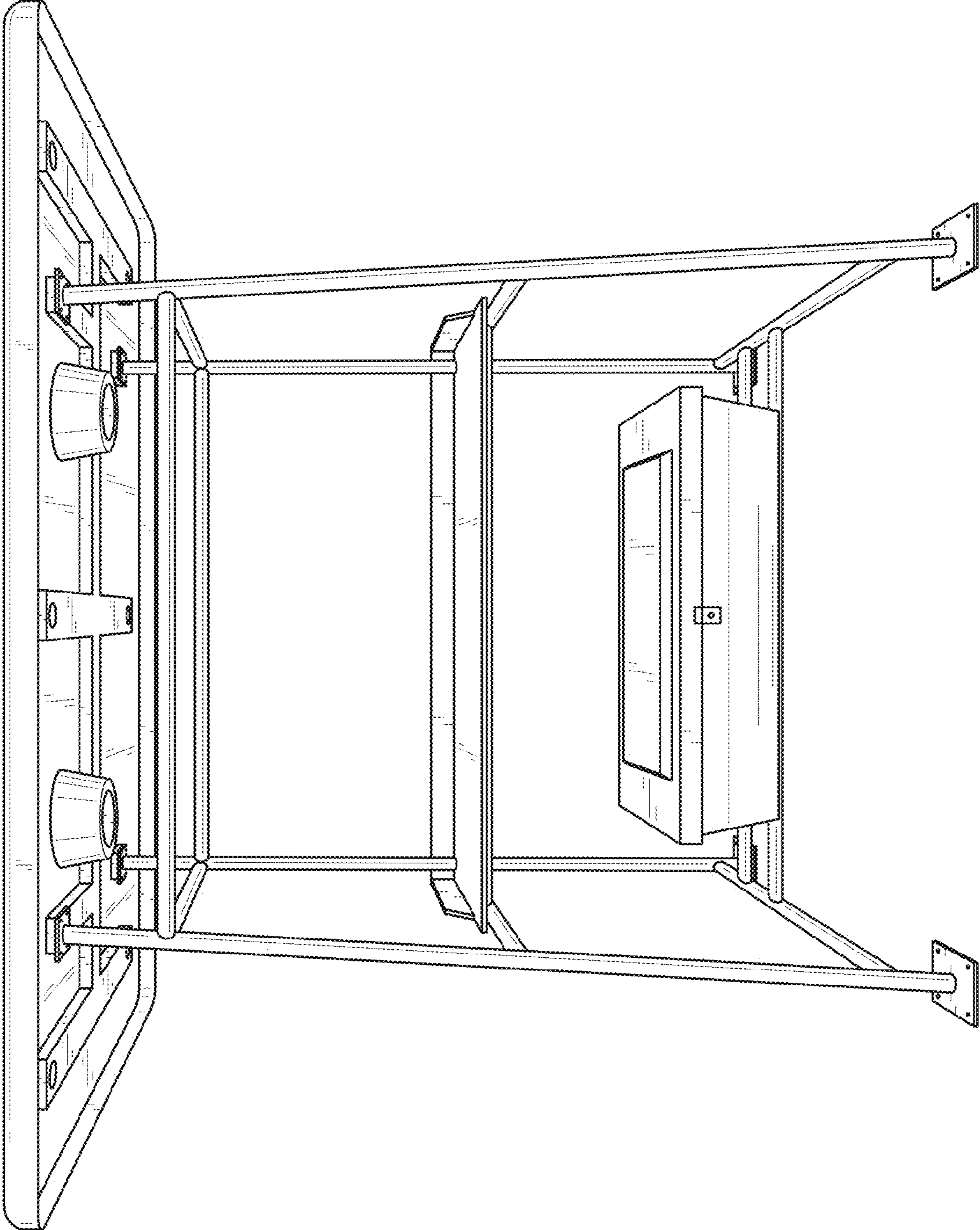


FIG. 1

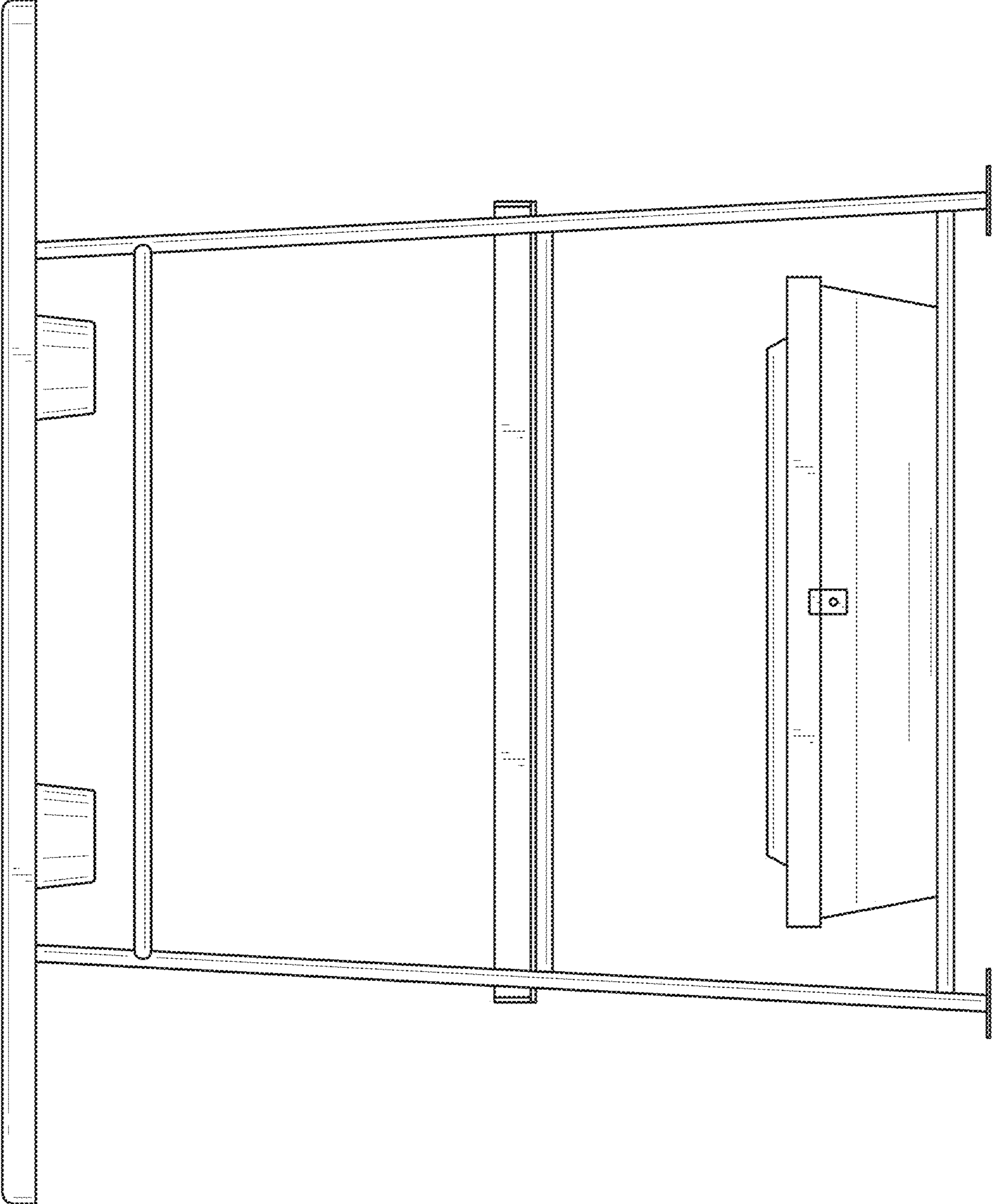


FIG. 2

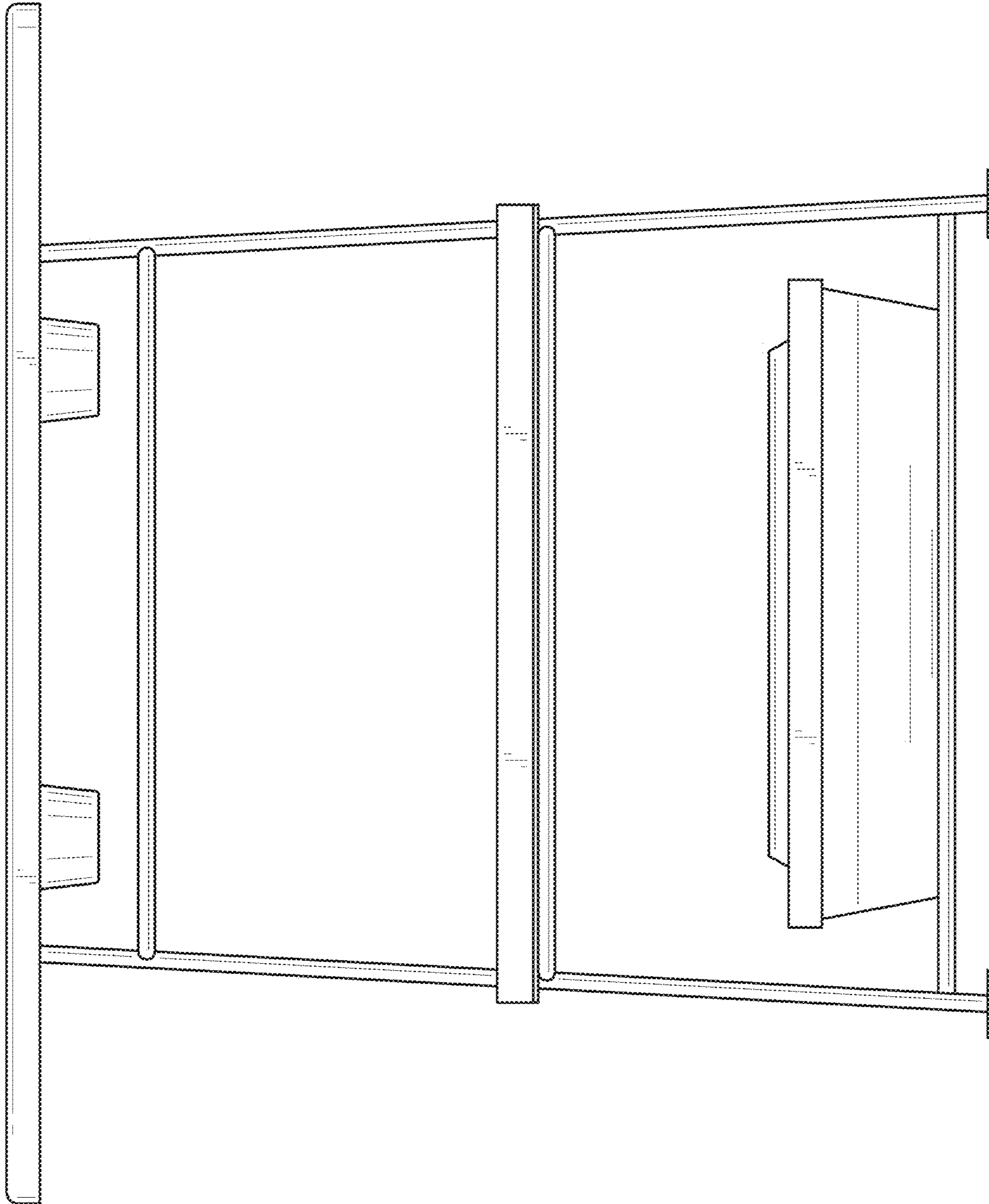


FIG. 3

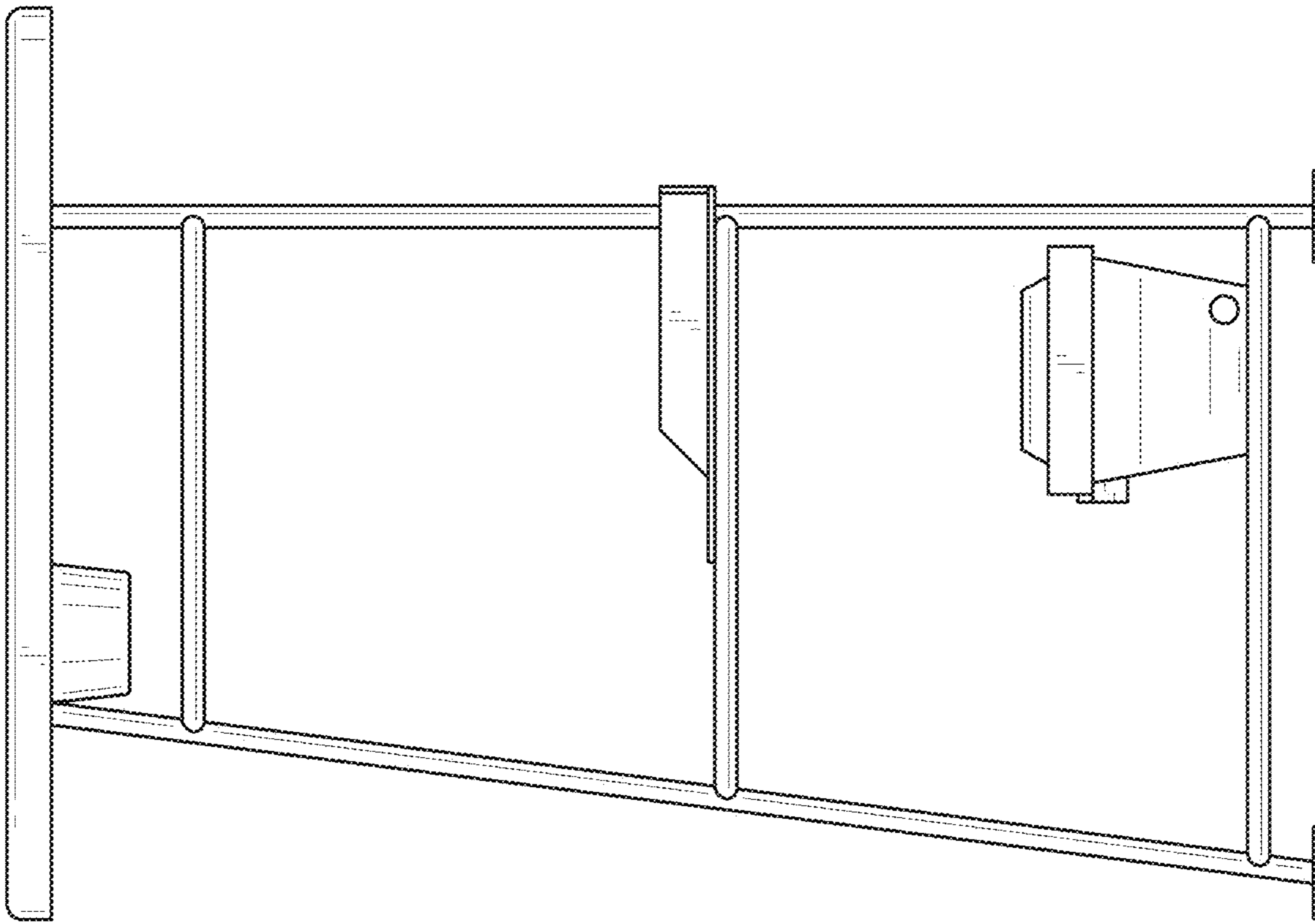


FIG. 5

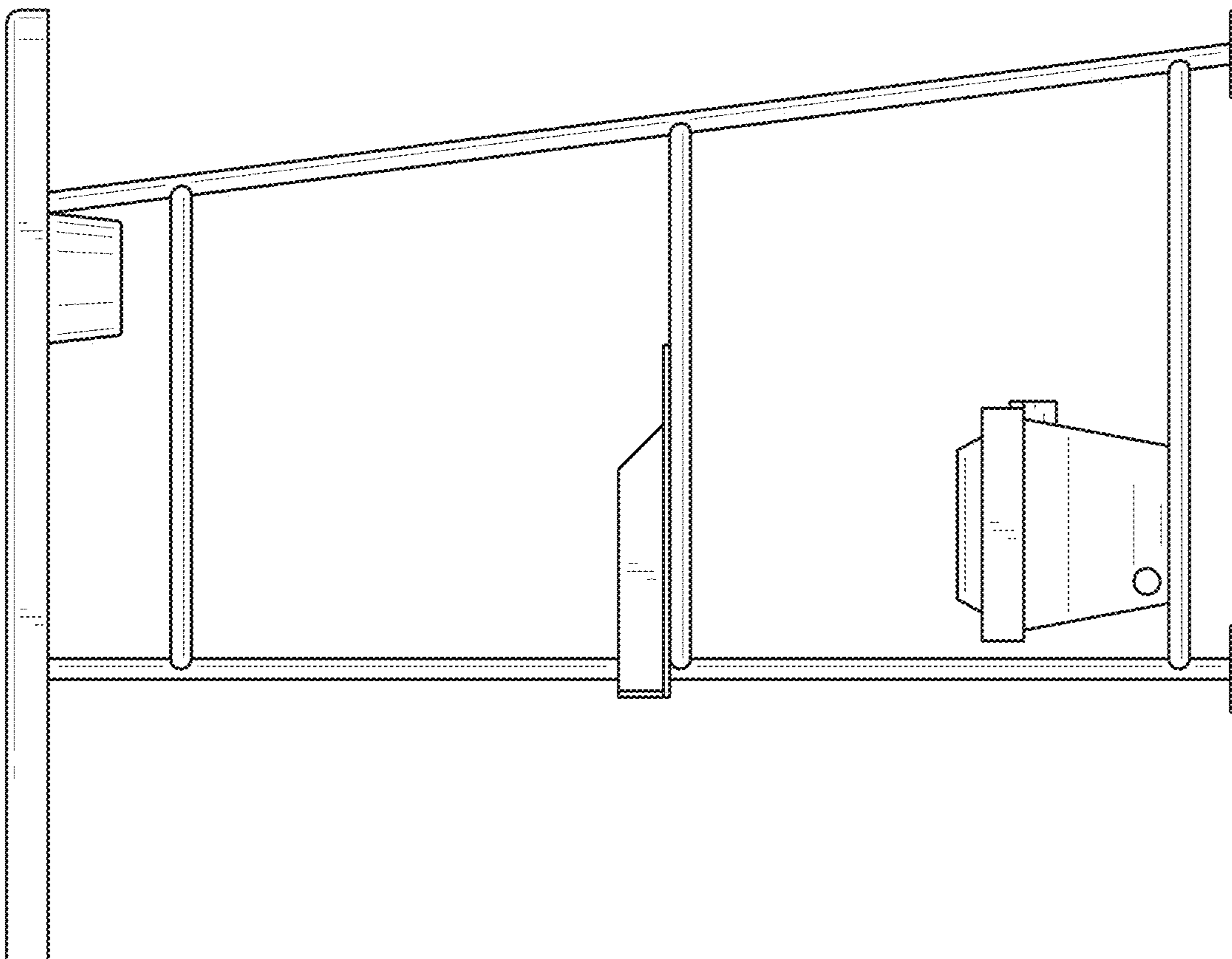


FIG. 4

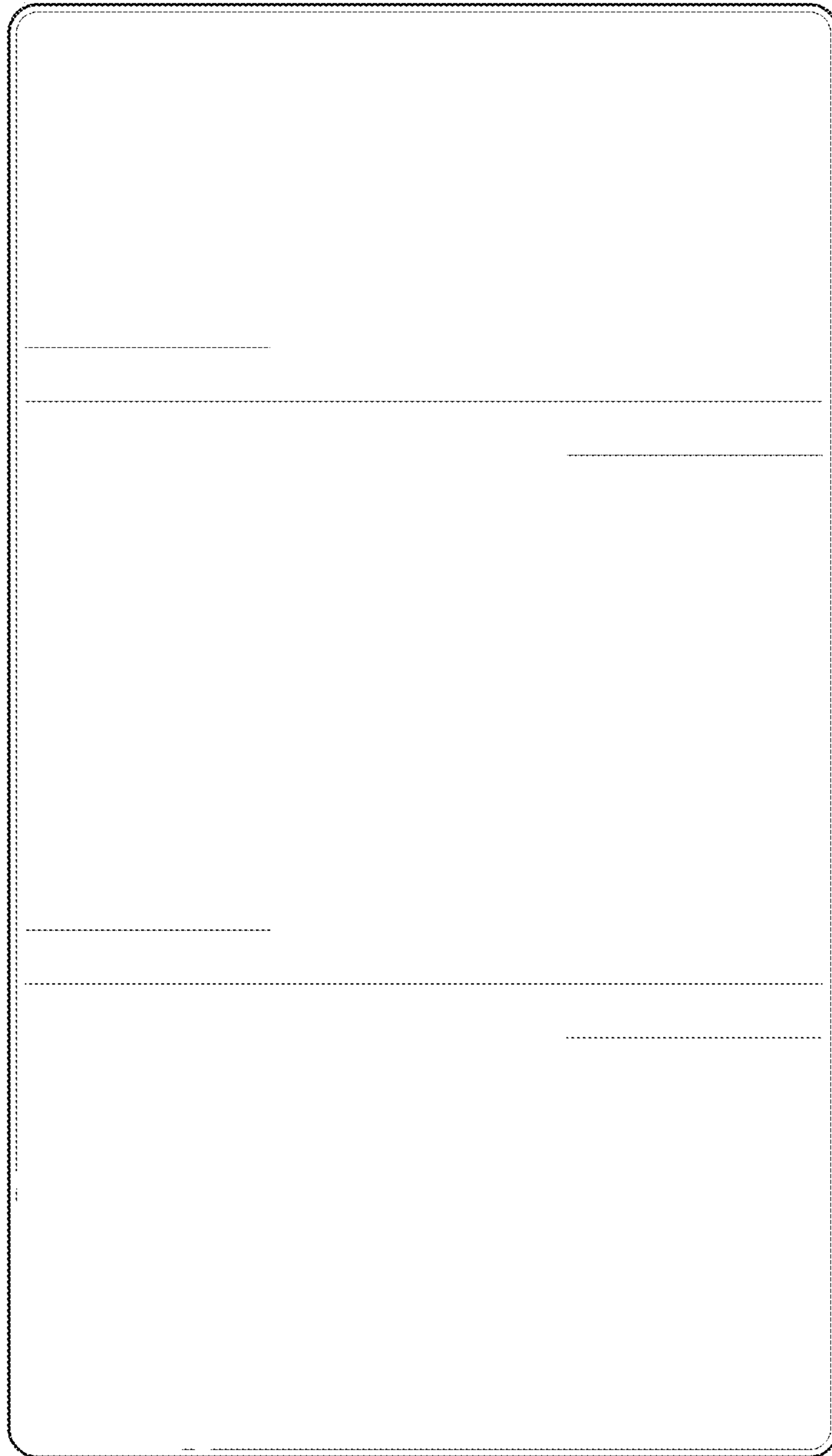


FIG. 6

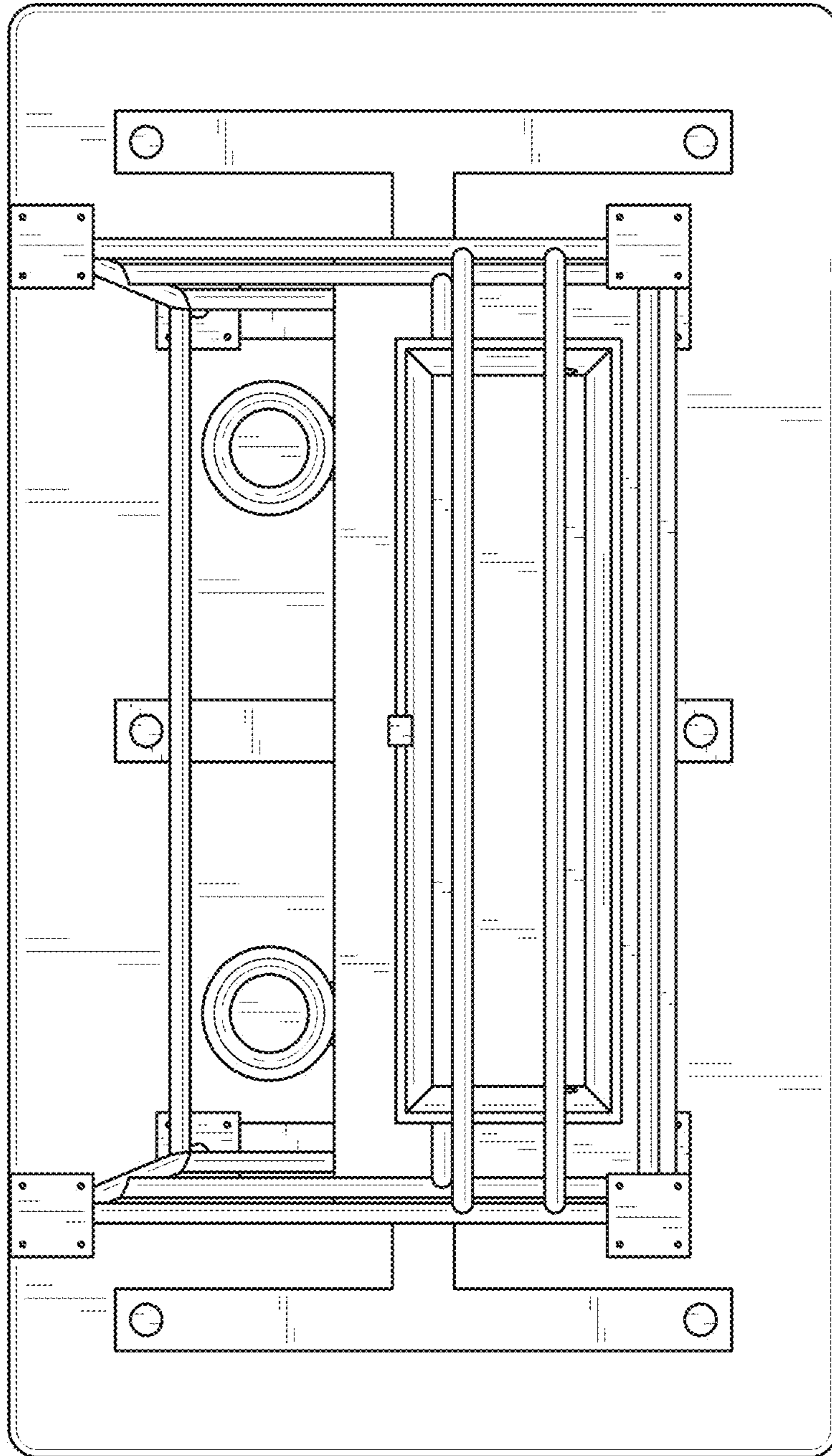


FIG. 7