



US00D881614S

(12) **United States Design Patent** (10) **Patent No.:** **US D881,614 S**
Wilke (45) **Date of Patent:** **** *Apr. 21, 2020**

(54) **SUPPORT STRUCTURE**

- (71) Applicant: **David Wilke**, Franklin, WI (US)
- (72) Inventor: **David Wilke**, Franklin, WI (US)
- (*) Notice: This patent is subject to a terminal disclaimer.
- (**) Term: **15 Years**
- (21) Appl. No.: **29/703,417**
- (22) Filed: **Aug. 27, 2019**

Related U.S. Application Data

- (62) Division of application No. 29/567,391, filed on Jun. 8, 2016, now Pat. No. Des. 860,694.
- (51) **LOC (12) Cl.** **20-02**
- (52) **U.S. Cl.**
USPC **D6/680.2**; D6/682
- (58) **Field of Classification Search**
USPC ... D6/672, 675-684, 703, 703.2, 703.5, 706, D6/712, 713, 714; D8/382; D10/69
CPC A47F 1/00
See application file for complete search history.

(56) **References Cited**

U.S. PATENT DOCUMENTS

2,597,157 A	5/1952	Martino
2,609,136 A	9/1952	Sider
3,076,557 A	2/1963	Husted
3,199,765 A	8/1965	Locke
D239,744 S	5/1976	Bucknam
3,982,682 A	9/1976	Fremion
4,248,350 A	2/1981	Gilbert
4,399,915 A	8/1983	Sorenson

(Continued)

FOREIGN PATENT DOCUMENTS

JP 2007008575 1/2007

OTHER PUBLICATIONS

Balloon Tree Holder Stand: Published Feb. 6, 2015 [online], site visited Sep. 19, 2019. Available from Internet URL: https://www.amazon.co.uk/dp/B00T9TX6UE/ref=cm_sw_r_tw_dp_U_x_IK7GDbM9XW358 (Year: 2015).*

(Continued)

Primary Examiner — Jack Reickel

Assistant Examiner — Melvin L Davis

(74) *Attorney, Agent, or Firm* — Ryan Kromholz & Manion, S.C.

(57) **CLAIM**

The ornamental design for a support structure, as is shown and described.

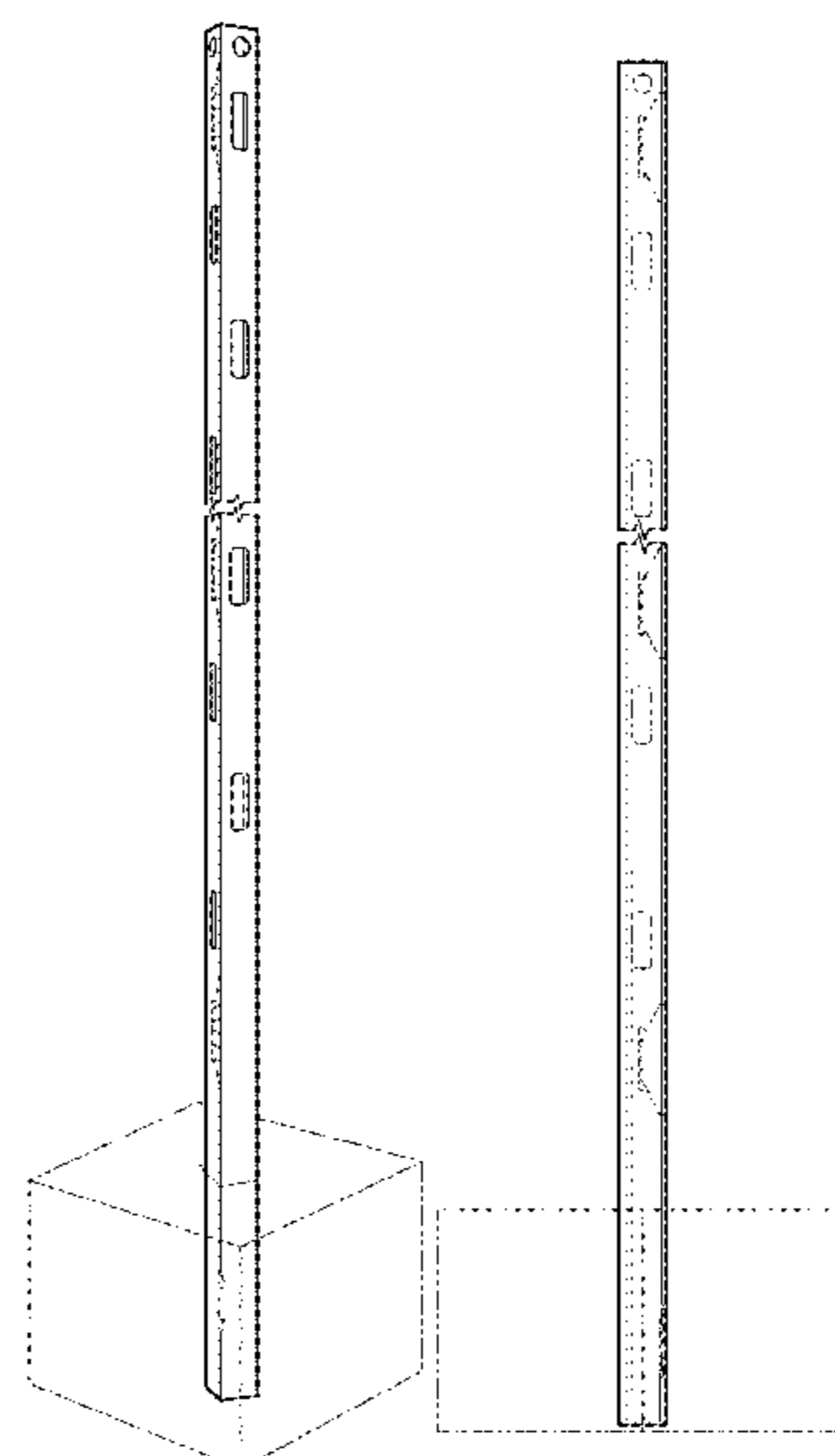
DESCRIPTION

FIG. 1 is a perspective view of the support structure;
 FIG. 2 is a front elevation view thereof;
 FIG. 3 is a rear elevation view thereof;
 FIG. 4 is a left side elevation view thereof;
 FIG. 5 is a right side elevation view thereof;
 FIG. 6 is a top plan view thereof;
 FIG. 7 is a bottom plan view thereof;
 FIG. 8 is a perspective view of a second embodiment of the support structure;
 FIG. 9 is a front elevation view thereof;
 FIG. 10 is a rear elevation view thereof;
 FIG. 11 is a left side elevation view thereof;
 FIG. 12 is a right side elevation view thereof;
 FIG. 13 is a top plan view thereof; and,
 FIG. 14 is a bottom plan view thereof.

The broken line showing of support structure is included for the purposes of illustrating portions of the article and forms no part of the claimed design.

The support structure is shown with a symbolic break. Any portion between the break lines forms no part of the claimed design.

1 Claim, 4 Drawing Sheets



(56)

References Cited

U.S. PATENT DOCUMENTS

4,461,387 A * 7/1984 Belokin, Jr. A47F 5/04
 211/85.15
 D290,670 S * 7/1987 Nathan D20/8
 4,813,902 A 3/1989 Messer
 D301,745 S * 6/1989 Burkstrand D25/119
 4,879,823 A 11/1989 Collins
 4,944,709 A 7/1990 Lovik
 4,953,713 A 9/1990 Yaffe
 5,024,011 A 6/1991 Collins
 5,036,985 A * 8/1991 Lovik A47F 7/00
 211/13.1
 5,161,692 A 11/1992 Knierim
 D353,731 S * 12/1994 Burgasser D6/332
 D369,252 S * 4/1996 Solomon-Wise D6/681.3
 D381,534 S 7/1997 Garneau
 D385,716 S 11/1997 Hudson
 D399,725 S * 10/1998 Baker D8/354
 6,012,587 A 1/2000 McCullough
 D428,285 S * 7/2000 Hughes D8/374
 D450,474 S 11/2001 Sokoloff
 D463,160 S 9/2002 Chang
 D470,689 S 2/2003 High
 6,513,662 B1 2/2003 Stebelton
 7,137,517 B2 11/2006 Lowry
 D555,944 S 11/2007 Quintal
 D567,541 S 4/2008 Bermea
 D585,661 S * 2/2009 Betts D6/681.3
 D605,428 S 12/2009 Brooks
 7,631,773 B1 12/2009 Calabrisotto
 D628,409 S * 12/2010 Anzai D8/323
 D643,255 S 8/2011 Tsai
 8,968,047 B1 3/2015 Wicken
 9,089,784 B2 7/2015 Nelson
 9,185,984 B2 11/2015 Henke
 9,192,870 B2 * 11/2015 Chapman-Rickman
 A63H 27/10

9,352,240 B1 * 5/2016 Wicken F16M 11/16
 D765,447 S 9/2016 Barham
 9,679,504 B1 * 6/2017 Wicken A47F 10/00
 9,783,333 B1 10/2017 De Los Santos
 D805,928 S 12/2017 Ben Josef
 D825,353 S 8/2018 Wojciechowski
 10,231,557 B2 * 3/2019 Wilke A47F 7/0028
 2007/0071563 A1 3/2007 Snyder
 2008/0067301 A1 3/2008 Moss
 2009/0065389 A1 3/2009 Kleinsmith
 2010/0219093 A1 9/2010 Motadel
 2010/0252519 A1 10/2010 Harmers
 2011/0311750 A1 12/2011 McNeil
 2013/0180941 A1 7/2013 Tomaszewski
 2013/0244532 A1 9/2013 McNichols
 2014/0284436 A1 9/2014 Erwin
 2015/0076096 A1 3/2015 Brady
 2015/0213742 A1 7/2015 Chapman-Rickman
 2015/0374146 A1 12/2015 LeFevre
 2016/0144993 A1 5/2016 George
 2017/0057721 A1 3/2017 Lee

OTHER PUBLICATIONS

Stuffing Balloon Display Tree: Published Jun. 1, 2012 [online], site visited Sep. 19, 2019. Available from Internet URL: <https://www.keepsakestuffer.com/stuffing-balloon-display-tree-keepsake-stuffer-a-classy-way-to-gift-wrap/?revpage=2#reviews> (Year: 2012).
 Stobok Balloon column stand: Published Sep. 27, 2018 [online], site visited Sep. 19, 2019. Available from Internet URL: https://www.amazon.co.uk/dp/B07HR6C8BB/ref=cm_sw_r_tw_dp_U_x_wE.GDbR0X6AAJ (Year: 2018).
 Baloon Tree Holder Stand: Published Feb. 6, 2015 [online], site visited May 6, 2019. Available from Internet URL: https://www.amazon.co.uk/dp/B00T9TX6UE/ref=cm_sw_r_tw_dp_U_x_.ui0CbEFT6J4D (Year: 2015).

* cited by examiner

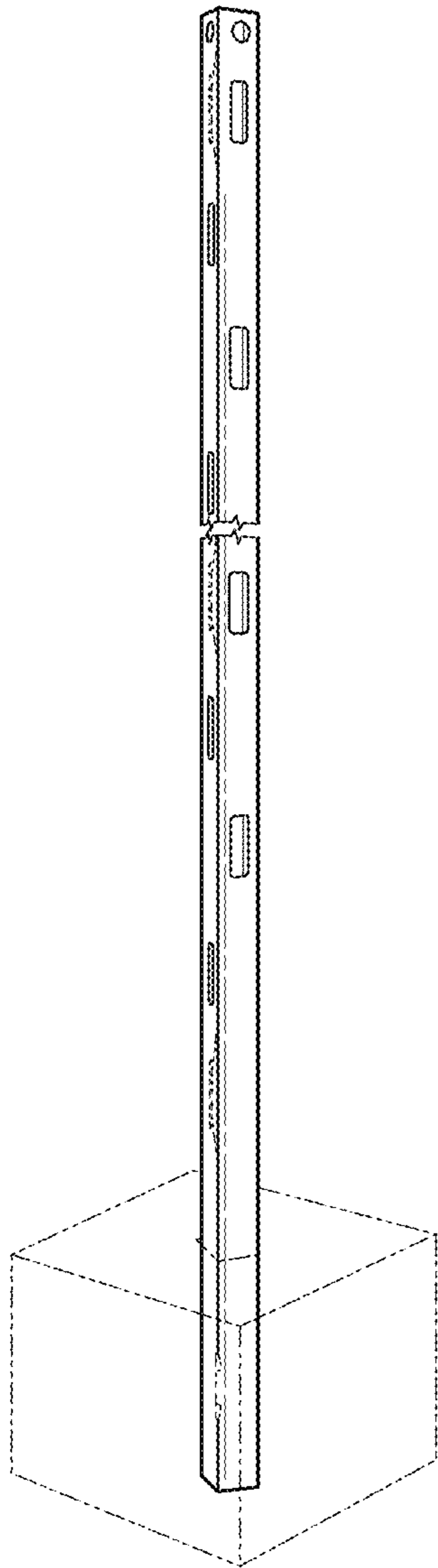


Fig. 1

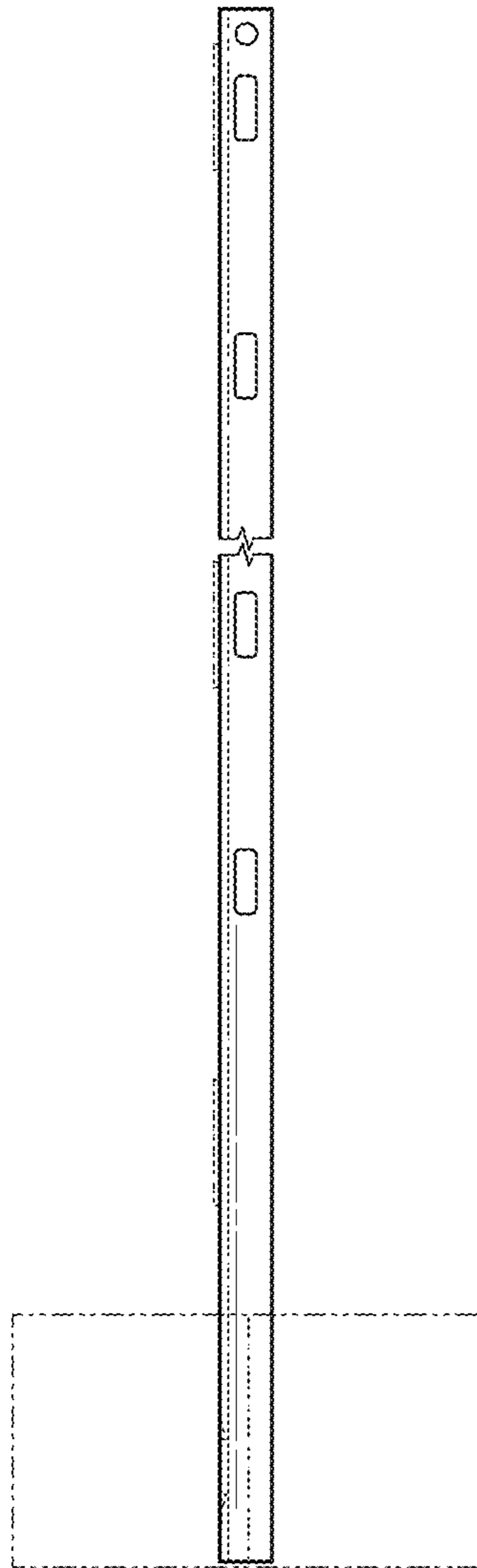


Fig. 2

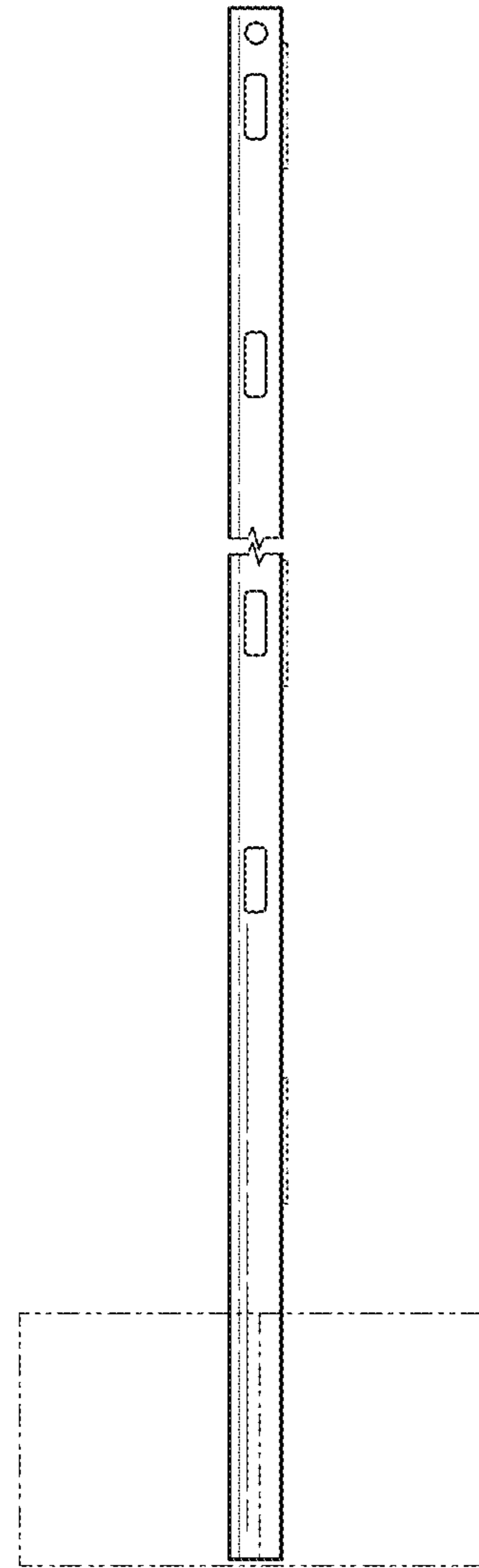


Fig. 3

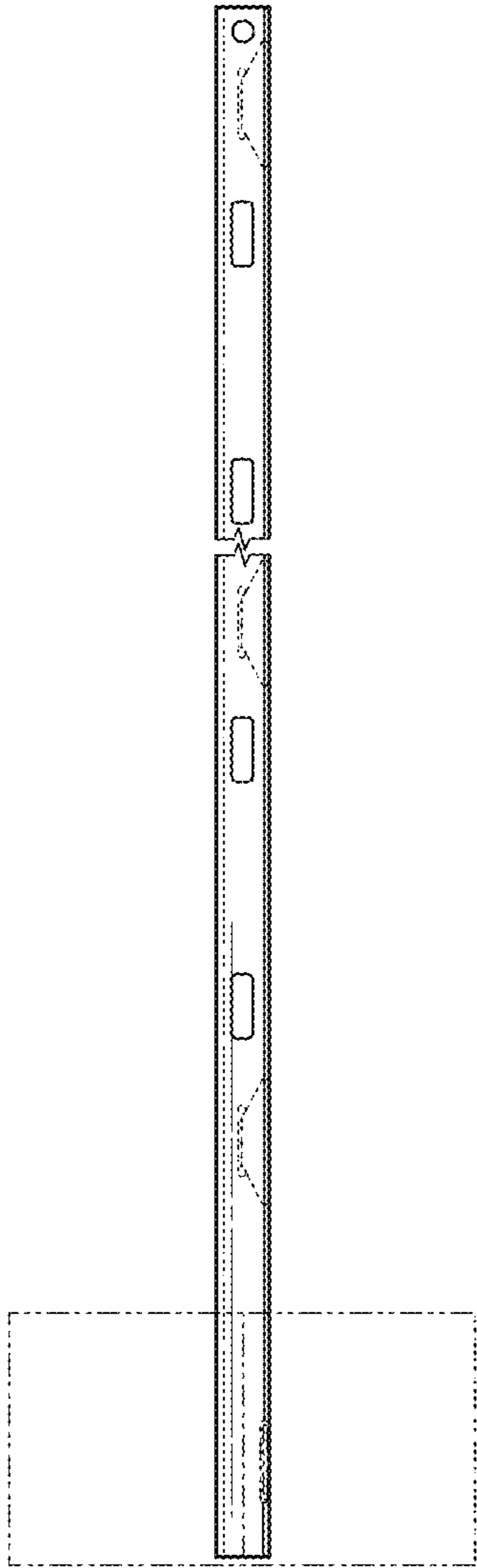


Fig. 4

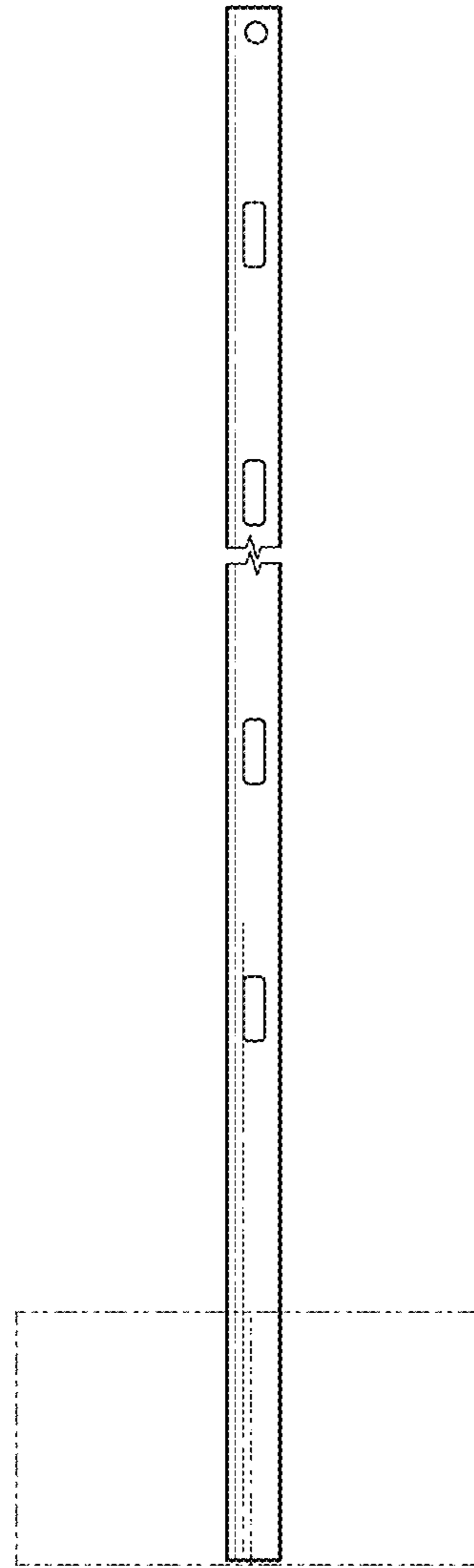


Fig. 5

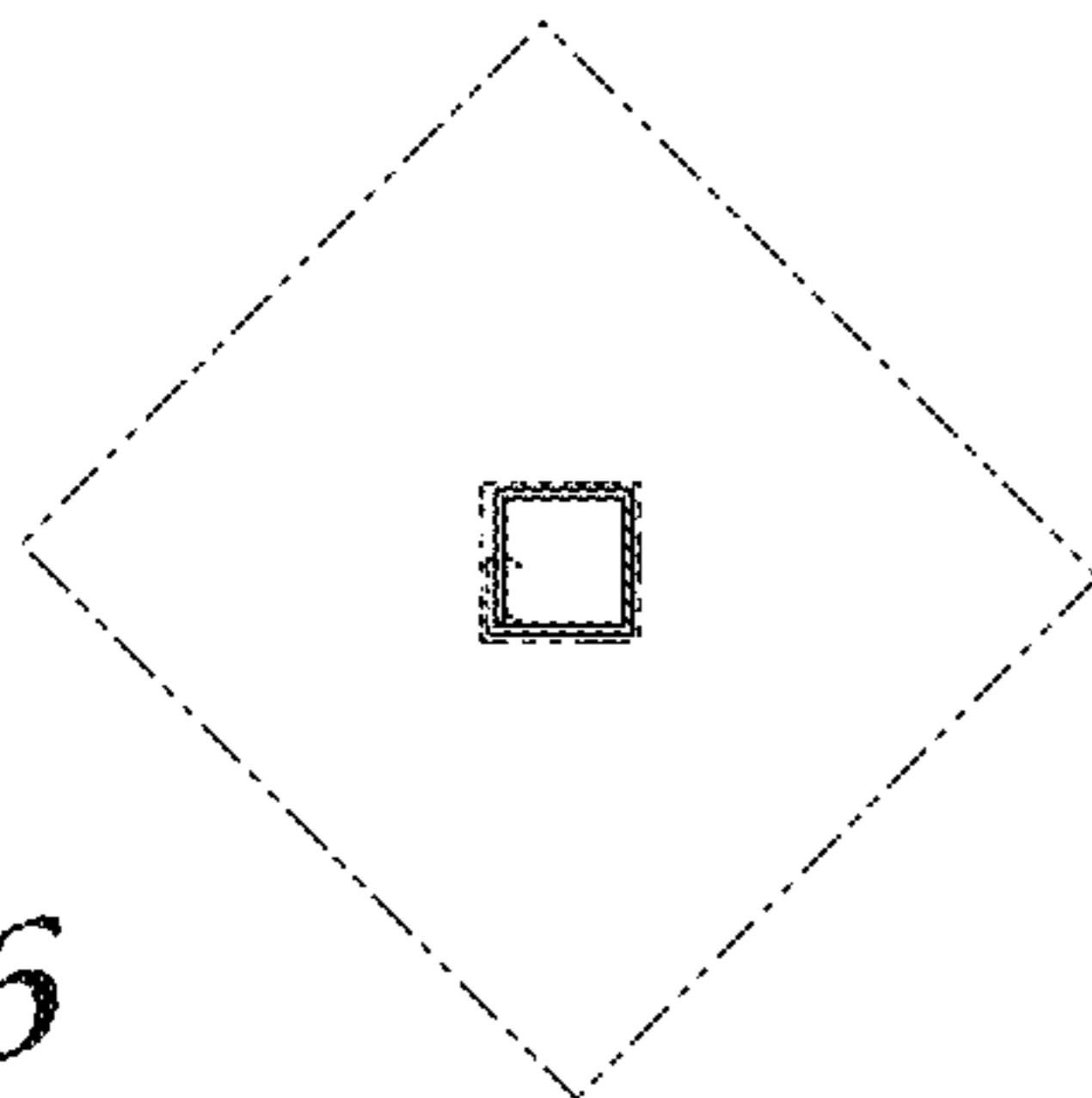


Fig. 6

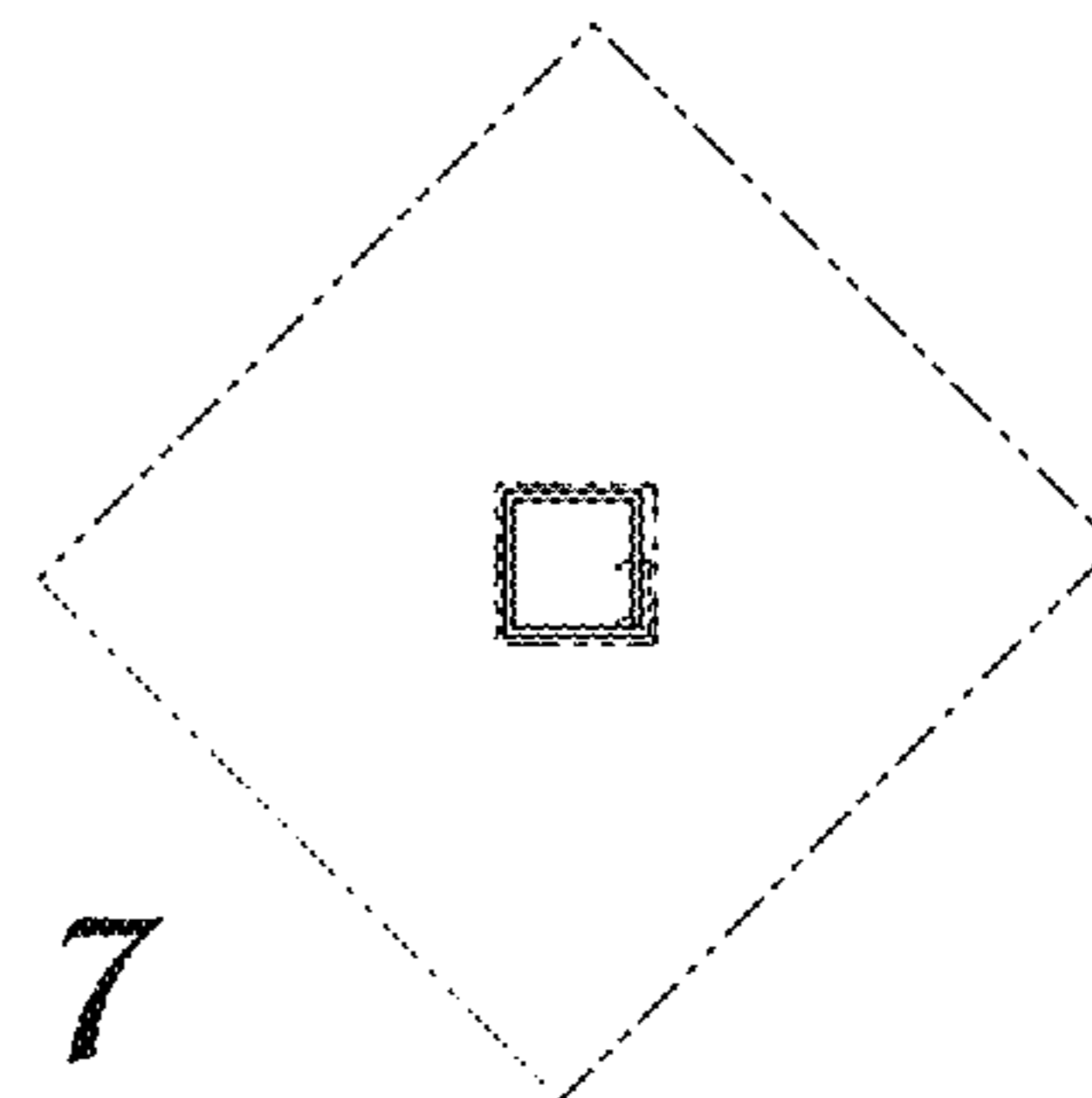


Fig. 7

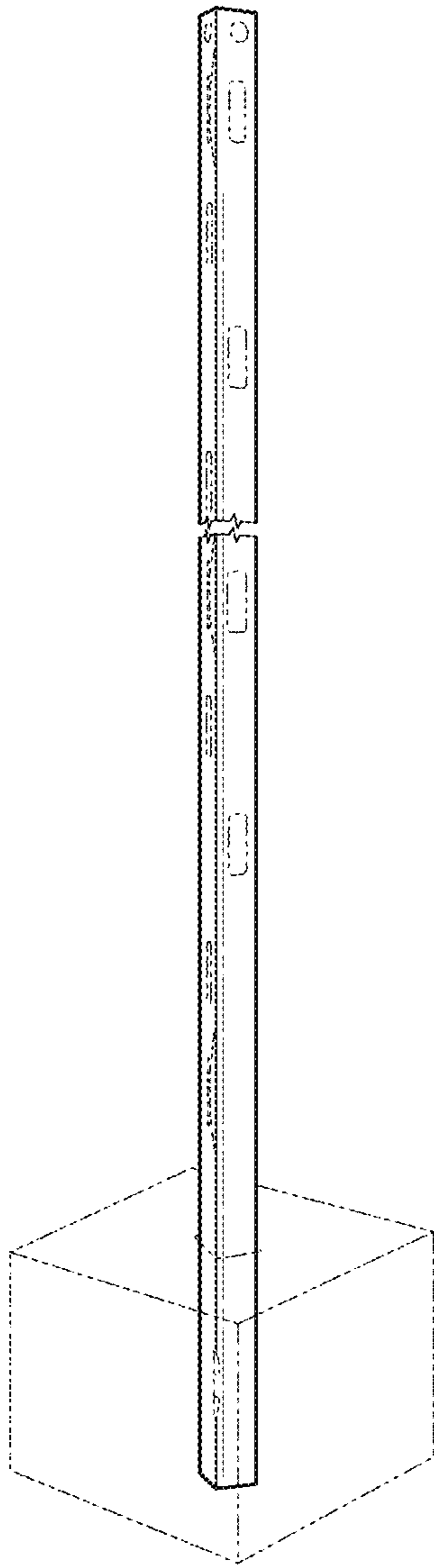


Fig. 8

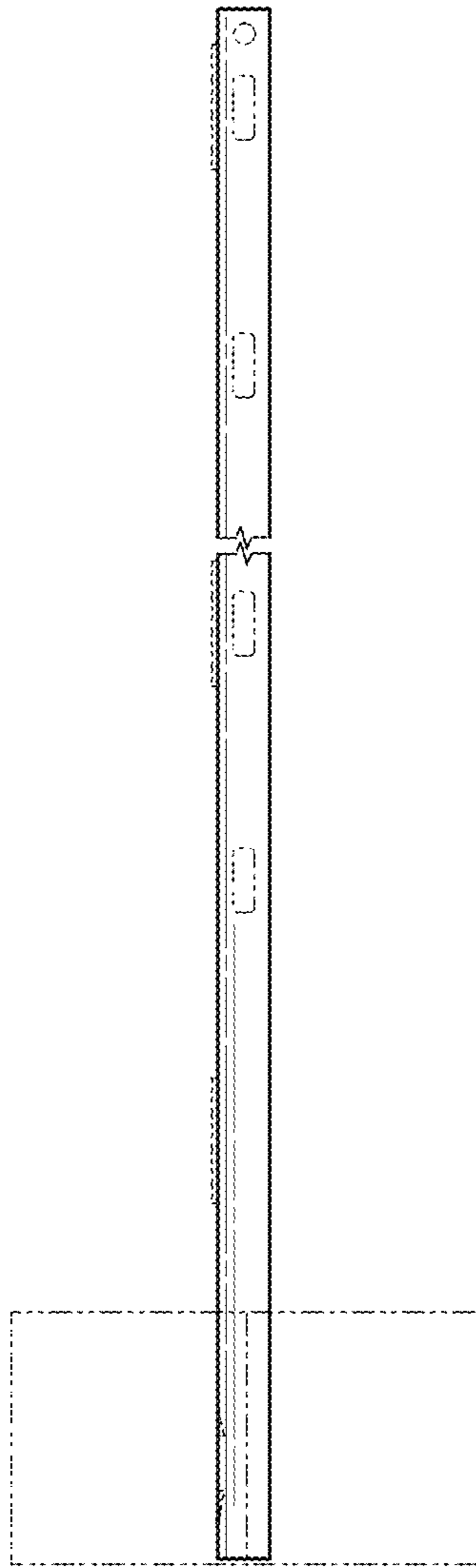


Fig. 9

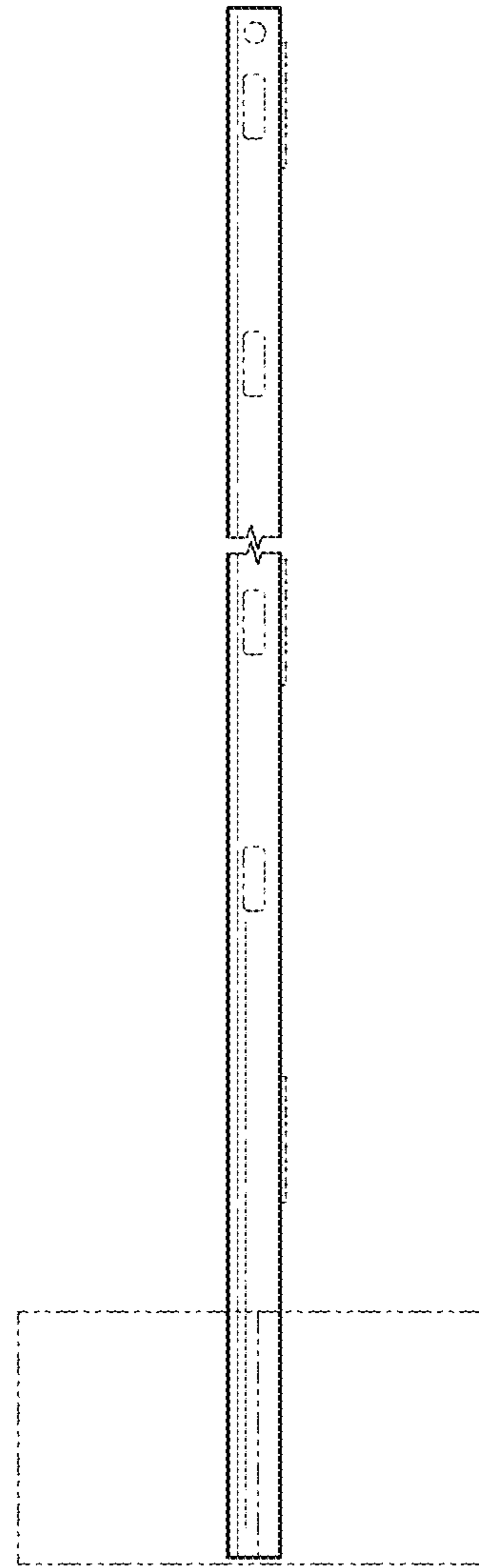


Fig. 10

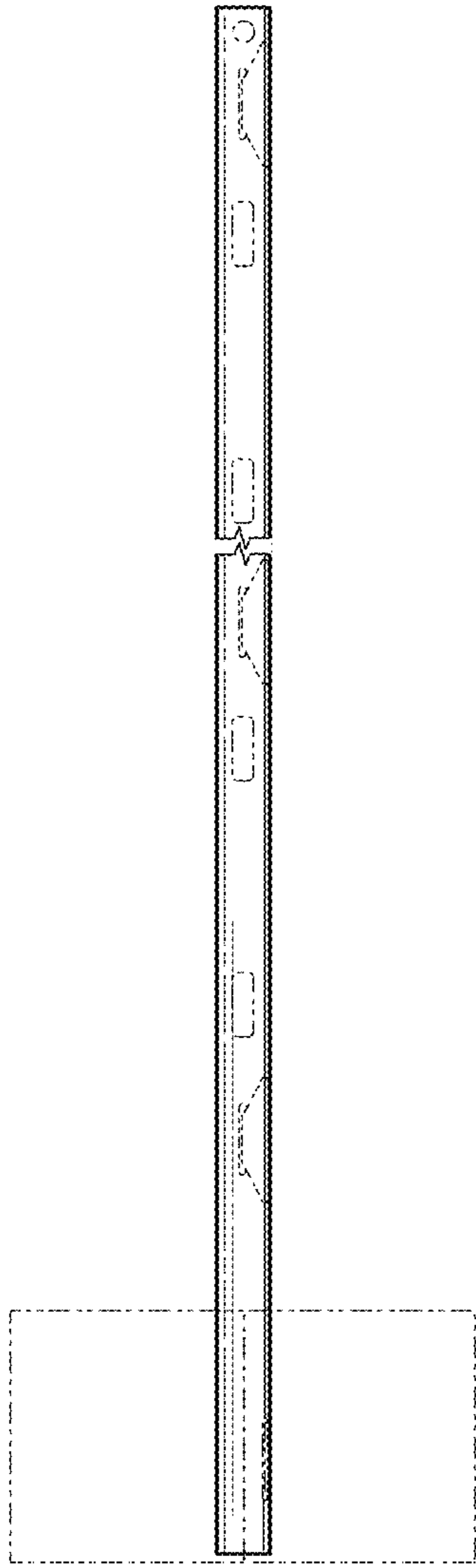


Fig. 11

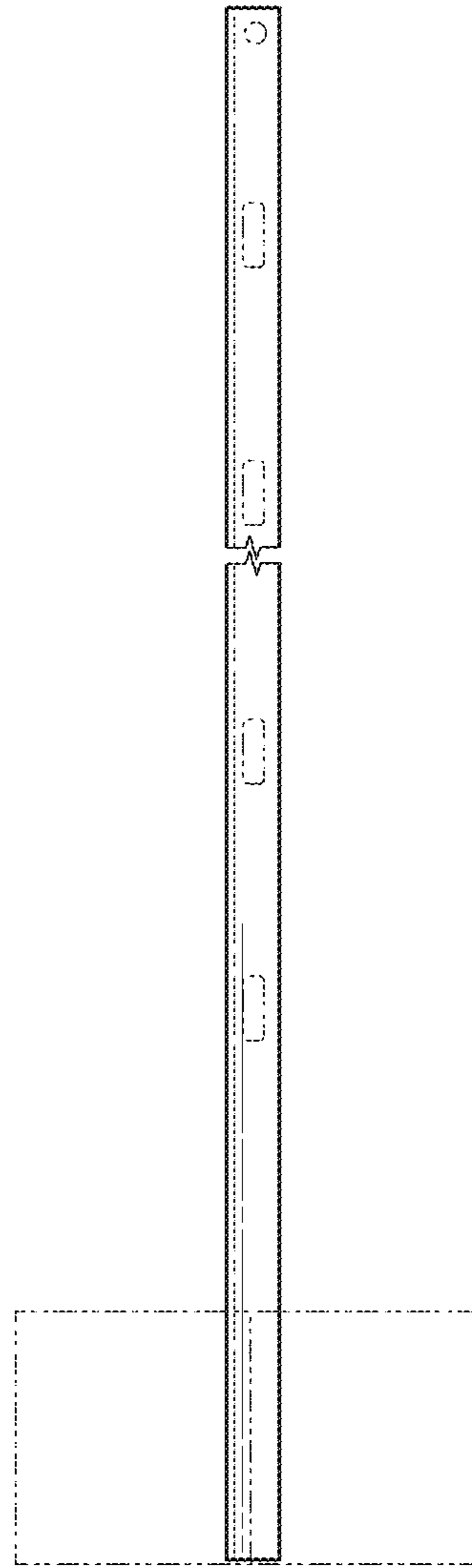


Fig. 12

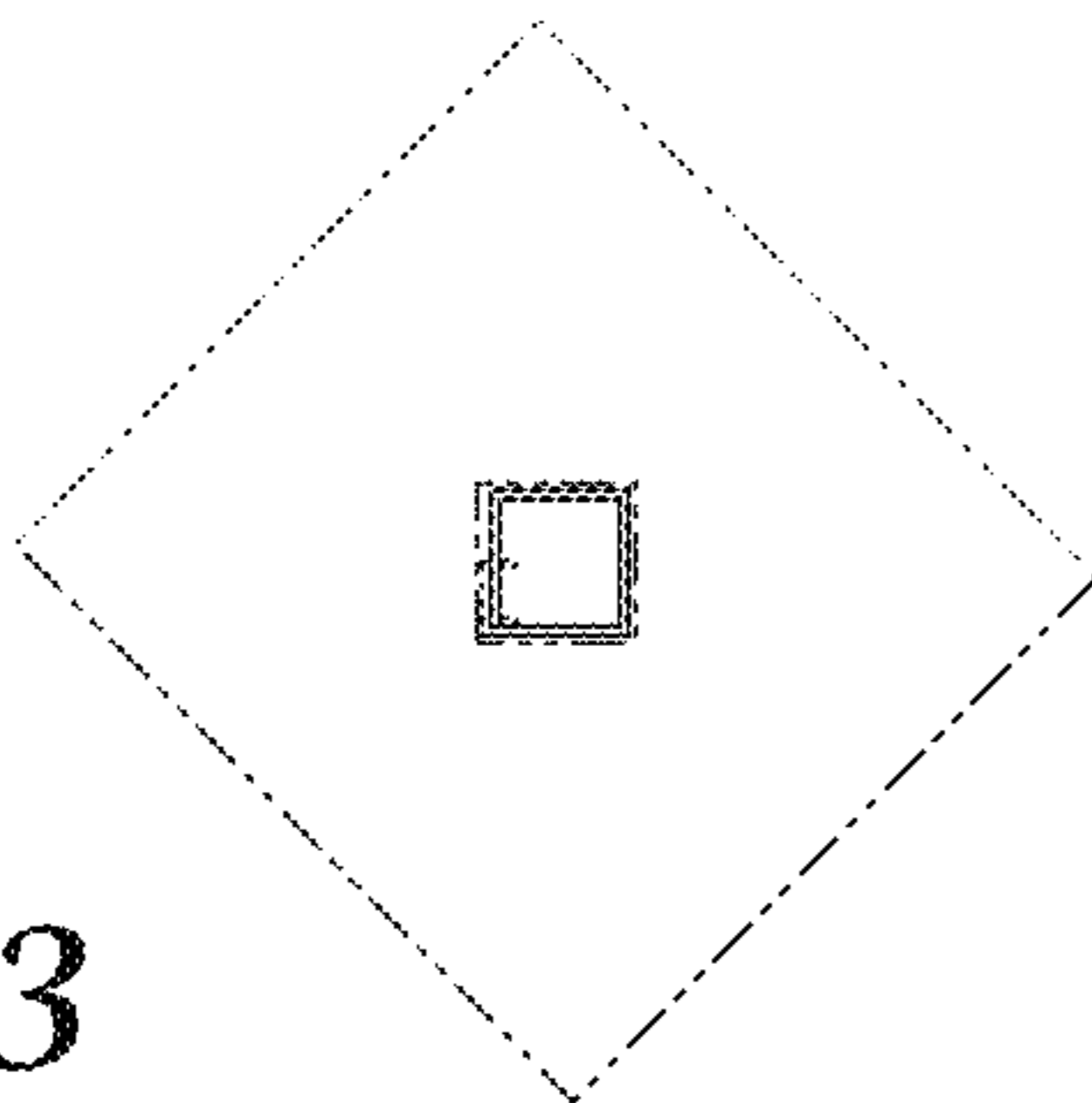


Fig. 13

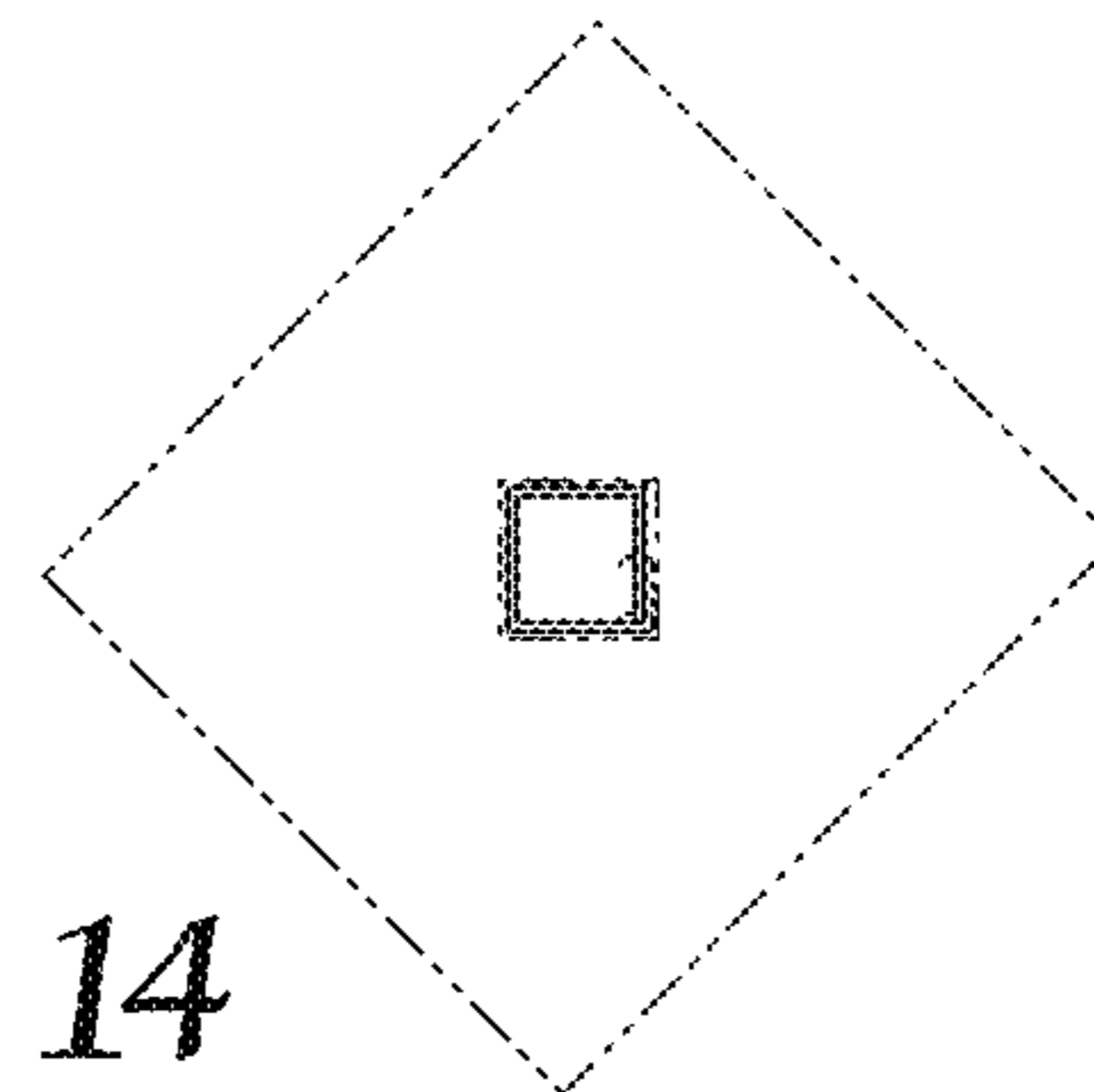


Fig. 14