



US00D881611S

(12) **United States Design Patent**
Nightingale

(10) **Patent No.:** **US D881,611 S**

(45) **Date of Patent:** **** Apr. 21, 2020**

(54) **TABLE**

(71) Applicant: **Dallasia, LLC**, Arlington, TX (US)

(72) Inventor: **Gary R Nightingale**, Arlington, TX (US)

(73) Assignee: **Dallasia, LLC**, Arlington, TX (US)

(**) Term: **15 Years**

(21) Appl. No.: **29/616,099**

(22) Filed: **Sep. 1, 2017**

(51) **LOC (12) Cl.** **06-03**

(52) **U.S. Cl.**

USPC **D6/656.17**; D6/656.19

(58) **Field of Classification Search**

USPC D6/641, 642, 654, 654.16, 654.21,
D6/654.23, 685, 686, 691, 691.1-691.9,
D6/656, 656.13, 656.16, 656.17, 656.19

CPC .. A47B 7/00; A47B 9/00; A47B 13/00; A47B
21/00; A47B 21/0314; A47B 2200/0006;
A47B 2200/0039; A47B 2200/0041

See application file for complete search history.

(56) **References Cited**

U.S. PATENT DOCUMENTS

3,290,108	A *	12/1966	Beckman	A47B 17/04
					108/25
D208,709	S *	9/1967	Barecki	D16/232
D266,467	S *	10/1982	Ylanko	A47B 13/088
					D6/654.23
D322,729	S *	12/1991	Diffrient	D6/656.17
D674,625	S *	1/2013	Mecherle	D6/691
8,749,959	B2 *	6/2014	Riley	A47B 21/0073
					361/679.02
D715,080	S *	10/2014	Thornley	A47B 17/04
					D6/707.19
2005/0145142	A1 *	7/2005	Korber	A47B 21/0073
					108/50.01

(Continued)

OTHER PUBLICATIONS

Dallasia, LLC d/b/a Frasch, "frasch workspace evolved" catalog, Nov. 2, 2016, p. 11, United States.

(Continued)

Primary Examiner — Mary Ann Calabrese

(74) *Attorney, Agent, or Firm* — Timothy G. Ackermann

(57) **CLAIM**

The ornamental design for a table, as shown and described.

DESCRIPTION

FIG. 1 is a top perspective view of a first embodiment of a table.

FIG. 2 is a bottom perspective view thereof.

FIG. 3 is a top view thereof.

FIG. 4 is a bottom view thereof.

FIG. 5 is a left view thereof, which is the same as the right view.

FIG. 6 is a front view thereof, which is the same as the rear view.

FIG. 7 is a top perspective view of a second embodiment of a table.

FIG. 8 is a bottom perspective view thereof.

FIG. 9 is a top view thereof.

FIG. 10 is a bottom view thereof.

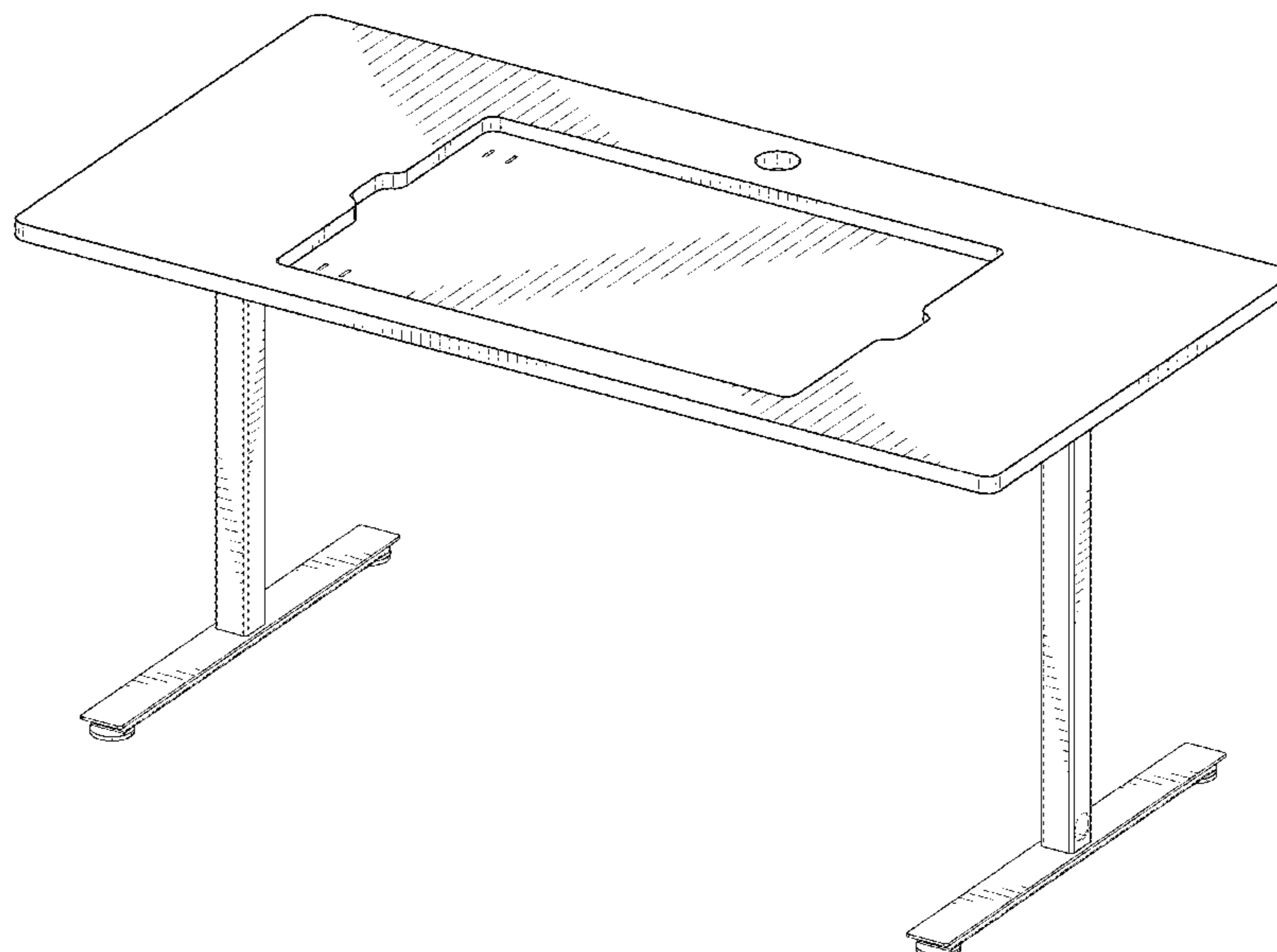
FIG. 11 is a left view thereof, which is the same as the right view; and,

FIG. 12 is a front view thereof, which is the same as the rear view.

The table is shown with a symbolic break in its length and width. The appearance of any portion of the table between the break lines forms no part of the claimed design.

The broken lines illustrate portions of the table that form no part of the claimed design.

1 Claim, 12 Drawing Sheets



(56)

References Cited

U.S. PATENT DOCUMENTS

2012/0250238 A1* 10/2012 Cao A47B 21/007
361/679.21
2018/0360207 A1* 12/2018 Neudeck A47B 13/088

OTHER PUBLICATIONS

Dallasia, LLC d/b/a Frasch, "frasch workspace evolved" catalog pp.
12-13, Mar. 6, 2017, United States.

* cited by examiner

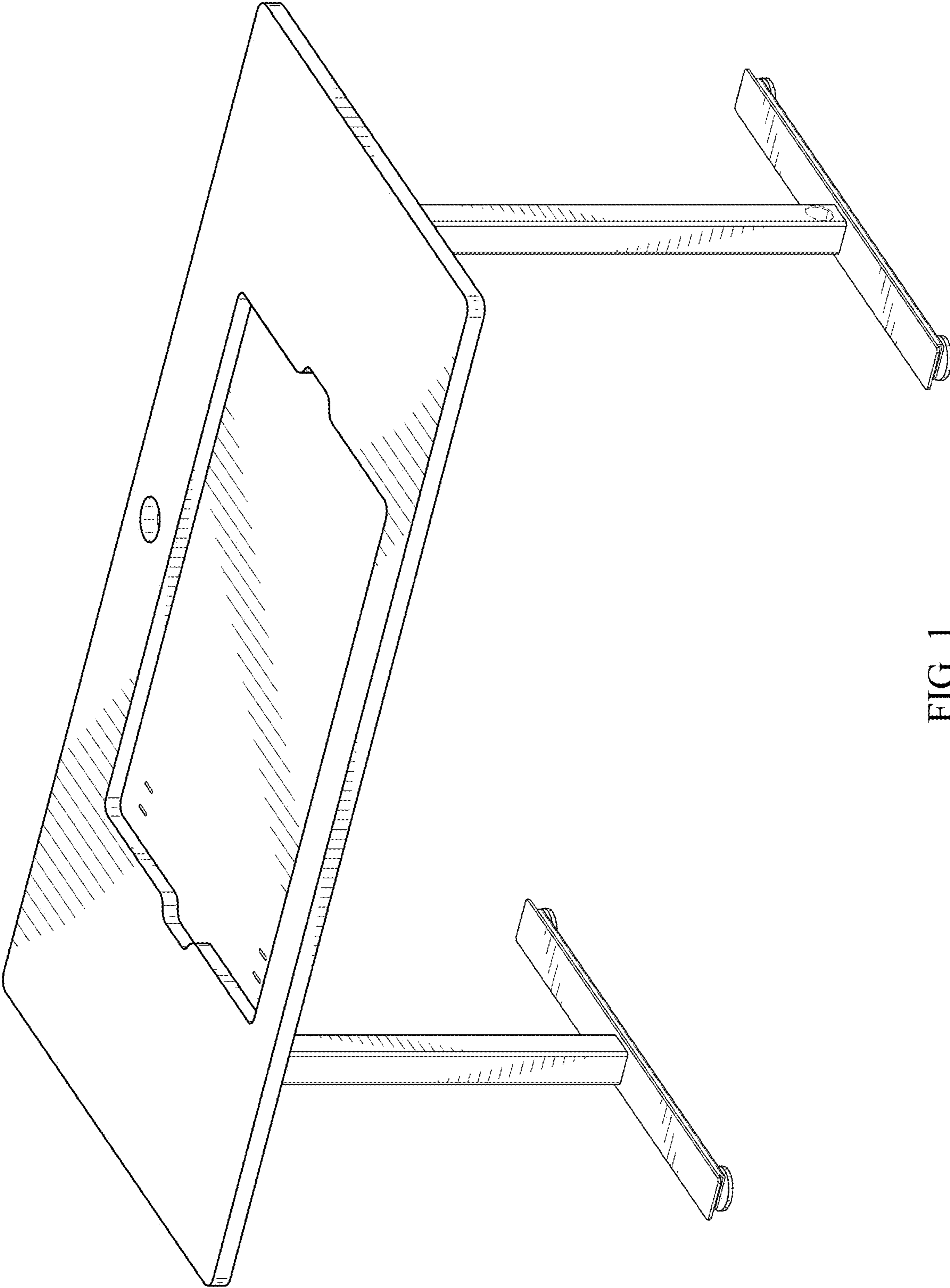


FIG. 1

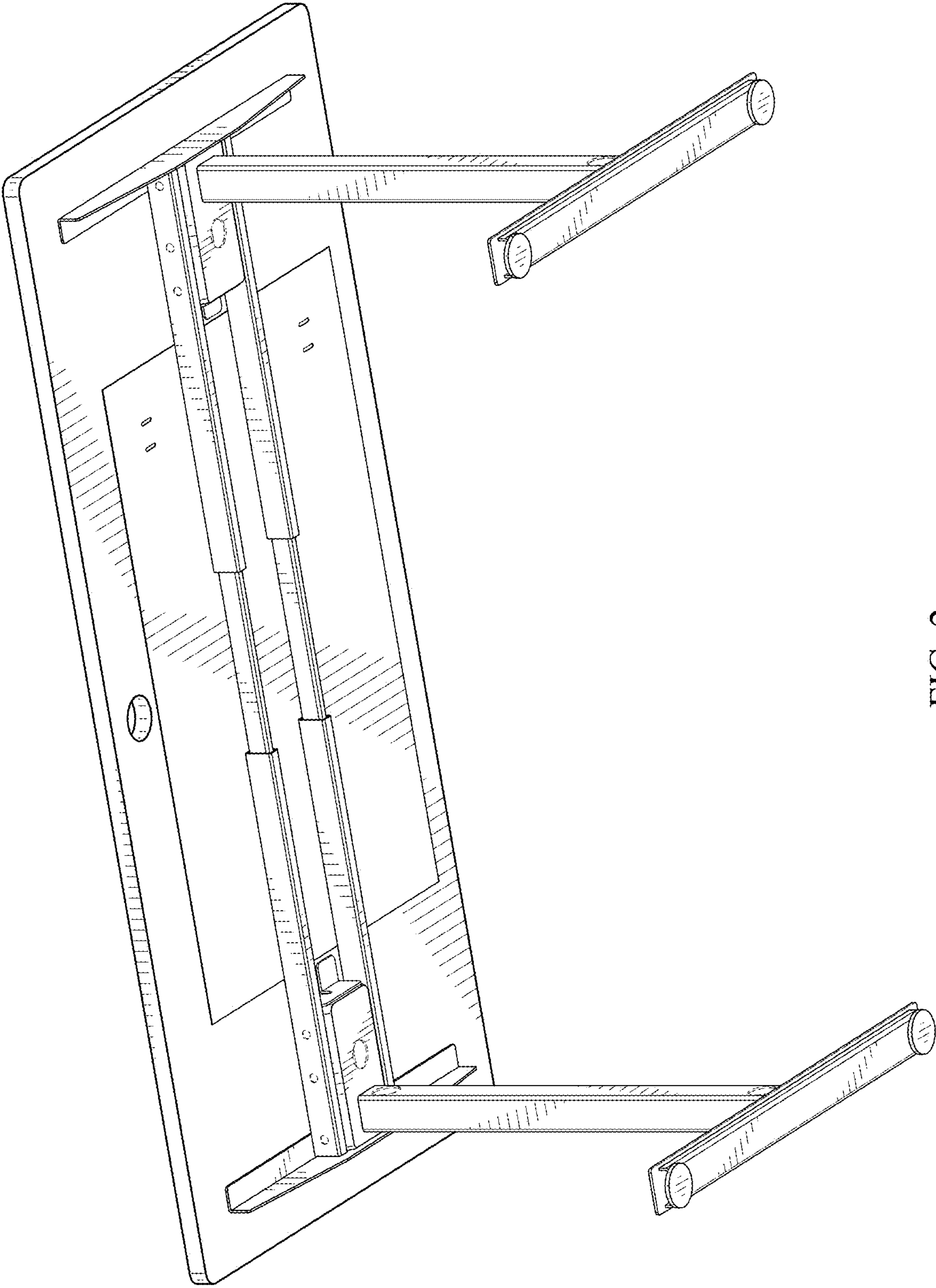


FIG. 2

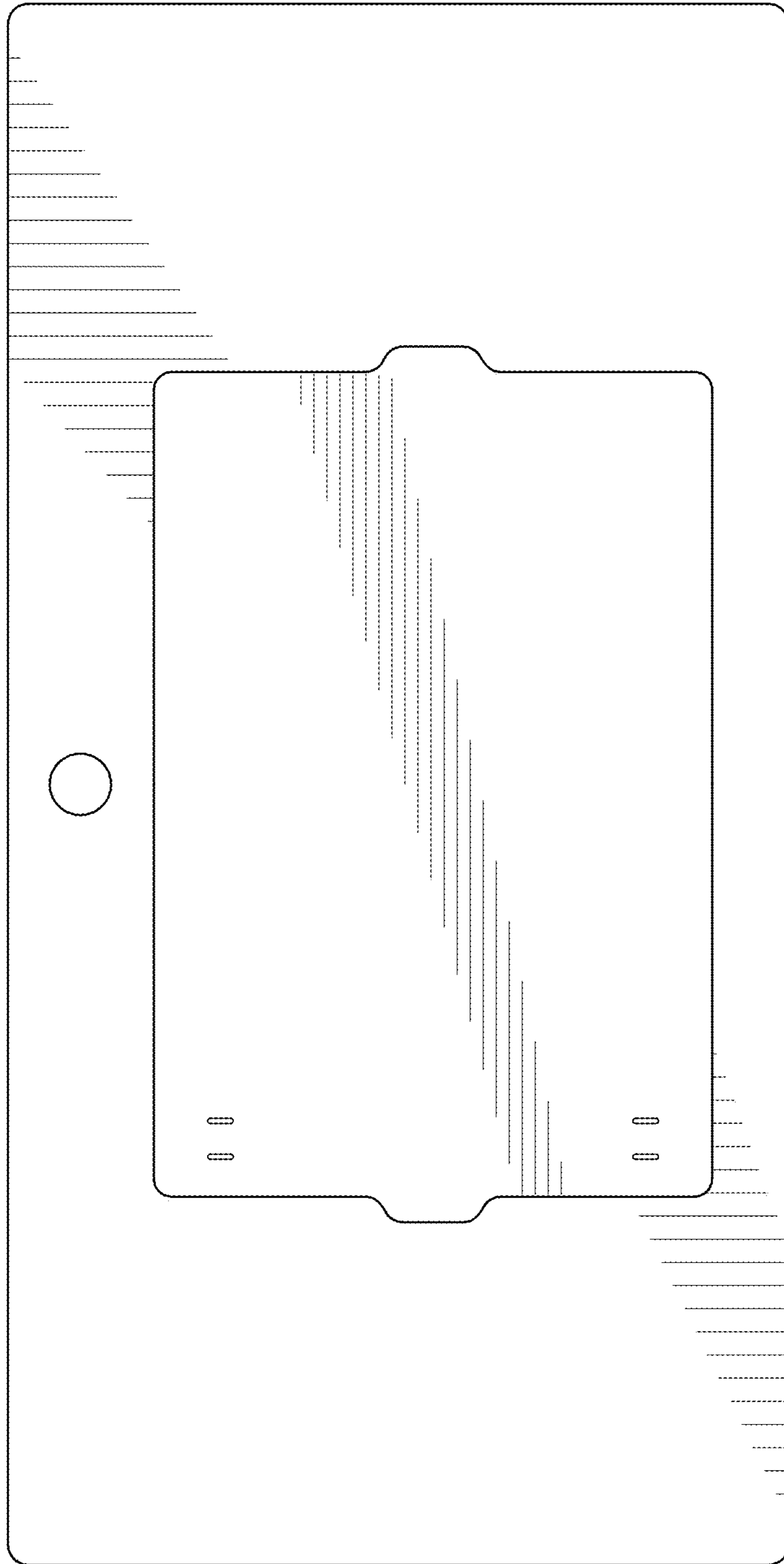


FIG. 3

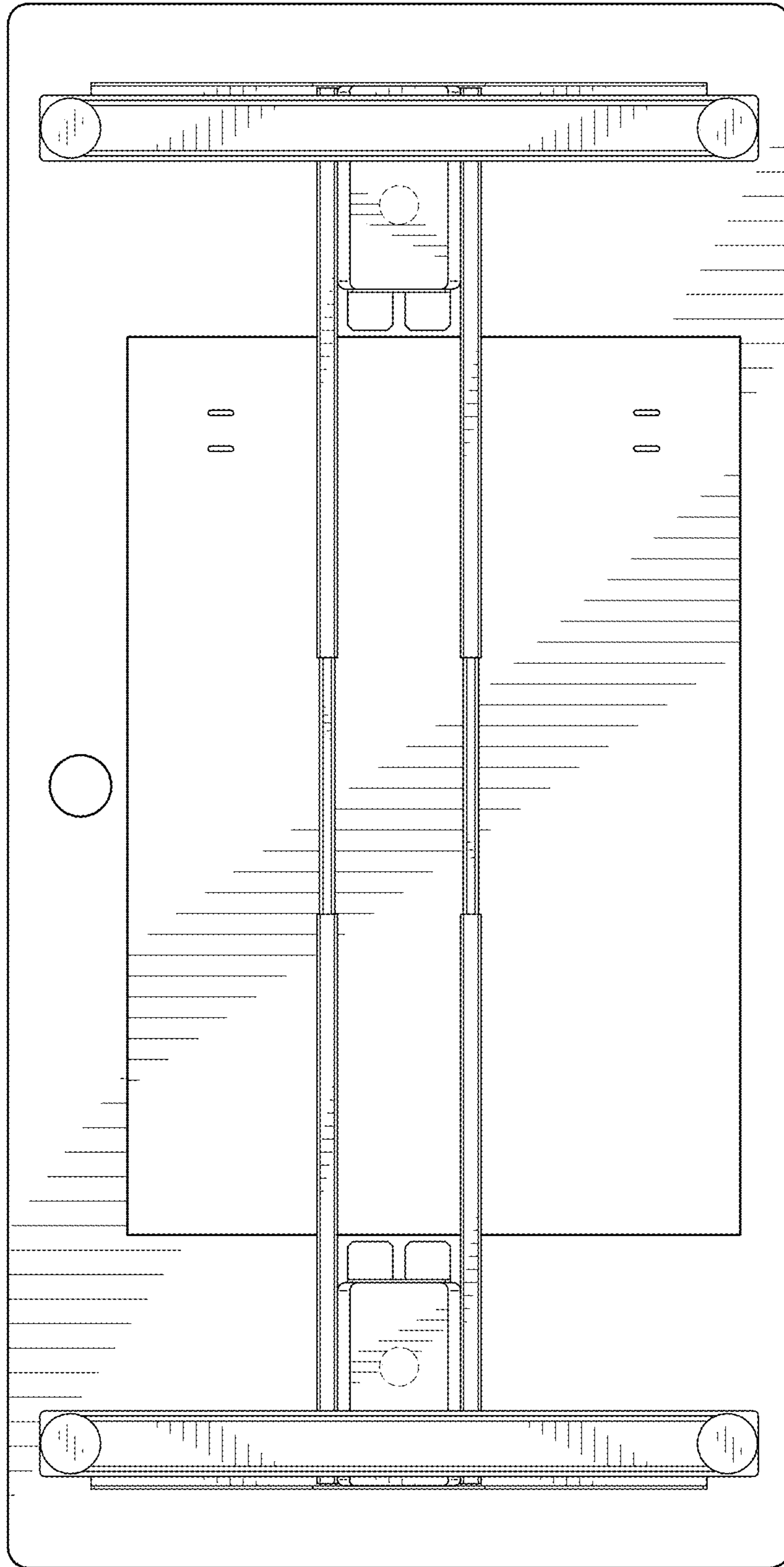


FIG. 4

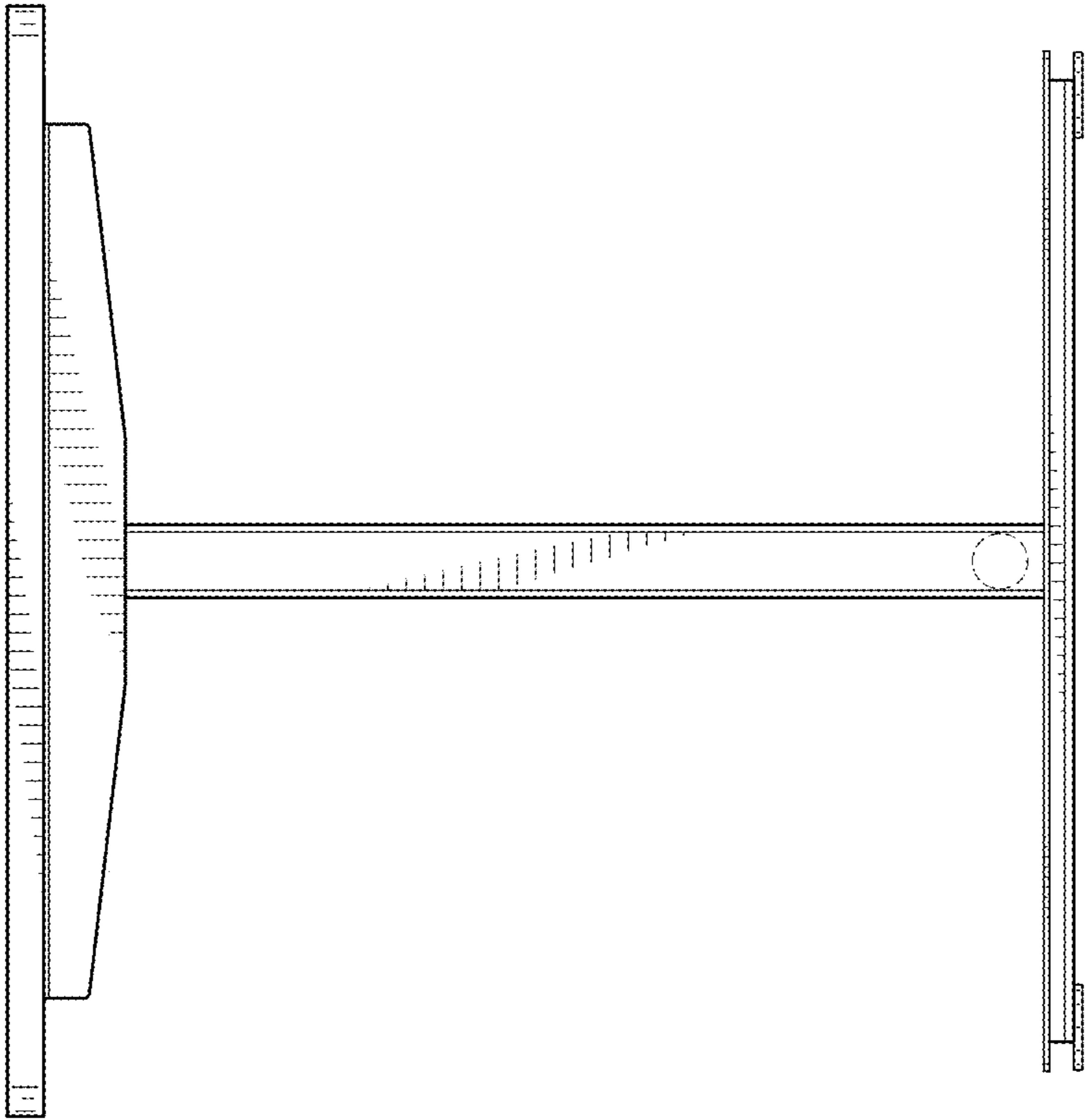


FIG. 5

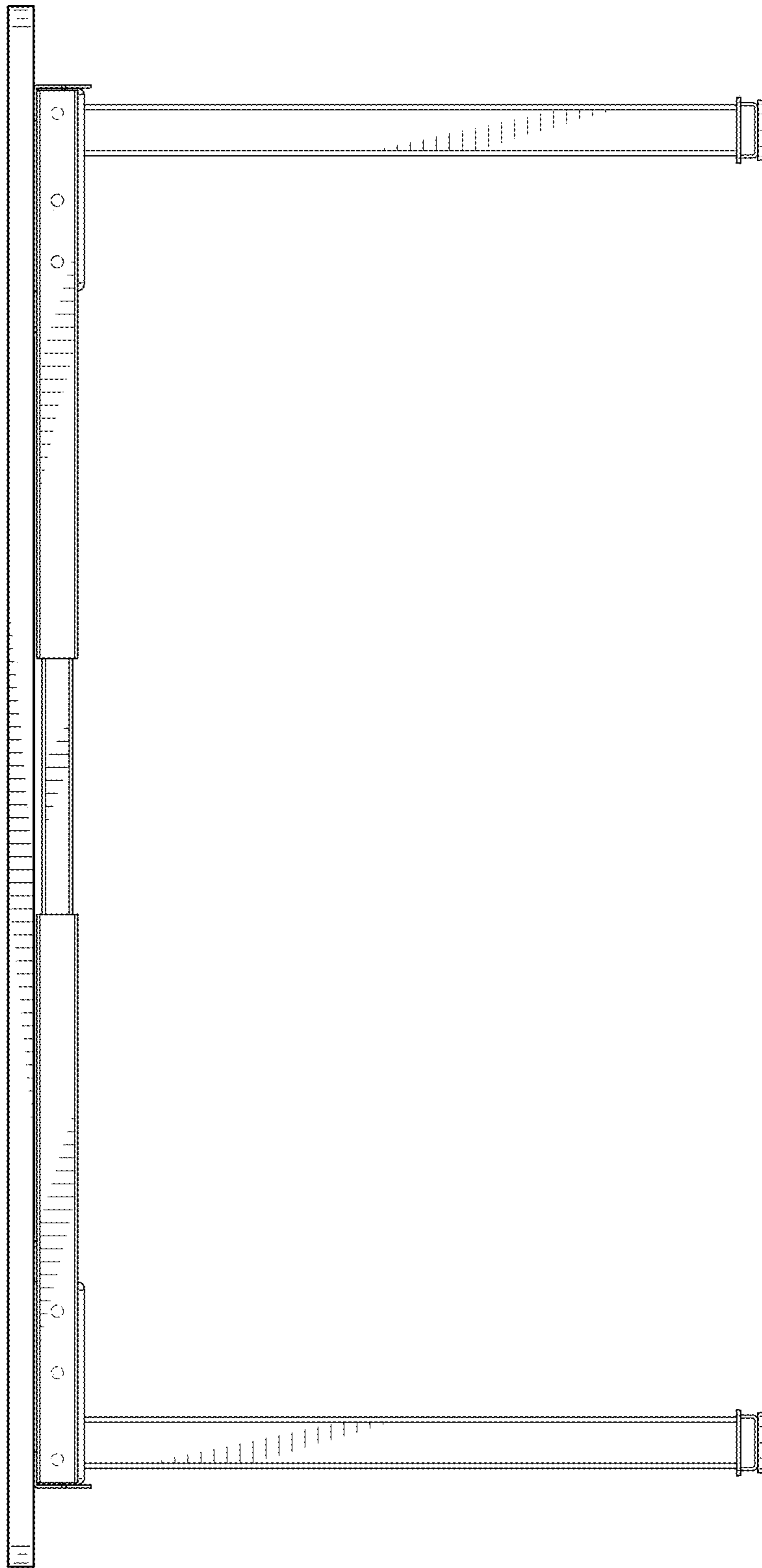


FIG. 6

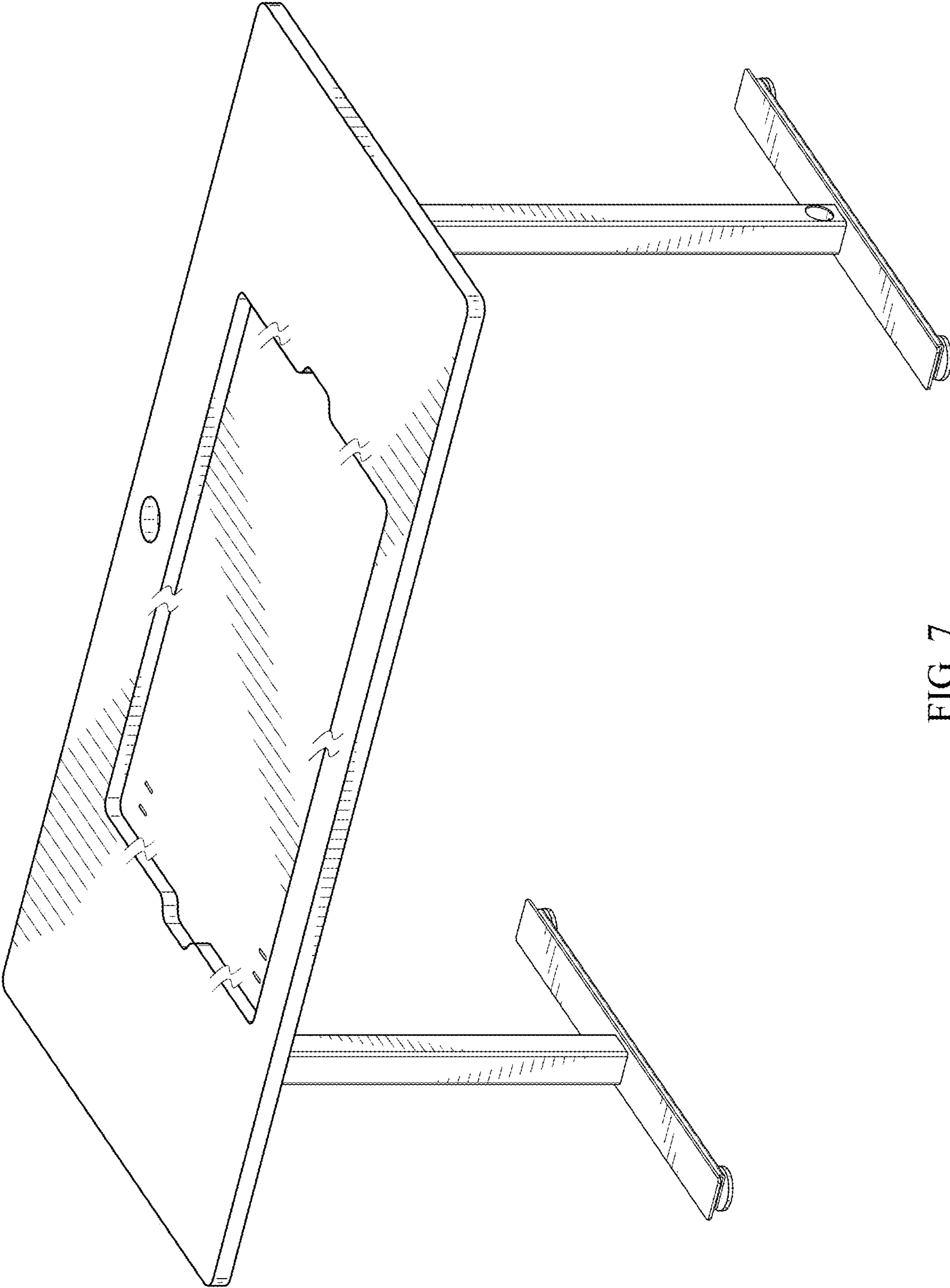


FIG. 7

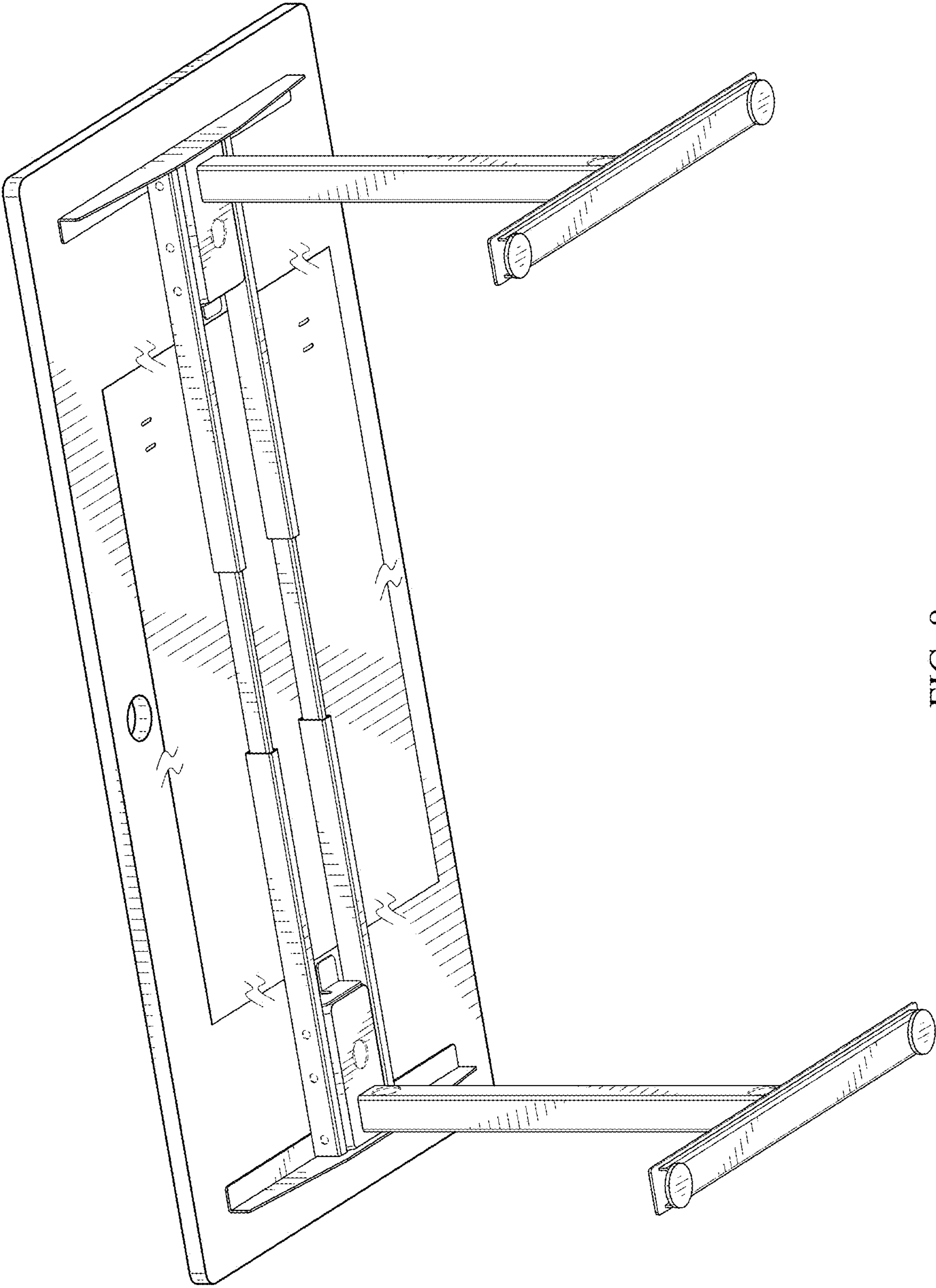


FIG. 8

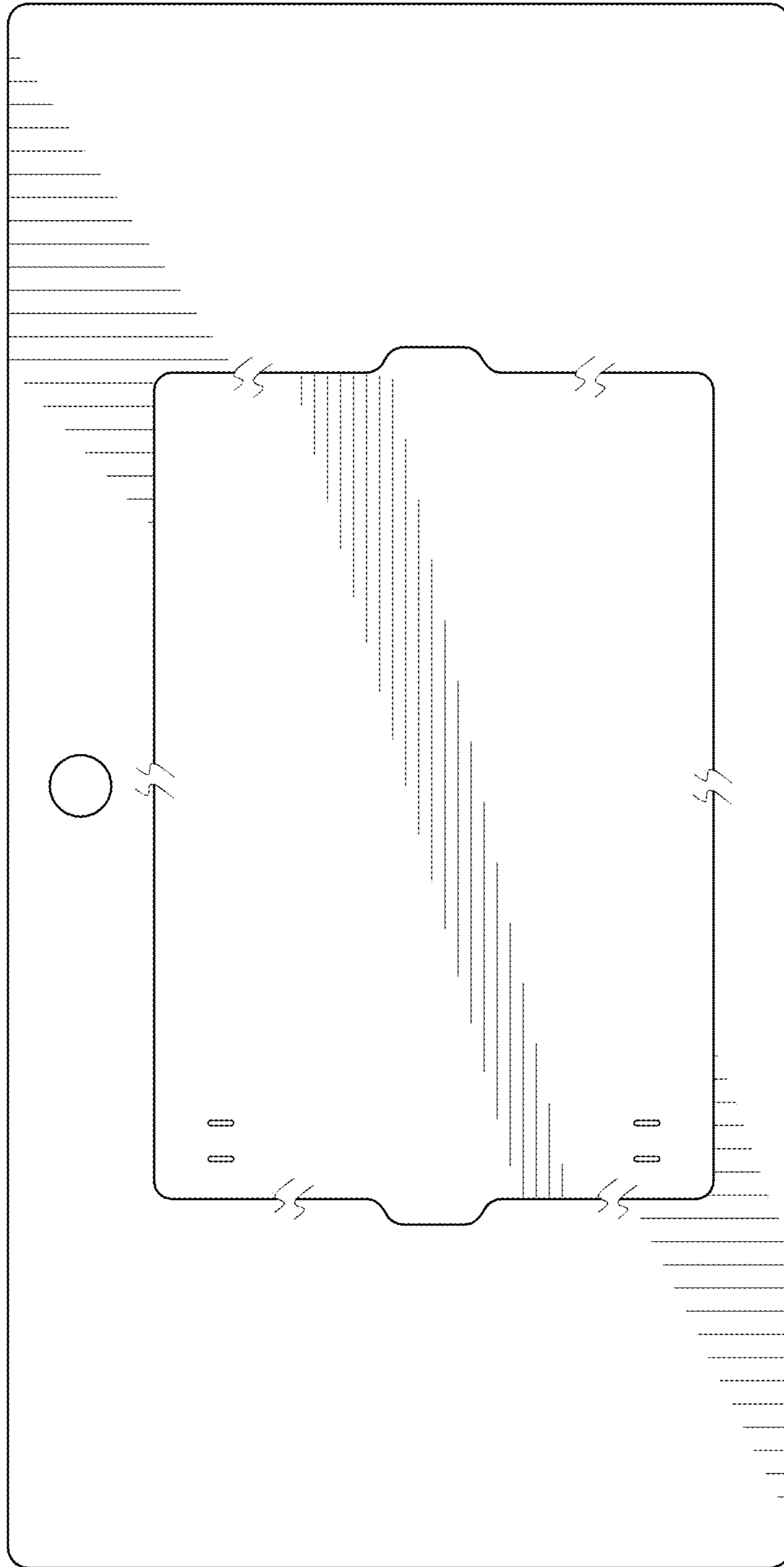


FIG. 9

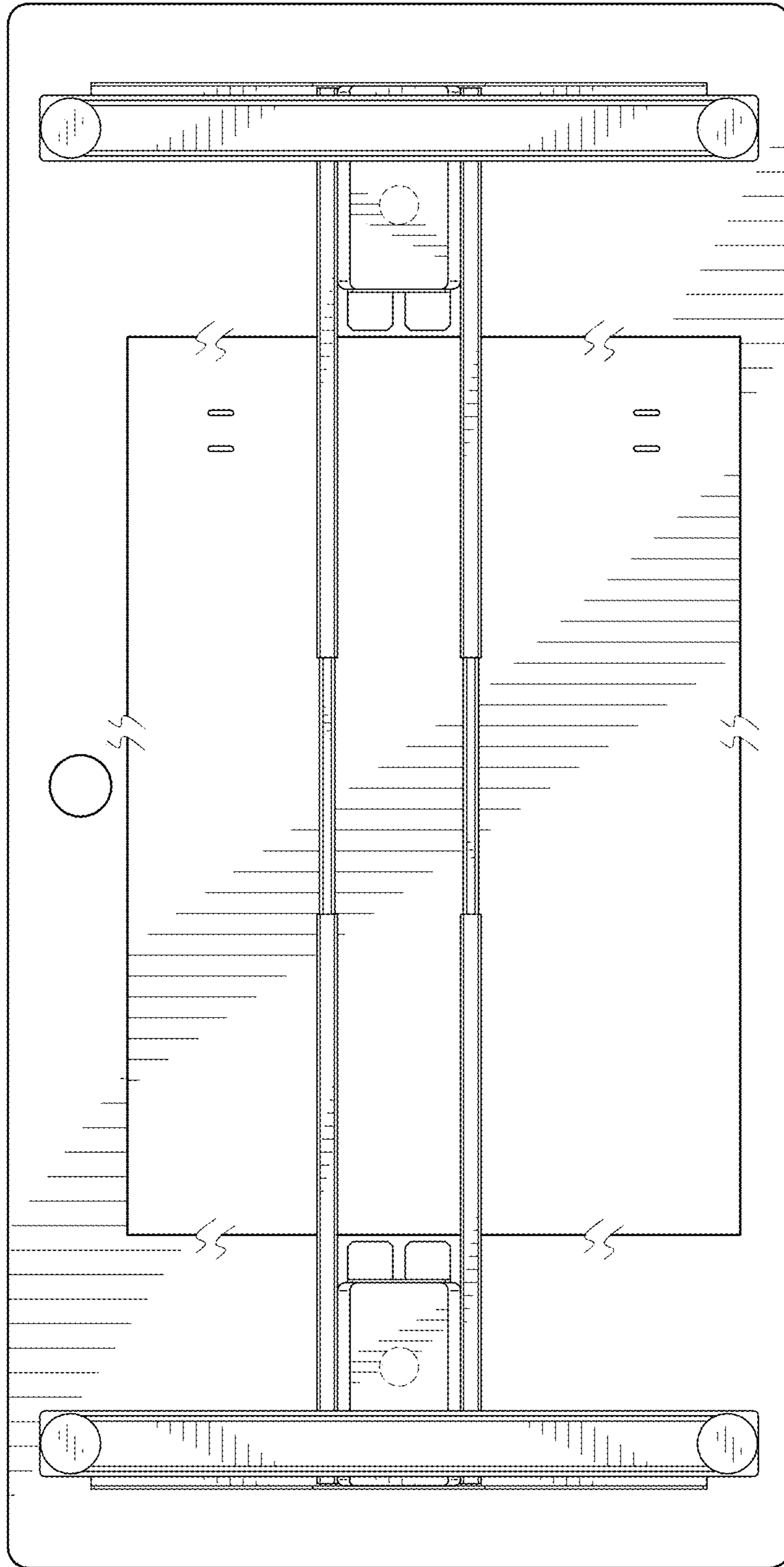


FIG. 10

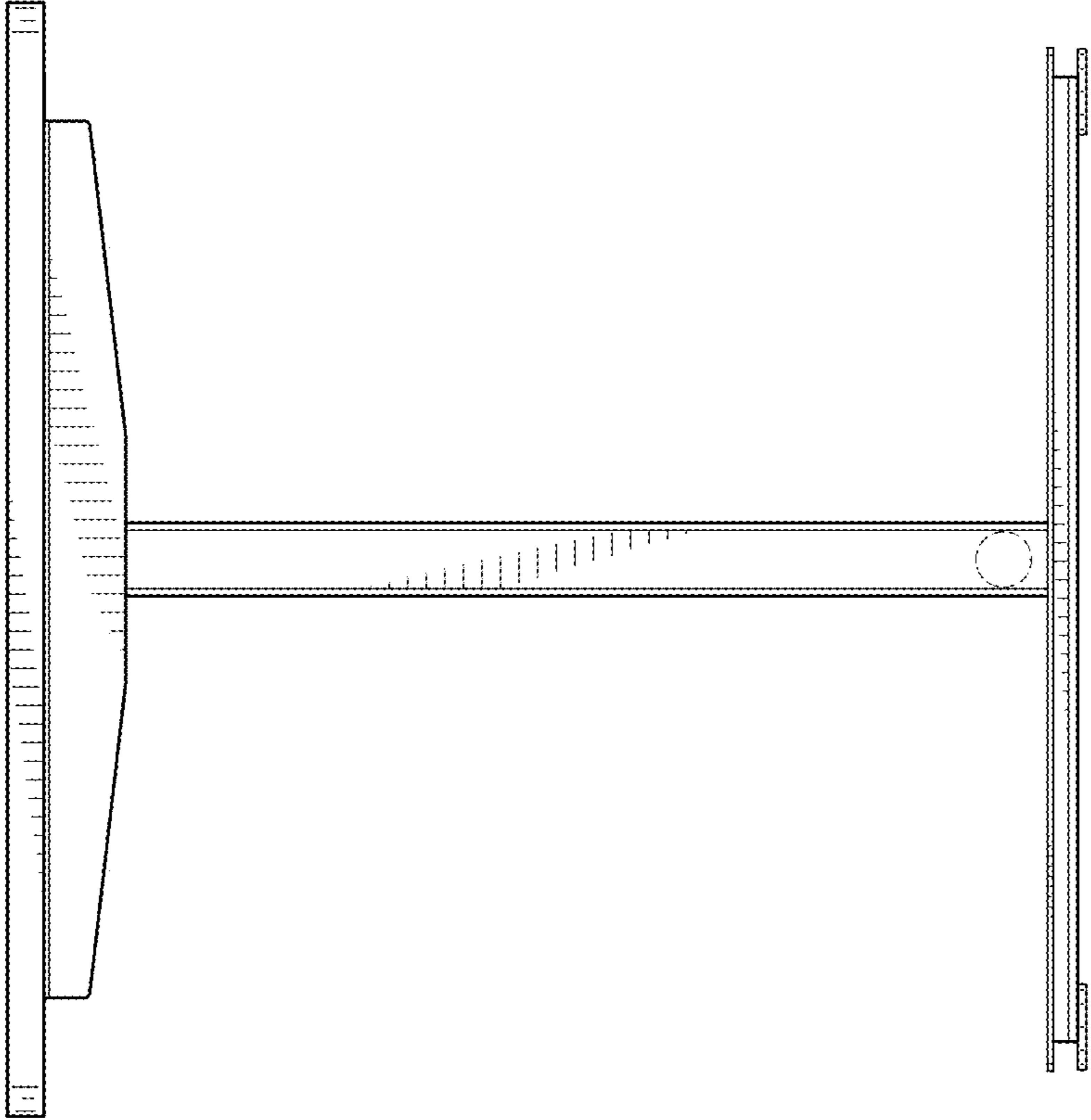


FIG. 11

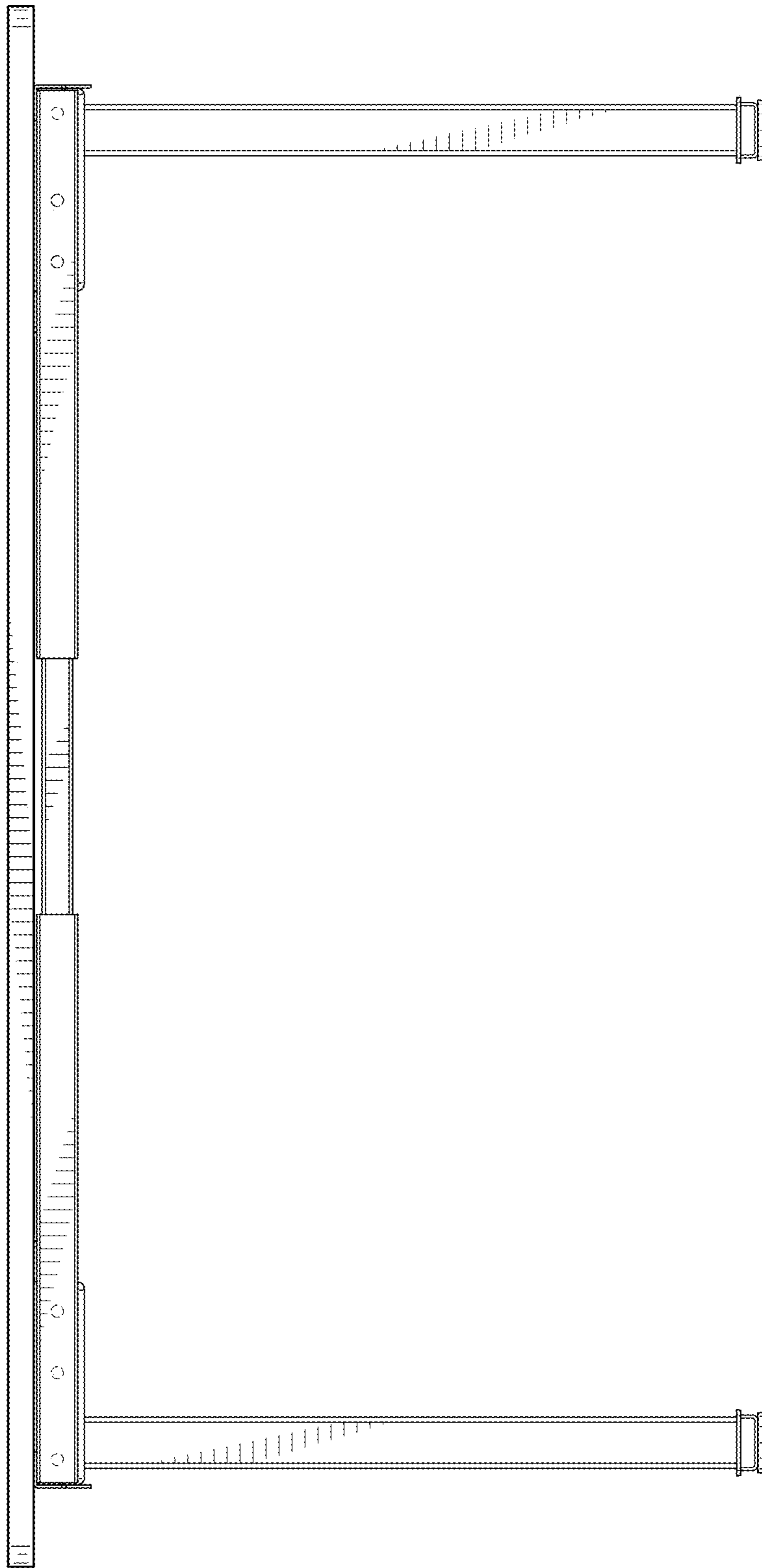


FIG. 12