



US00D881604S

(12) **United States Design Patent**
Huang et al.

(10) **Patent No.:** **US D881,604 S**
(45) **Date of Patent:** **** Apr. 21, 2020**

(54) **SPA HEADREST**
(71) Applicant: **Intex Marketing Ltd.**, Tortola (VG)
(72) Inventors: **Zhixiong Huang**, Fujian (CN);
Wenxiao Zhang, Fujian (CN); **Yaw Yuan Hsu**, Fujian (CN)

6,513,176 B1 * 2/2003 Najar A45D 44/10
4/519
7,310,835 B2 * 12/2007 Walker A47K 3/125
4/541.1
D577,943 S * 10/2008 Larsen D6/601
(Continued)

(73) Assignee: **Intex Marketing Ltd.**, Tortola (VG)
(**) Term: **15 Years**

FOREIGN PATENT DOCUMENTS
CN 204181868 3/2015
EP 1920691 12/2011

(21) Appl. No.: **29/659,381**
(22) Filed: **Aug. 8, 2018**

OTHER PUBLICATIONS

Spa Headrest—Intex Recreation Corp. (on-line), no date available.
Retrieved from Internet Nov. 27, 2019, URL: <https://www.intexcorp.com/products/spas/spa-accessories/spa-headrest/> (2 pages).
(Continued)

(30) **Foreign Application Priority Data**
Feb. 11, 2018 (CN) 2018 2 0245818 U
Jun. 7, 2018 (CN) 2018 3 0284752

Primary Examiner — Kevin K Rudzinski
Assistant Examiner — Kimberly Barnes
(74) *Attorney, Agent, or Firm* — Faegre Drinker Biddle & Reath LLP

(51) **LOC (12) Cl.** **06-09**
(52) **U.S. Cl.**
USPC **D6/601**
(58) **Field of Classification Search**
USPC D6/601, 382, 383; 4/575.1; D23/303
CPC A47G 2009/1018; A47G 9/10; A47G 9/1081; A47G 9/0253; A47G 9/1045; A47G 9/1072; A61G 7/072; A61G 13/121; A61G 7/07; A61G 13/1225; A47C 16/005; A47C 20/00; A47C 20/02; A47C 20/027; A47C 20/04; A47K 3/125; A61H 33/60; A61H 33/0087
See application file for complete search history.

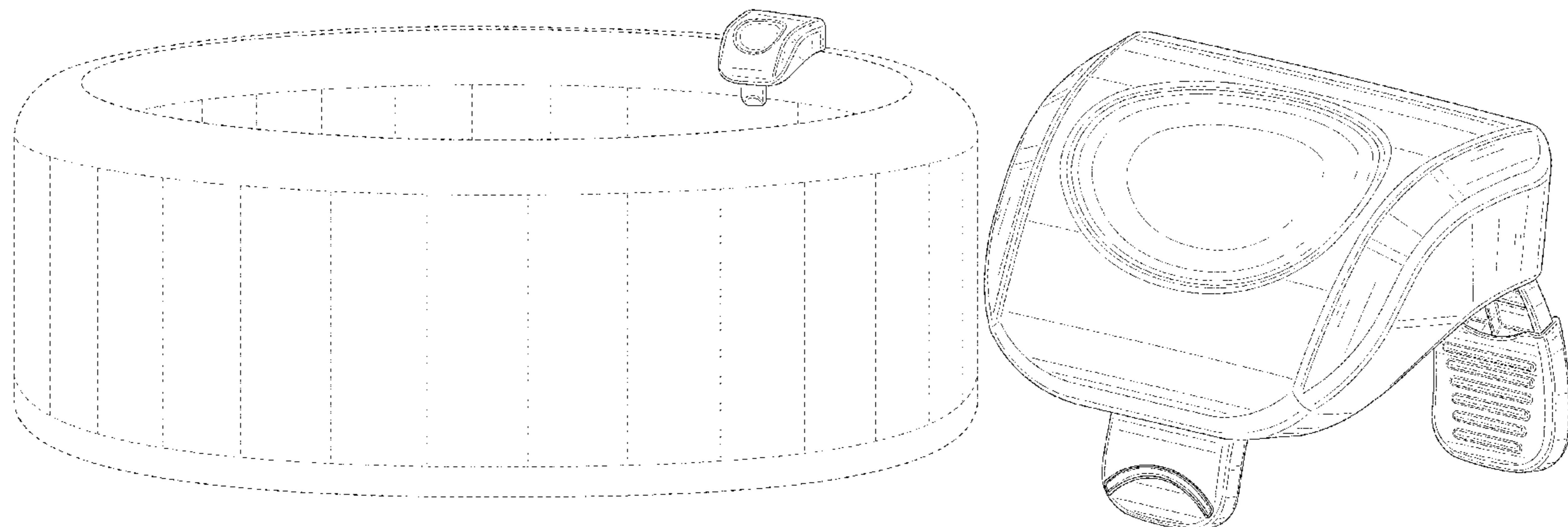
(57) **CLAIM**
We claim the ornamental design for a spa headrest, as shown and described.

DESCRIPTION

FIG. 1 is a perspective view of a spa headrest showing our new design coupled to a spa in a position of use; FIG. 2 is a perspective view of the spa headrest of FIG. 1; FIG. 3 is a front side elevational view thereof; FIG. 4 is a rear side elevational view thereof; FIG. 5 is a left side elevational view thereof; FIG. 6 is a right side elevational view thereof; FIG. 7 is a top plan view thereof; and, FIG. 8 is a bottom plan view thereof. The broken lines in FIG. 1 represent environmental structure that forms no part of the claimed design.

(56) **References Cited**
U.S. PATENT DOCUMENTS
4,385,408 A * 5/1983 Rhodes A47K 1/08
4/515
D289,481 S * 4/1987 Reddick 5/653
D364,303 S * 11/1995 Larsen D23/303

1 Claim, 8 Drawing Sheets



(56)

References Cited

U.S. PATENT DOCUMENTS

7,856,679 B1 * 12/2010 Finell A47K 3/125
297/423.11
8,668,270 B2 * 3/2014 Ciepiela A47C 7/38
297/397
D823,479 S * 7/2018 Mollohan D24/215
D829,470 S * 10/2018 Huang D6/601
2007/0240258 A1 * 10/2007 Roberts A47K 3/125
4/575.1
2010/0037395 A1 * 2/2010 Heeter A47D 13/08
5/655
2018/0042409 A1 * 2/2018 Johnson A47G 9/1054

OTHER PUBLICATIONS

Intex, "Spa Headrest," PureSpa Catalog, Copyright 2016, 3 pages.

* cited by examiner

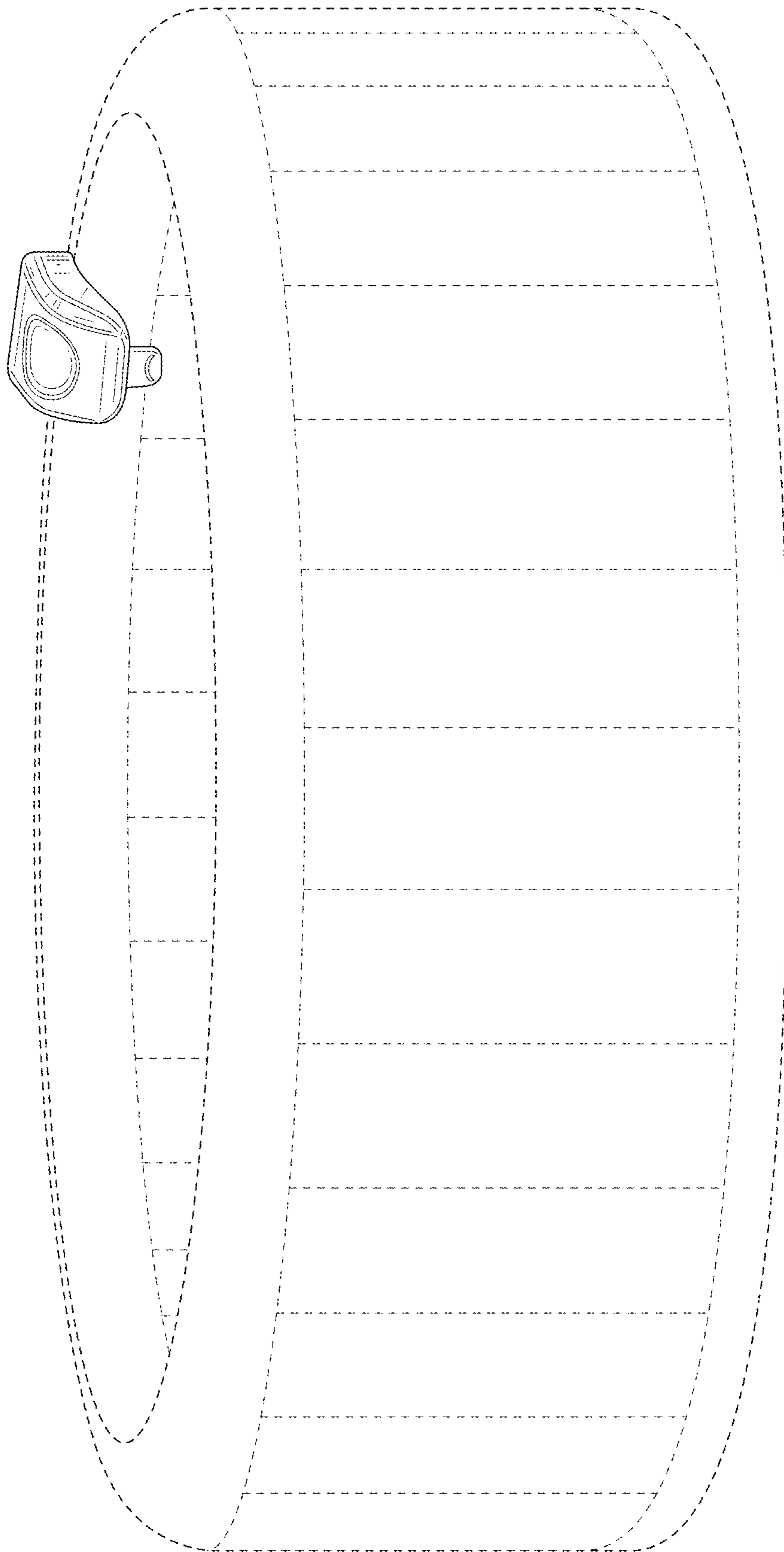


FIG. 1

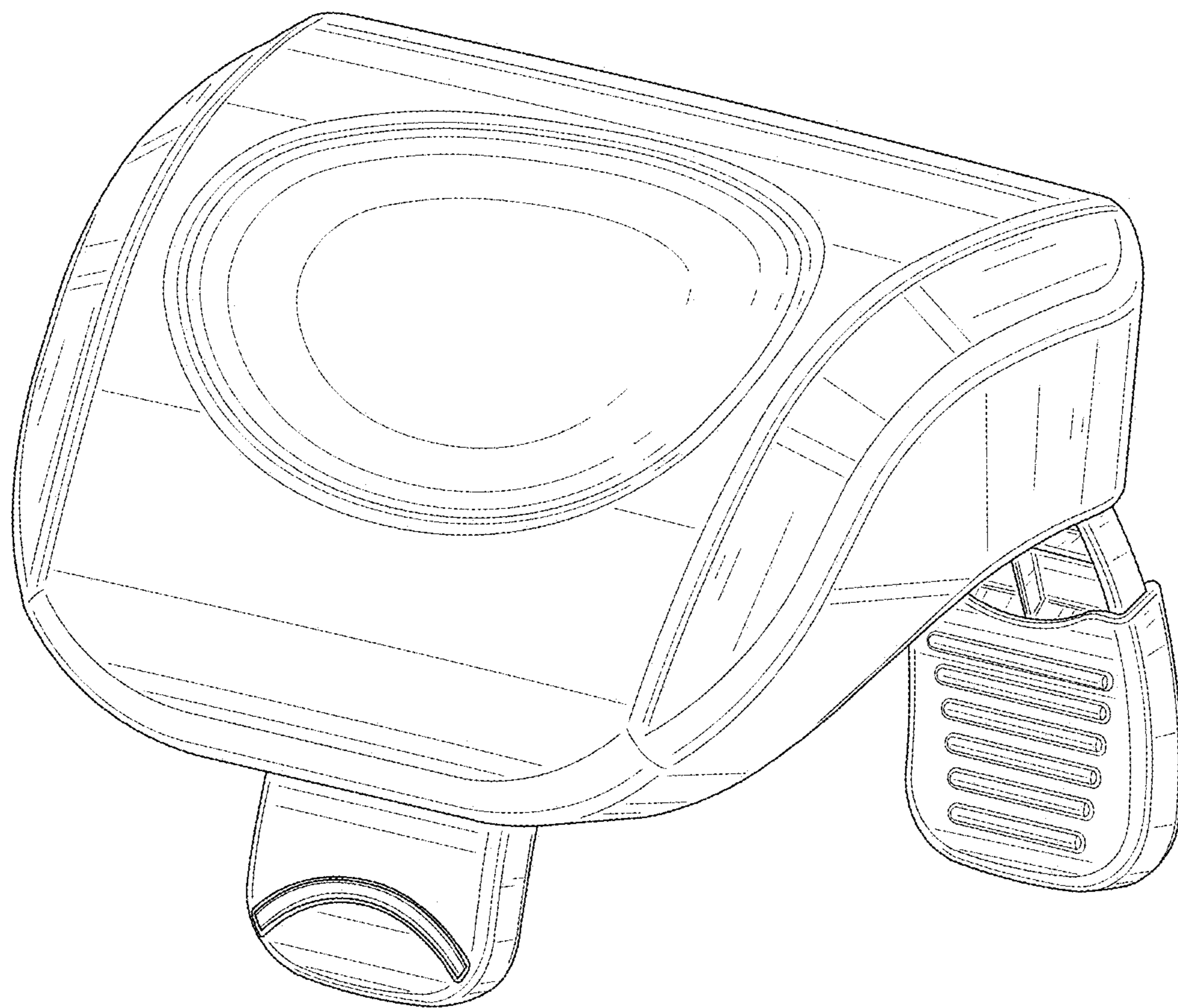


FIG. 2

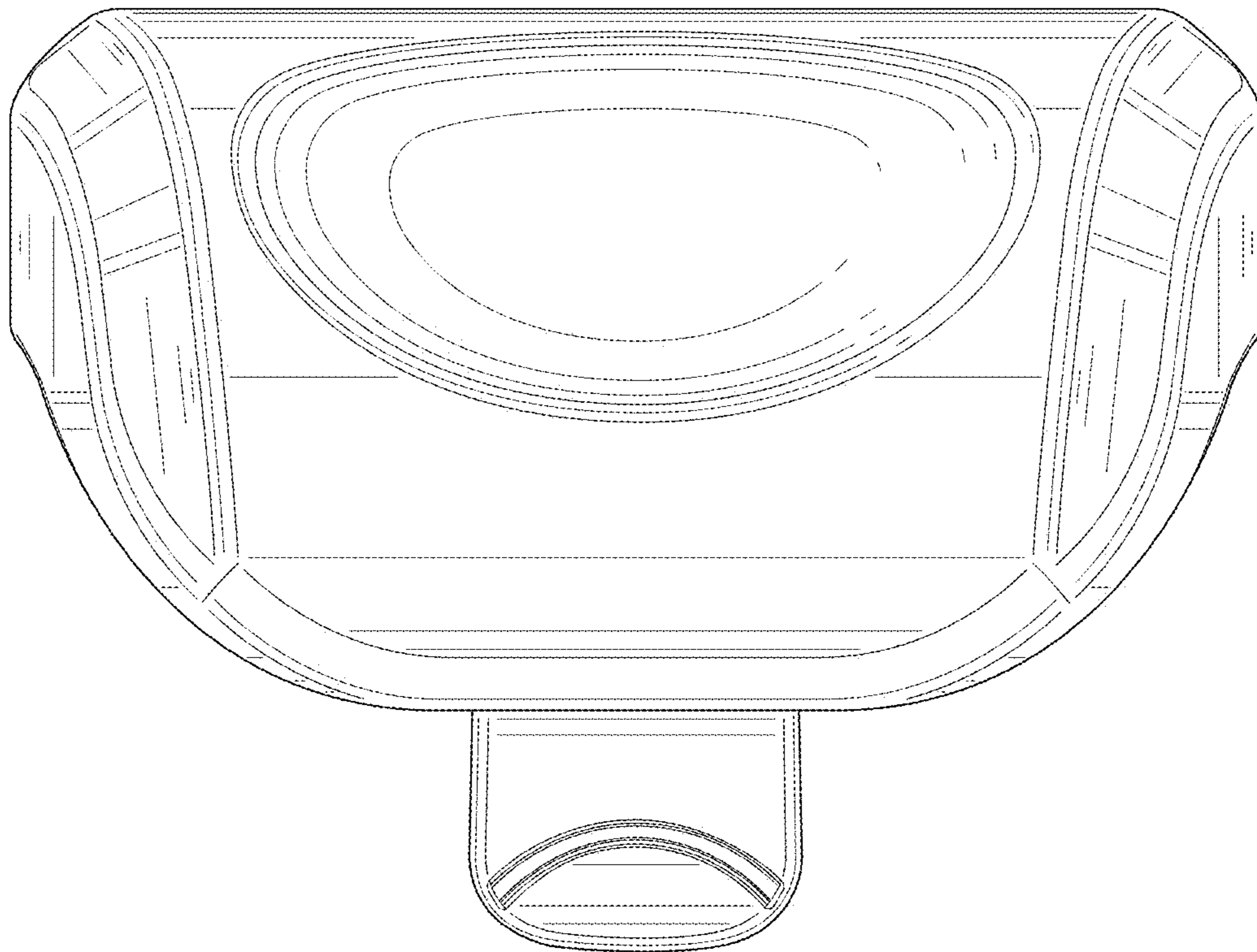


FIG. 3

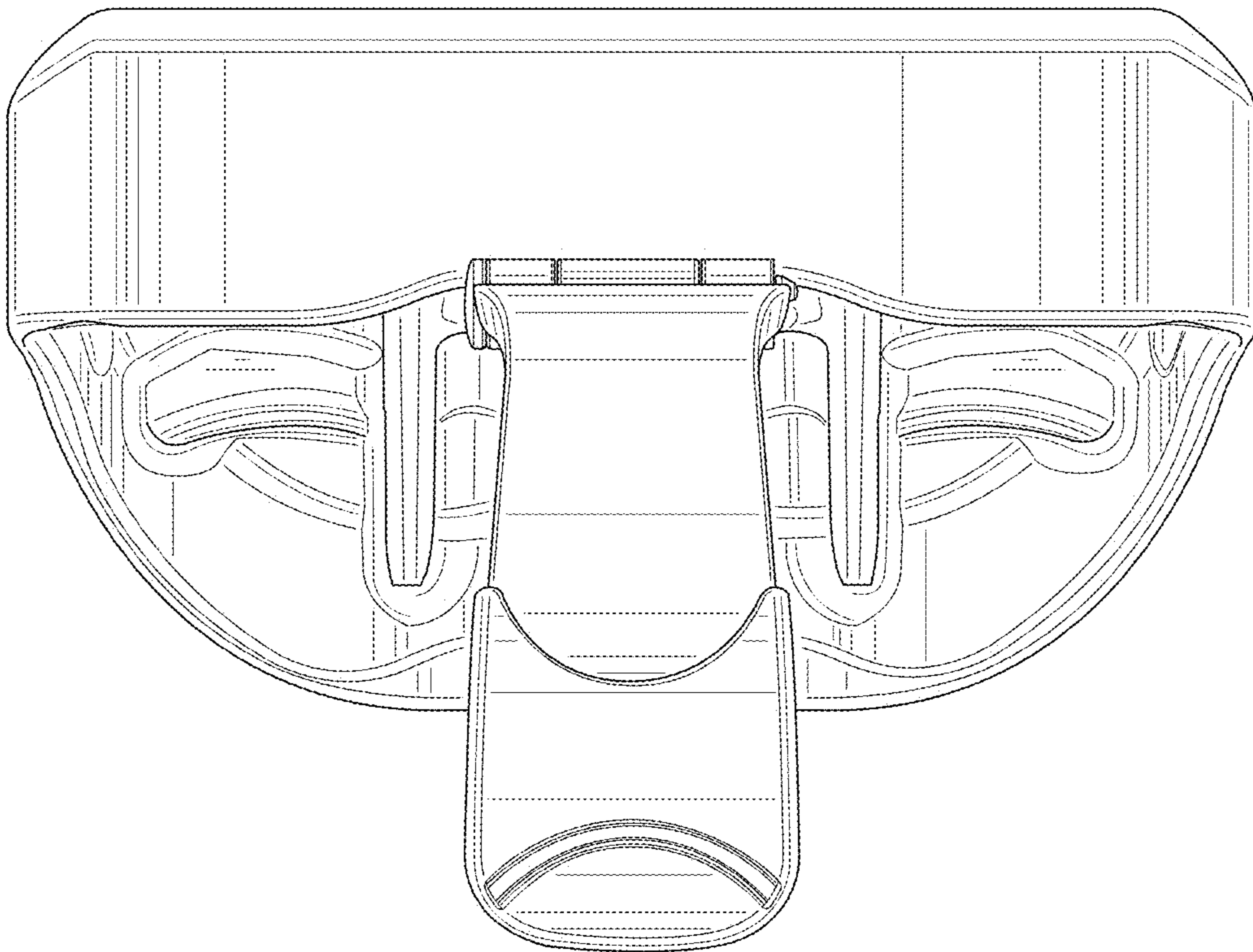


FIG. 4

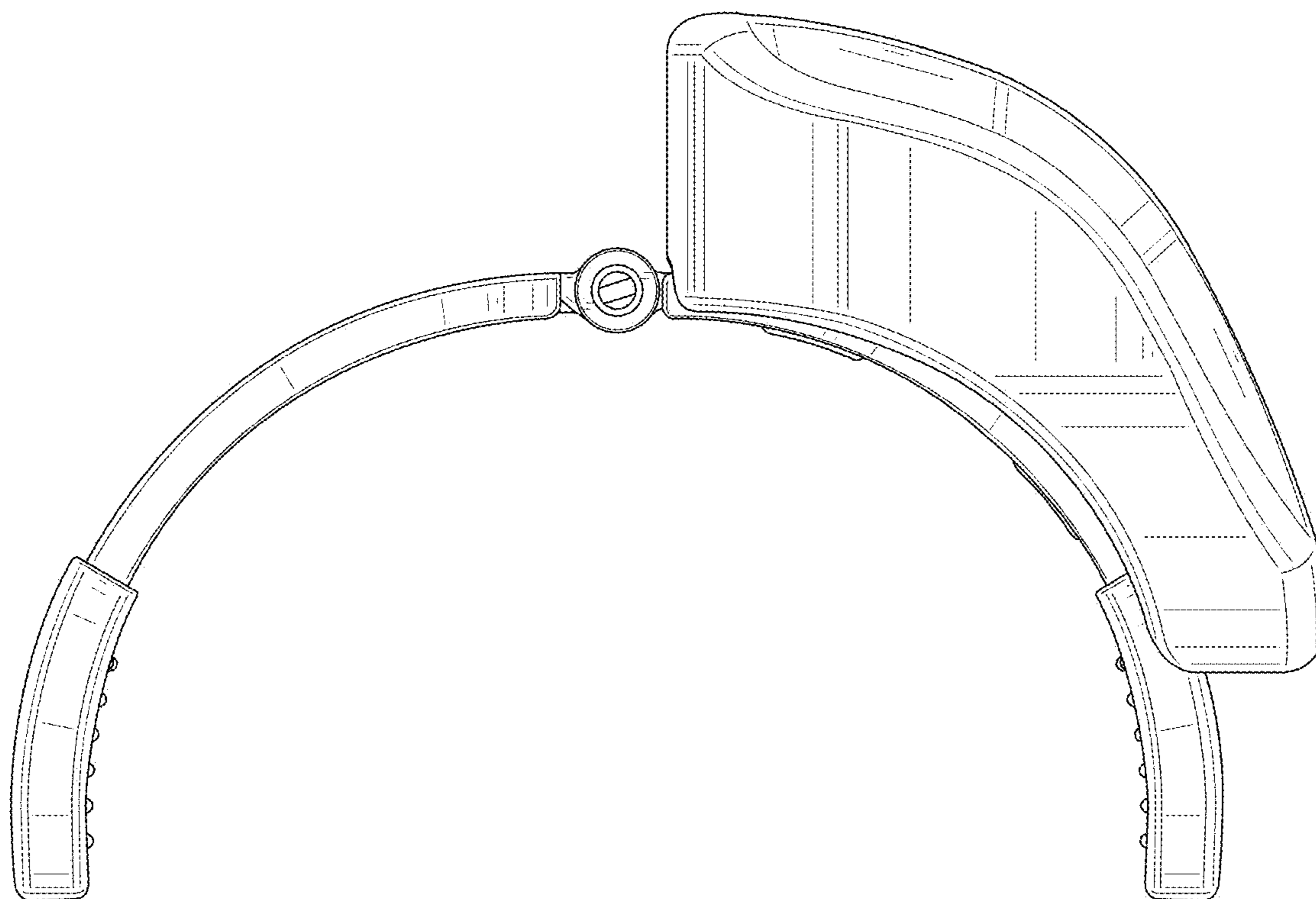


FIG. 5

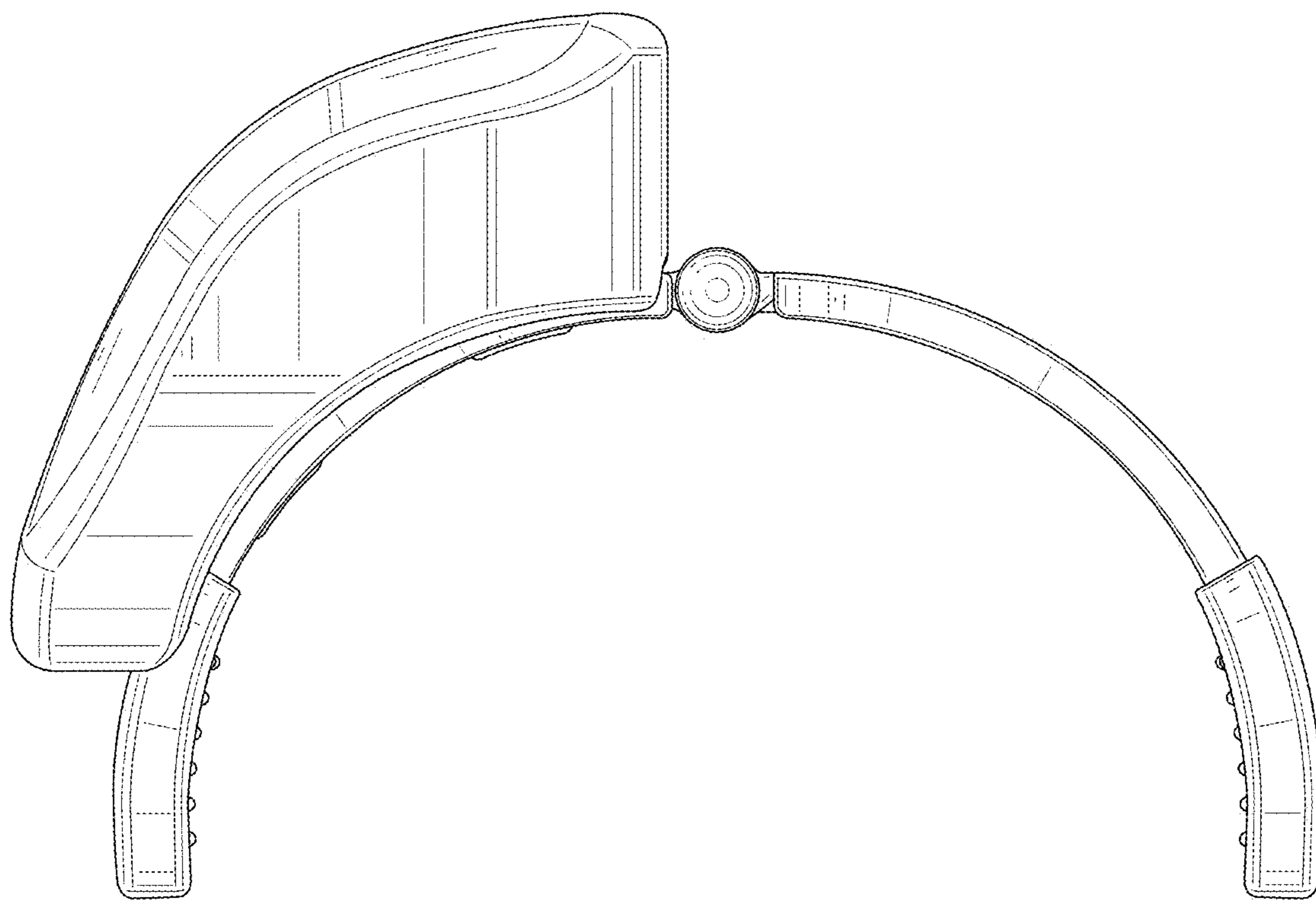


FIG. 6

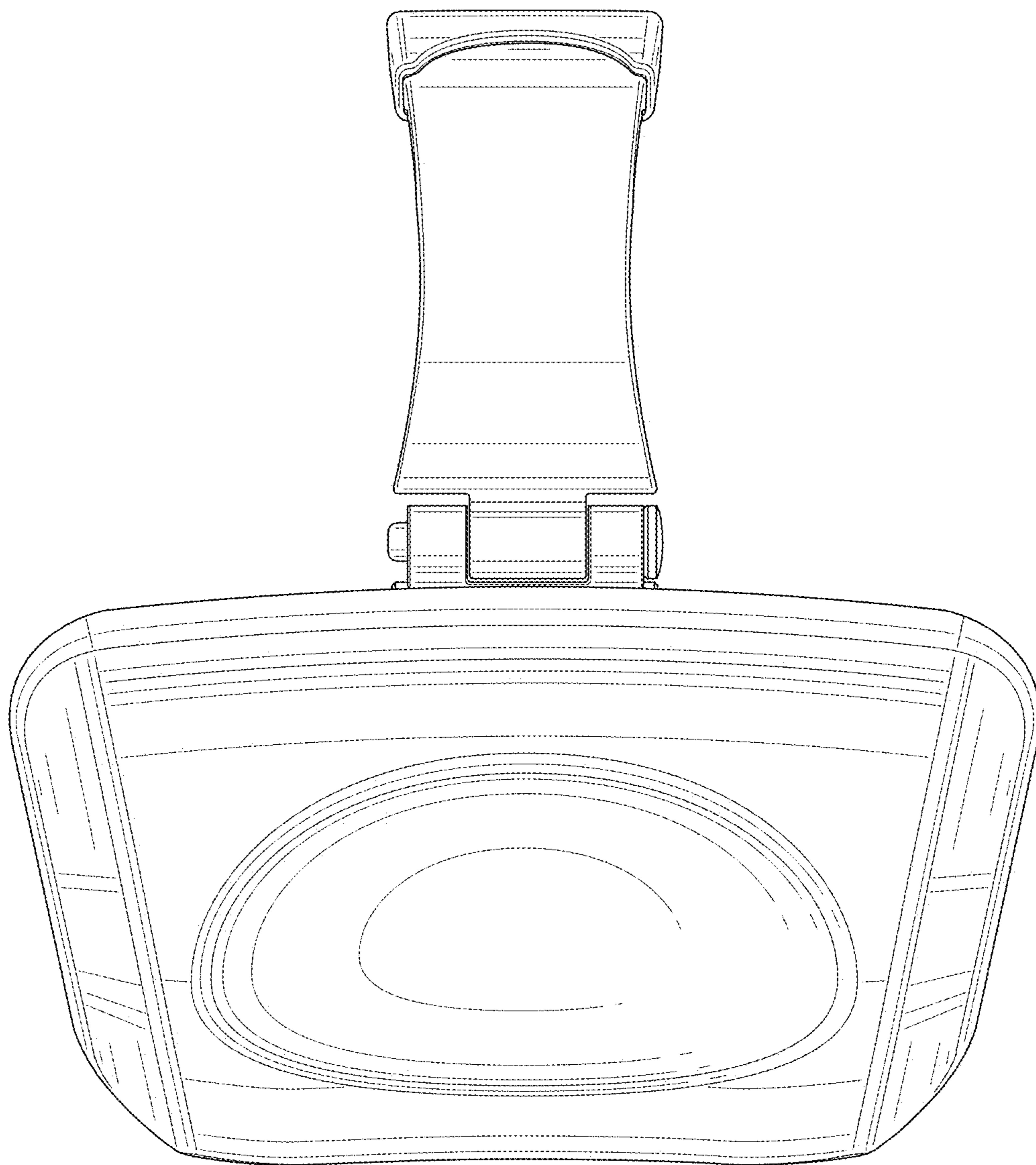


FIG. 7

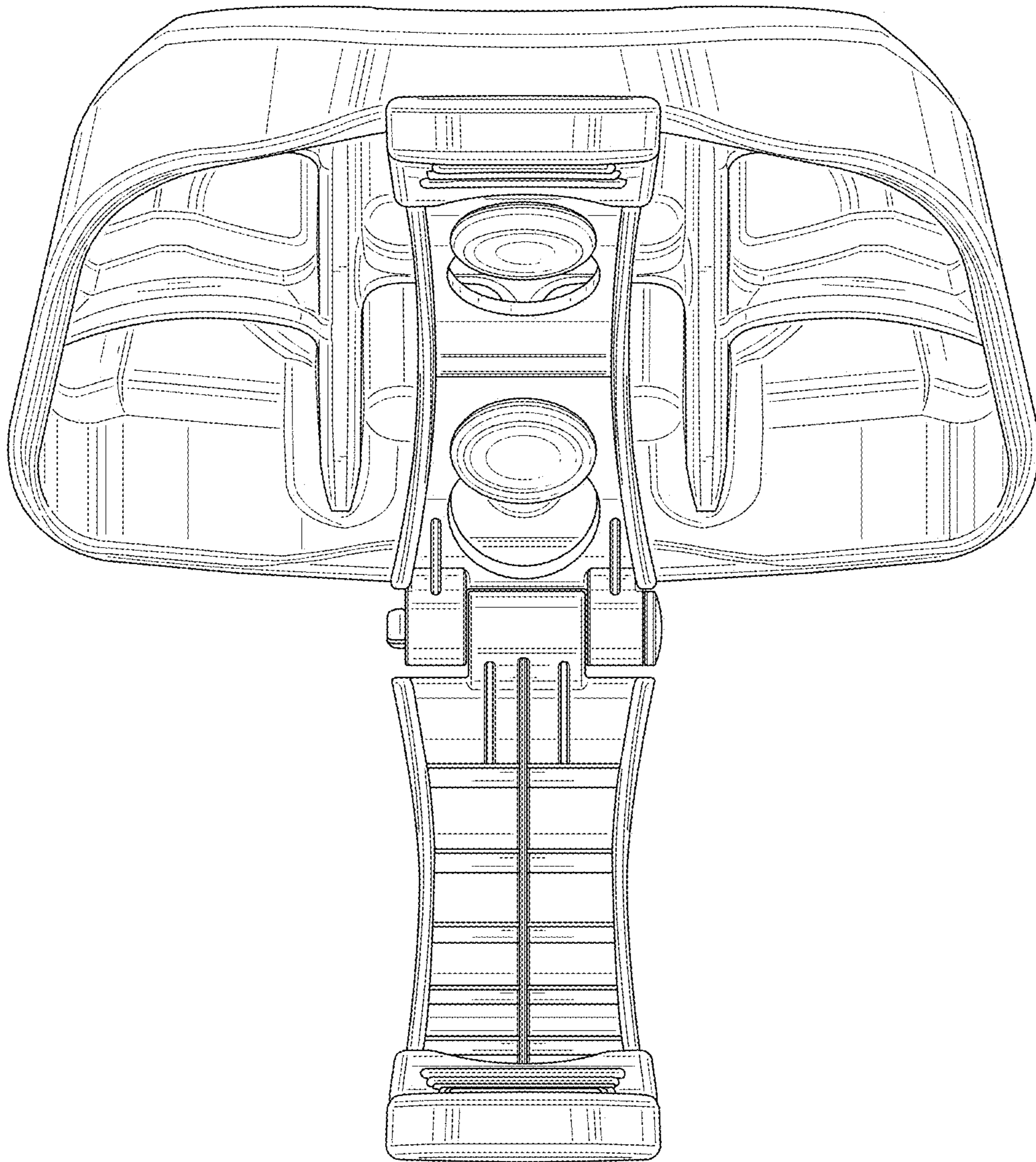


FIG. 8

UNITED STATES PATENT AND TRADEMARK OFFICE
CERTIFICATE OF CORRECTION

PATENT NO. : D881,604 S
APPLICATION NO. : 29/659381
DATED : April 21, 2020
INVENTOR(S) : Zhi Xiong Huang et al.

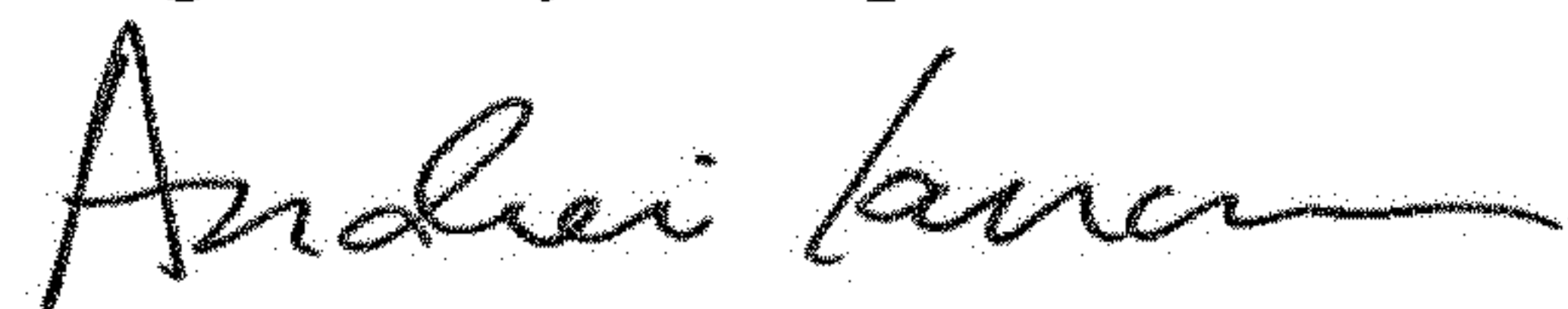
Page 1 of 1

It is certified that error appears in the above-identified patent and that said Letters Patent is hereby corrected as shown below:

On the Title Page

Column 1, under Foreign Application Priority Data (30), please amend the foreign priority reference number Line 1 to read "201820245818.3" and foreign priority reference number Line 2 to read "201830284752.4".

Signed and Sealed this
Eighth Day of September, 2020



Andrei Iancu
Director of the United States Patent and Trademark Office