



US00D881600S

(12) **United States Design Patent** (10) **Patent No.:** **US D881,600 S**
Jacobs (45) **Date of Patent:** **** Apr. 21, 2020**

(54) **FISHING ROD HOLDER APPARATUS**

(71) Applicant: **James Brent Jacobs**, Breaux Bridge, LA (US)

(72) Inventor: **James Brent Jacobs**, Breaux Bridge, LA (US)

(**) Term: **15 Years**

(21) Appl. No.: **29/674,896**

(22) Filed: **Dec. 27, 2018**

(51) **LOC (12) Cl.** **08-08**

(52) **U.S. Cl.**
USPC **D6/552**

(58) **Field of Classification Search**
USPC D6/552, 553, 567, 572; D8/380;
D22/109, 147, 148; D25/68; 43/21,
43/21.2; 211/13.1, 60.1, 64, 70.2, 70.6,
211/70.8, 65, 68, 69, 69.8, 89, 94;
248/512, 520, 538, 316.7
CPC A01K 97/10; A01K 97/12; A01K 97/125;
A01K 99/00; A01K 97/08; A47F 7/0021;
A47F 7/0035; A47B 81/005; Y10T
70/5009; Y10S 224/922
See application file for complete search history.

(56) **References Cited**

U.S. PATENT DOCUMENTS

- D267,227 S * 12/1982 Ziaylek, Jr. D8/373
- 4,848,714 A * 7/1989 Ziaylek, Jr. A62B 9/04
248/313
- D328,216 S * 7/1992 Steed D6/525
- D394,381 S * 5/1998 Ziaylek, Jr. D8/354
- D646,214 S * 10/2011 Mulanon D12/406
- D646,618 S * 10/2011 Mulanon D12/406
- D704,900 S * 5/2014 Childs D29/130

- D766,617 S * 9/2016 Hochman D6/553
- D803,036 S * 11/2017 Horgen D8/380
- D868,665 S * 12/2019 Rike D12/223
- 2017/0334288 A1 * 11/2017 Rike B60K 15/07
- 2019/0045922 A1 * 2/2019 Jacobs A01K 97/10
- 2019/0223424 A1 * 7/2019 Moses A47B 47/042

* cited by examiner

Primary Examiner — David G Muller

Assistant Examiner — Nathan M Johnston

(74) *Attorney, Agent, or Firm* — Ted M. Anthony

(57) **CLAIM**

The ornamental design for a fishing rod holder apparatus, as shown and described.

DESCRIPTION

FIG. 1 is a side perspective view of a fishing rod holder of the present invention.

FIG. 2 is a first end elevation view of a fishing rod holder depicted in FIG. 1.

FIG. 3 is a second end elevation view of a fishing rod holder depicted in FIGS. 1 through 2, rotated about a substantially vertical axis from the view depicted in FIG. 2.

FIG. 4 is a first side elevation view of a fishing rod holder depicted in FIGS. 1 through 3

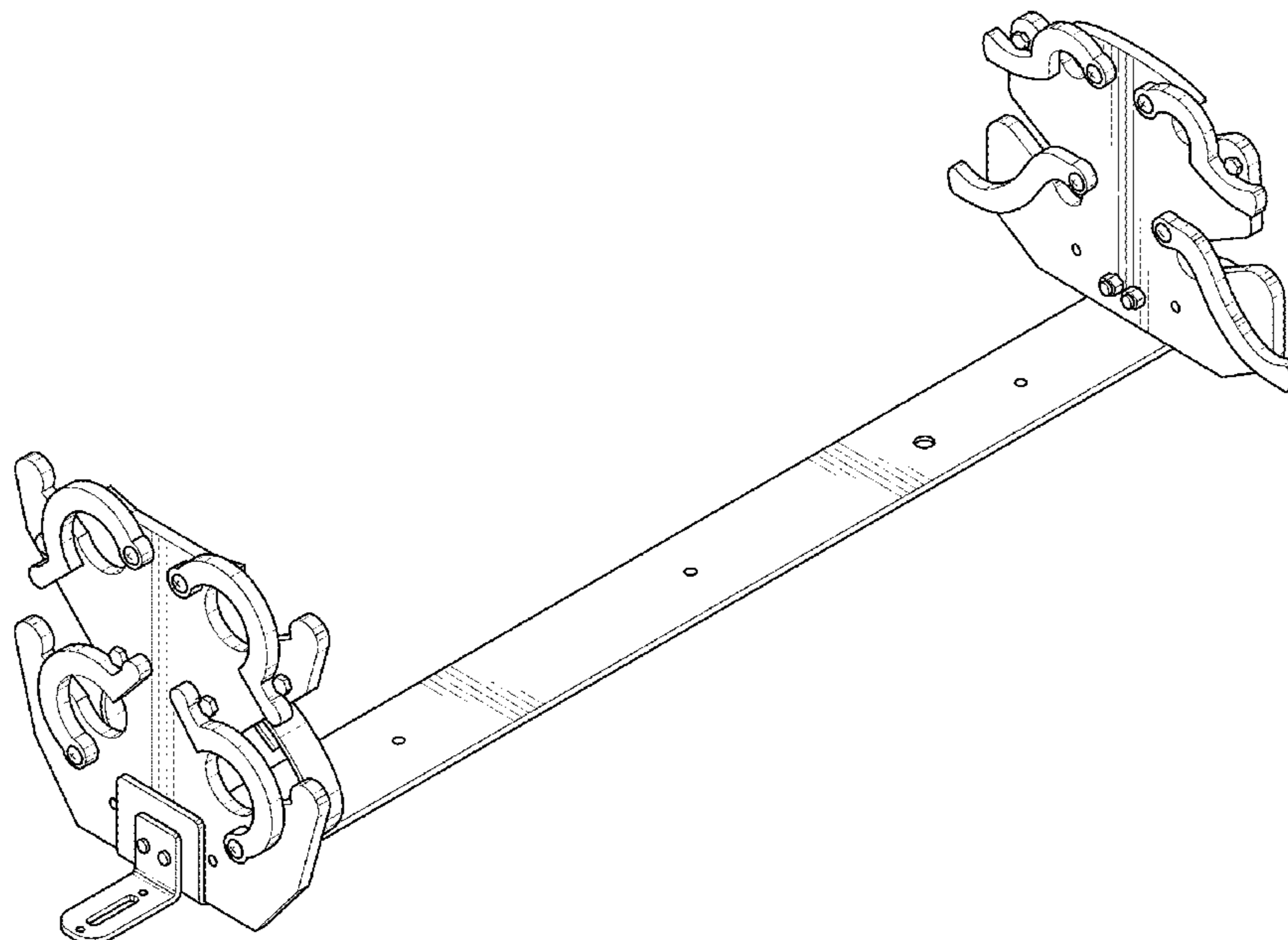
FIG. 5 is a reverse side elevation view of a fishing rod holder depicted in FIGS. 1 through 4.

FIG. 6 is a top view of a fishing rod holder depicted in FIGS. 1 through 5; and,

FIG. 7 is a bottom view of a fishing rod holder depicted in FIGS. 1 through 6.

The ornamental design for a fishing rod holder apparatus including as shown and described.

1 Claim, 4 Drawing Sheets



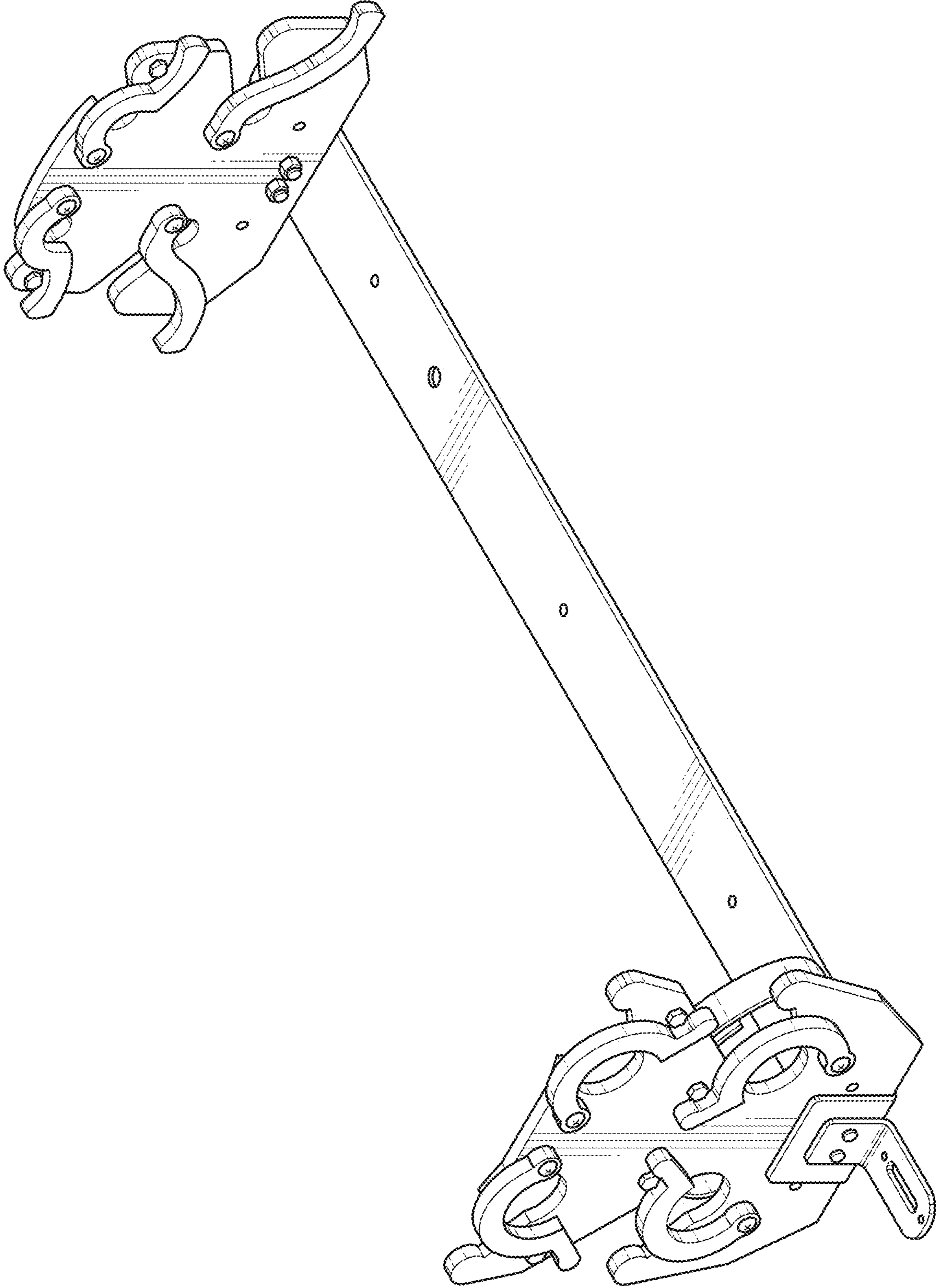


FIG. 1

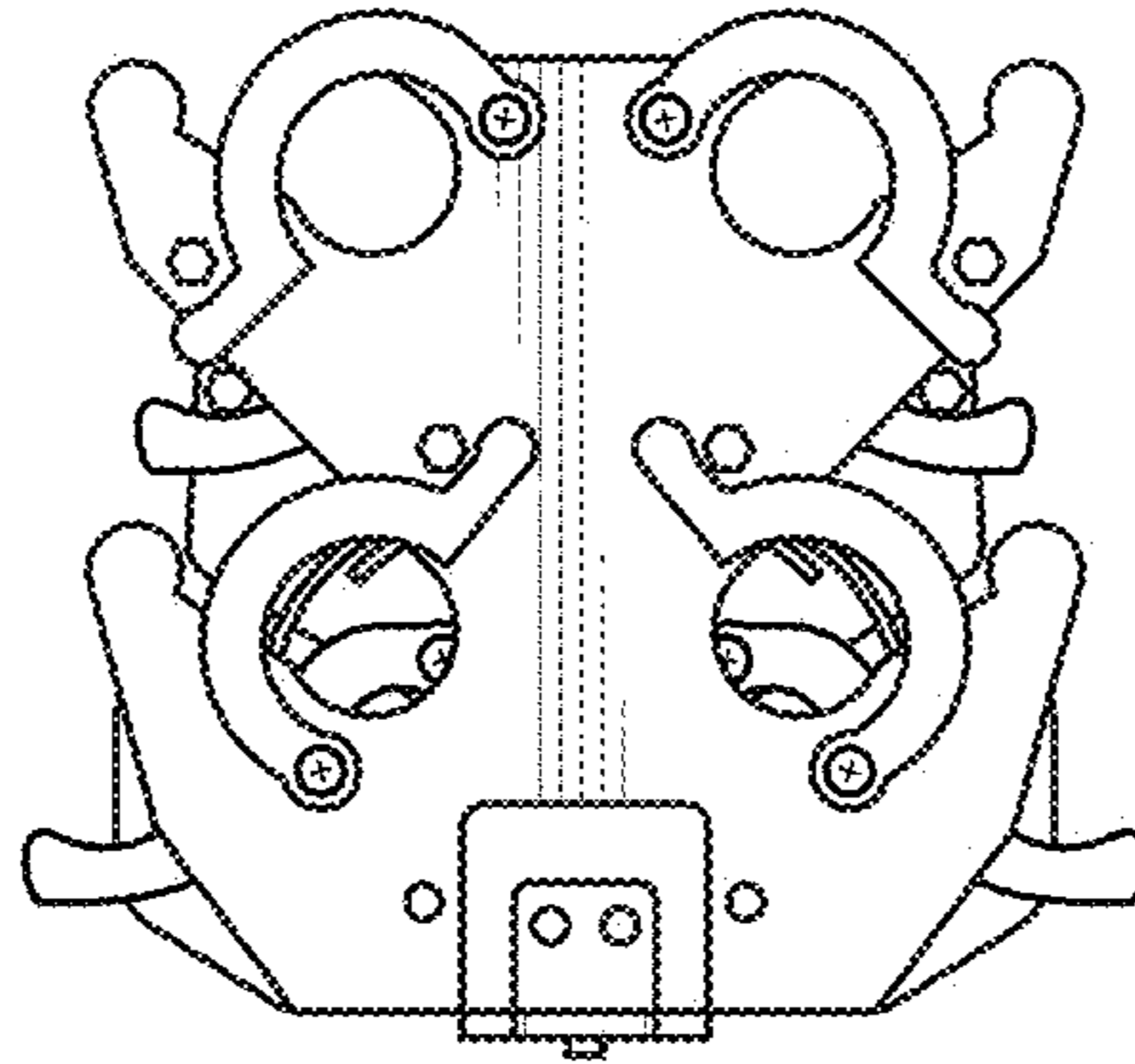


FIG. 2

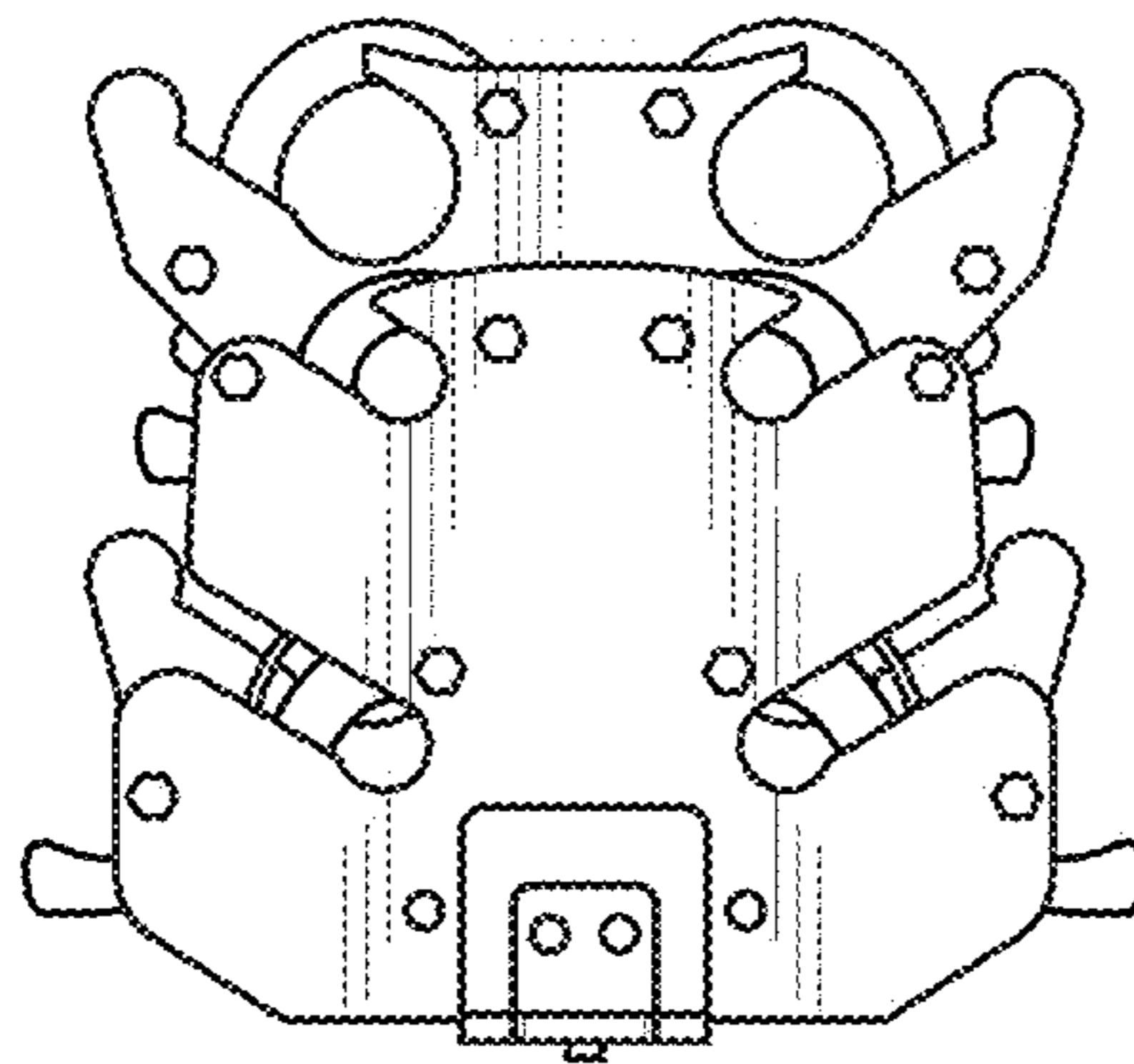


FIG. 3

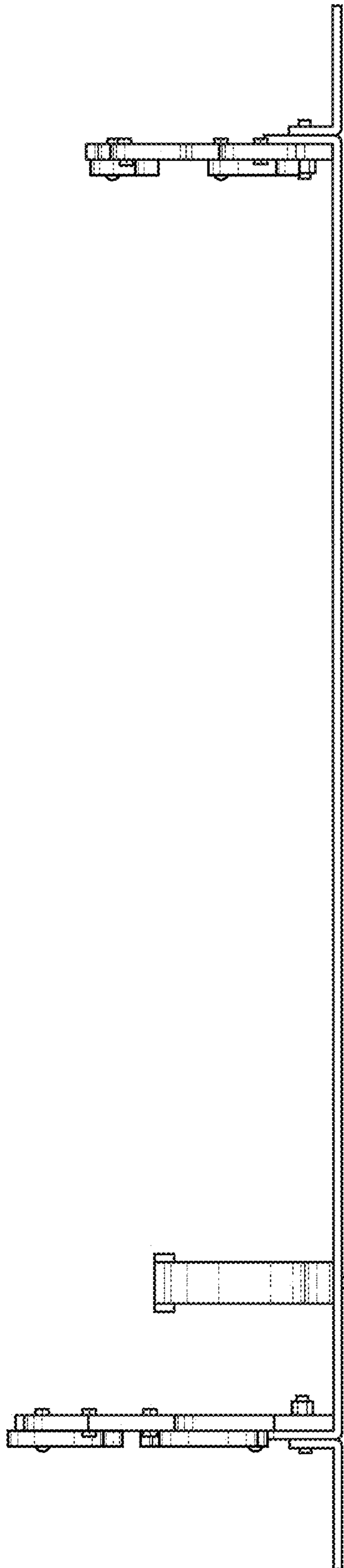


FIG. 4

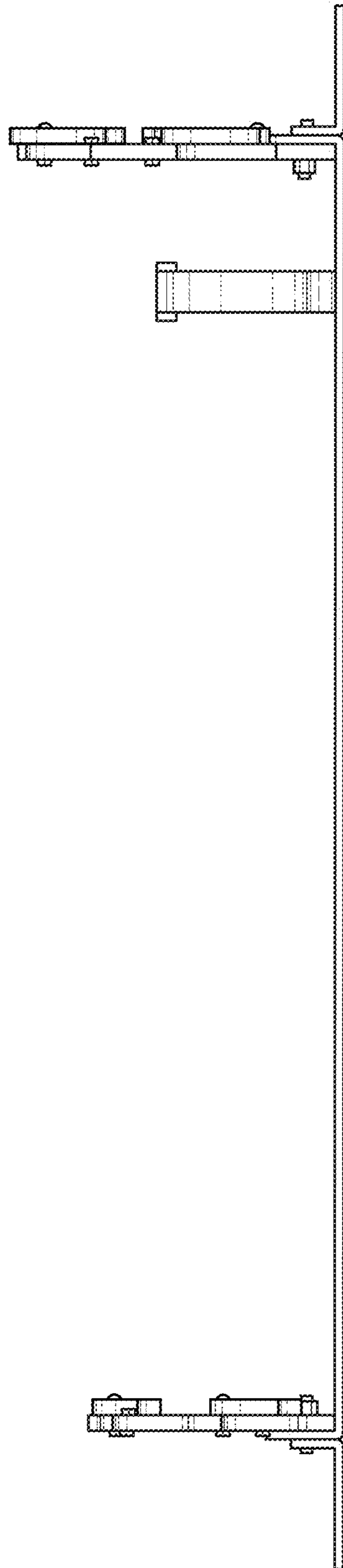


FIG. 5

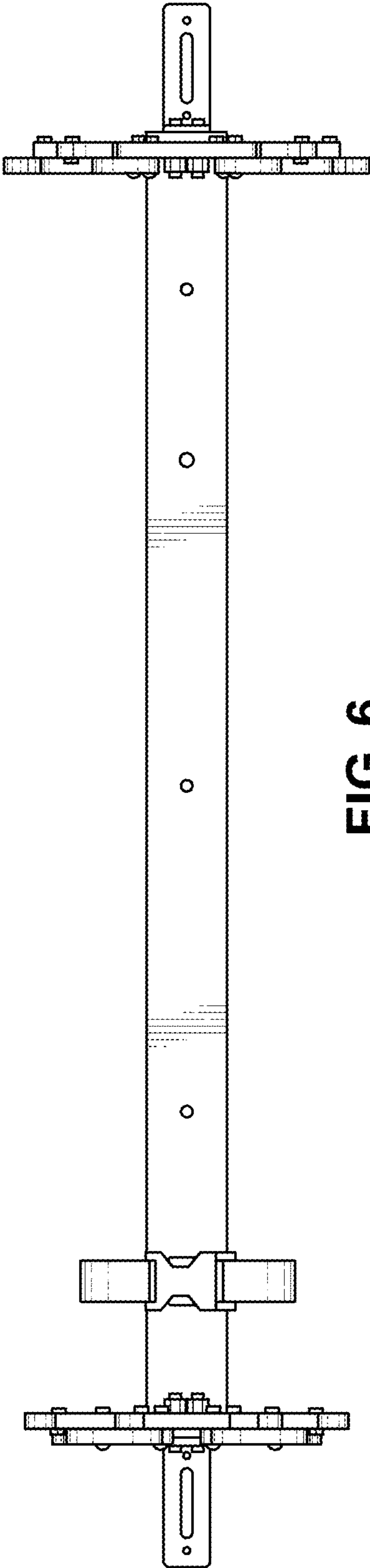


FIG. 6

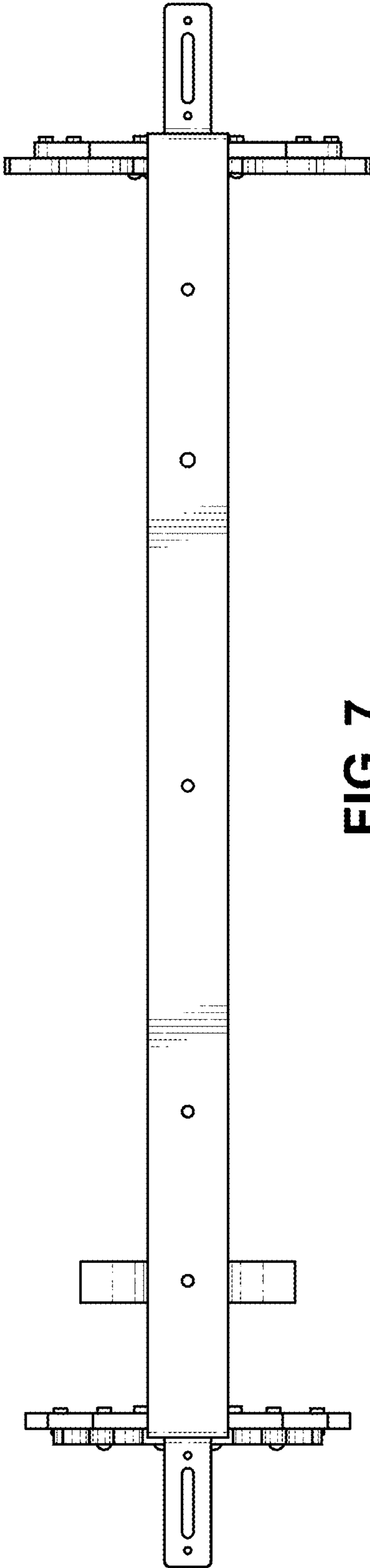


FIG. 7