



US00D881599S

(12) **United States Design Patent** (10) **Patent No.:** **US D881,599 S**  
**Jacobs** (45) **Date of Patent:** **\*\* Apr. 21, 2020**

(54) **FISHING ROD HOLDER**  
(71) Applicant: **James Brent Jacobs**, Breaux Bridge, LA (US)  
(72) Inventor: **James Brent Jacobs**, Breaux Bridge, LA (US)  
(\*\*) Term: **15 Years**  
(21) Appl. No.: **29/674,892**  
(22) Filed: **Dec. 27, 2018**  
(51) **LOC (12) Cl.** ..... **08-08**  
(52) **U.S. Cl.**  
USPC ..... **D6/552**  
(58) **Field of Classification Search**  
USPC ..... D6/552, 553, 567, 572; D8/380; D22/109, 147, 148; D25/68; 43/21, 43/21.2; 211/13.1, 60.1, 64, 70.2, 70.6, 211/70.8, 65, 68, 69, 69.8, 89, 94; 248/512, 520, 538, 316.7  
CPC ..... A01K 97/10; A01K 97/12; A01K 97/125; A01K 99/00; A01K 97/08; A47F 7/0021; A47F 7/0035; A47B 81/005; Y10T 70/5009; Y10S 224/922  
See application file for complete search history.

D646,618 S \* 10/2011 Mulanon ..... D12/406  
D704,900 S \* 5/2014 Childs ..... D29/130  
D766,617 S \* 9/2016 Hochman ..... D6/553  
D803,036 S \* 11/2017 Horgen ..... D8/380  
D868,665 S \* 12/2019 Rike ..... D12/223  
2017/0334288 A1\* 11/2017 Rike ..... B60K 15/07  
2019/0045922 A1\* 2/2019 Jacobs ..... A01K 97/10  
2019/0223424 A1\* 7/2019 Moses ..... A47B 47/042

\* cited by examiner

*Primary Examiner* — Nathan M Johnston  
(74) *Attorney, Agent, or Firm* — Ted M. Anthony

(57) **CLAIM**

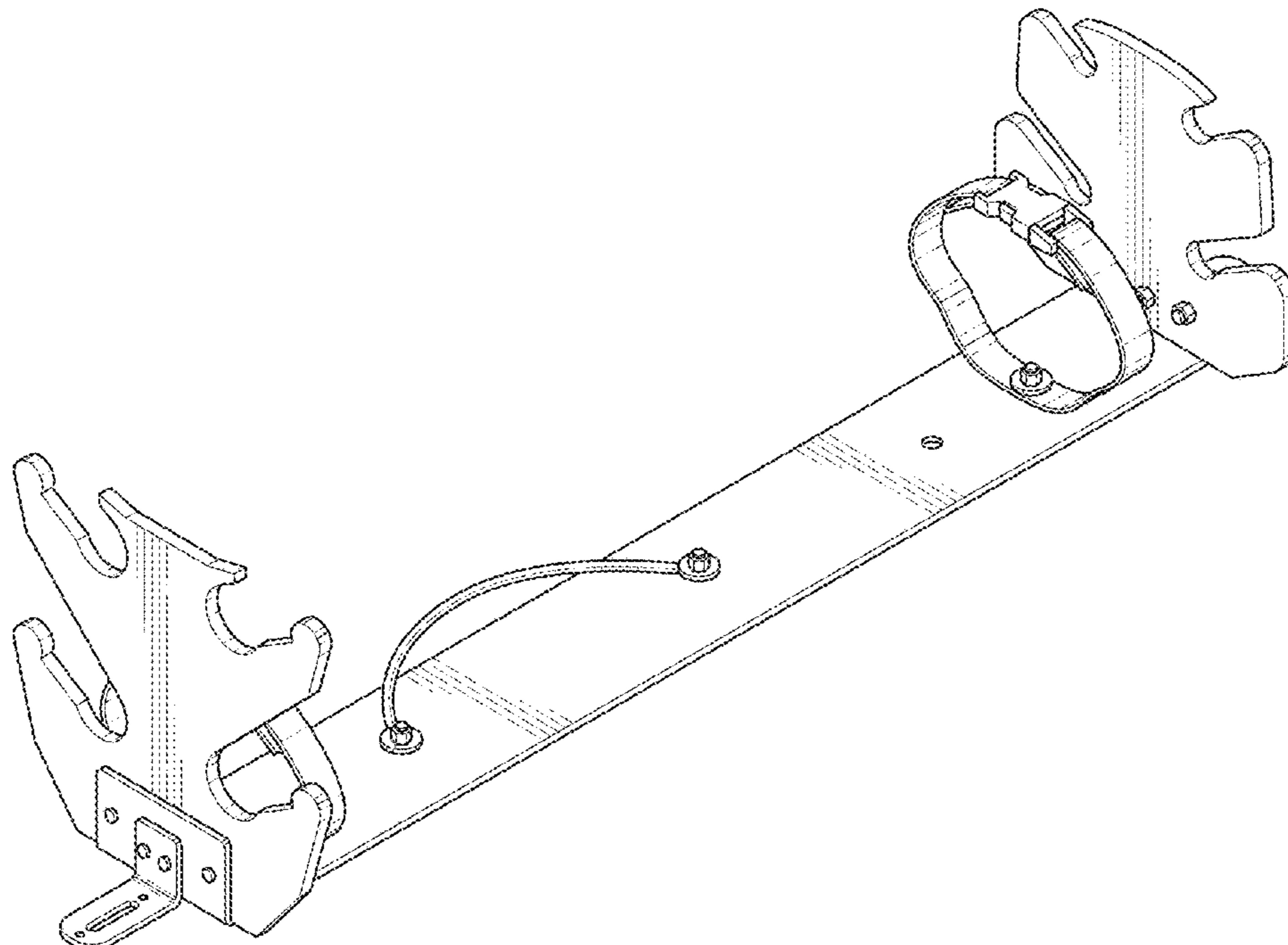
The ornamental design for a fishing rod holder, as shown and described.

**DESCRIPTION**

FIG. 1 is a side perspective view of a fishing rod holder of the present invention.  
FIG. 2 is a first end elevation view of a fishing rod holder depicted in FIG. 1.  
FIG. 3 is a second end elevation view of a fishing rod holder depicted in FIGS. 1 through 2, rotated about a substantially vertical axis from the view depicted in FIG. 2.  
FIG. 4 is a first side elevation view of a fishing rod holder depicted in FIGS. 1 through 3  
FIG. 5 is a reverse side elevation view of a fishing rod holder depicted in FIGS. 1 through 4.  
FIG. 6 is a top view of a fishing rod holder depicted in FIGS. 1 through 5; and,  
FIG. 7 is a bottom view of a fishing rod holder depicted in FIGS. 1 through 6.

**1 Claim, 4 Drawing Sheets**

(56) **References Cited**  
U.S. PATENT DOCUMENTS  
D267,227 S \* 12/1982 Ziaylek, Jr. .... D8/373  
4,848,714 A \* 7/1989 Ziaylek, Jr. .... A62B 9/04  
248/313  
D328,216 S \* 7/1992 Steed ..... D6/525  
D394,381 S \* 5/1998 Ziaylek, Jr. .... D8/354  
D646,214 S \* 10/2011 Mulanon ..... D12/406



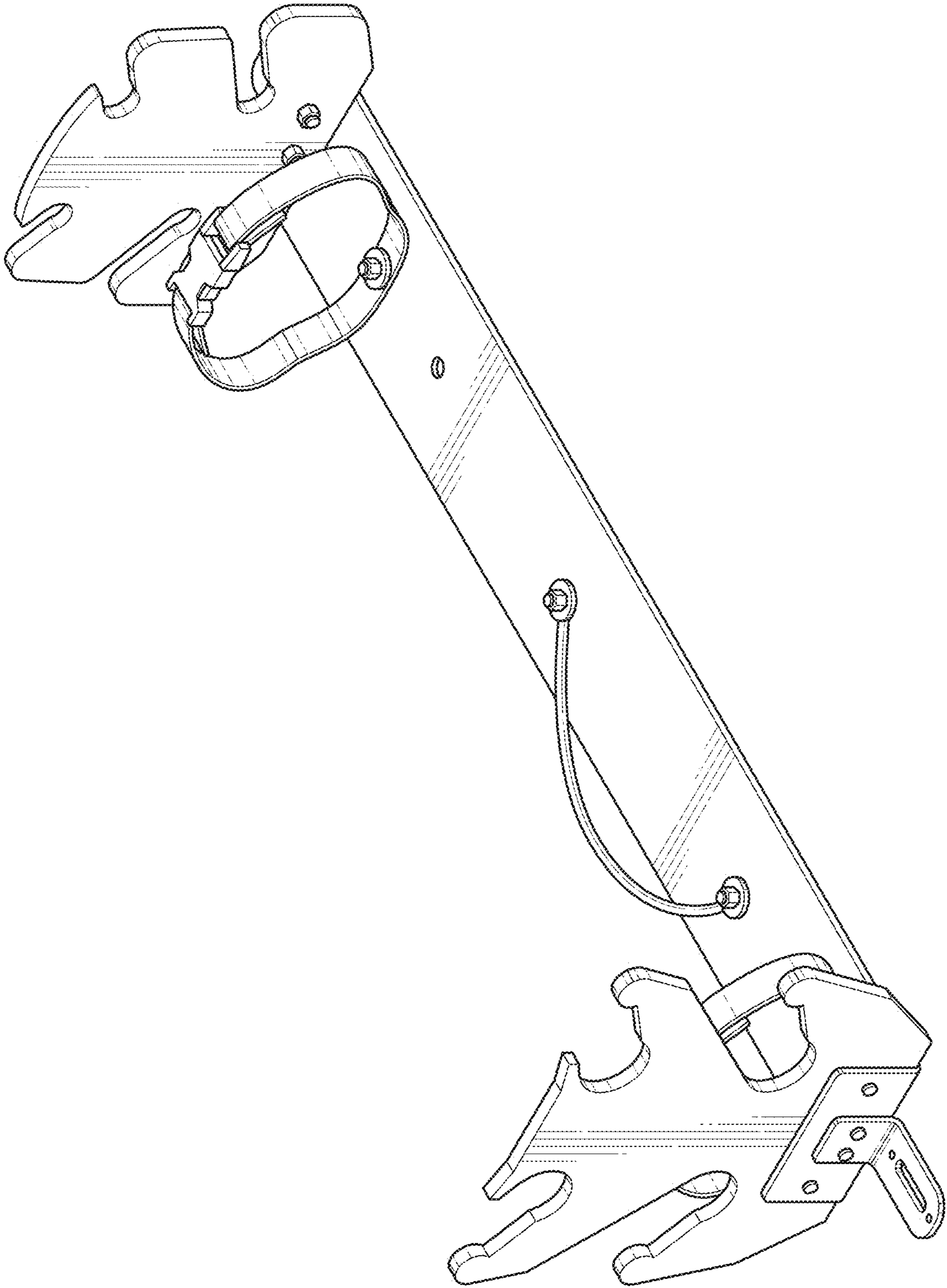
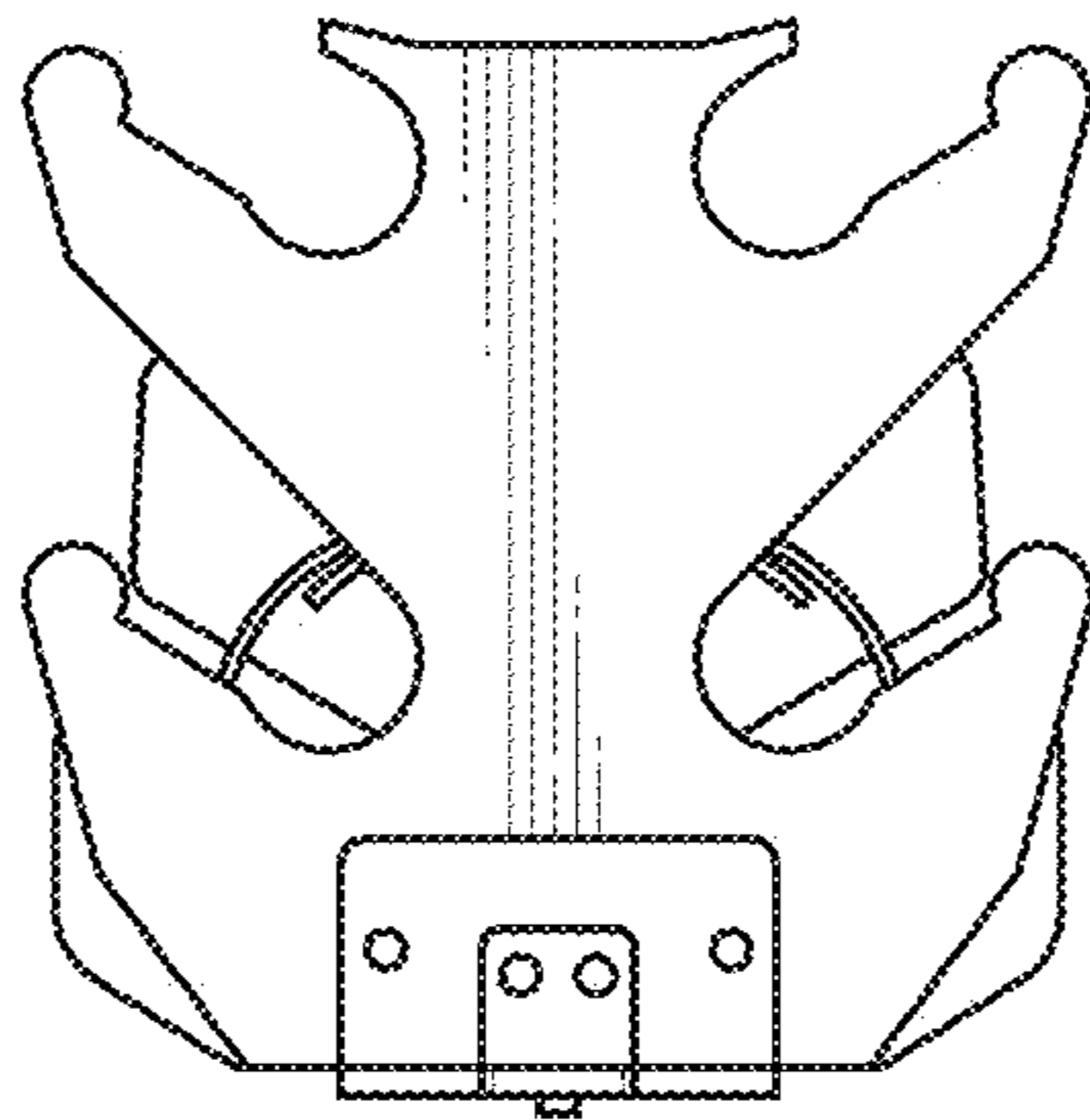
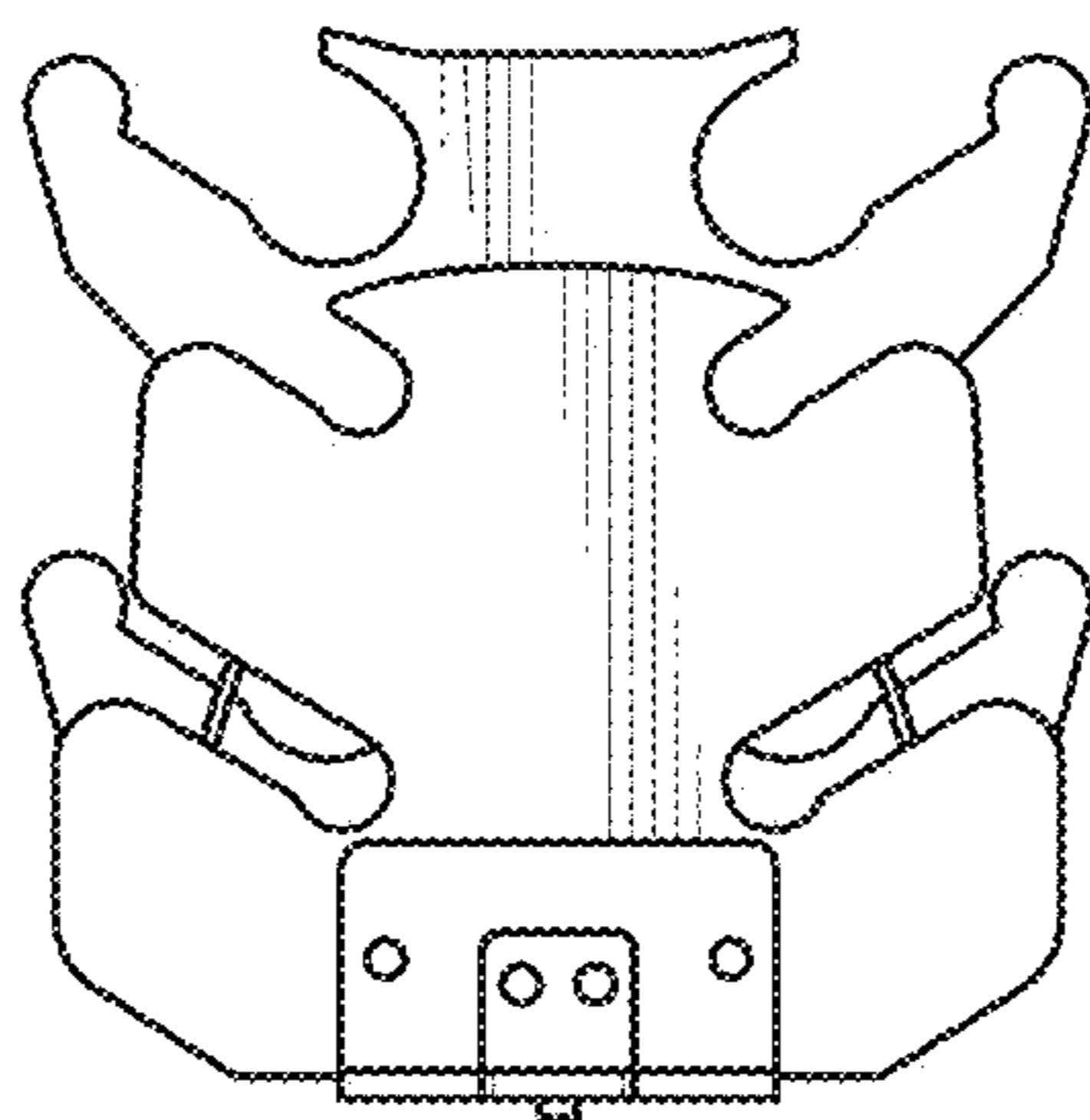


FIG. 1



**FIG. 2**



**FIG. 3**

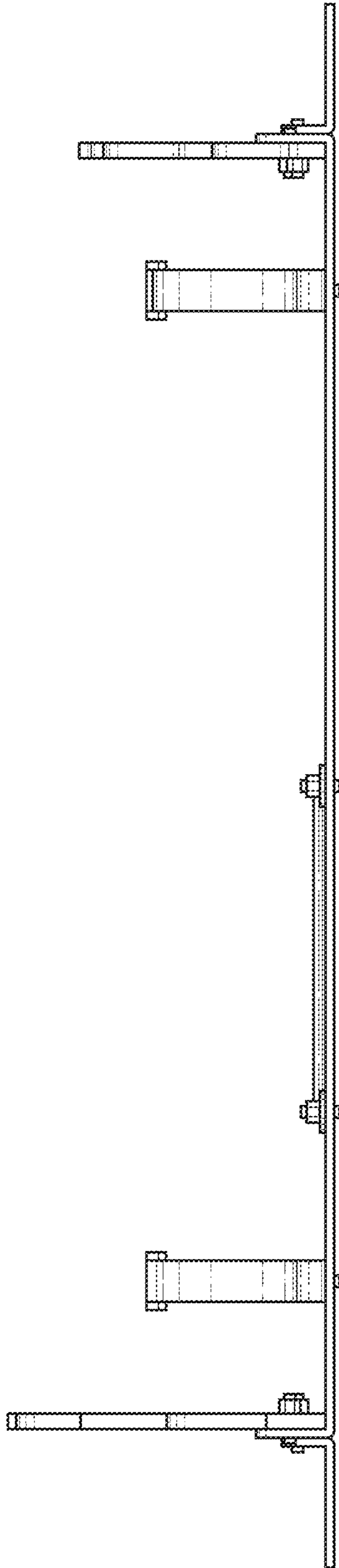


FIG. 4

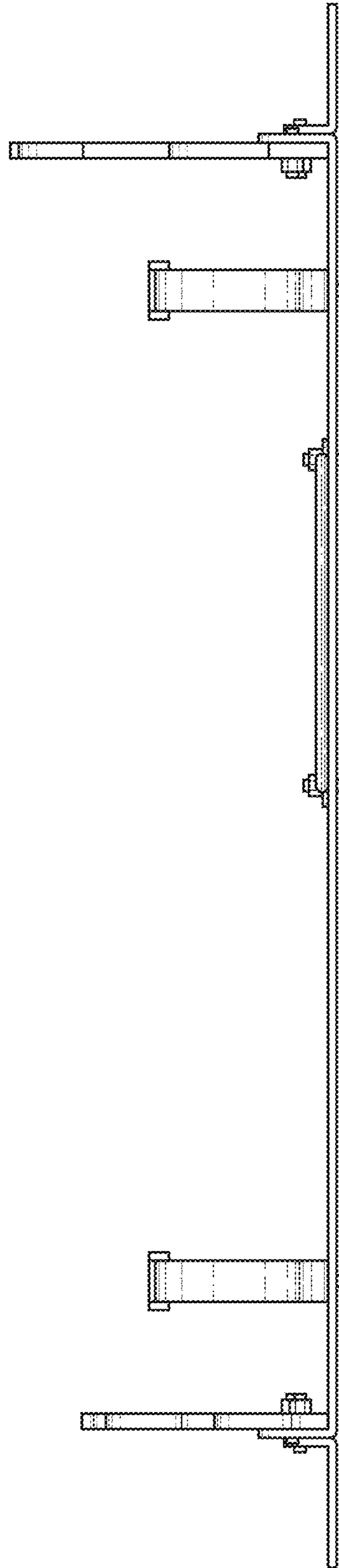


FIG. 5

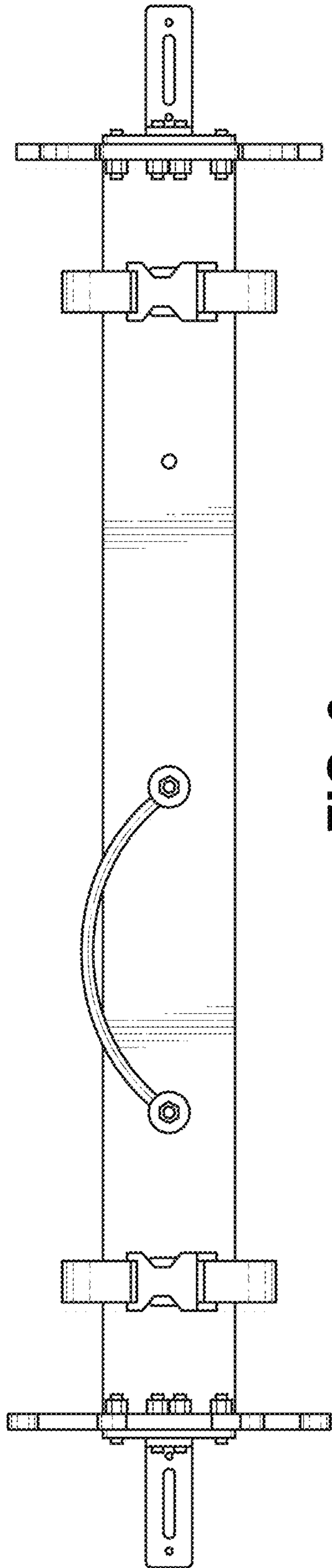


FIG. 6

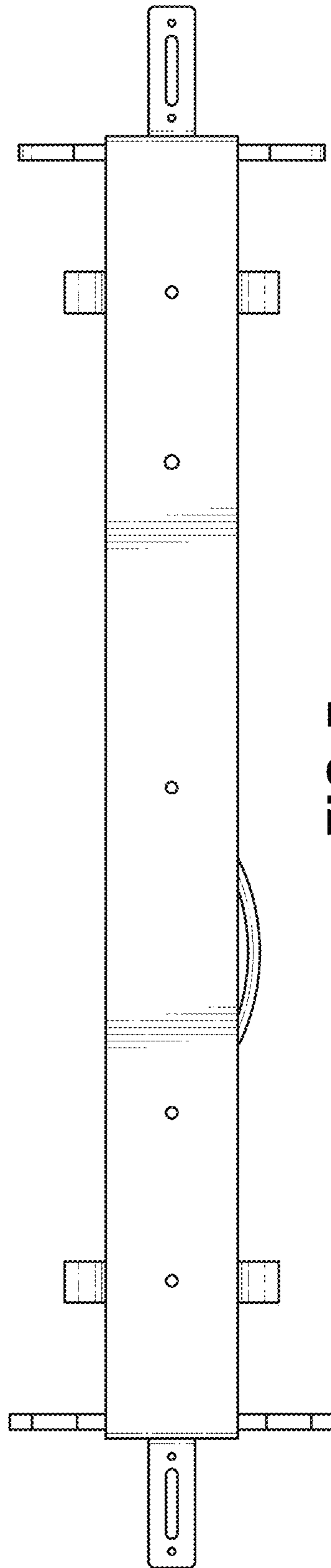


FIG. 7