



US00D881598S

(12) **United States Design Patent**
Jeanmonod et al.

(10) **Patent No.:** **US D881,598 S**
(45) **Date of Patent:** **** Apr. 21, 2020**

- (54) **ARMCHAIR**
- (71) Applicant: **LAFUMA MOBILIER SAS**, Anneyron (FR)
- (72) Inventors: **Grégoire Jeanmonod**, Lausanne (CH); **Augustin Scott de Martinville**, Lausanne (CH); **Elric Petit**, Lausanne (CH)
- (73) Assignee: **LAFUMA MOBILIER SAS**, Anneyron (FR)
- (**) Term: **15 Years**
- (21) Appl. No.: **29/662,584**
- (22) Filed: **Sep. 6, 2018**

4,750,784 A *	6/1988	Schwartz	A47C 7/42 297/440.21
D333,739 S *	3/1993	Yeh	D6/379
D371,012 S *	6/1996	Klein	D6/373
D493,973 S *	8/2004	Olson	D6/373
D503,056 S *	3/2005	Olson	D6/373
D740,045 S *	10/2015	Wilkinson	D6/376
D787,217 S *	5/2017	Lin	D6/376
D834,845 S *	12/2018	Starck	D6/369
D848,174 S *	5/2019	Prock	D6/380

FOREIGN PATENT DOCUMENTS

EP 1880639 A1 * 1/2008 A47C 3/18

* cited by examiner

Primary Examiner — R. Johnson

(74) *Attorney, Agent, or Firm* — Cantor Colburn LLP

(30) **Foreign Application Priority Data**

Mar. 6, 2018 (EM) 004 742 088

(51) **LOC (12) Cl.** **06-01**

(52) **U.S. Cl.**
USPC **D6/375**

(58) **Field of Classification Search**
USPC D6/334, 335, 349, 370–376, 379, 380
CPC A47C 1/00; A47C 3/00; A47C 3/04; A47C 3/12; A47C 5/04; A47C 5/14; A47C 7/02; A47C 7/16; A47C 7/18; A47C 7/24; A47C 7/36; A47C 7/40
See application file for complete search history.

(56) **References Cited**

U.S. PATENT DOCUMENTS

D249,415 S *	9/1978	Ambasz	D6/374
D259,078 S *	5/1981	Deconinck	D6/370

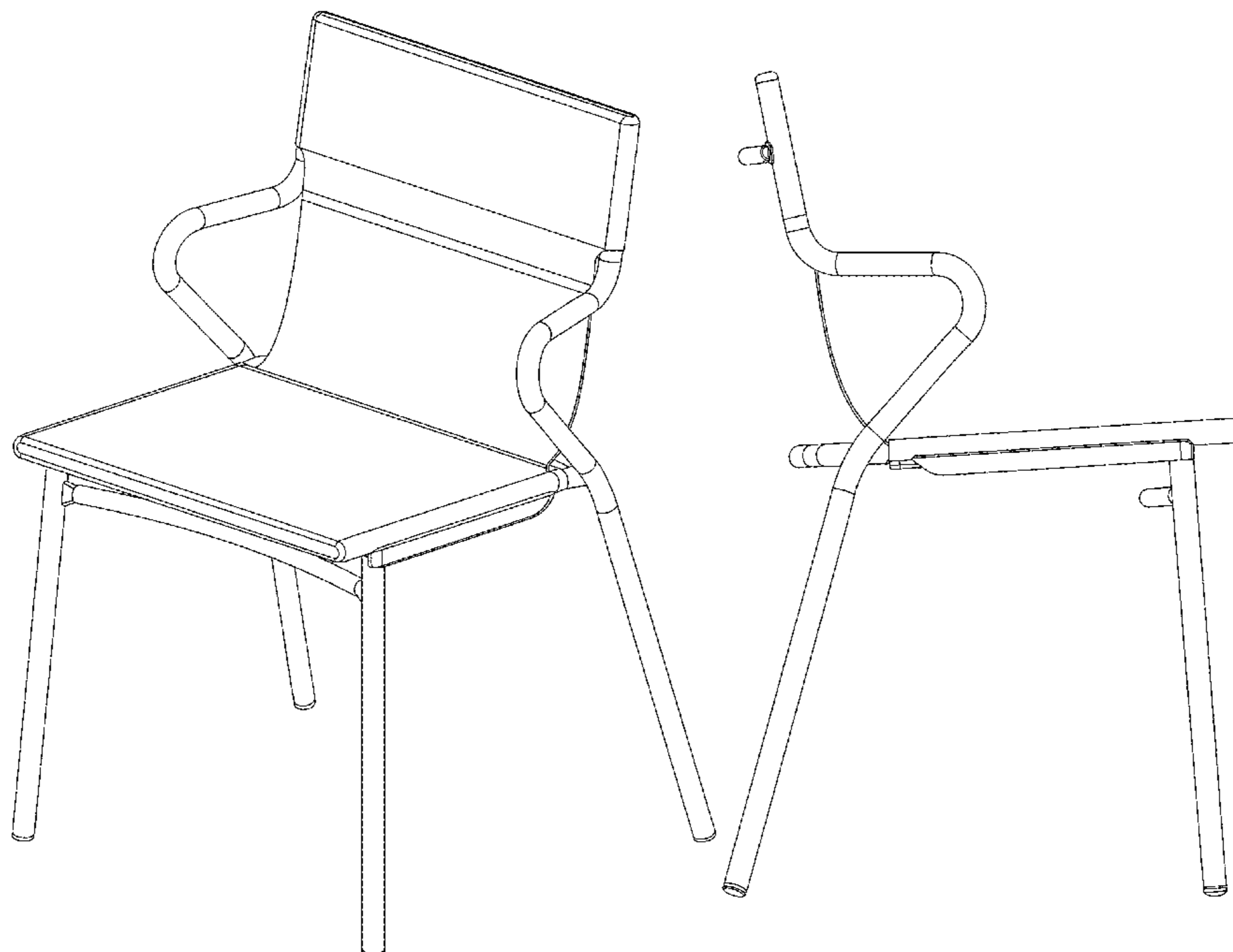
(57) **CLAIM**

We claim, the ornamental design for an armchair, as shown and described.

DESCRIPTION

FIG. 1 is a perspective view of an armchair, showing my new design;
FIG. 2 is a front elevation view thereof;
FIG. 3 is a left elevation view thereof;
FIG. 4 is a right side elevation view thereof;
FIG. 5 is a rear side elevation view thereof;
FIG. 6 is a bottom plan view thereof; and,
FIG. 7 is a top plan view thereof.

1 Claim, 7 Drawing Sheets



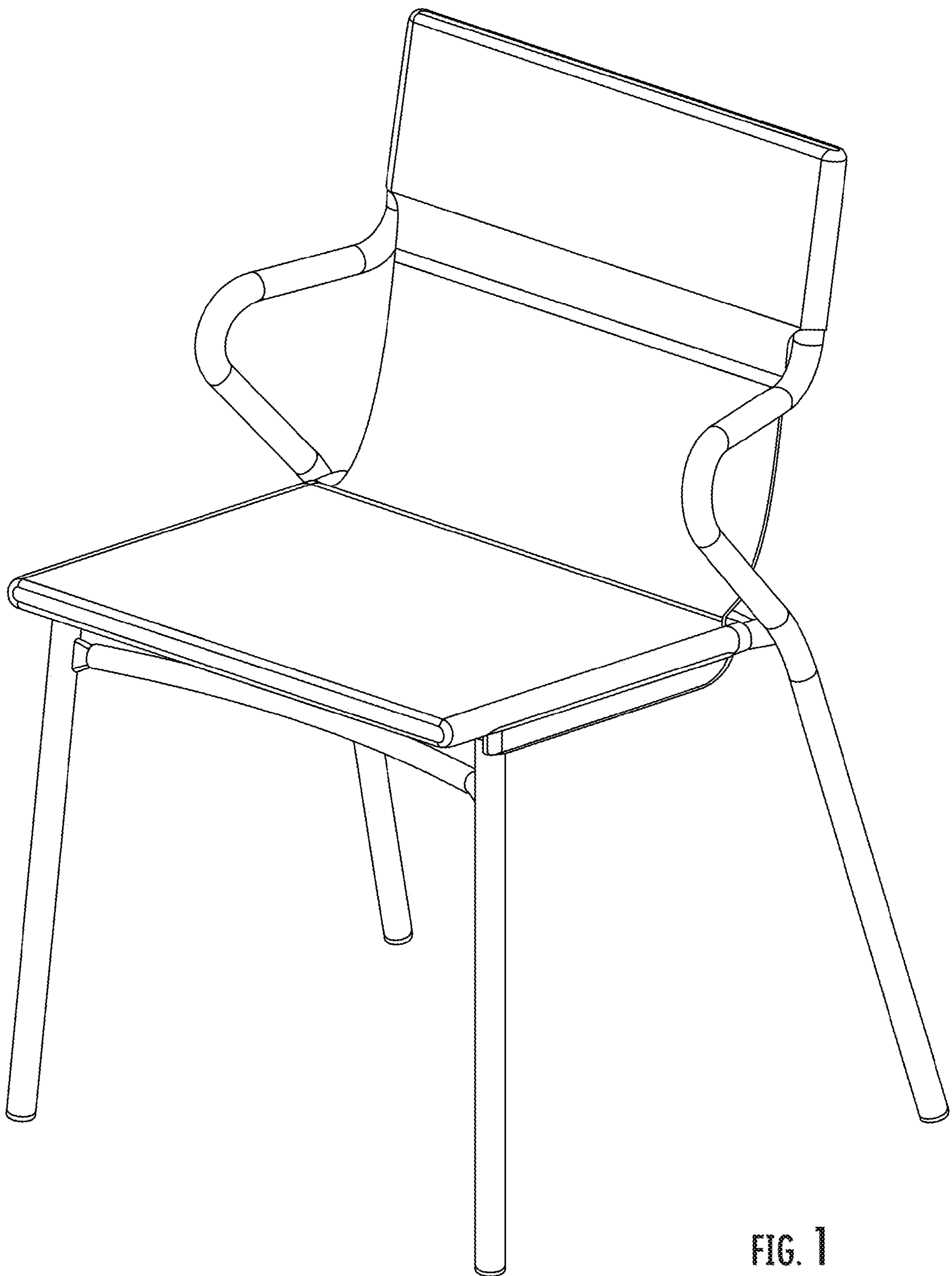


FIG. 1

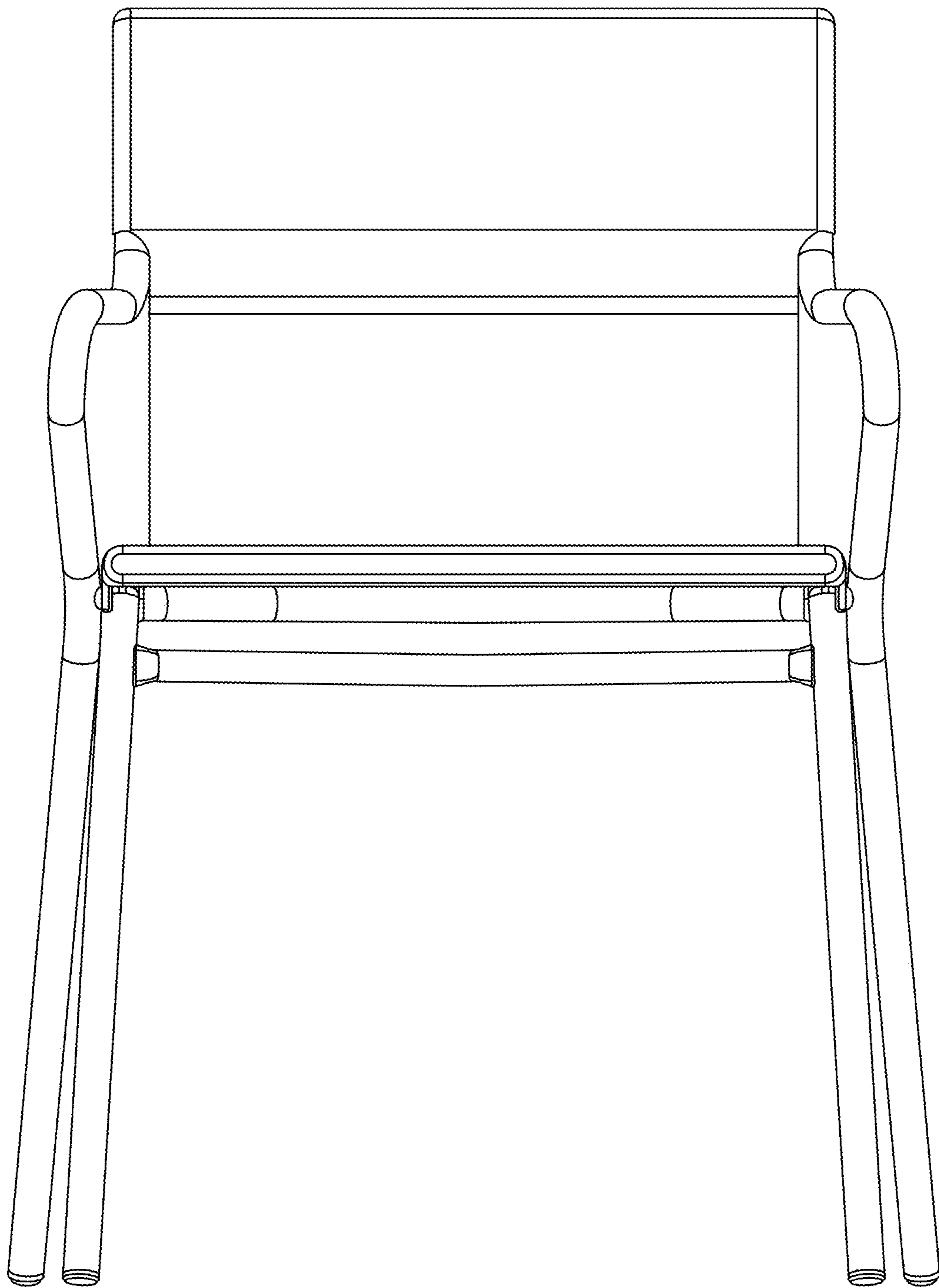


FIG. 2

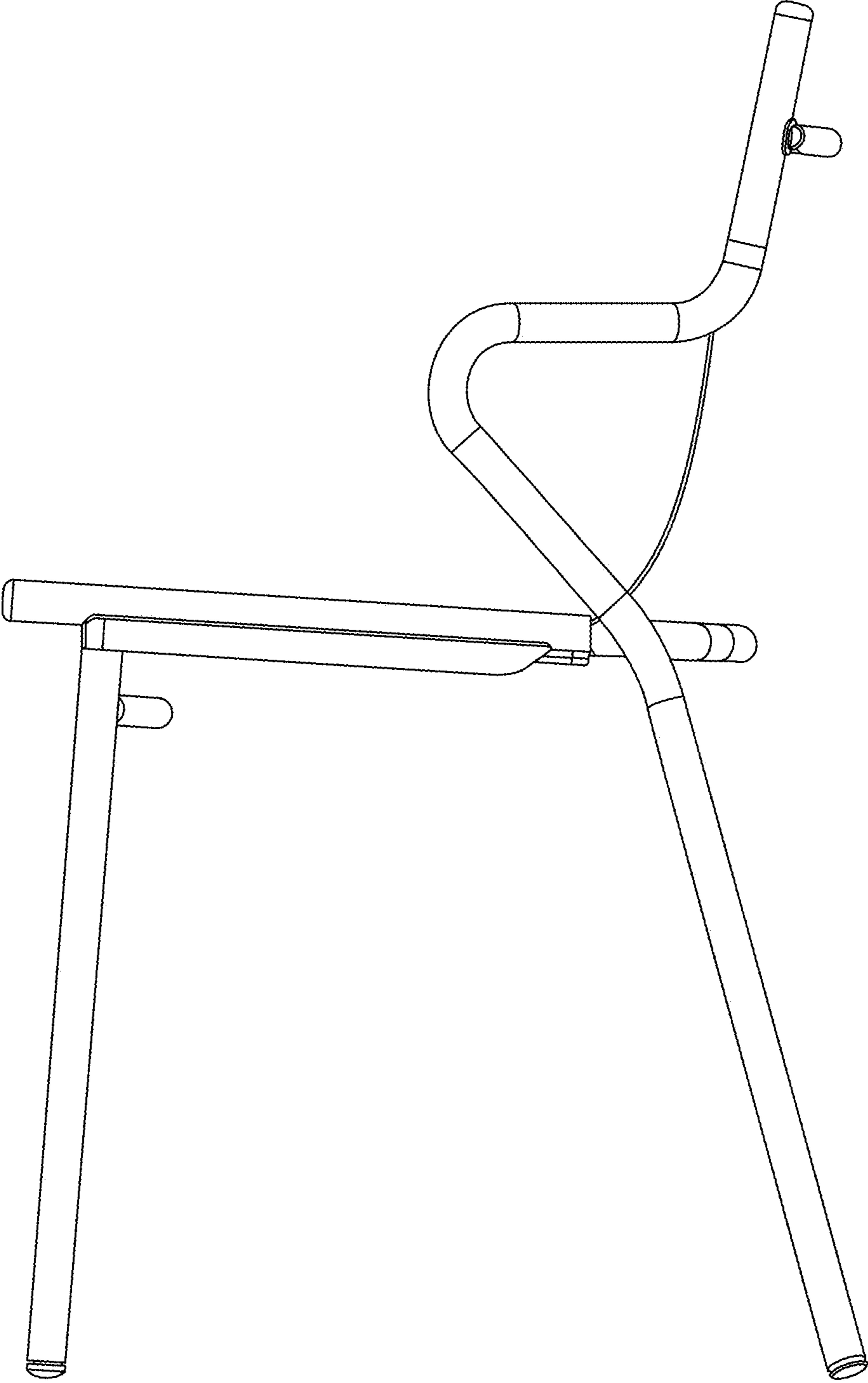


FIG. 3

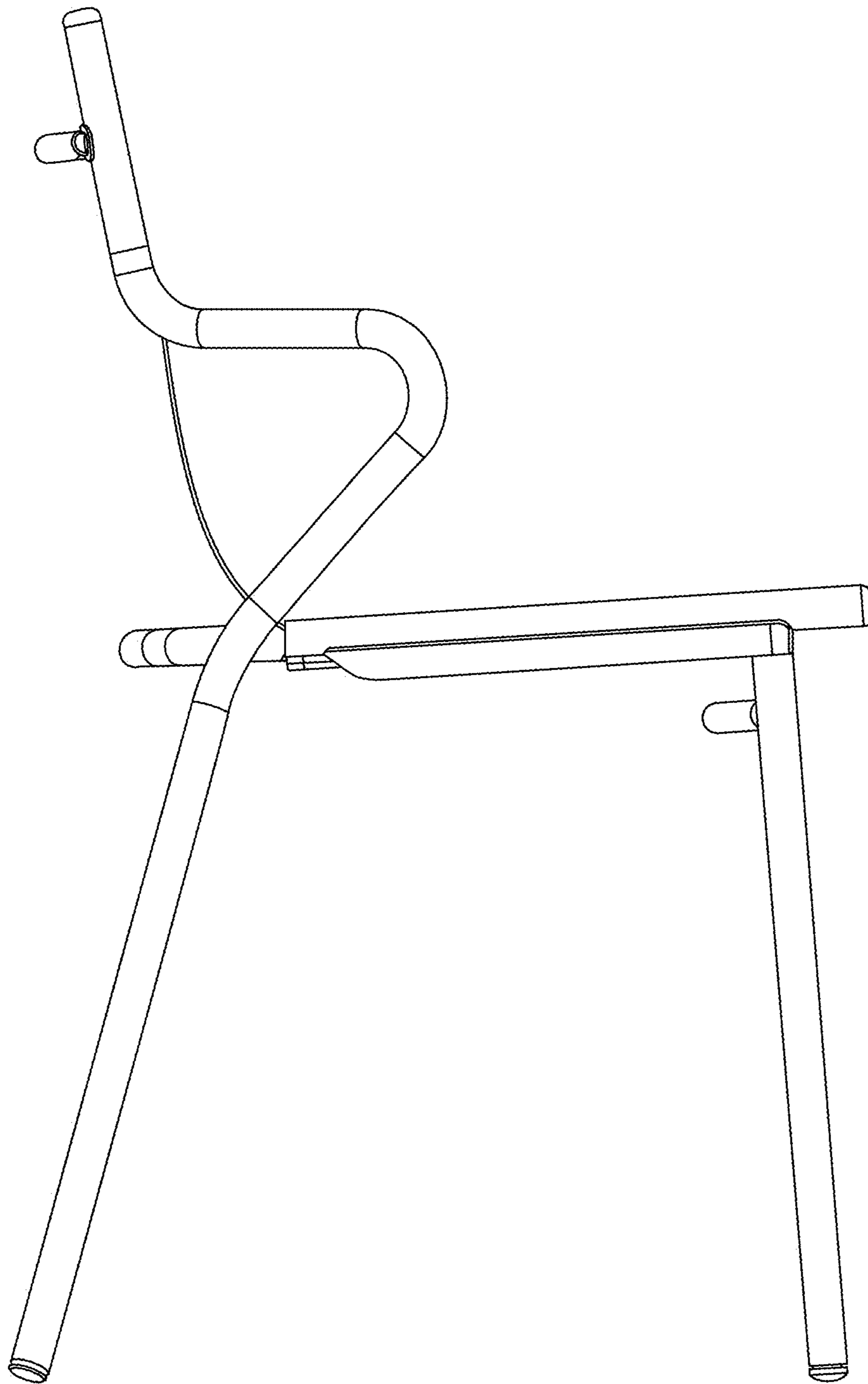


FIG. 4

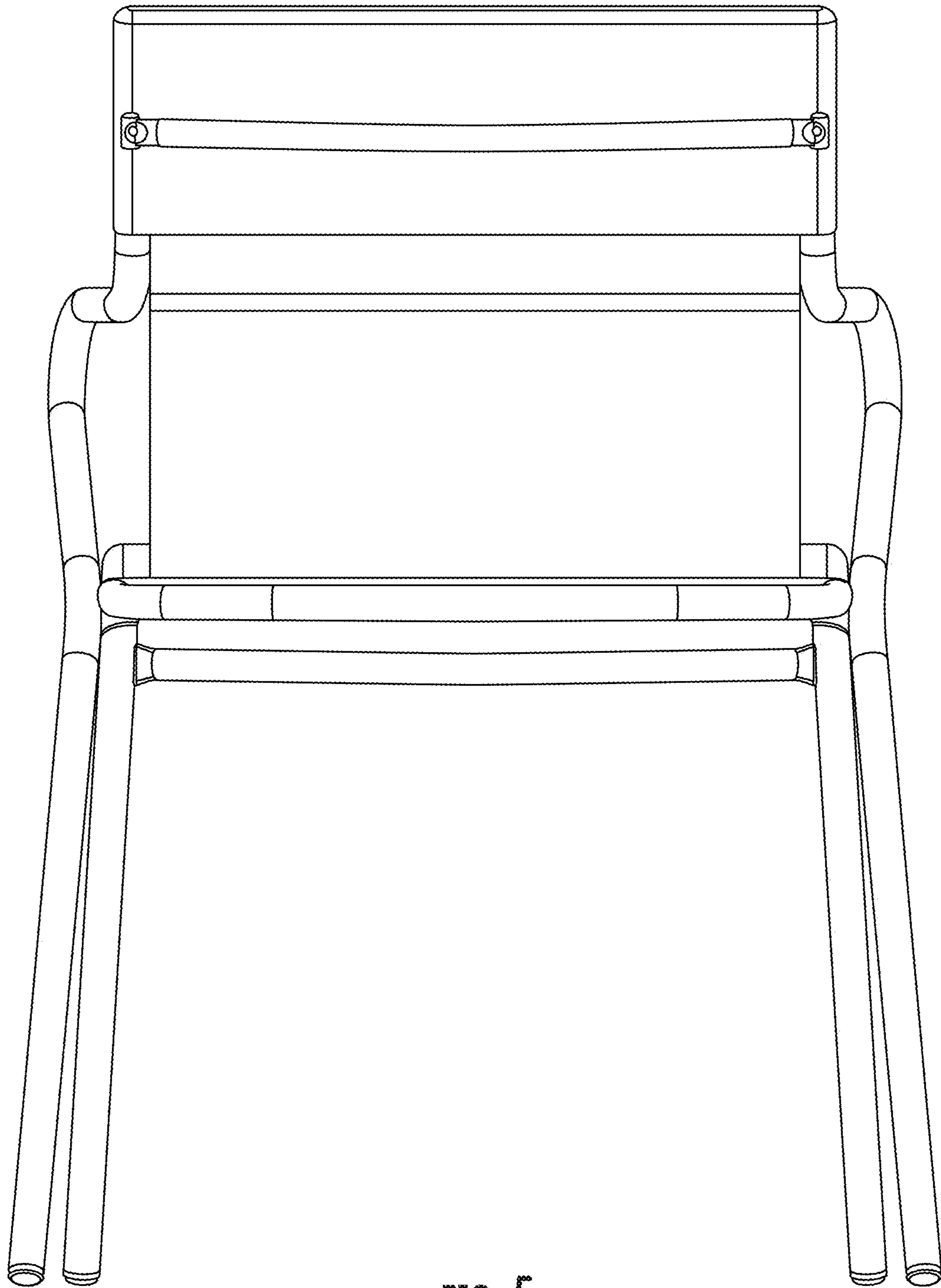


FIG. 5

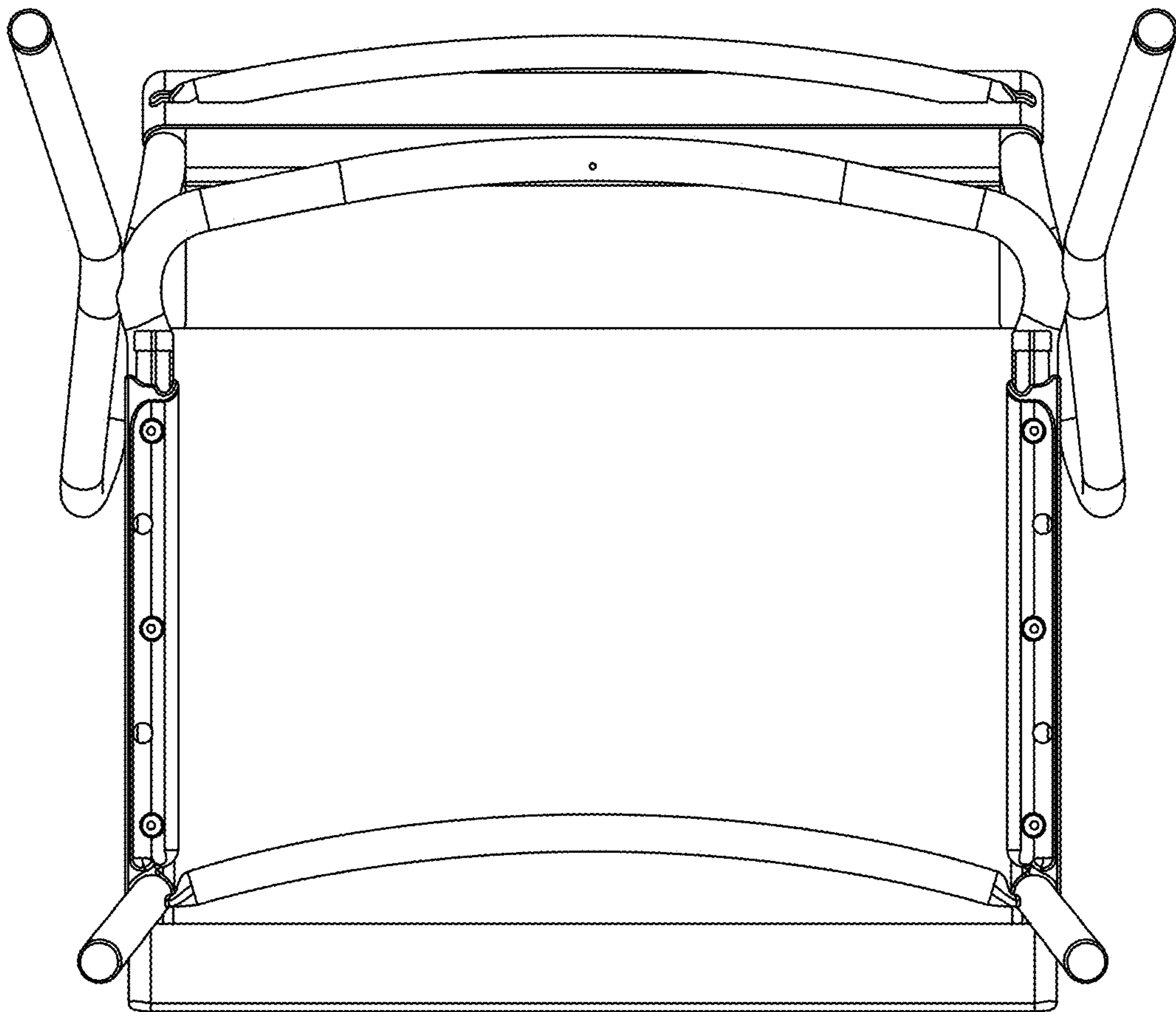


FIG. 6

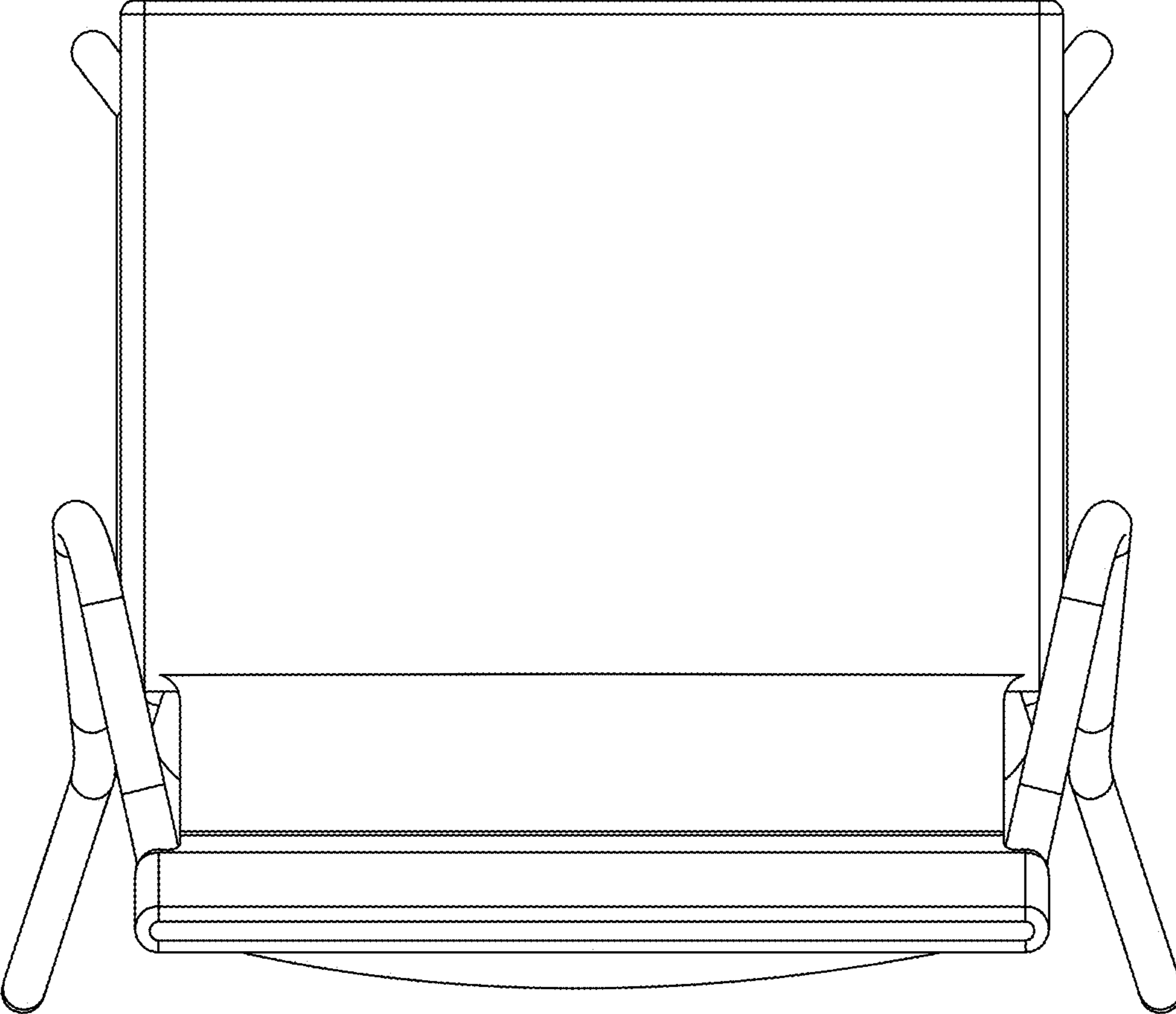


FIG. 7