



US00D881596S

(12) **United States Design Patent**
Peng

(10) **Patent No.:** **US D881,596 S**

(45) **Date of Patent:** **** Apr. 21, 2020**

(54) **MUSIC GAMING RECLINER**

(71) Applicant: **Wudi Industrial (Shanghai) Co., Ltd.**,
Shanghai (CN)

(72) Inventor: **Wu Peng**, Shanghai (CN)

(**) Term: **15 Years**

(21) Appl. No.: **29/720,639**

(22) Filed: **Jan. 15, 2020**

(51) **LOC (12) Cl.** **06-01**

(52) **U.S. Cl.**
USPC **D6/367**

(58) **Field of Classification Search**
USPC D6/334, 335, 336, 364, 365, 367, 374,
D6/375, 716, 716.1, 716.2, 716.3, 716.4
CPC A47C 1/02; A47C 1/023; A47C 1/024;
A47C 1/028; A47C 1/031; A47C 1/034;
A47C 1/035; A47C 1/037; A47C 4/028;
A47C 7/50

See application file for complete search history.

(56) **References Cited**

U.S. PATENT DOCUMENTS

- 2,857,955 A * 10/1958 De Vries A47C 1/031
297/84
- 2,869,619 A * 1/1959 Petersen A47C 1/037
297/61
- 2,871,918 A * 2/1959 Schliephacke A47C 1/031
297/85 R
- 2,880,784 A * 4/1959 Navelle A47C 1/031
297/84
- 2,892,484 A * 6/1959 Barabas A47C 1/035
297/83
- D260,823 S * 9/1981 Stulik, Jr. D6/335

- D541,064 S * 4/2007 Miller D6/367
- D551,869 S * 10/2007 Zambelli D6/367
- D572,916 S 1/2008 Contreras et al.
- D616,656 S 6/2010 Denton
- D699,043 S * 2/2014 McNae D6/335
- D814,221 S 4/2018 Yin
- D851,953 S * 6/2019 Shen D6/367
- D852,529 S * 7/2019 Shen D6/367
- D853,139 S * 7/2019 Shen D6/367

* cited by examiner

Primary Examiner — Mimosa De

(74) *Attorney, Agent, or Firm* — KA Filing LLC; Wayne
V. Harper

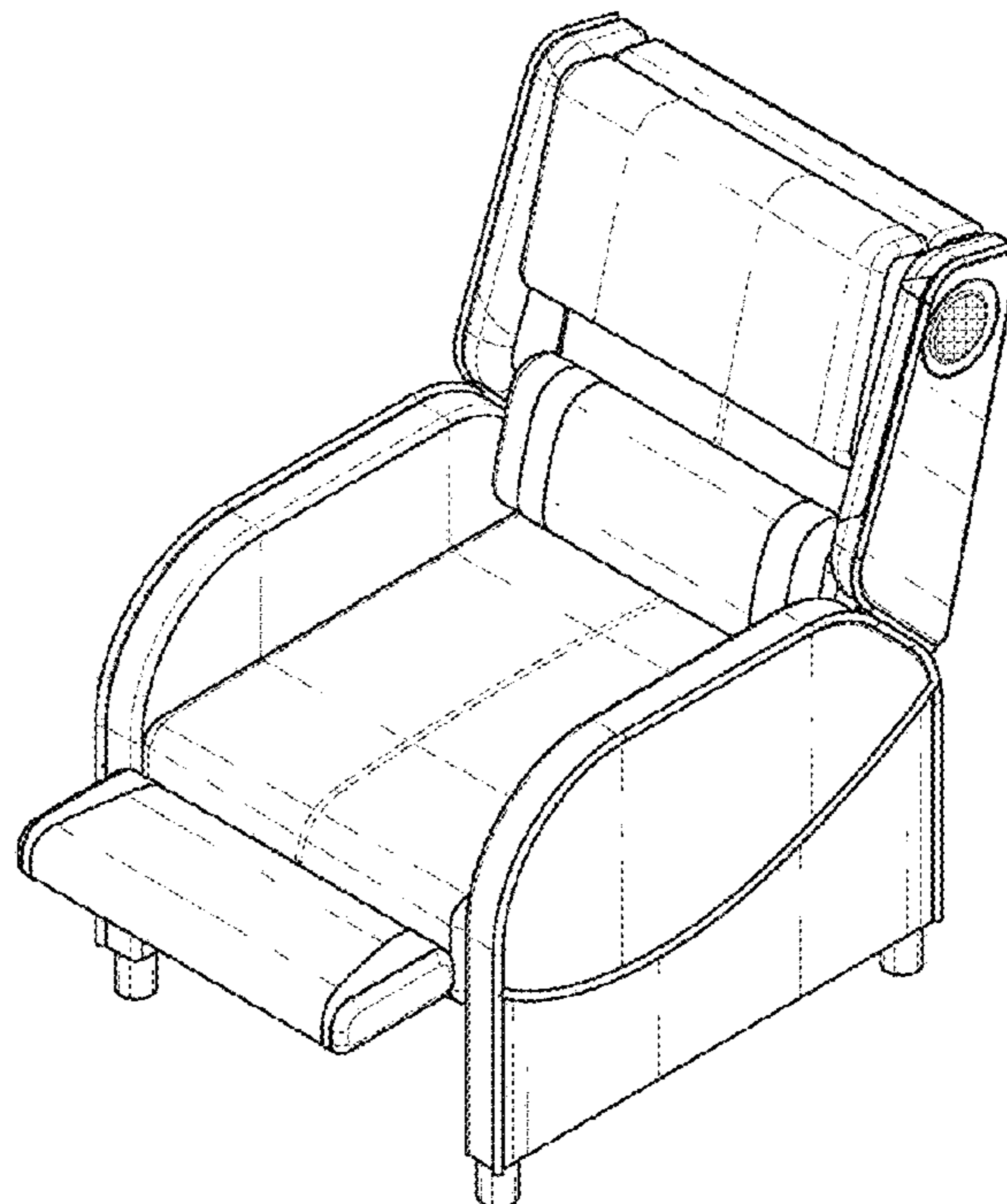
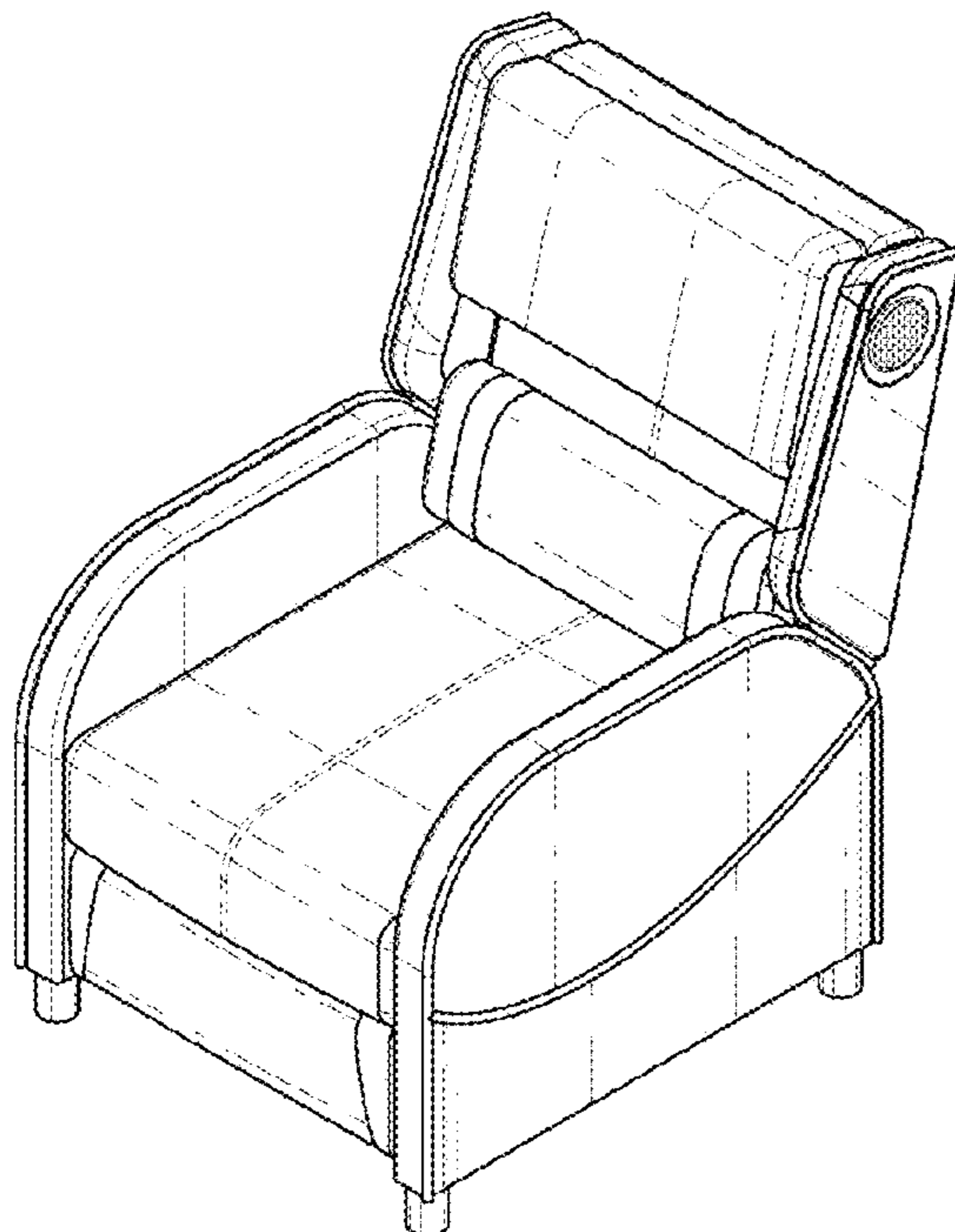
(57) **CLAIM**

I claim the ornamental design for a music gaming recliner,
as shown and described.

DESCRIPTION

FIG. 1 is a Perspective view of a music gaming recliner showing my new design;
 FIG. 2 is other perspective view thereof;
 FIG. 3 is a Front view thereof;
 FIG. 4 is a Back view thereof;
 FIG. 5 is a Right-side view thereof;
 FIG. 6 is a Left-side view thereof;
 FIG. 7 is a Top view thereof;
 FIG. 8 is a Bottom view thereof;
 FIG. 9 is other right-side view thereof; and,
 FIG. 10 is other Left-side view thereof.
 The broken lines are only for stitching on the music gaming recliner.

1 Claim, 10 Drawing Sheets



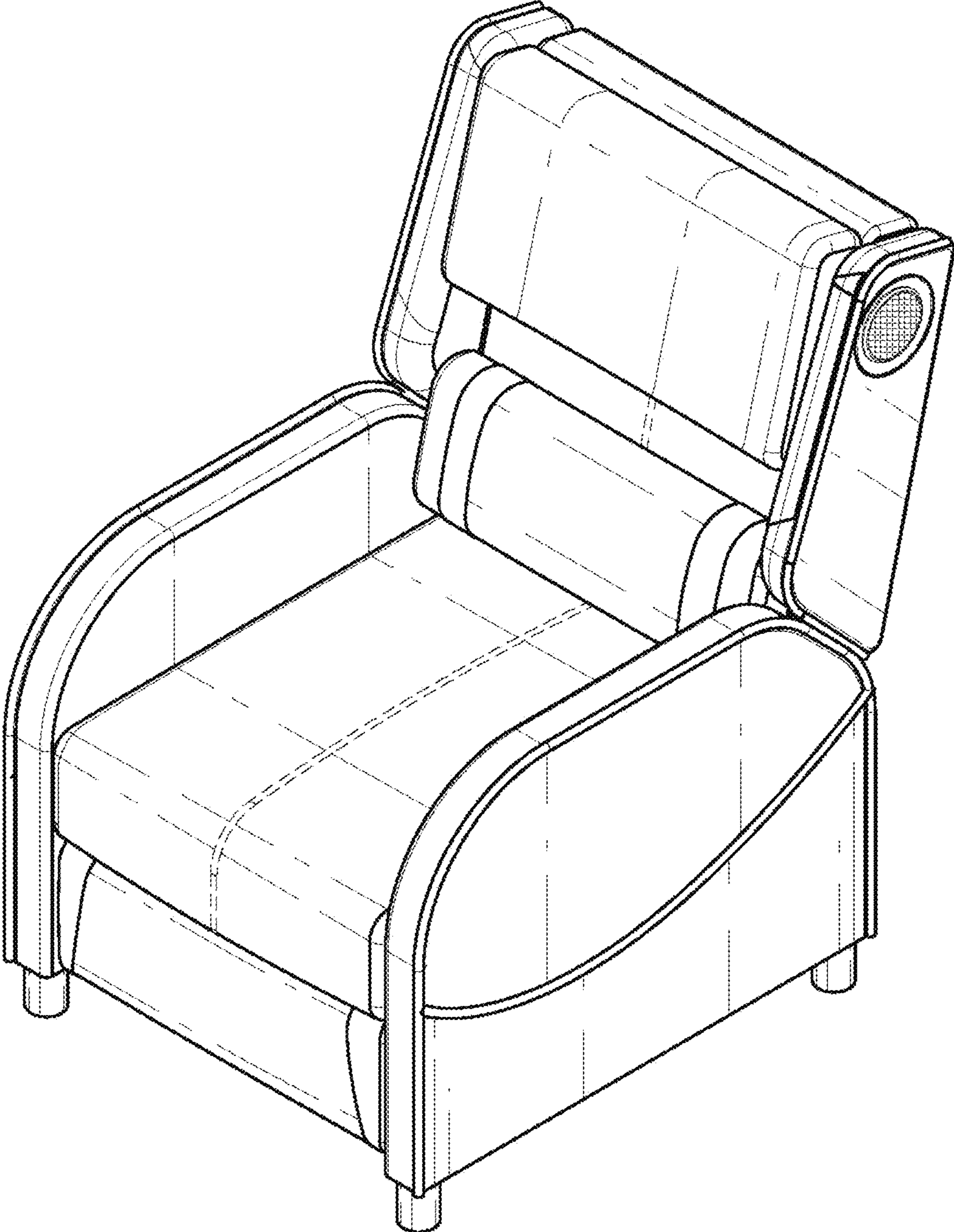


FIG. 1

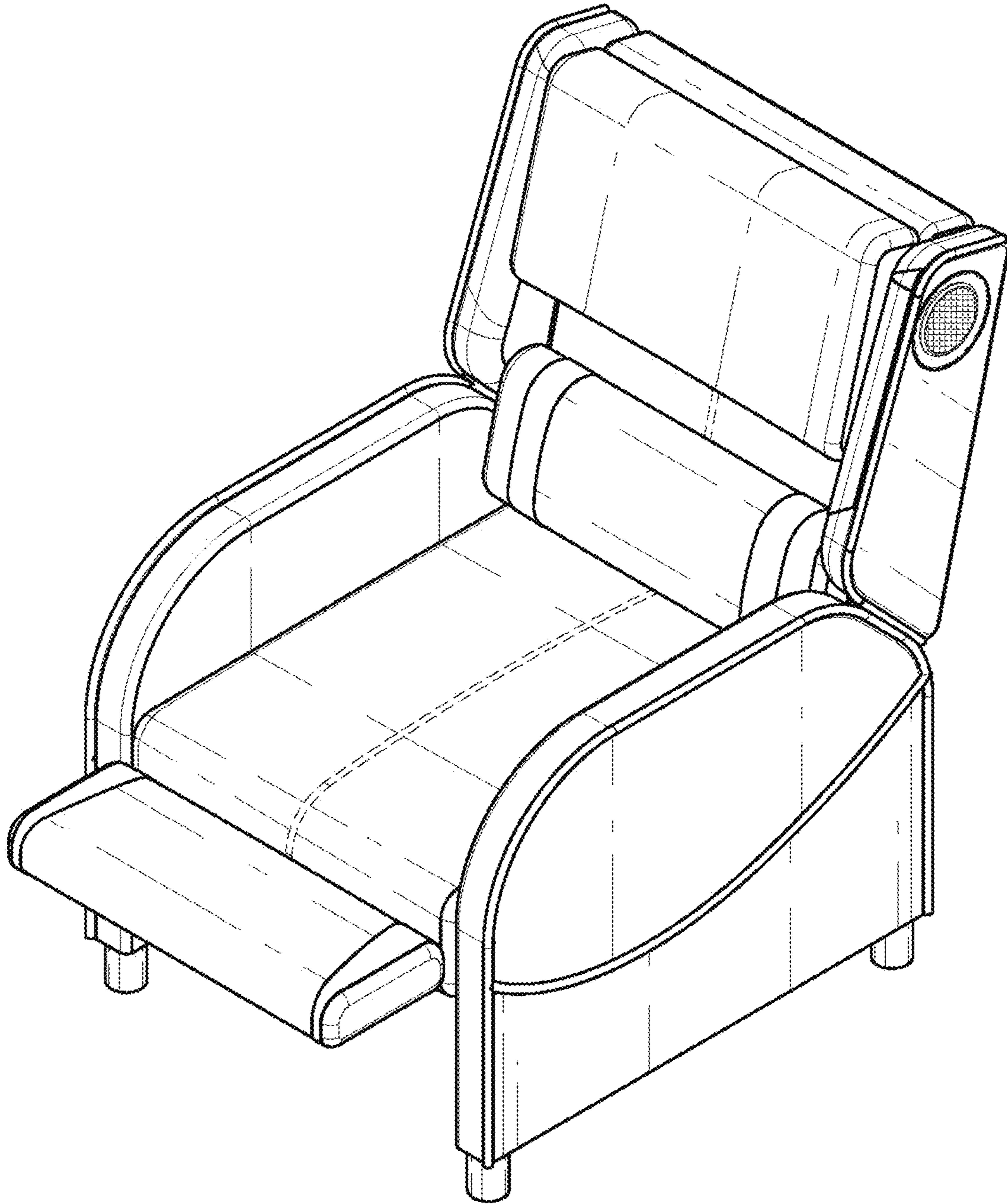


FIG. 2

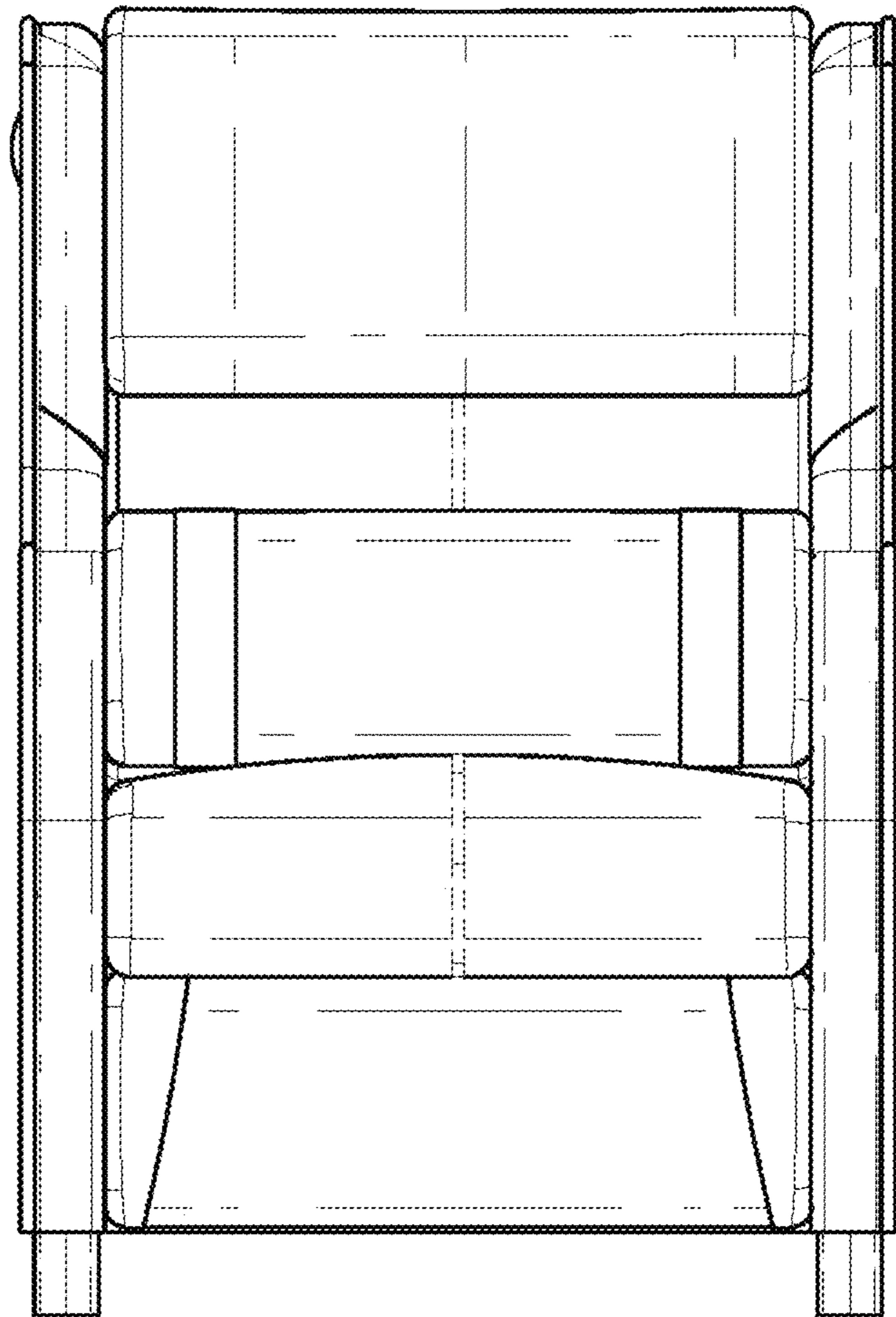


FIG. 3

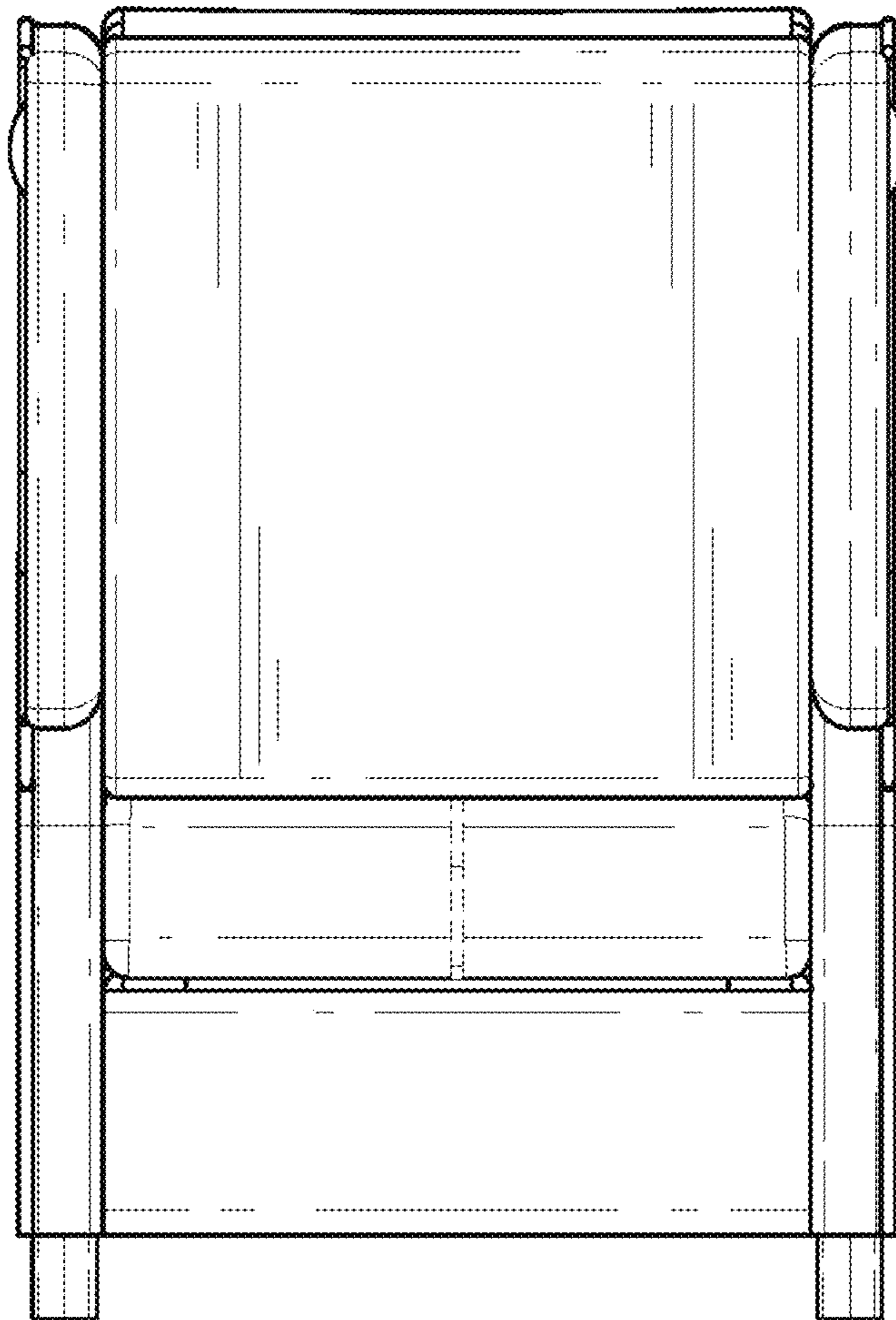


FIG. 4

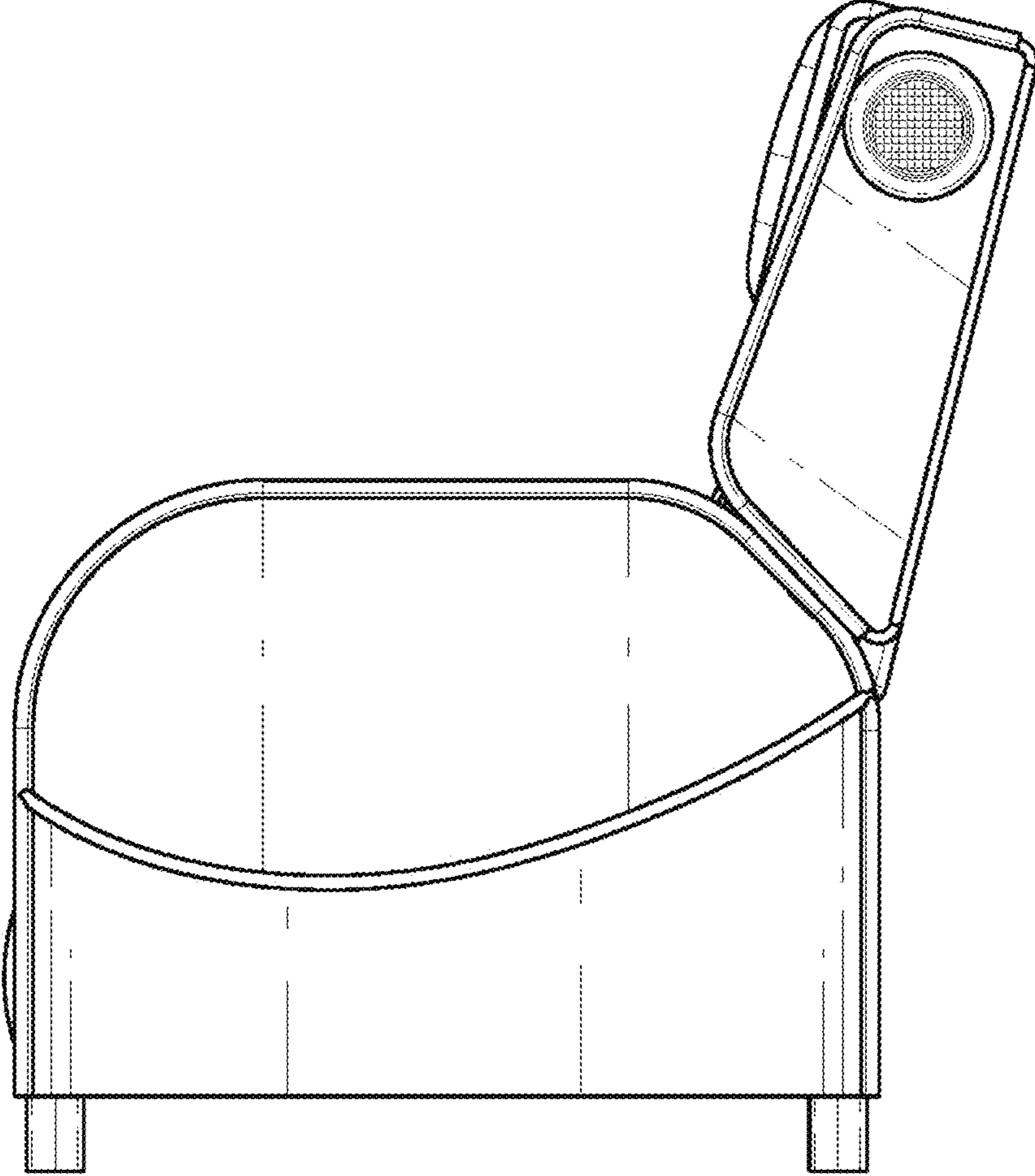


FIG. 5

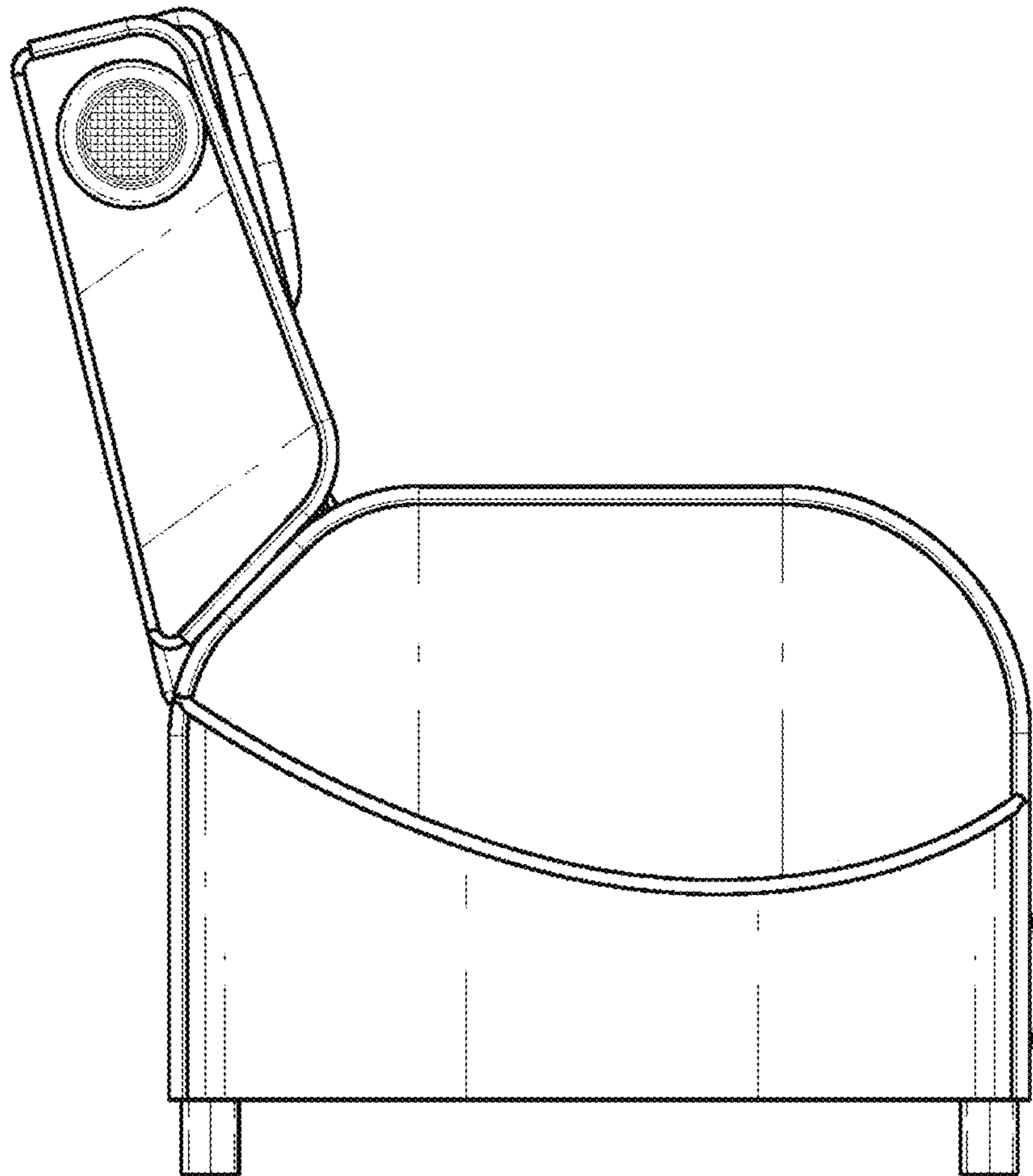


FIG. 6

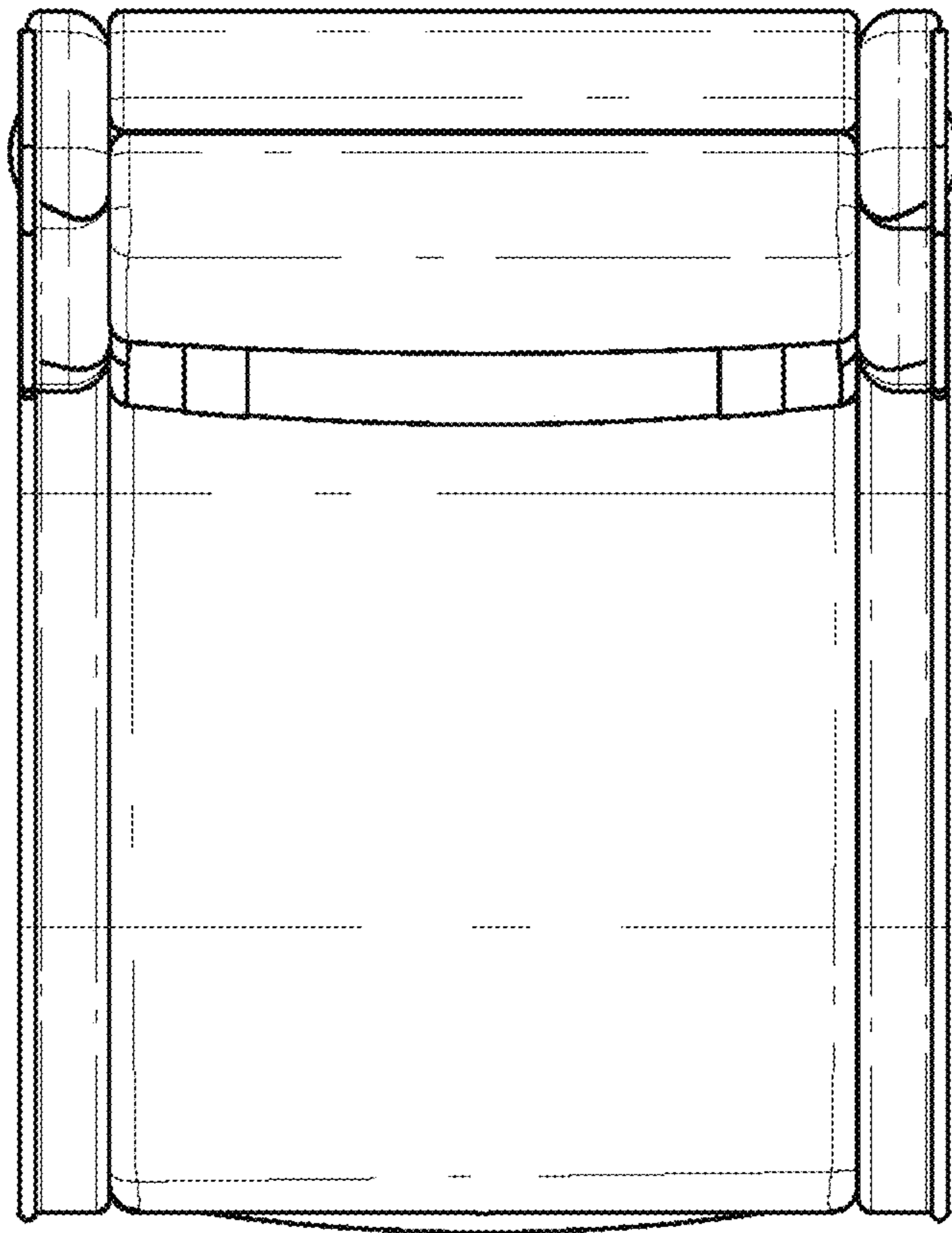


FIG. 7

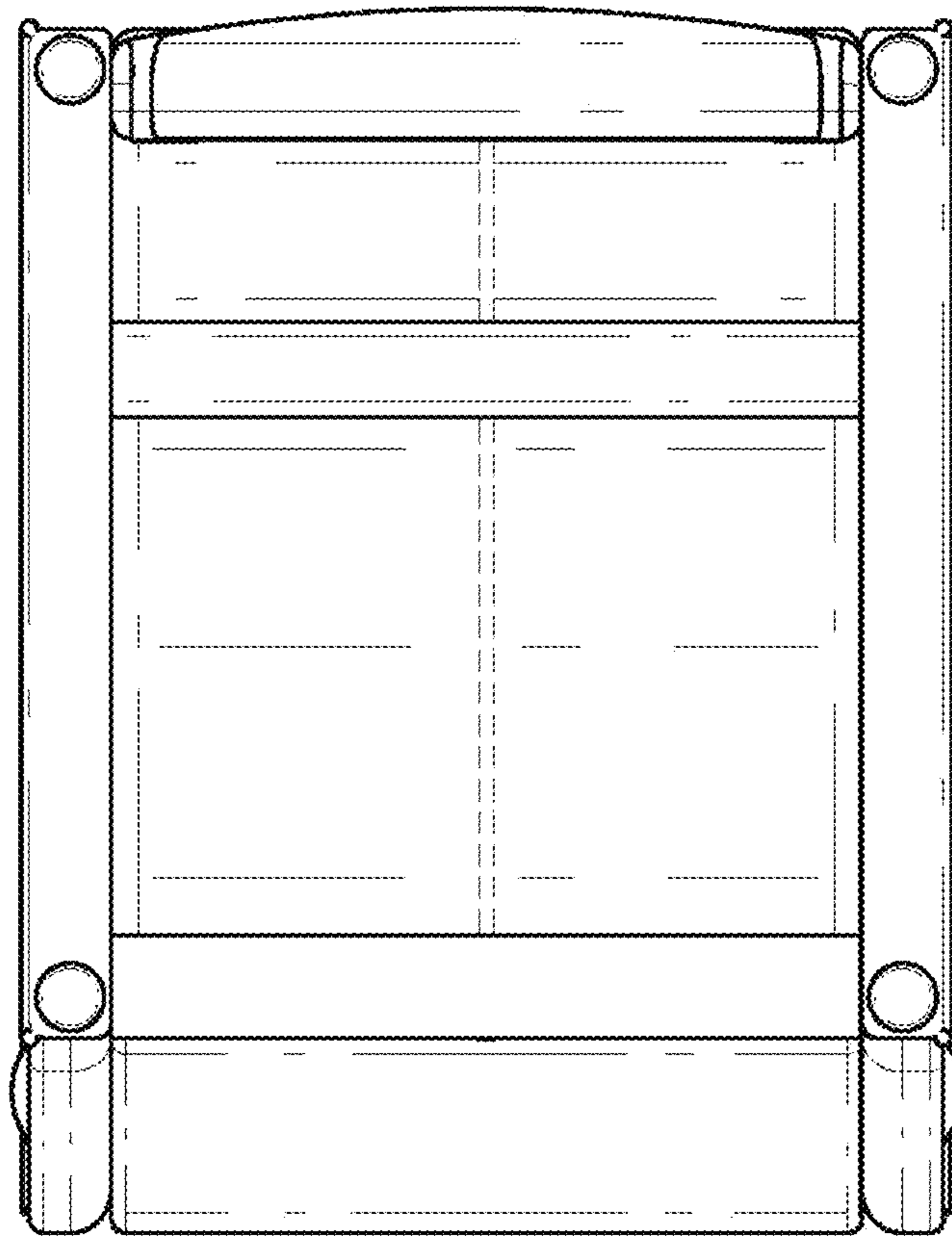


FIG. 8

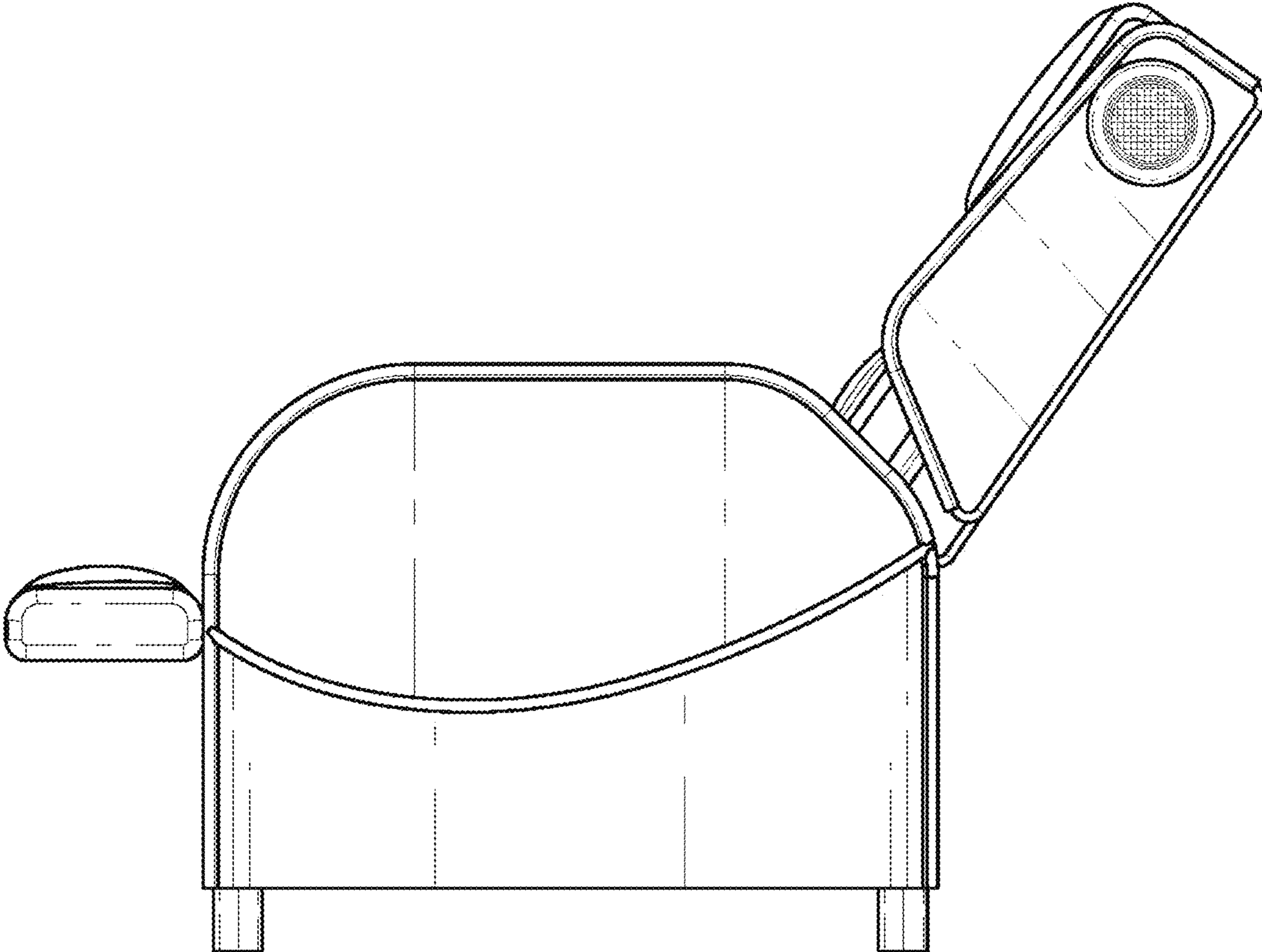


FIG. 9

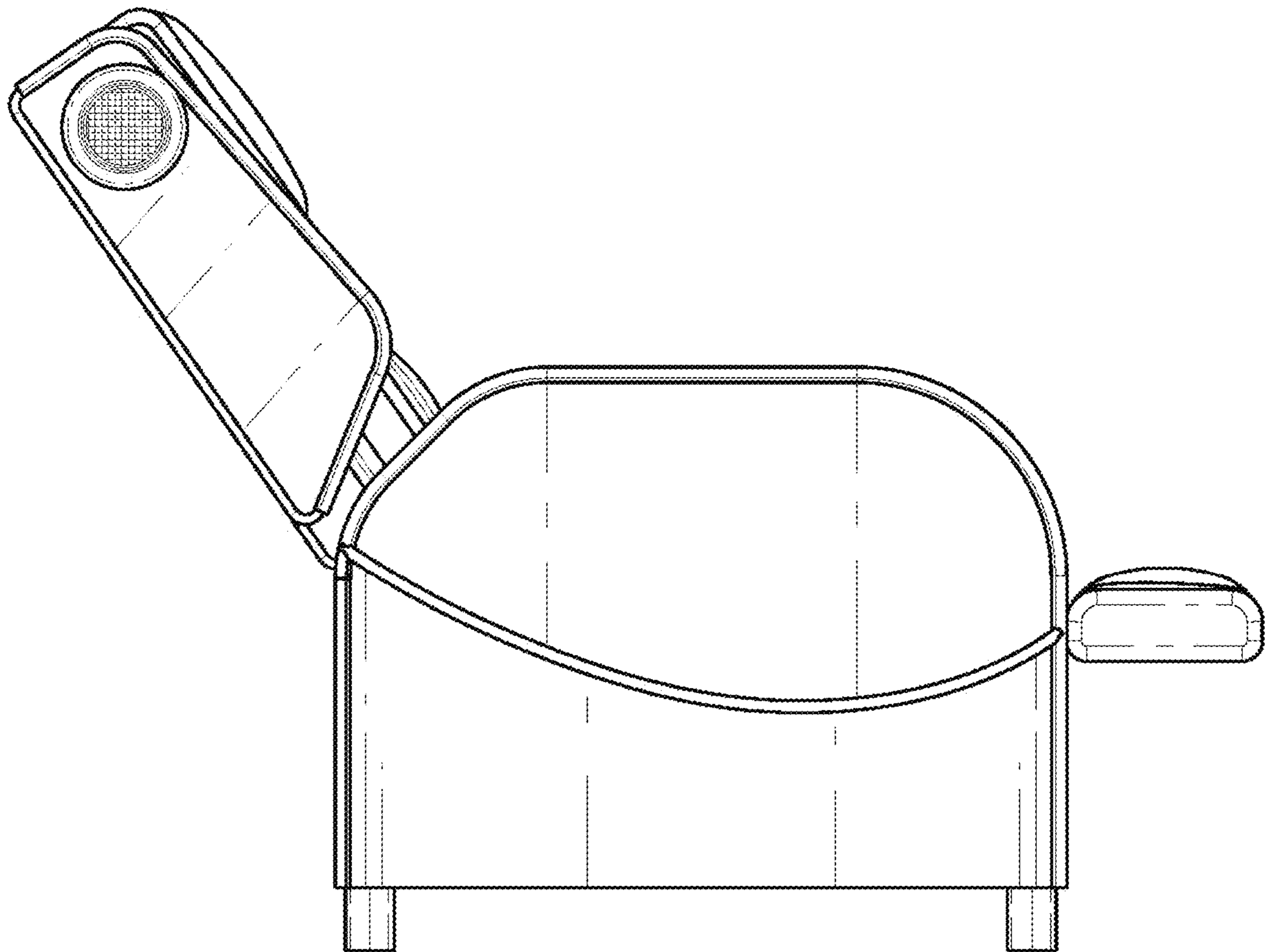


FIG. 10