



US00D881593S

(12) **United States Design Patent** (10) **Patent No.:** **US D881,593 S**  
**Li** (45) **Date of Patent:** **\*\* Apr. 21, 2020**

(54) **OTTOMAN**  
(71) Applicant: **Homy Casa Limited**, Hong Kong (HK)  
(72) Inventor: **YueHai Li**, Guangzhou (CN)  
(73) Assignee: **HOMY CASA LIMITED**, Sheung Wan (HK)

(\*\*) Term: **15 Years**

(21) Appl. No.: **29/624,215**

(22) Filed: **Oct. 31, 2017**

(51) **LOC (12) Cl.** ..... **06-01**

(52) **U.S. Cl.**  
USPC ..... **D6/352**

(58) **Field of Classification Search**  
USPC ..... D6/334-338, 340-343, 349-353, 355,  
D6/358, 364-365, 597, 691-691.9,  
D6/692-692.6, 716-716.1  
CPC ..... A47B 7/00-02; A47C 11/00; A47C 12/00;  
A47C 13/00; A47C 16/00; A47C 16/02;  
A47C 16/04; A47C 9/00-105; A47K  
17/02; A47K 17/028  
See application file for complete search history.

(56) **References Cited**

**U.S. PATENT DOCUMENTS**

D172,633 S \* 7/1954 Niemann ..... D6/349  
D216,012 S \* 11/1969 Buchsbaum et al. .... D6/352  
3,536,359 A \* 10/1970 Amos ..... A47C 3/04  
297/239

D234,477 S \* 3/1975 Lockhardt, Jr. et al. .... D6/349  
D254,127 S \* 2/1980 Sgroi ..... 47/71  
D384,211 S \* 9/1997 Wied ..... D6/349  
D427,791 S \* 7/2000 Peterson ..... D6/349  
D545,071 S \* 6/2007 Potter ..... D6/336  
D681,356 S \* 5/2013 Iwasaki ..... D6/349  
D803,604 S \* 11/2017 Arditì ..... D6/667  
D818,730 S \* 5/2018 Melbostad ..... D6/352

**OTHER PUBLICATIONS**

Upholstered Storage Base Ottoman Large west elm. [online] Retrieved Nov. 6, 2018 from URL: [https://www.westelm.com/products/upholstered-base-ottoman-large-h3058/?pkey=cplayroom-storage-furniture&isx=0.0.0.\\*](https://www.westelm.com/products/upholstered-base-ottoman-large-h3058/?pkey=cplayroom-storage-furniture&isx=0.0.0.*)

\* cited by examiner

*Primary Examiner* — Vy N Koenig  
(74) *Attorney, Agent, or Firm* — Hauptman Ham, LLP

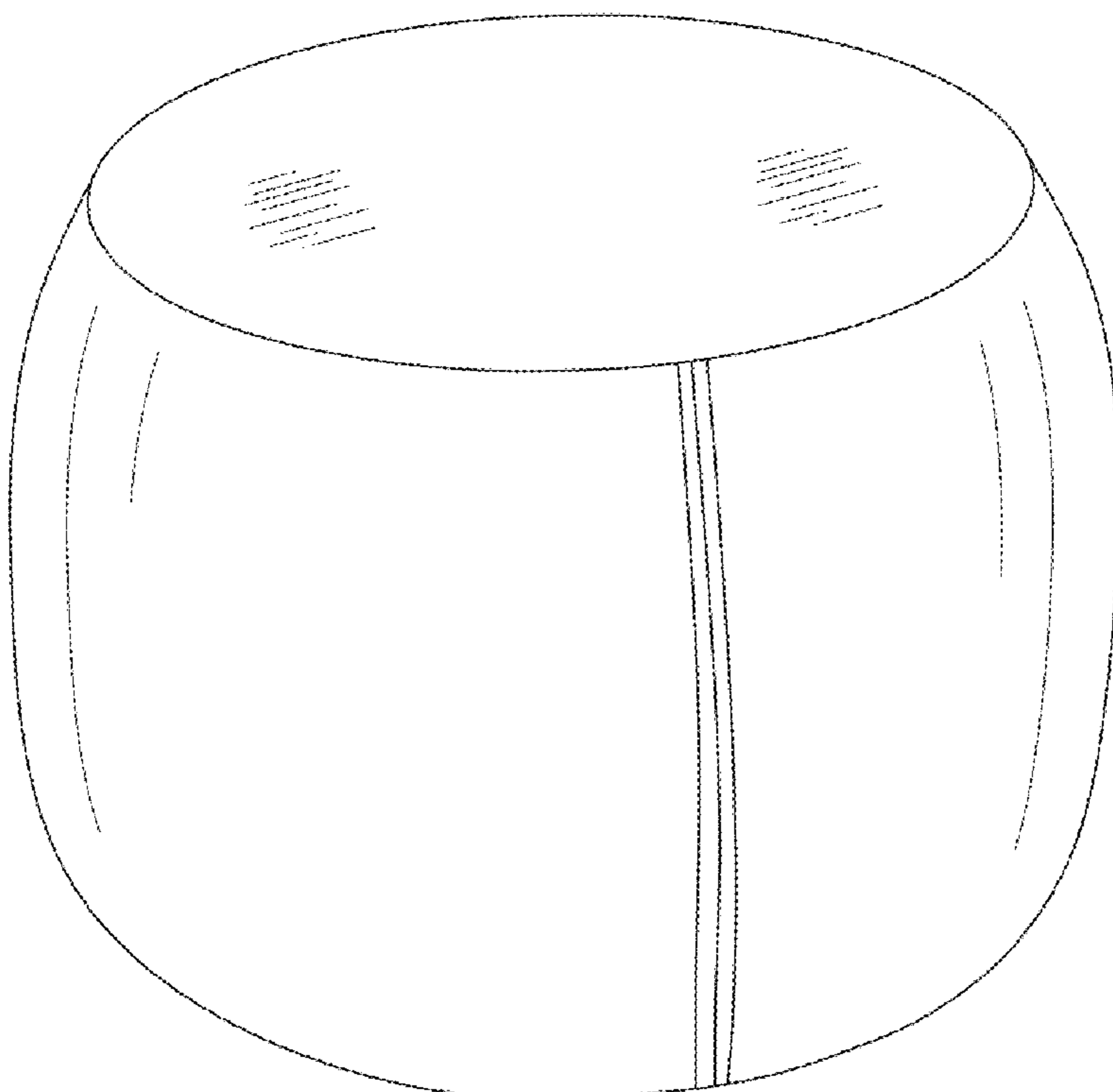
(57) **CLAIM**

The ornamental design for an ottoman, as shown.

**DESCRIPTION**

FIG. 1 is a front view of an ottoman showing my new design;  
FIG. 2 is a bottom view thereof;  
FIG. 3 is a left side view thereof;  
FIG. 4 is a right side view thereof;  
FIG. 5 is a top view thereof;  
FIG. 6 is a rear view thereof; and,  
FIG. 7 is a perspective view thereof.

**1 Claim, 7 Drawing Sheets**



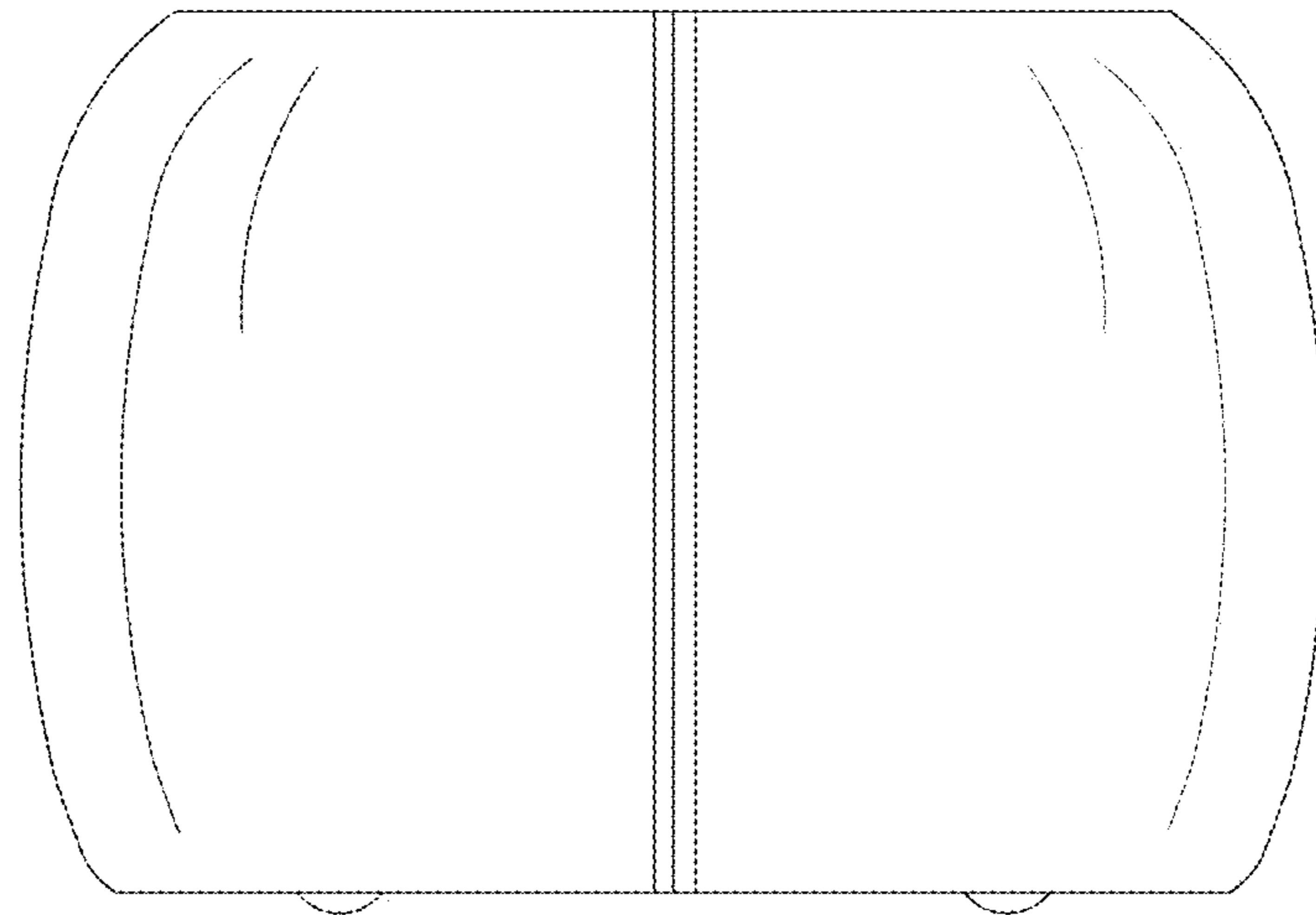


Fig 1

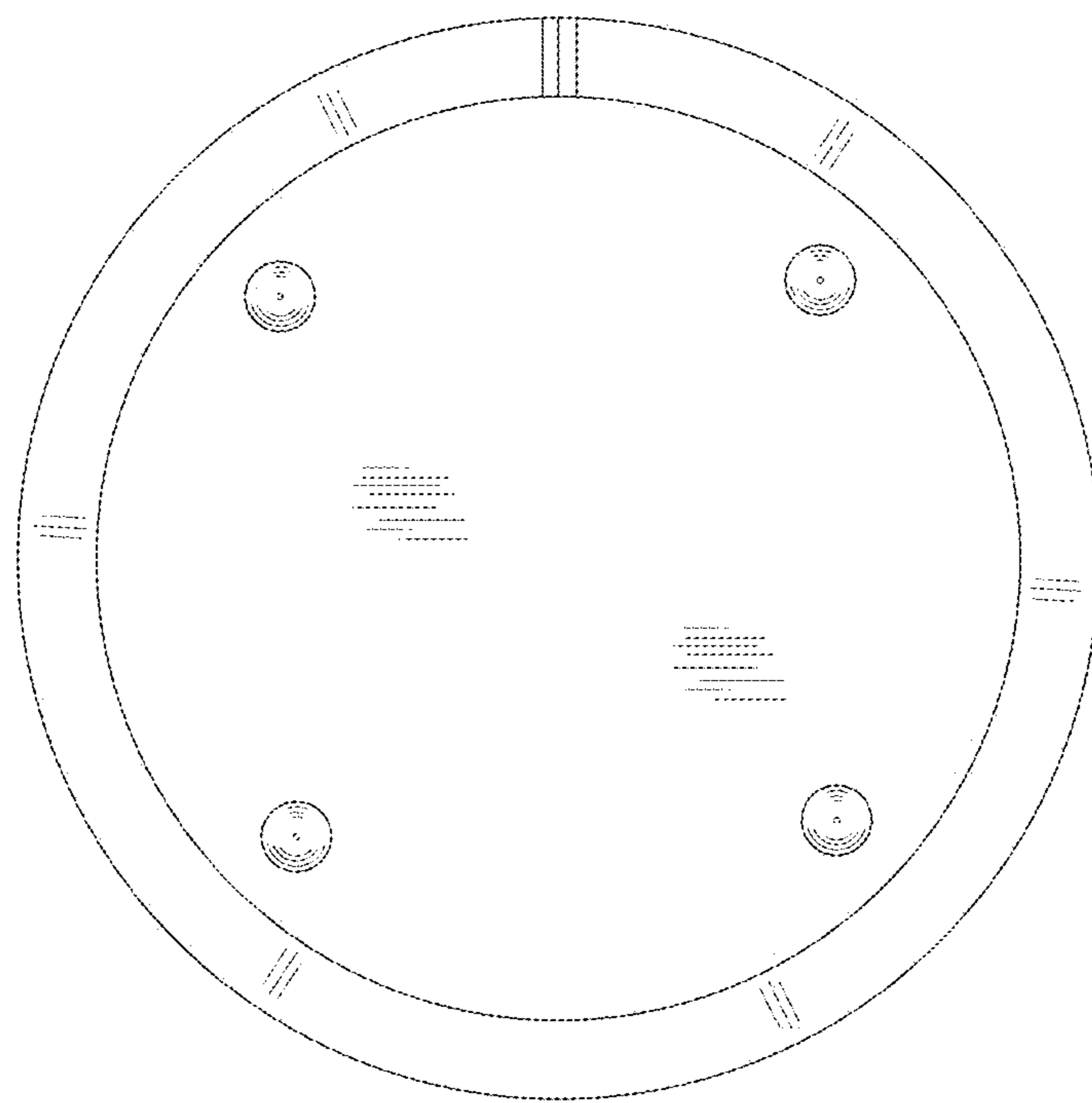


Fig 2

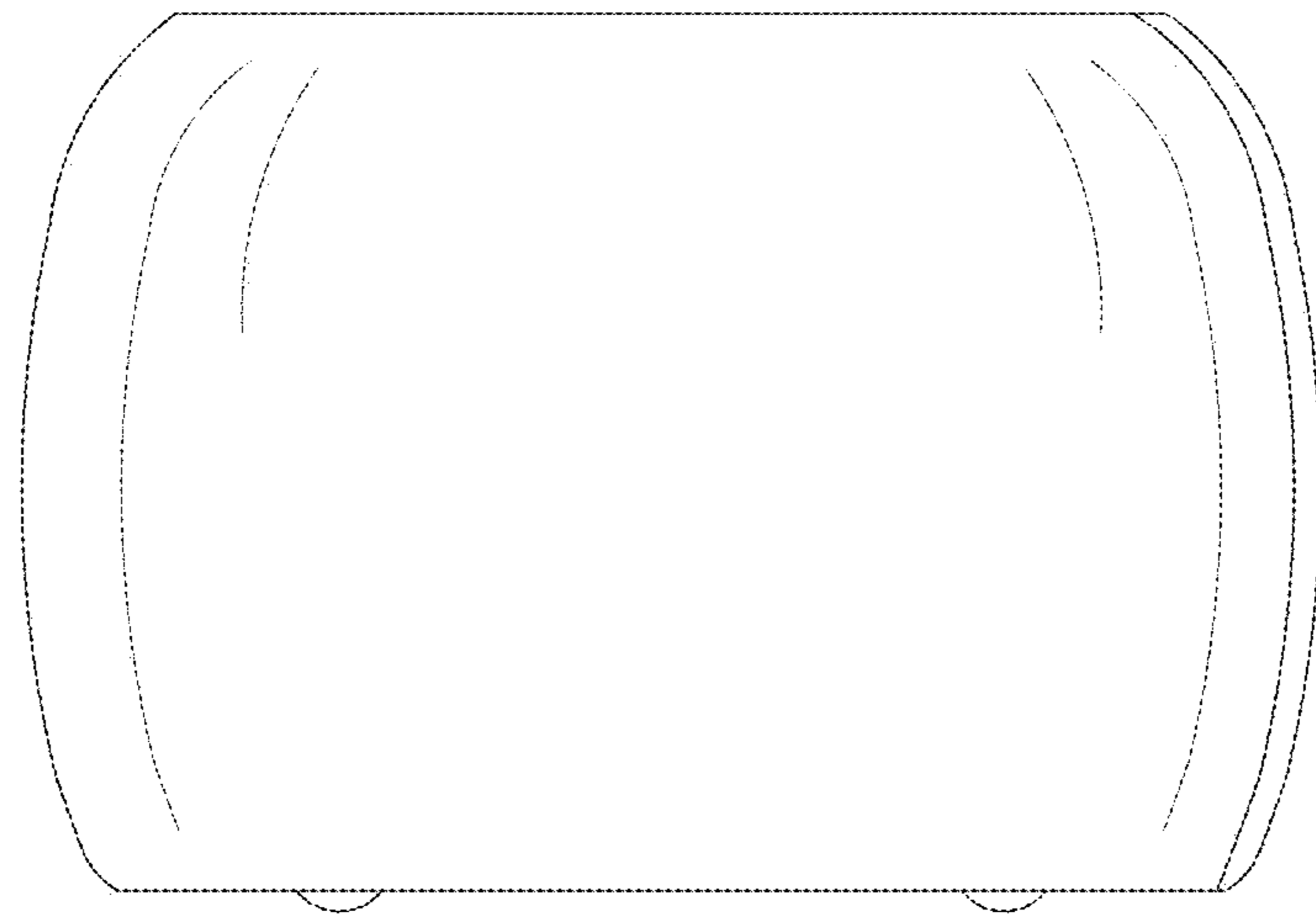


Fig 3

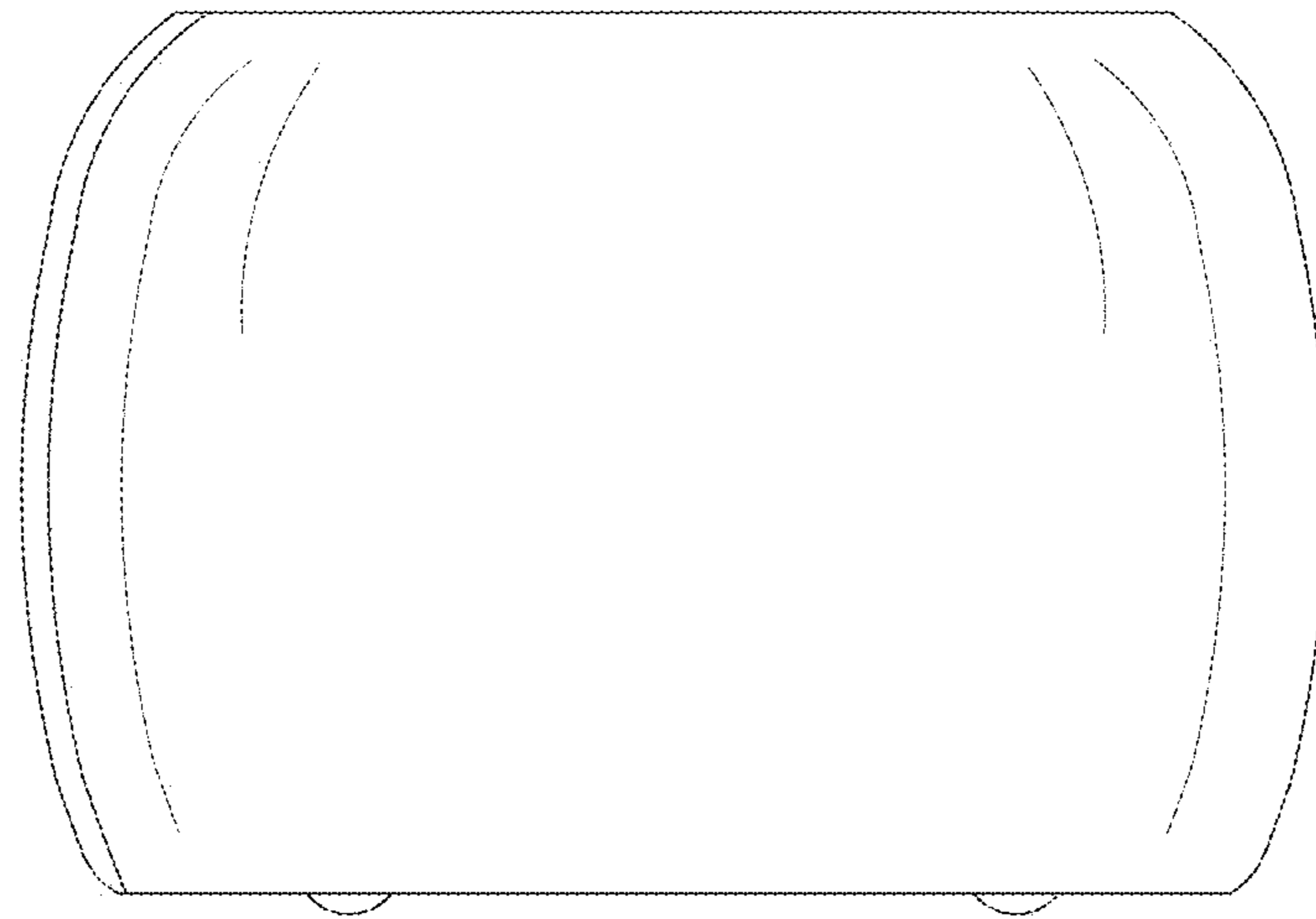


Fig 4

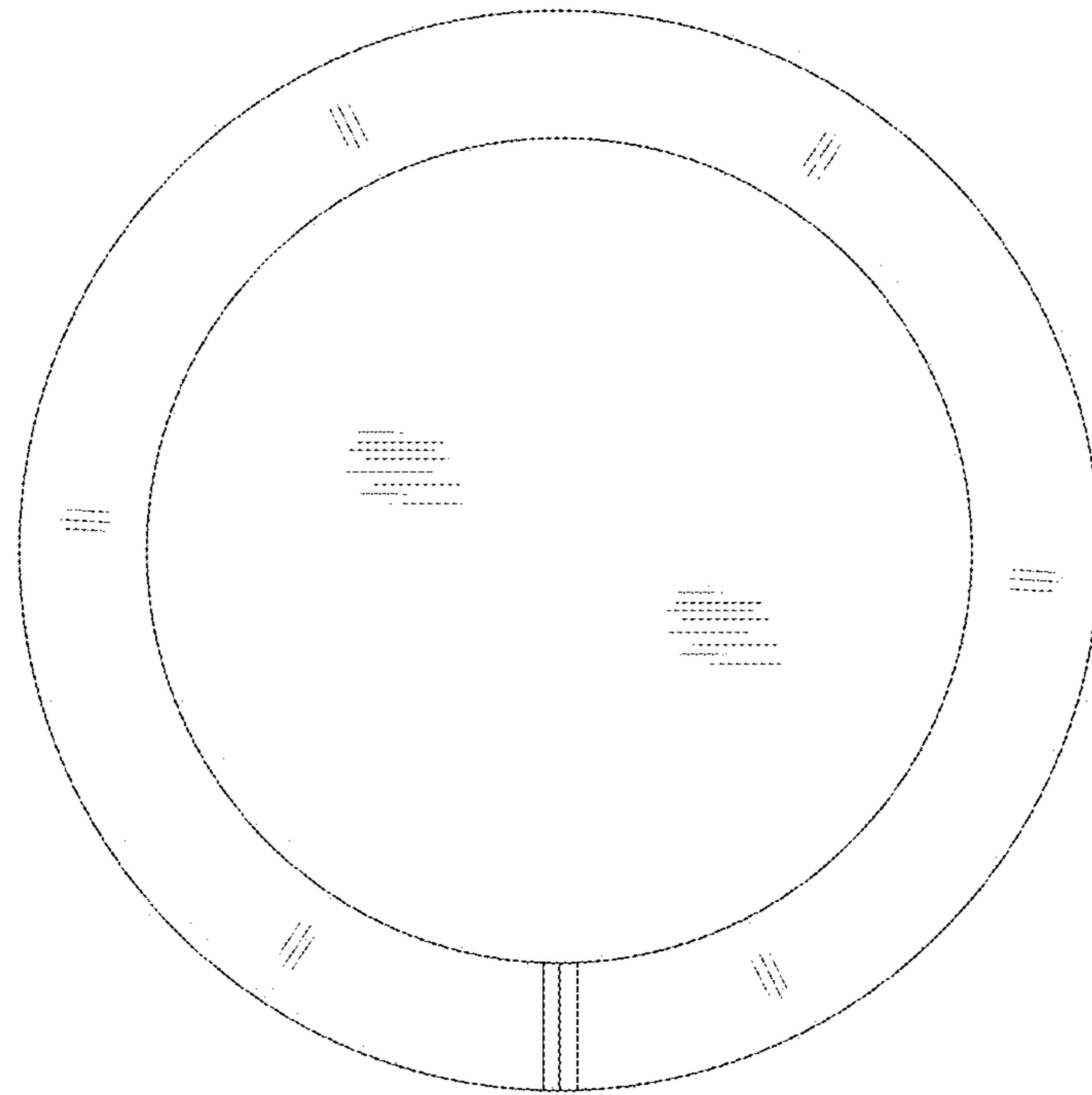


Fig 5

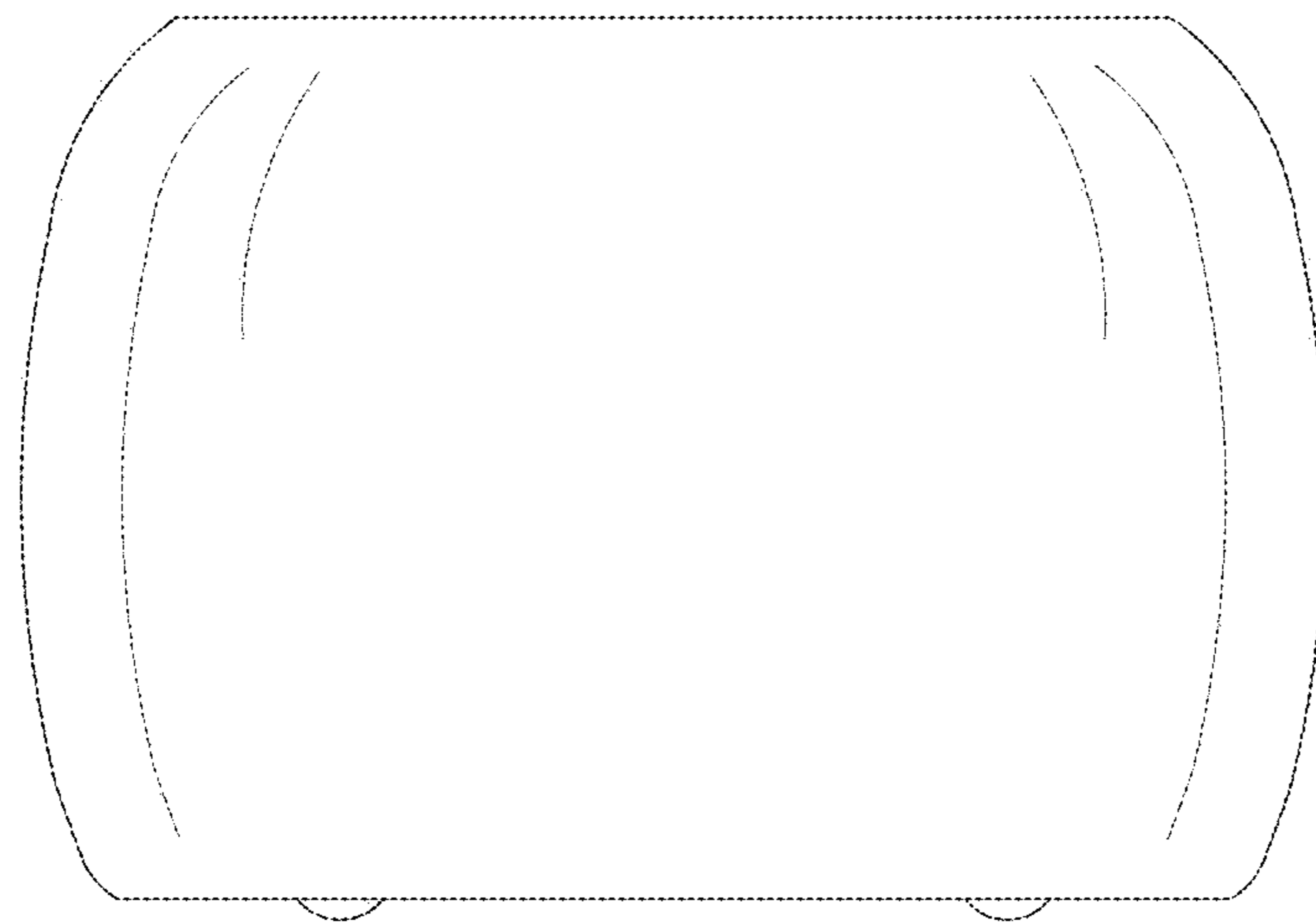


Fig 6

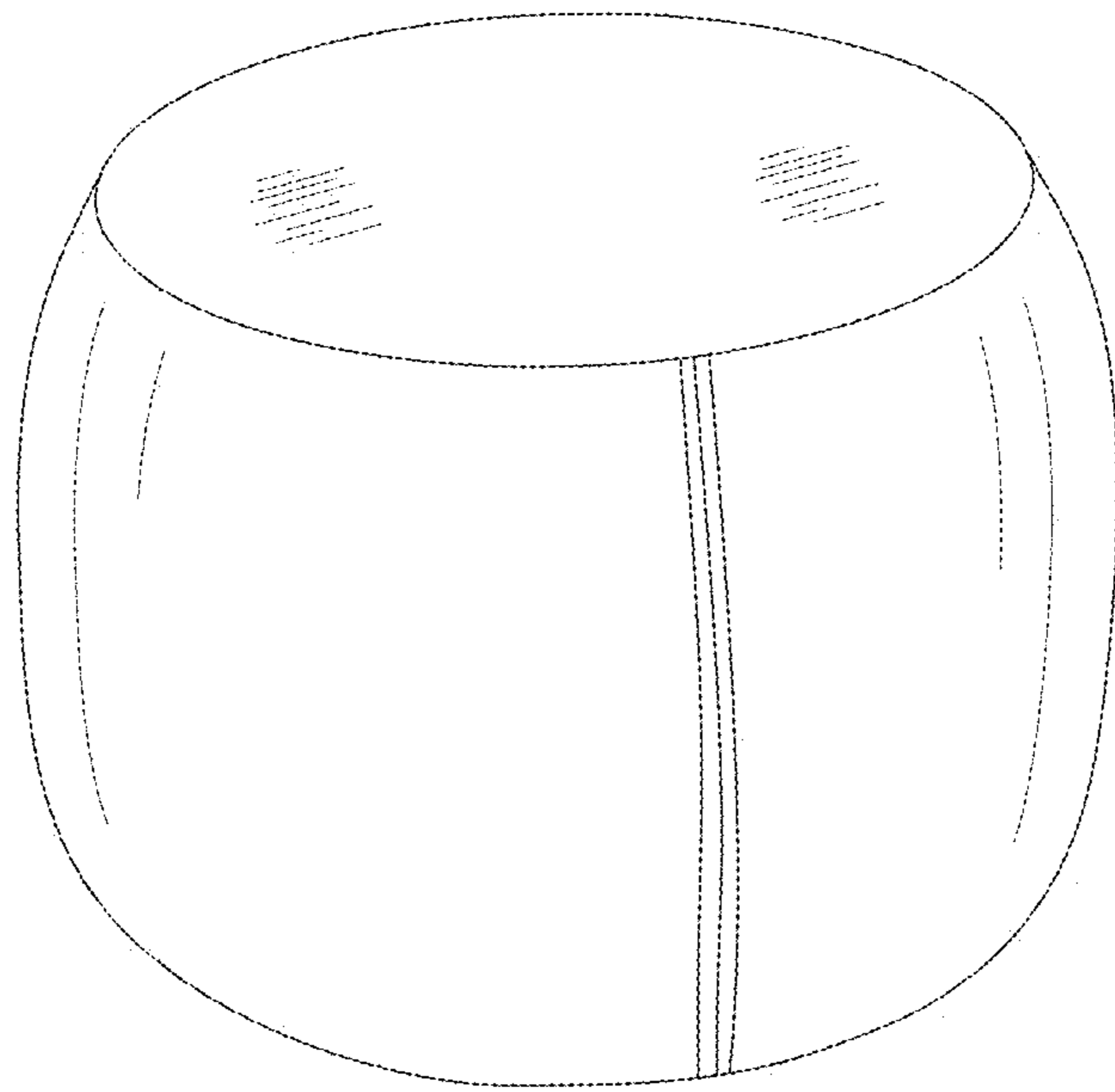


Fig 7