



US00D881591S

(12) **United States Design Patent** (10) **Patent No.:** **US D881,591 S**
Özkal et al. (45) **Date of Patent:** **** Apr. 21, 2020**

(54) **WHEELED MUSEUM CHAIR FOR CHILDREN**

(56) **References Cited**

(71) Applicants: **Özlem Özkal**, Çekmeköy Istanbul (TR); **Arzu Ozkal**, San Diego, CA (US); **Nanette Yannuzzi**, Lakewood, OH (US)

(72) Inventors: **Özlem Özkal**, Çekmeköy Istanbul (TR); **Arzu Ozkal**, San Diego, CA (US); **Nanette Yannuzzi**, Lakewood, OH (US)

(**) Term: **15 Years**

(21) Appl. No.: **29/662,579**

(22) Filed: **Sep. 6, 2018**

(51) **LOC (12) Cl.** **06-01**

(52) **U.S. Cl.**
USPC **D6/339**

(58) **Field of Classification Search**
USPC D6/333-336, 339, 344, 702, 716, D6/716.1-716.7; 297/183.1-183.4, 297/184.13, 184.15, 184.17, 250.1, 255, 297/256.1, 256.15, 219.12, 463.1; D12/129-130, 133; D21/412, 428, 419; 280/30-31; 5/94, 98.1, 99.1, 101-102, 5/105, 655, 93.1, 12.1; 24/200
CPC A47D 13/02; A47D 13/10; A47D 13/083; A47D 1/00; A47D 1/002; A47D 1/004; A47D 1/008; A47D 1/04; B60N 2/22; B60N 2/24; B60N 2/2821; B60N 2/02; B60N 2/10; B60N 2/16; B60N 2002/0212; B60N 2002/0216; B60N 2002/022; A47C 3/00; A47C 3/02; A47C 3/025; A47C 3/20

See application file for complete search history.

U.S. PATENT DOCUMENTS

D386,911 S *	12/1997	Perego	D6/339
D618,925 S *	7/2010	Fiore, Jr.	D6/339
D683,143 S *	5/2013	Gold	D6/339
D699,955 S *	2/2014	Chen	D6/339
D779,842 S *	2/2017	Chuah	D6/339
D839,616 S *	2/2019	Yang	D6/339
D865,382 S *	11/2019	von Bergen	D6/339
D867,773 S *	11/2019	Wang	D6/339

* cited by examiner

Primary Examiner — Abraham Bahta

(74) *Attorney, Agent, or Firm* — Norris McLaughlin, P.A.

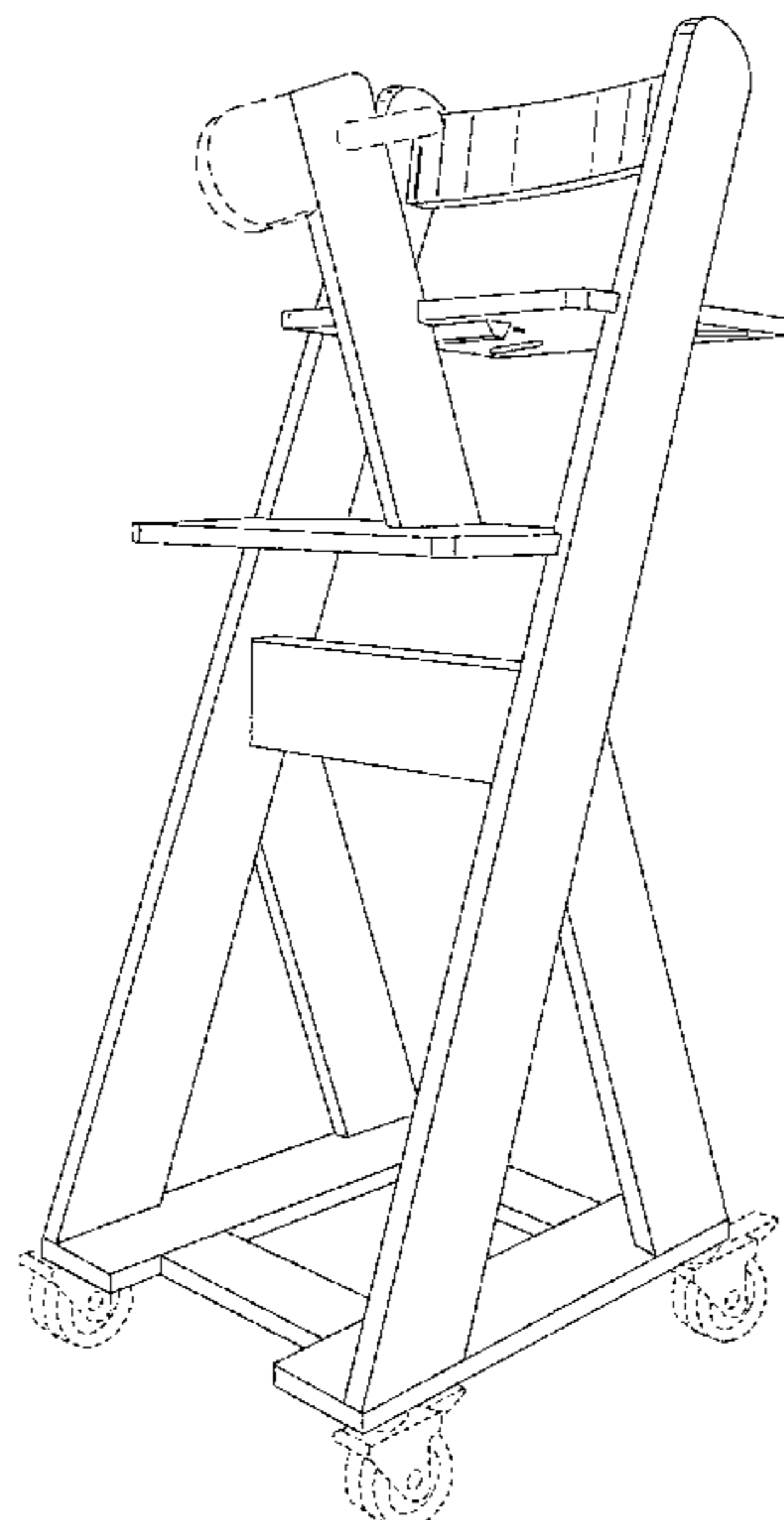
(57) **CLAIM**

The ornamental design for a wheeled museum chair for children, as shown and described.

DESCRIPTION

FIG. 1 is a plan view of a first embodiment of our wheeled museum chair for children;
FIG. 2 is a rear plan view thereof;
FIG. 3 is a left side view thereof;
FIG. 4 is right side view thereof;
FIG. 5 is a top view thereof;
FIG. 6 is a left front perspective view thereof;
FIG. 7 is a rear elevated perspective view thereof;
FIG. 8 is a front plan view of a second embodiment of the wheeled museum chair for children;
FIG. 9 is a rear elevated side view thereof;
FIG. 10 is a left side view thereof;
FIG. 11 is a right side view thereof;
FIG. 12 is a top view thereof;
FIG. 13 is a left-front perspective view thereof; and,
FIG. 14 is a rear elevated perspective view thereof.
The broken lines shown are for illustrative purposes only, and form no part of the claimed design.

1 Claim, 12 Drawing Sheets



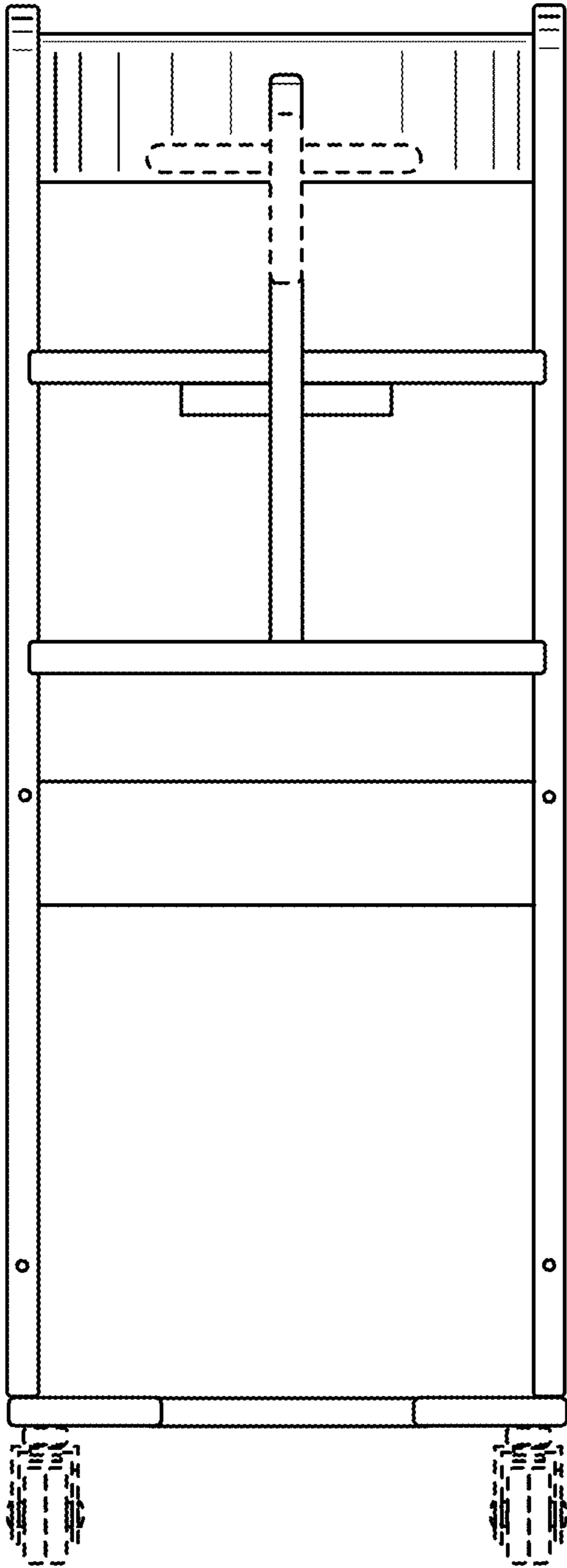


FIG. 1

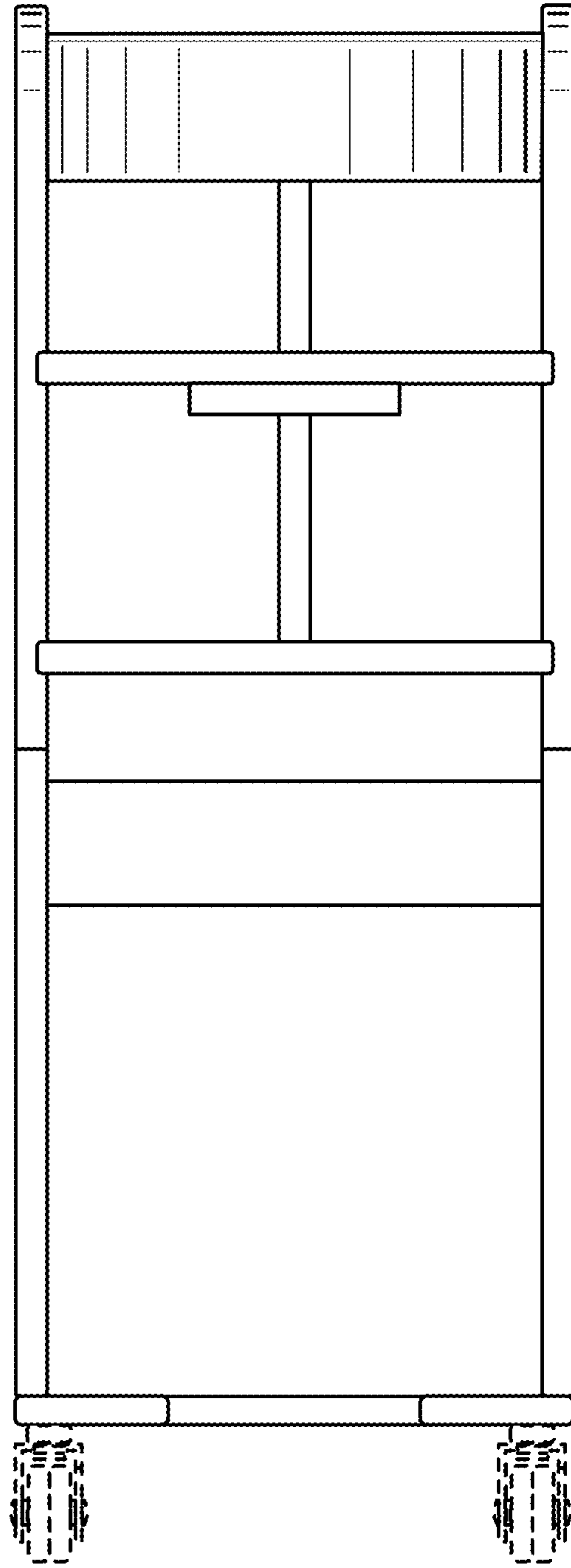


FIG. 2

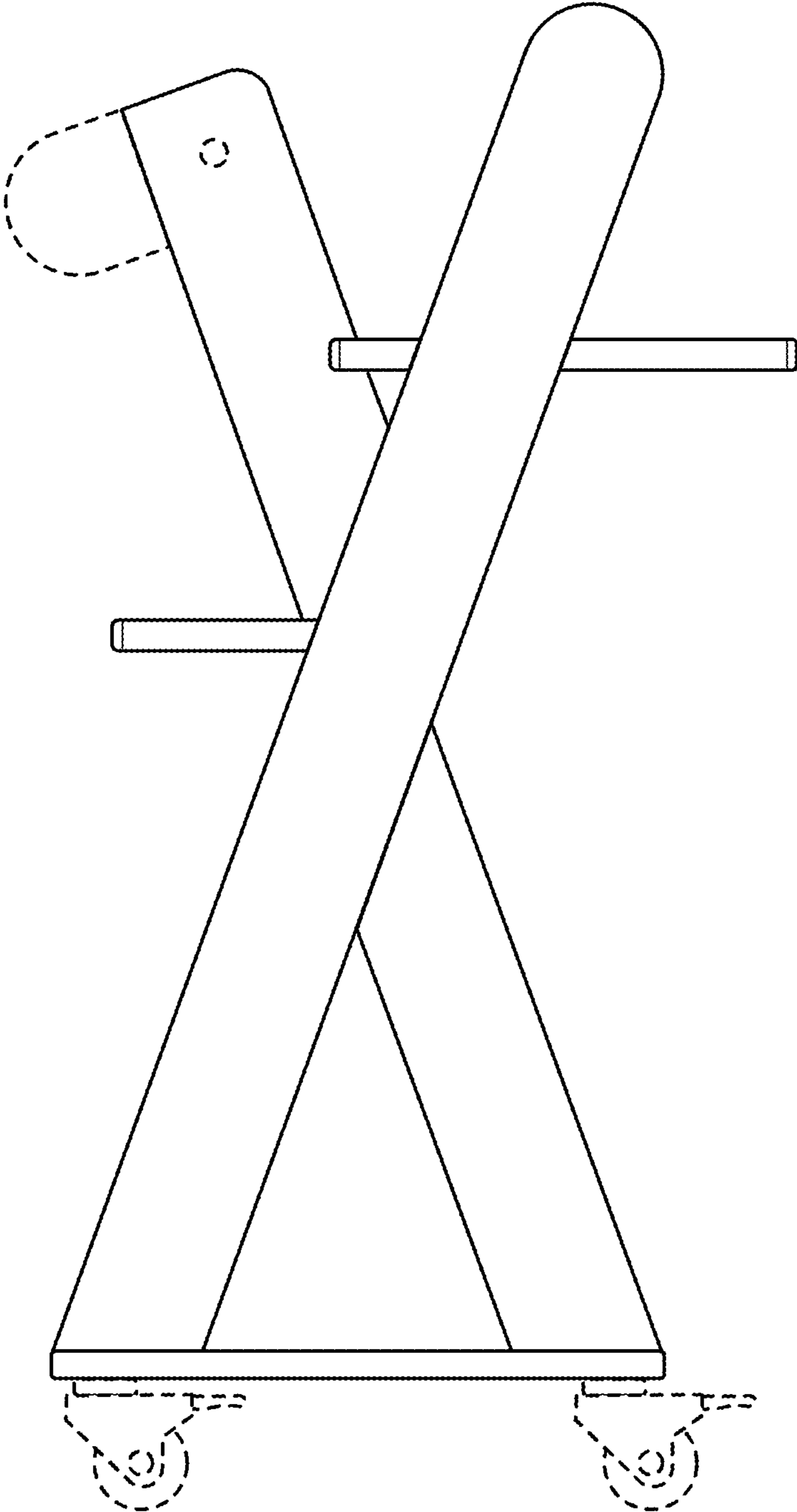


FIG. 3

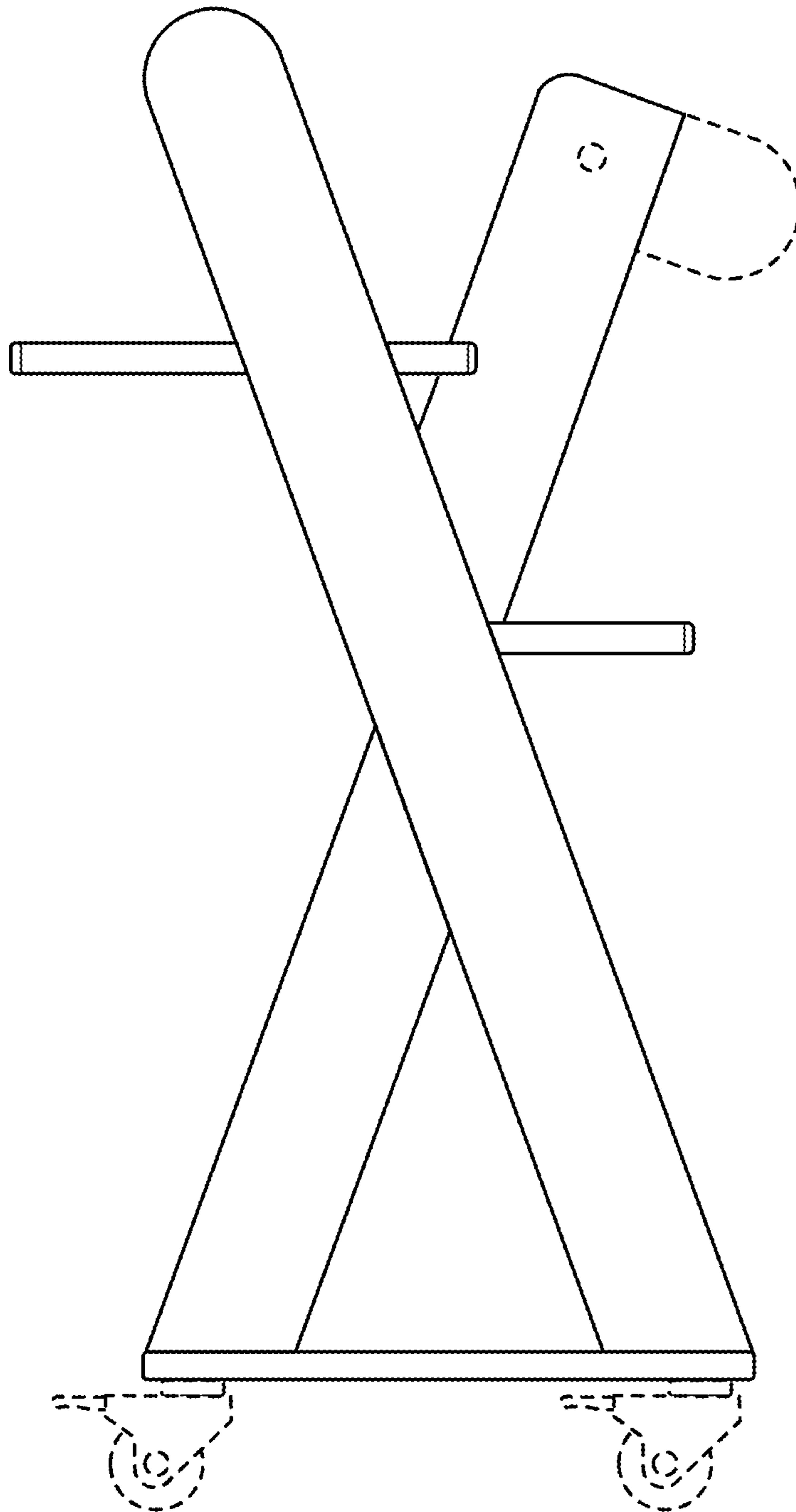


FIG. 4

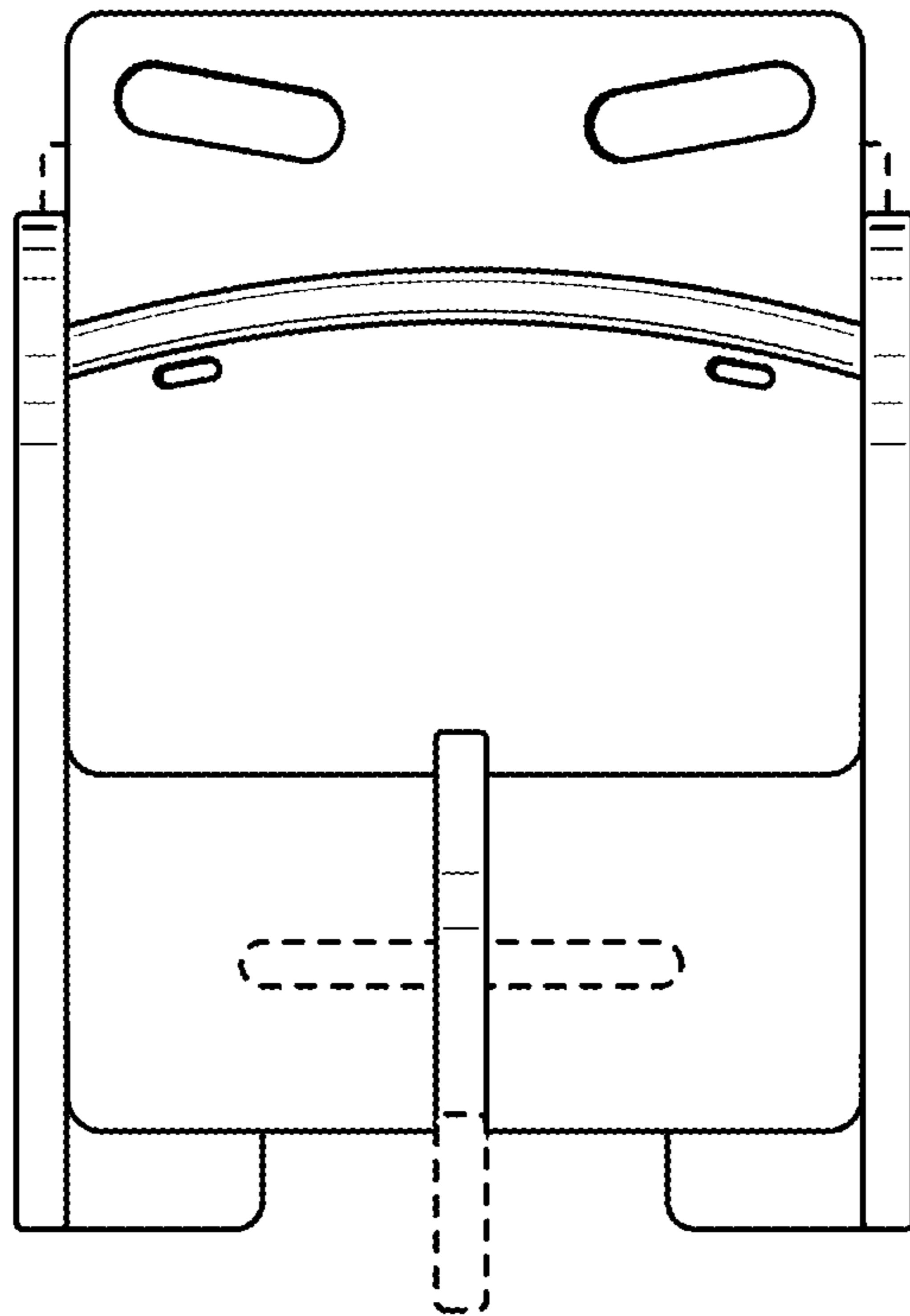


FIG. 5

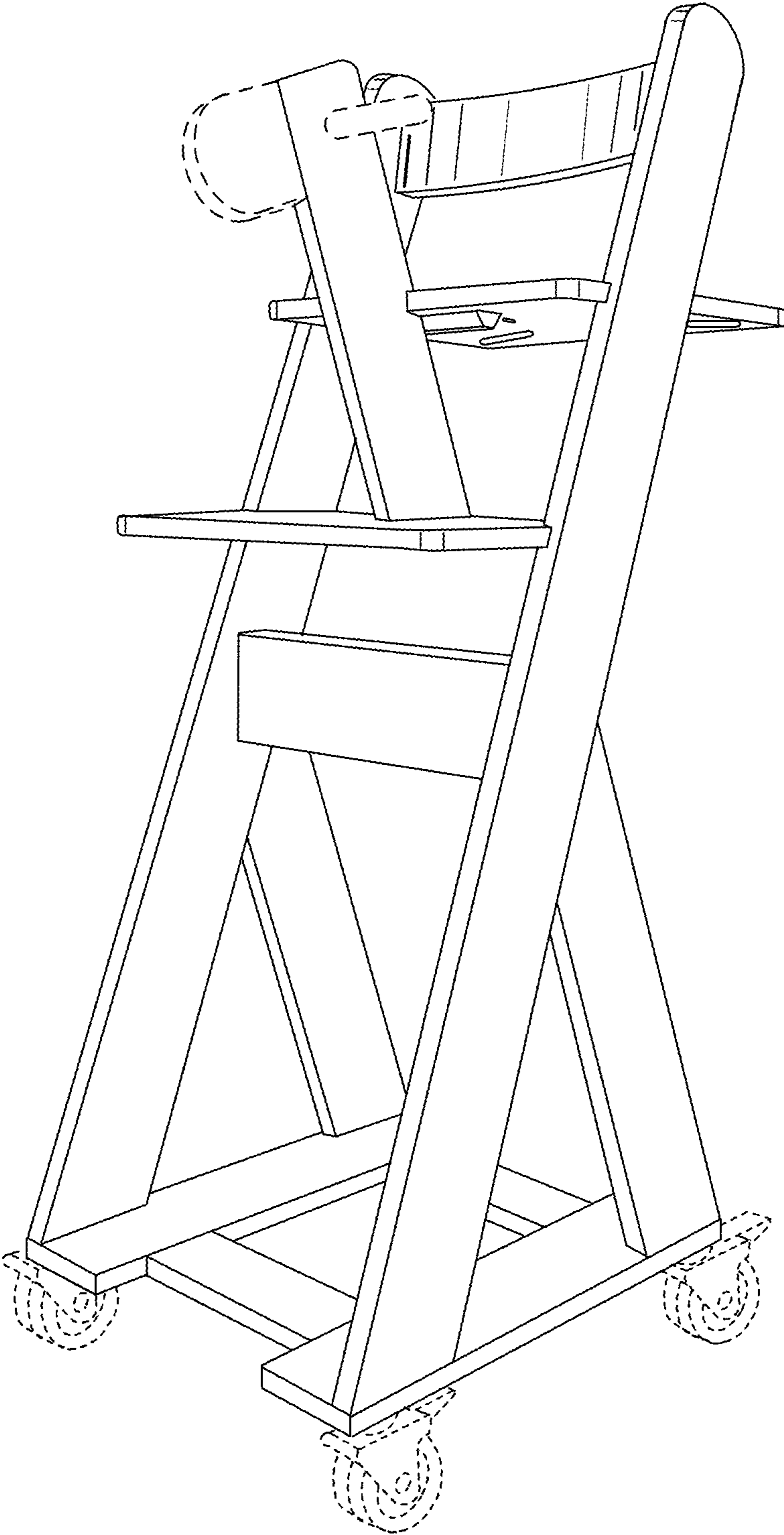


FIG. 6

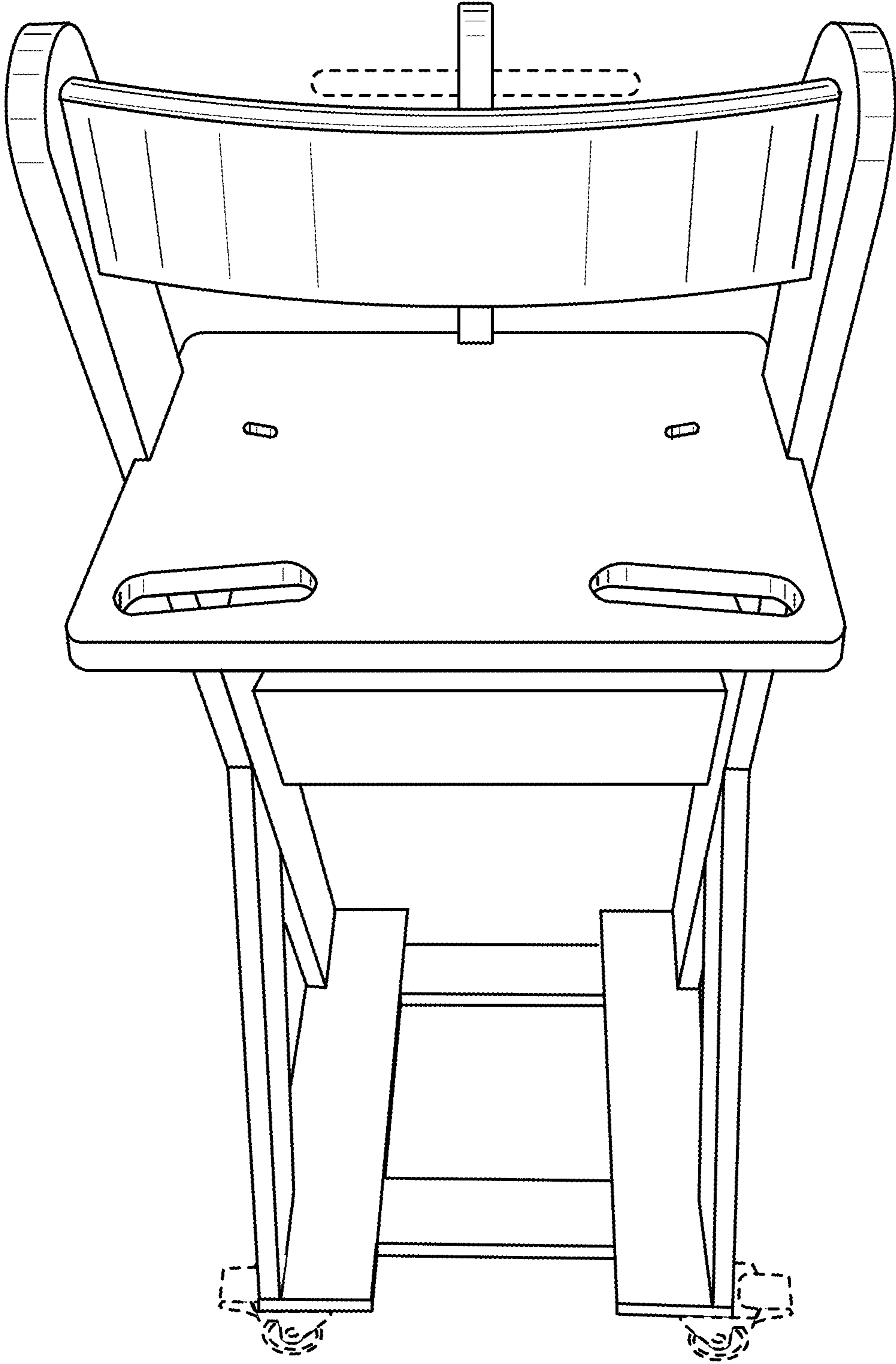


FIG. 7

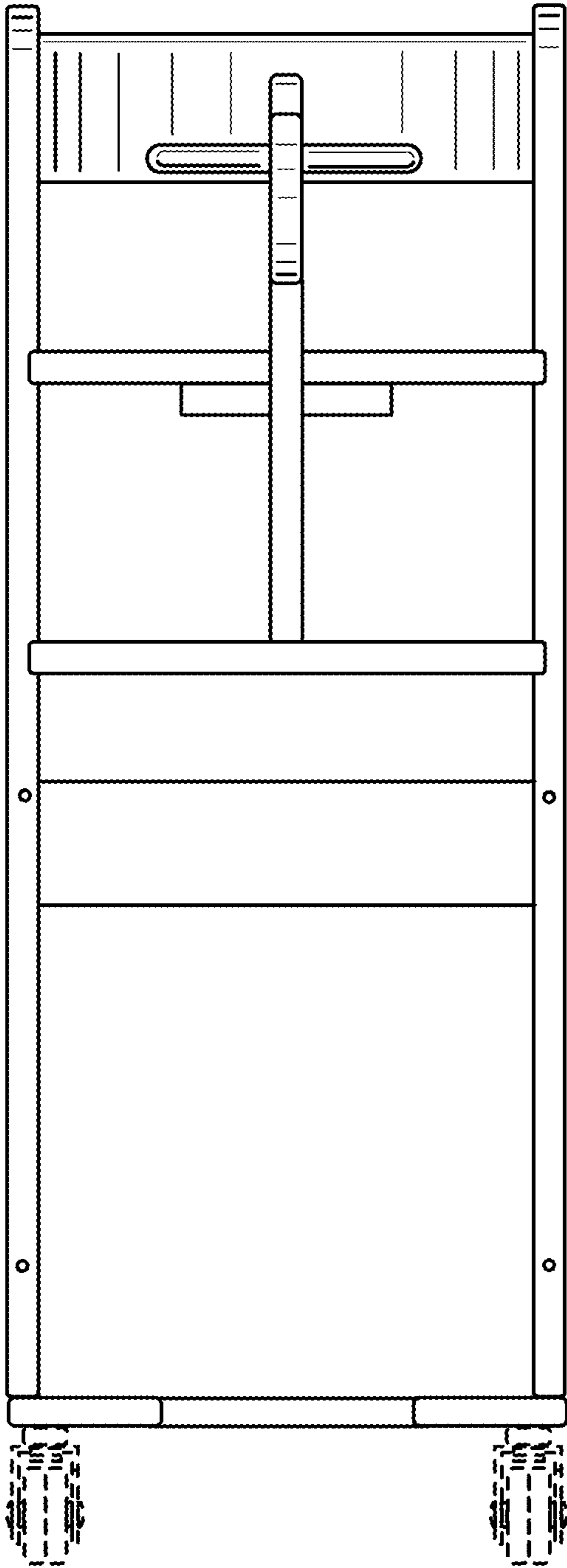


FIG. 8

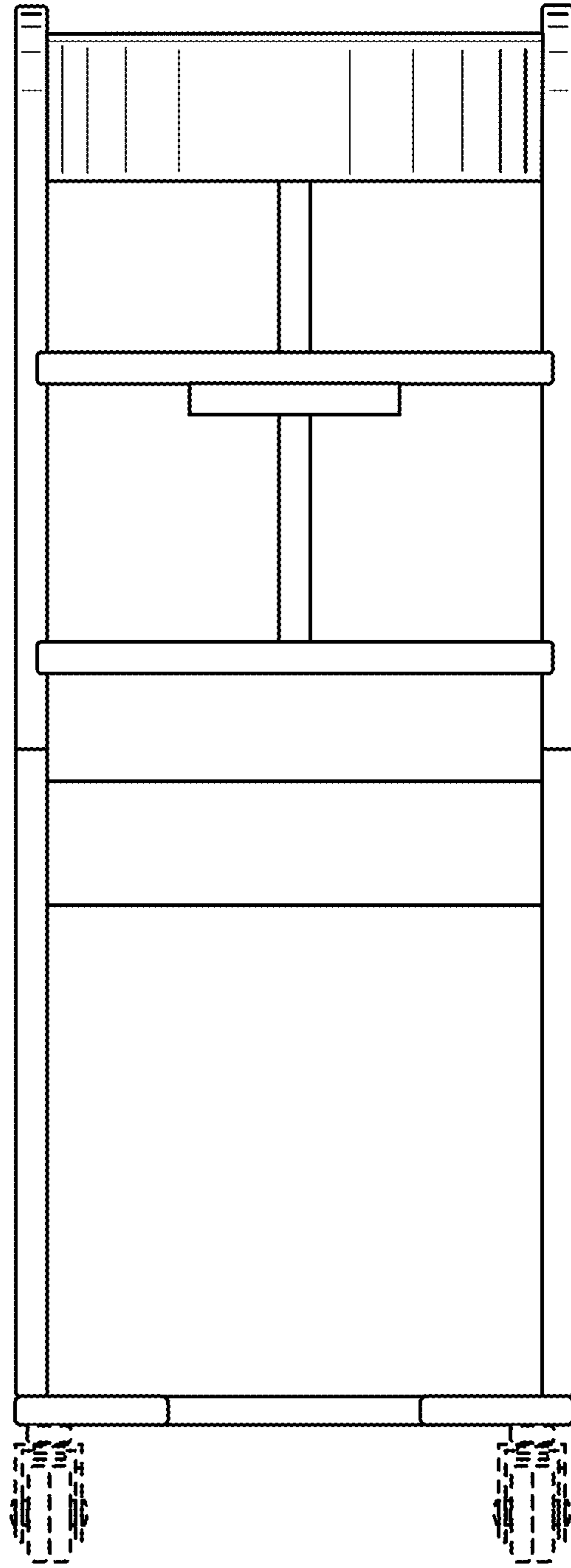


FIG. 9

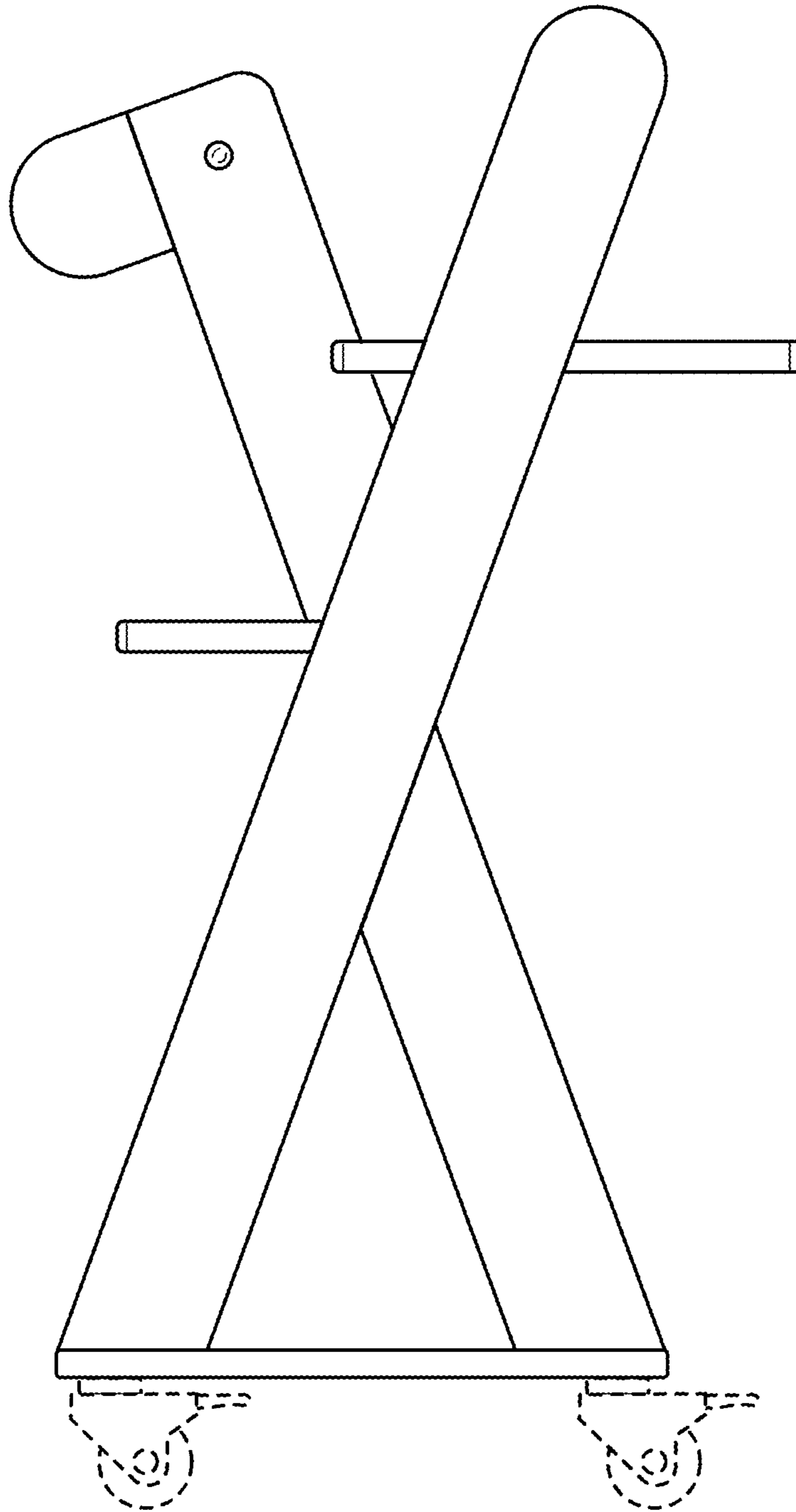


FIG. 10

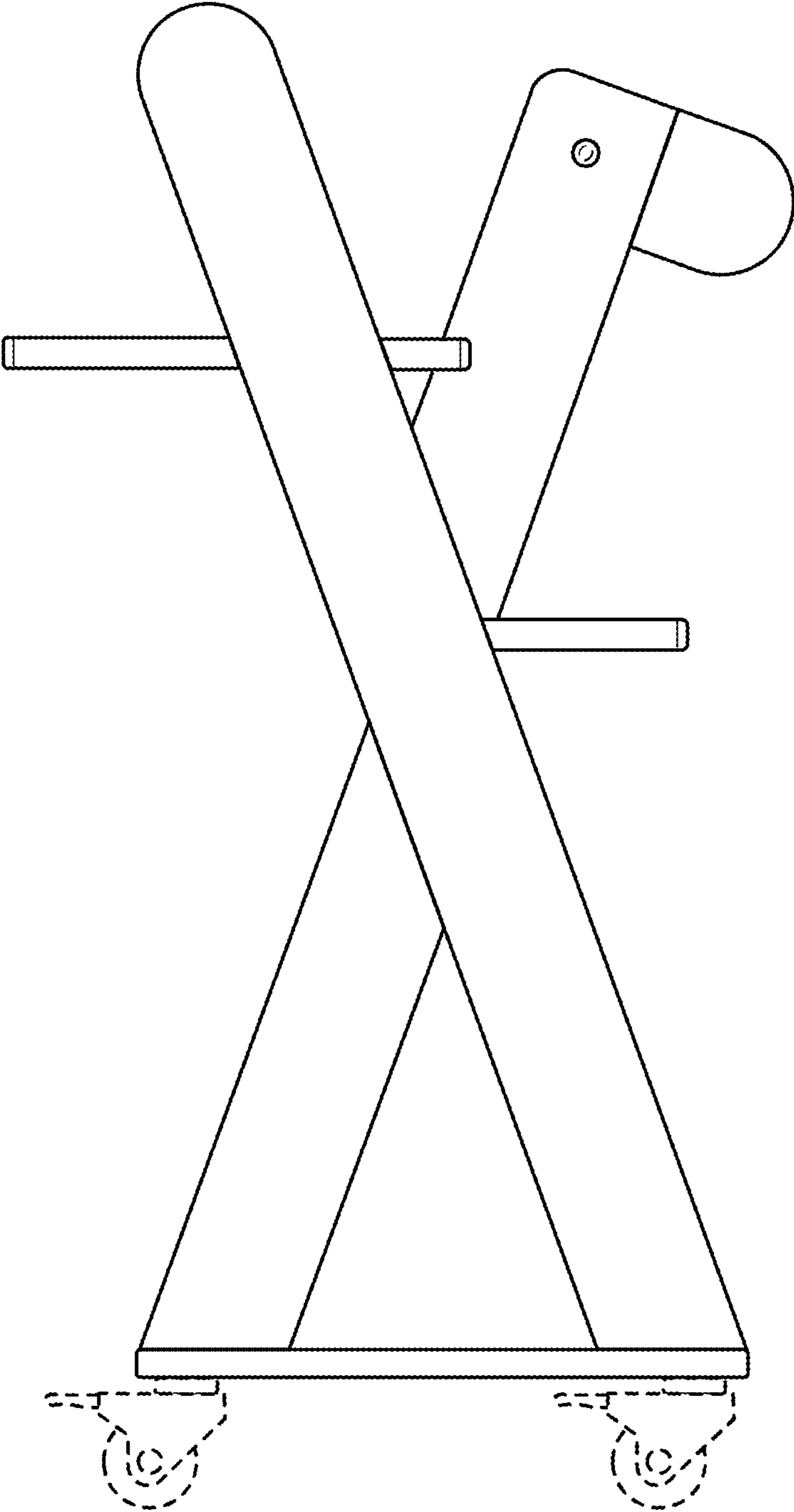


FIG. 11

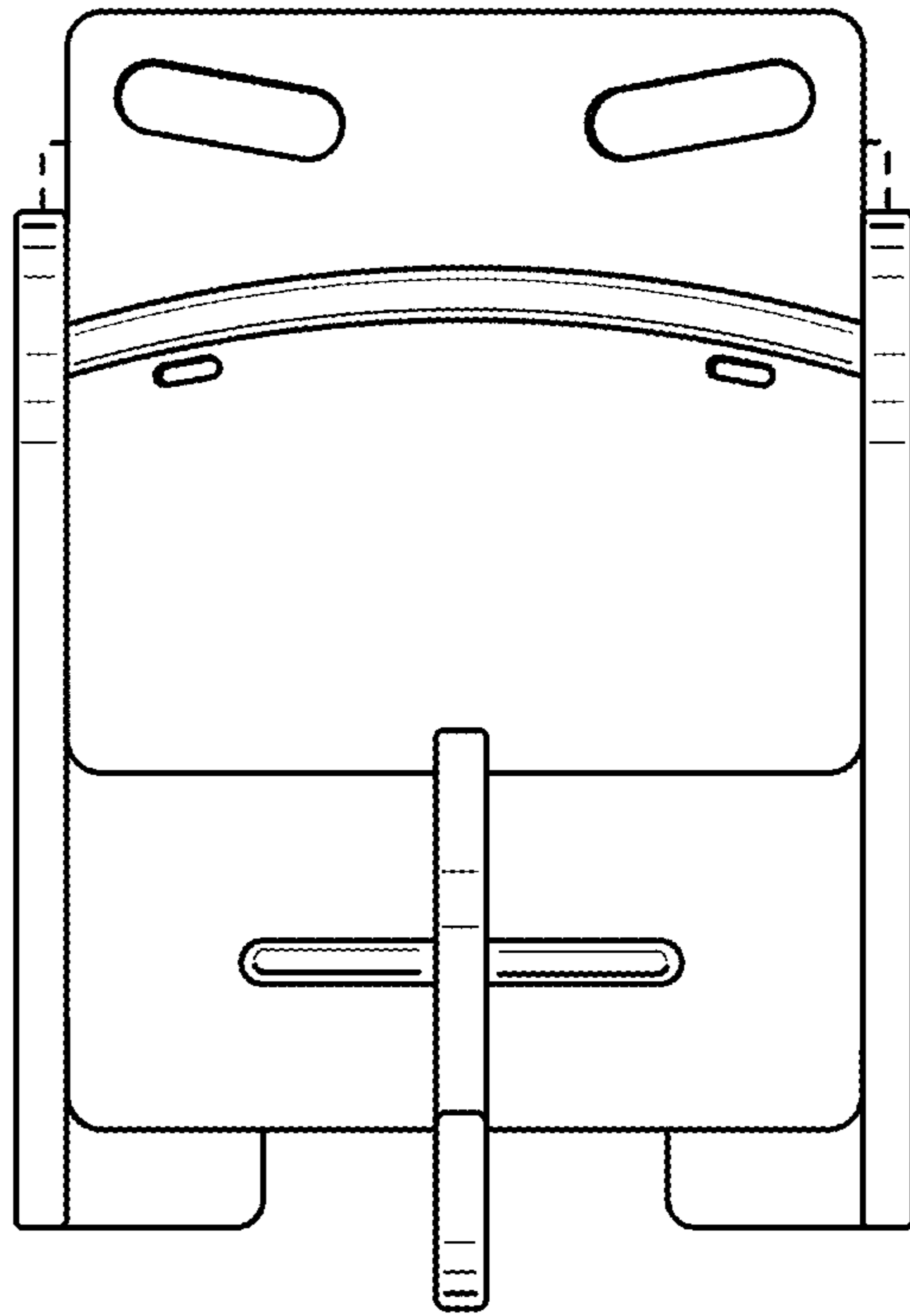


FIG. 12

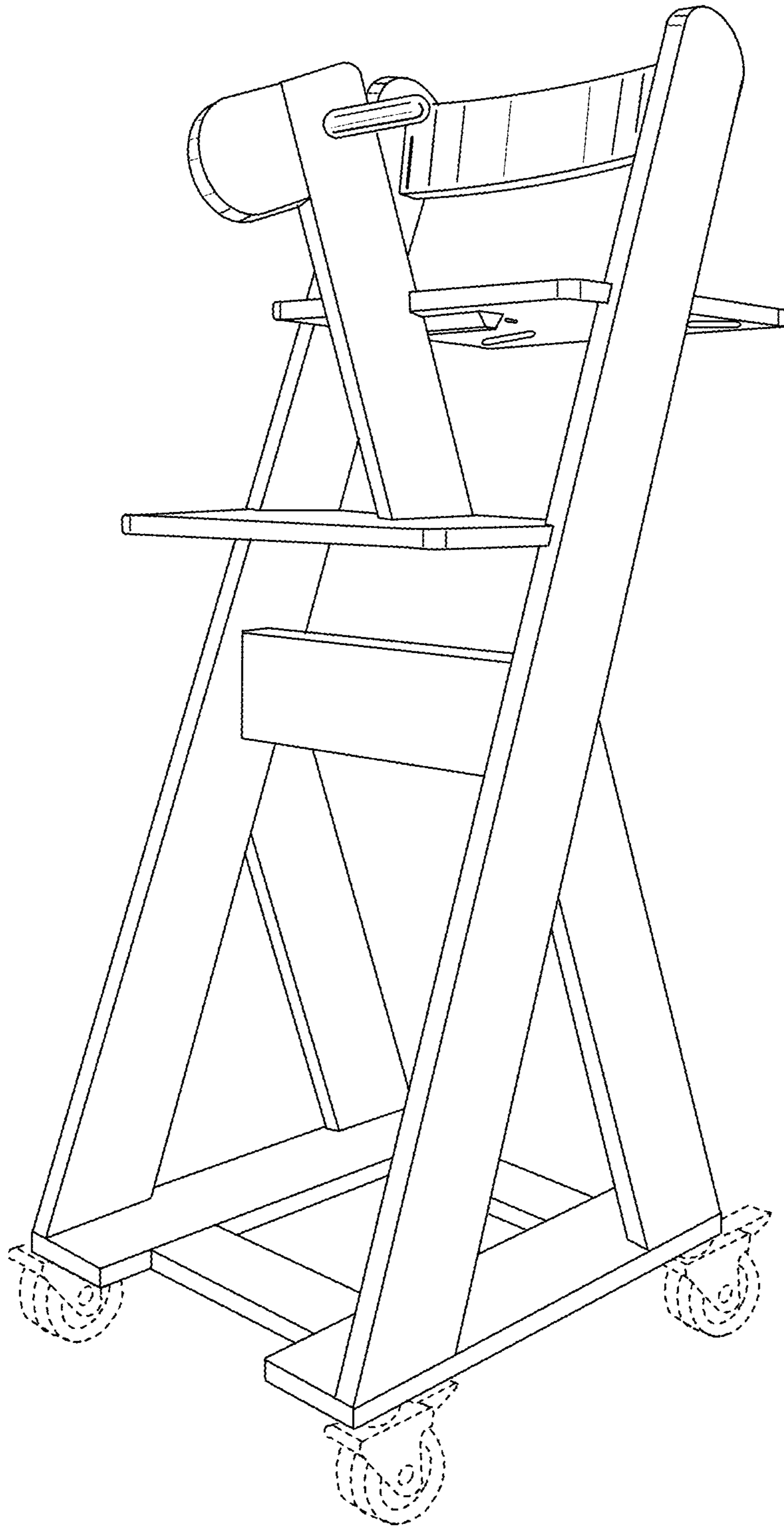


FIG. 13

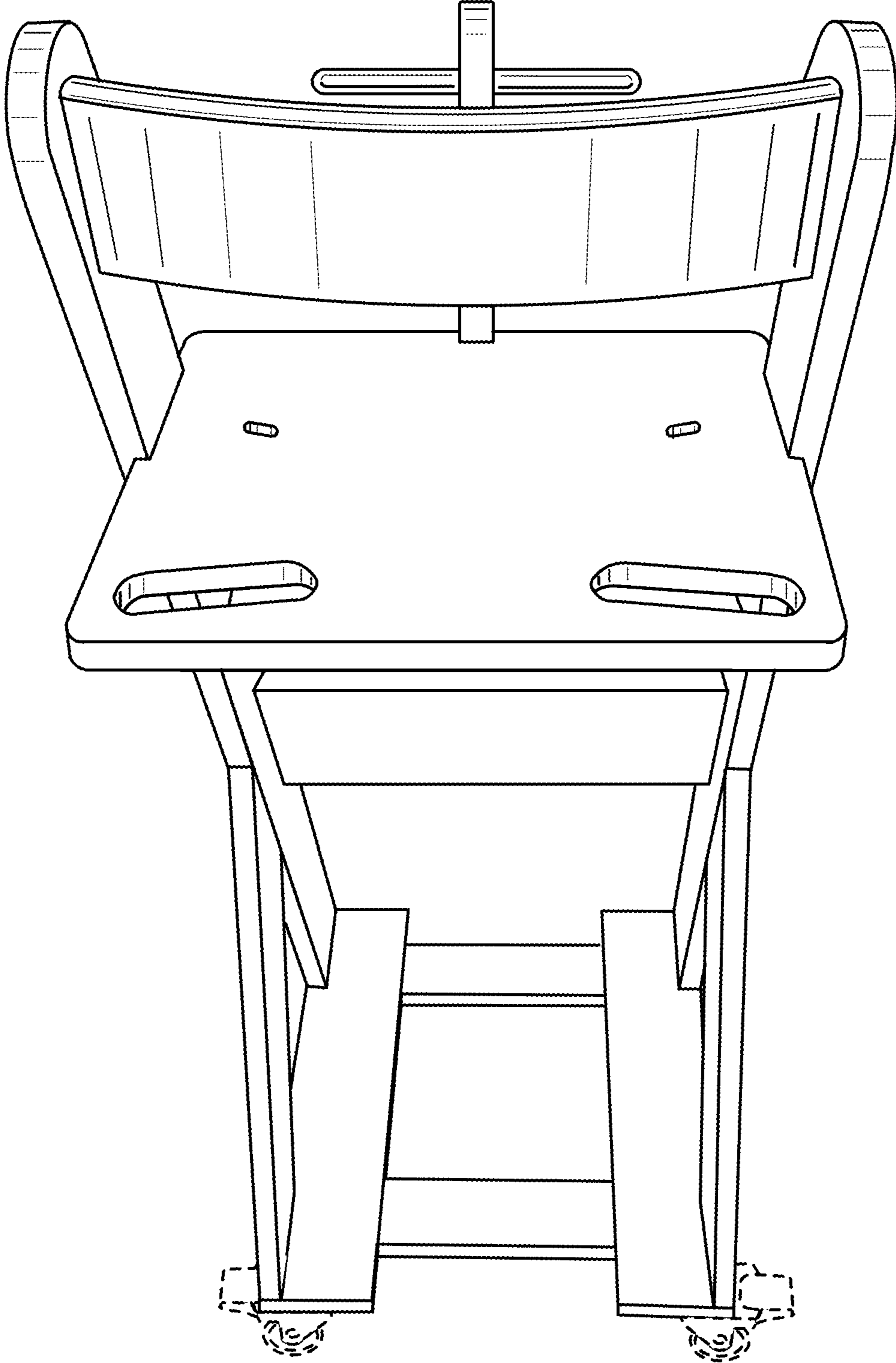


FIG. 14